



US00D388503S

# United States Patent [19] Fountain

[11] Patent Number: **Des. 388,503**

[45] Date of Patent: **\*\*Dec. 30, 1997**

[54] **RUBBER RAFT AIR MATTRESS PUMP ADAPTOR**

4,869,371 9/1989 Dickinson et al. .... 417/238  
5,291,992 3/1994 Olivetti ..... 206/223

[76] Inventor: **Chris Fountain, 756 Panther La., South Lake Tahoe, Calif. 96150**

*Primary Examiner*—Alan P. Douglas  
*Assistant Examiner*—Robin V. Taylor  
*Attorney, Agent, or Firm*—Harold H. Dutton, Jr.

[\*\*] Term: **14 Years**

[57] **CLAIM**

[21] Appl. No.: **58,530**

The ornamental design for a rubber raft air mattress pump adaptor, as shown.

[22] Filed: **Aug. 16, 1996**

**DESCRIPTION**

[51] LOC (6) Cl. .... **15-02**

[52] U.S. Cl. .... **D23/231**

[58] Field of Search ..... D23/231; 251/349, 251/350, 351, 352, 149.1; 152/415, 416; 417/236, 238; 206/223, 522

FIG. 1 is a exploded perspective view of a rubber raft air mattress pump adaptor showing my new design;

FIG. 2 is a top view thereof;

FIG. 3 is a bottom view thereof;

FIG. 4 is a front view thereof;

FIG. 5 is a rear view thereof;

FIG. 6 is a right side view thereof; and,

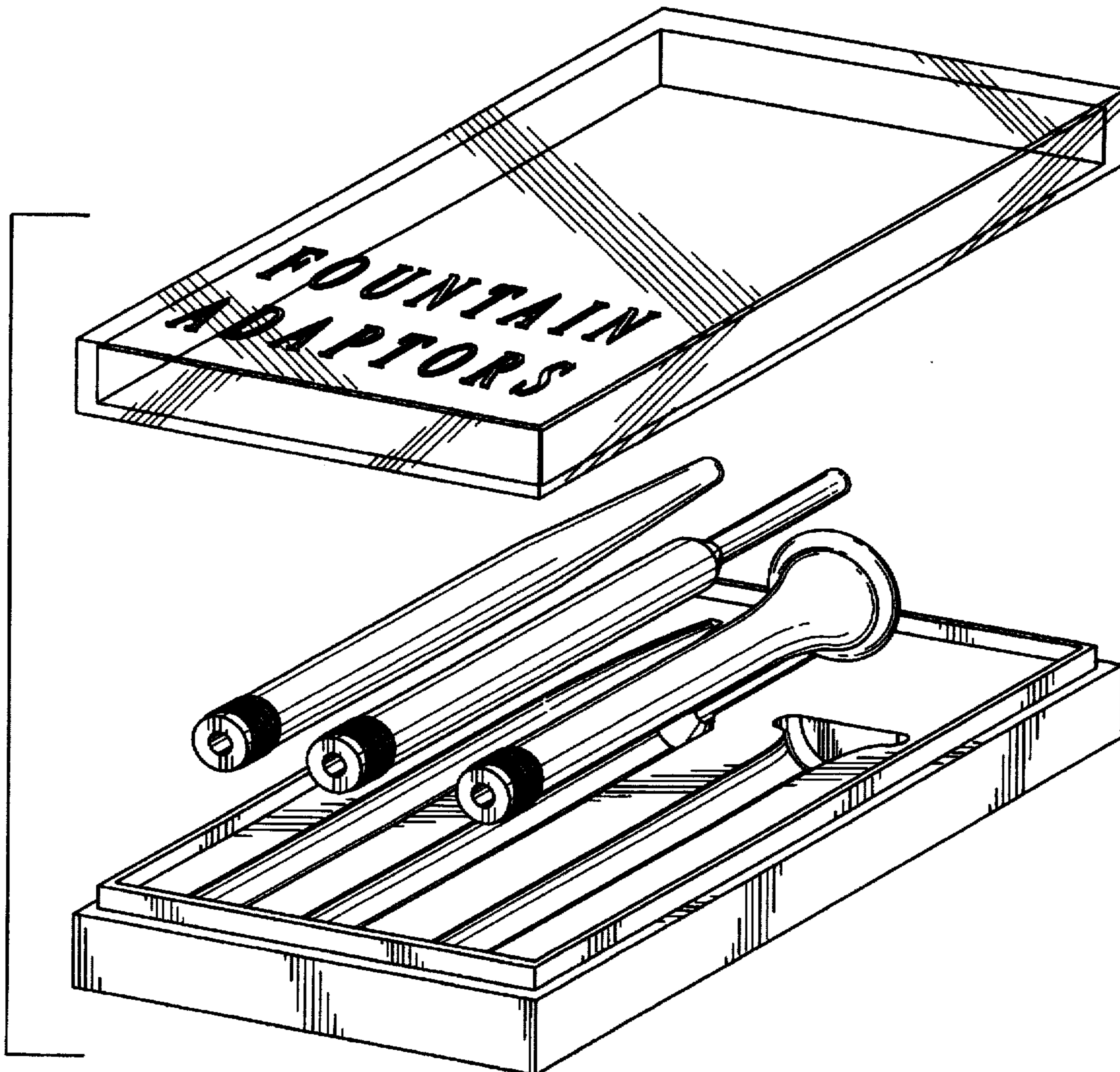
FIG. 7 is a left side view thereof.

[56] **References Cited**

**U.S. PATENT DOCUMENTS**

D. 281,349 11/1985 Goldish ..... D23/223  
2,573,375 10/1951 Winstead ..... D23/231  
4,178,643 12/1979 Cox ..... 251/349

**1 Claim, 5 Drawing Sheets**



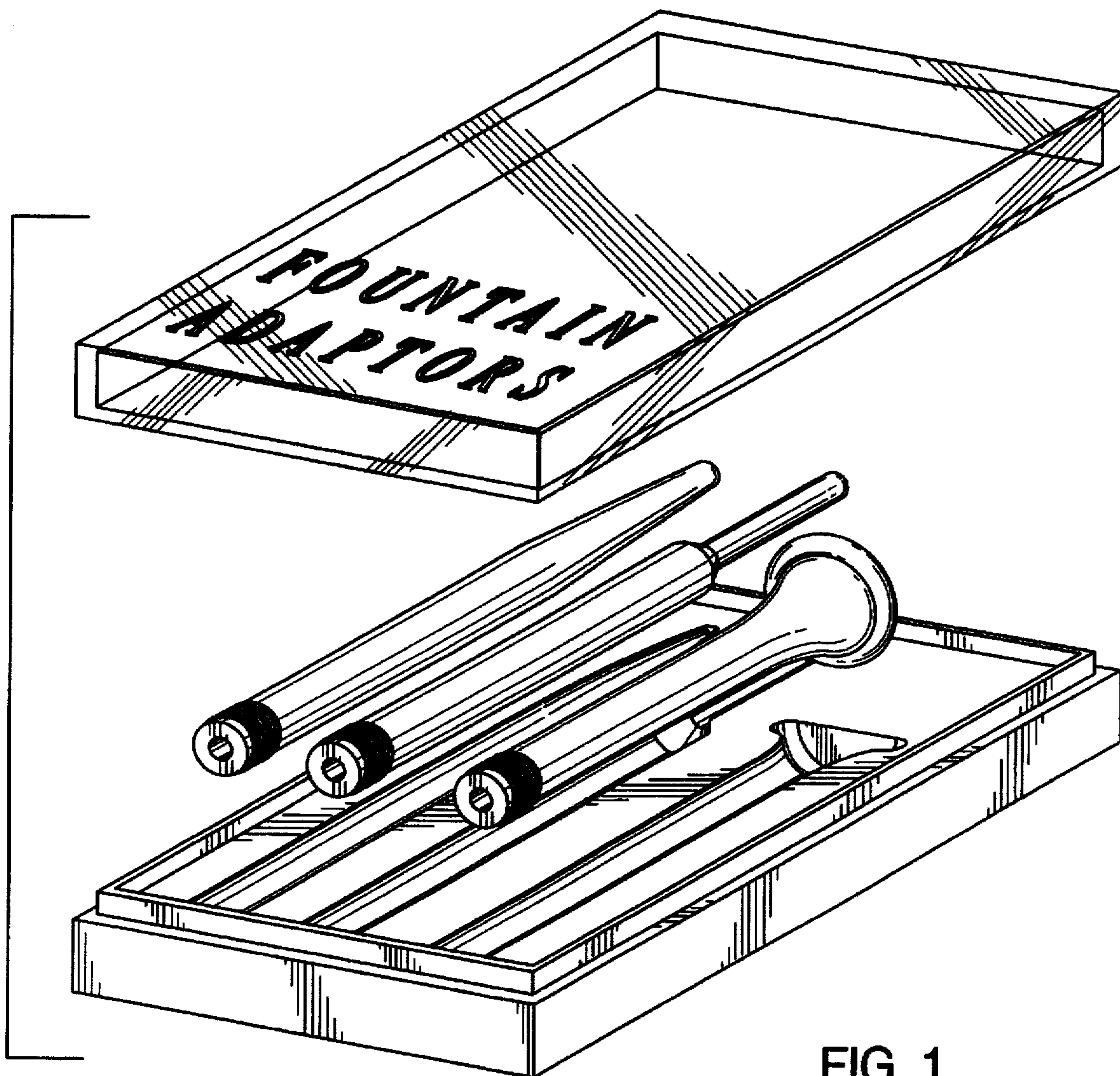


FIG. 1

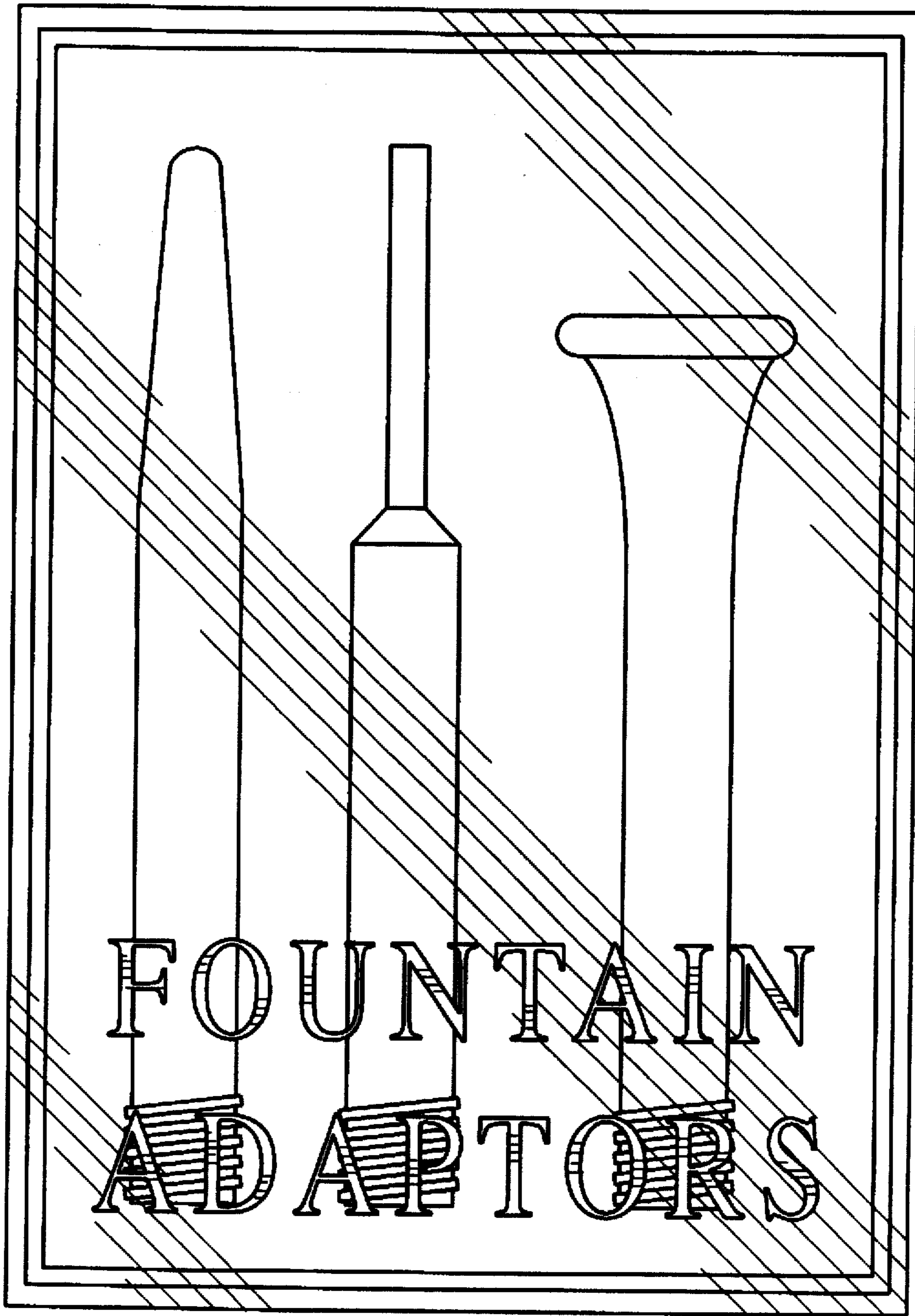


FIG. 2

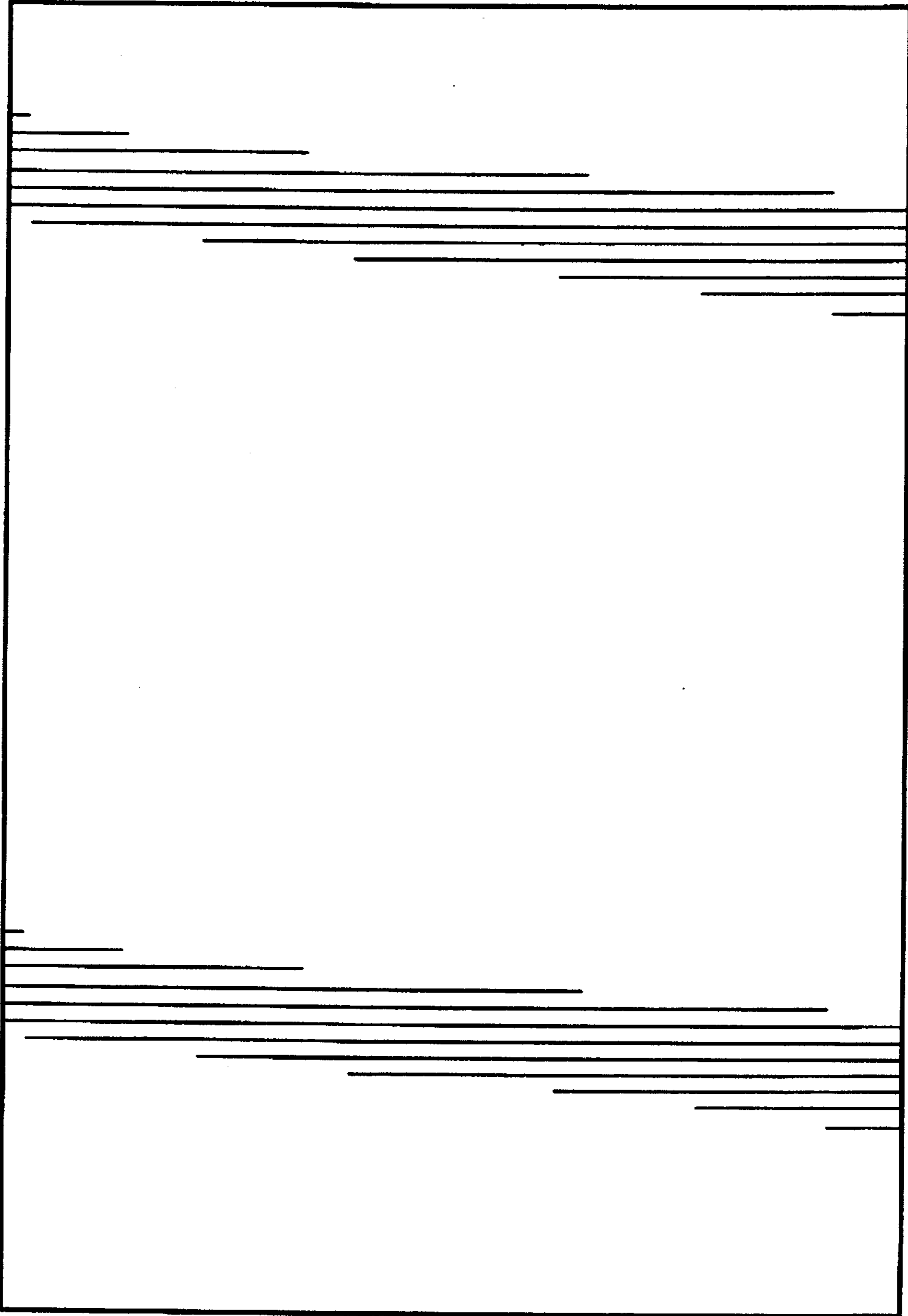


FIG. 3

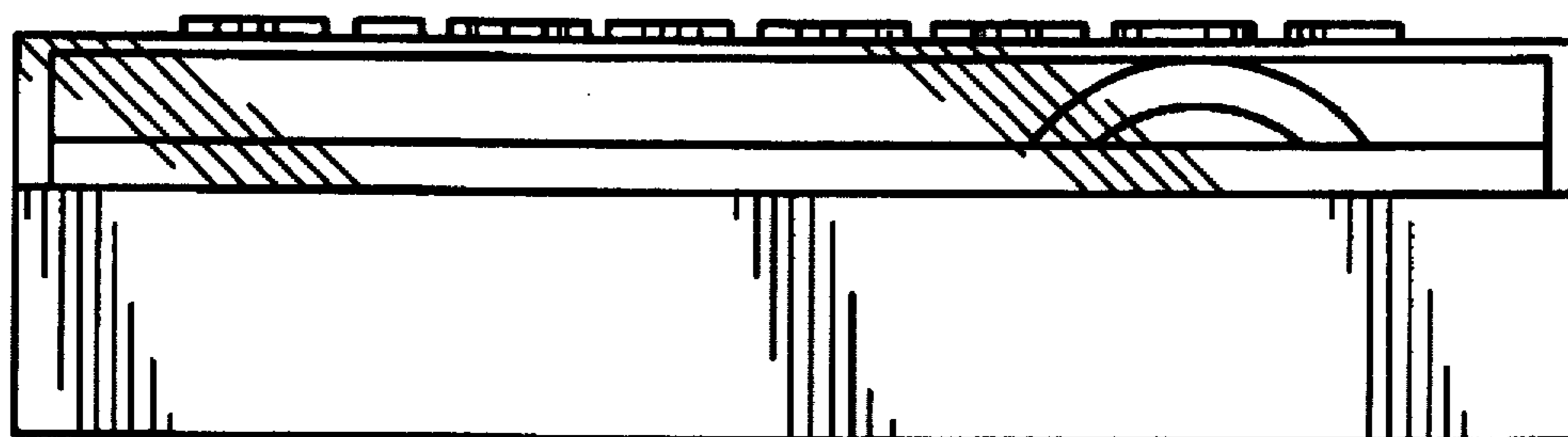


FIG. 4

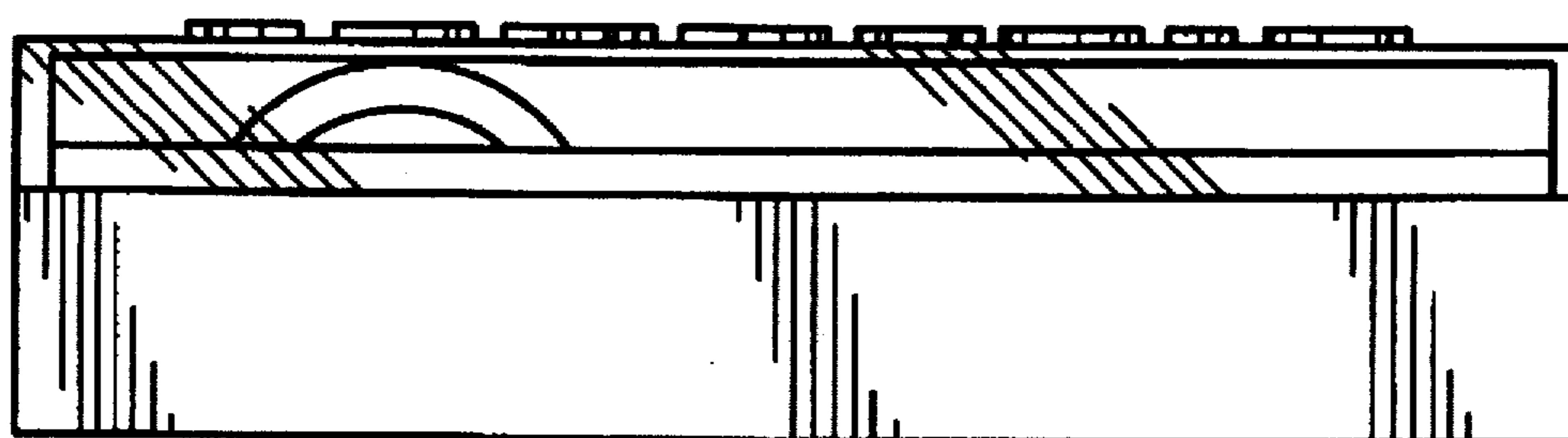


FIG. 5

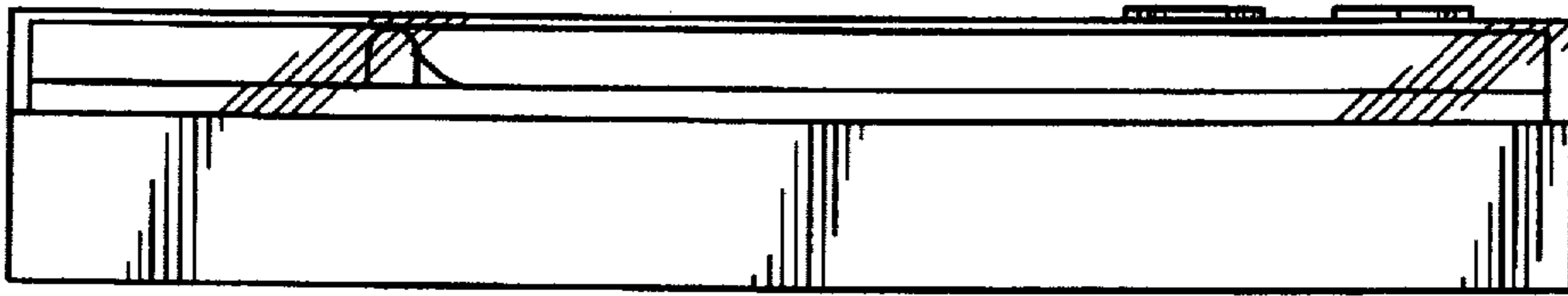


FIG. 6

FIG. 7

