



US00D388500S

United States Patent [19]

Burchard et al.

[11] Patent Number: **Des. 388,500**

[45] Date of Patent: ****Dec. 30, 1997**

[54] **WATER FILTER CARTRIDGE**

[75] Inventors: **Thomas H. Burchard**, Winchester, Mass.; **Youngmihm Kim**, Lexington, both of Mass.; **Daniel C. Buchner**, Lorain, Ohio

[73] Assignee: **Moen Incorporated**, North Olmsted, Ohio

[**] Term: **14 Years**

[21] Appl. No.: **63,181**

[22] Filed: **Dec. 2, 1996**

[51] LOC (6) Cl. **23-01**

[52] U.S. Cl. **D23/209**

[58] Field of Search D23/200, 207, D23/209; 210/263, 264, 282, 341, 435, 464, 459, 460

[56] **References Cited**

U.S. PATENT DOCUMENTS

- D. 93,310 11/1934 Camp D23/209
- D. 252,524 7/1979 Lewis D23/207

- D. 265,227 6/1982 Jolley D23/207
- D. 351,892 10/1994 Wolf et al. D23/207
- 3,950,253 4/1976 Stern 210/282
- 5,344,558 9/1994 Kool 210/282

Primary Examiner—Alan P. Douglas
Assistant Examiner—Robin V. Taylor
Attorney, Agent, or Firm—Dorn, McEachran, Jambor & Keating

[57] **CLAIM**

The ornamental design for a water filter cartridge, as shown and described.

DESCRIPTION

FIG. 1 is a front perspective view of our new design for a water filter cartridge;
FIG. 2 is a rear perspective view thereof;
FIG. 3 is a front view thereof;
FIG. 4 is a rear view thereof;
FIG. 5 is a top view thereof, the bottom being a mirror image of the top;
FIG. 6 is a right side view thereof; and,
FIG. 7 is a left side view thereof.

1 Claim, 1 Drawing Sheet

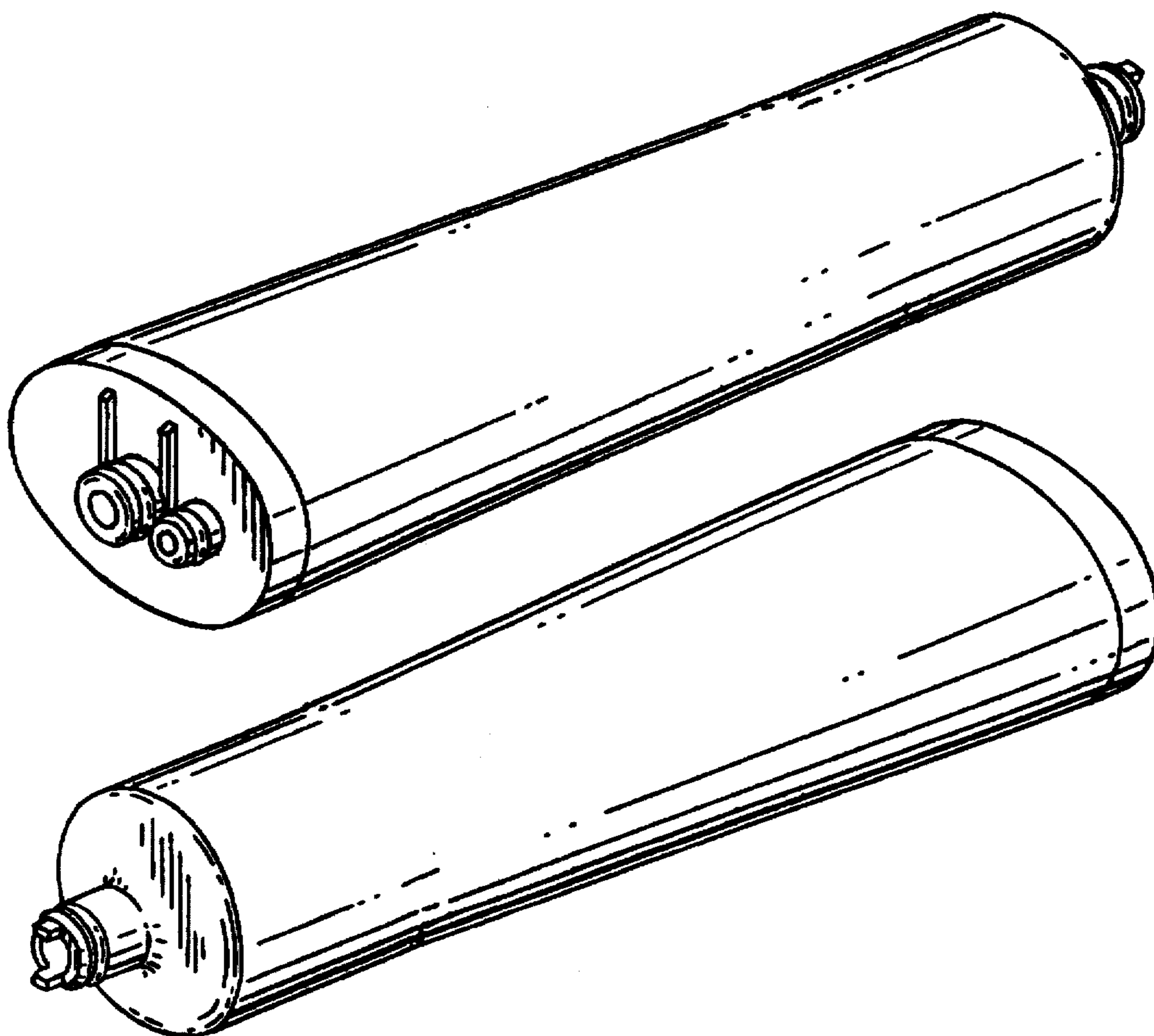


FIG. 3.

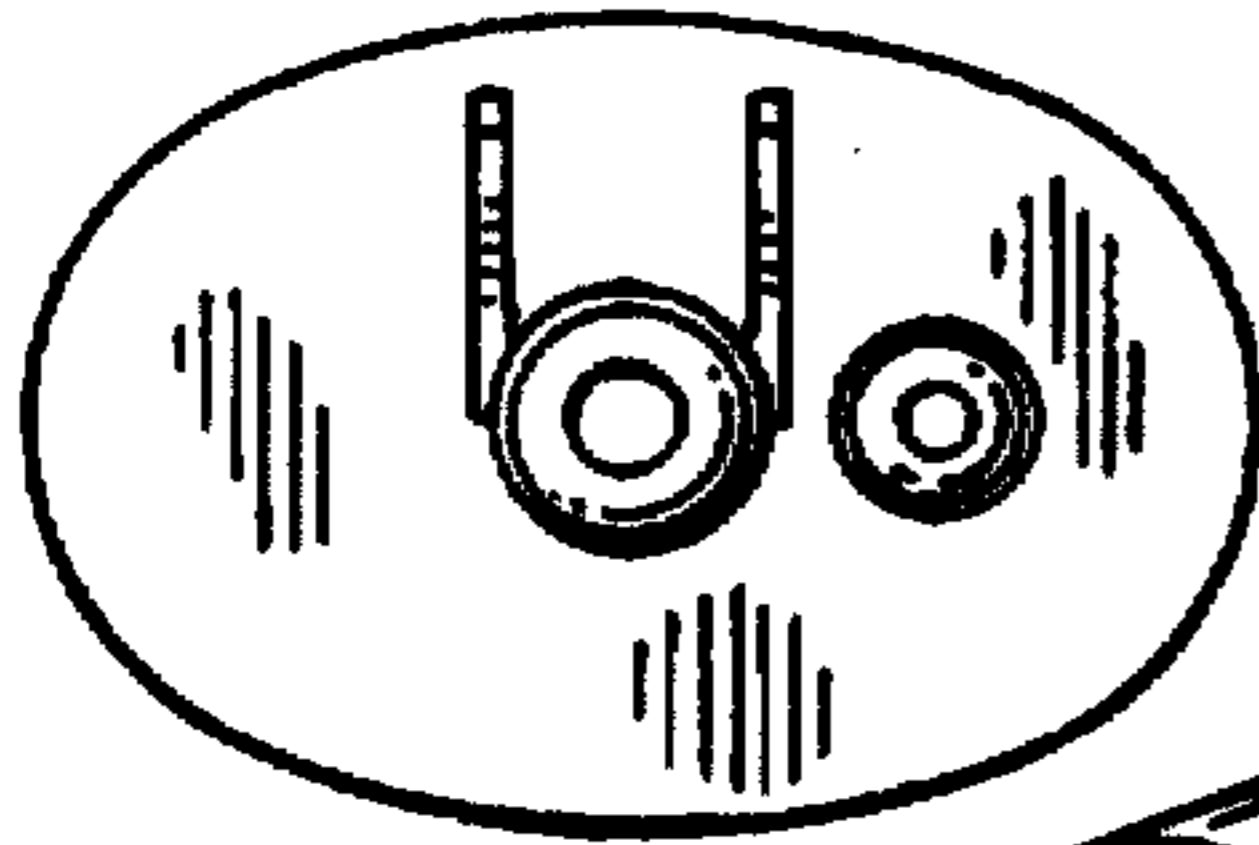


FIG. 1.

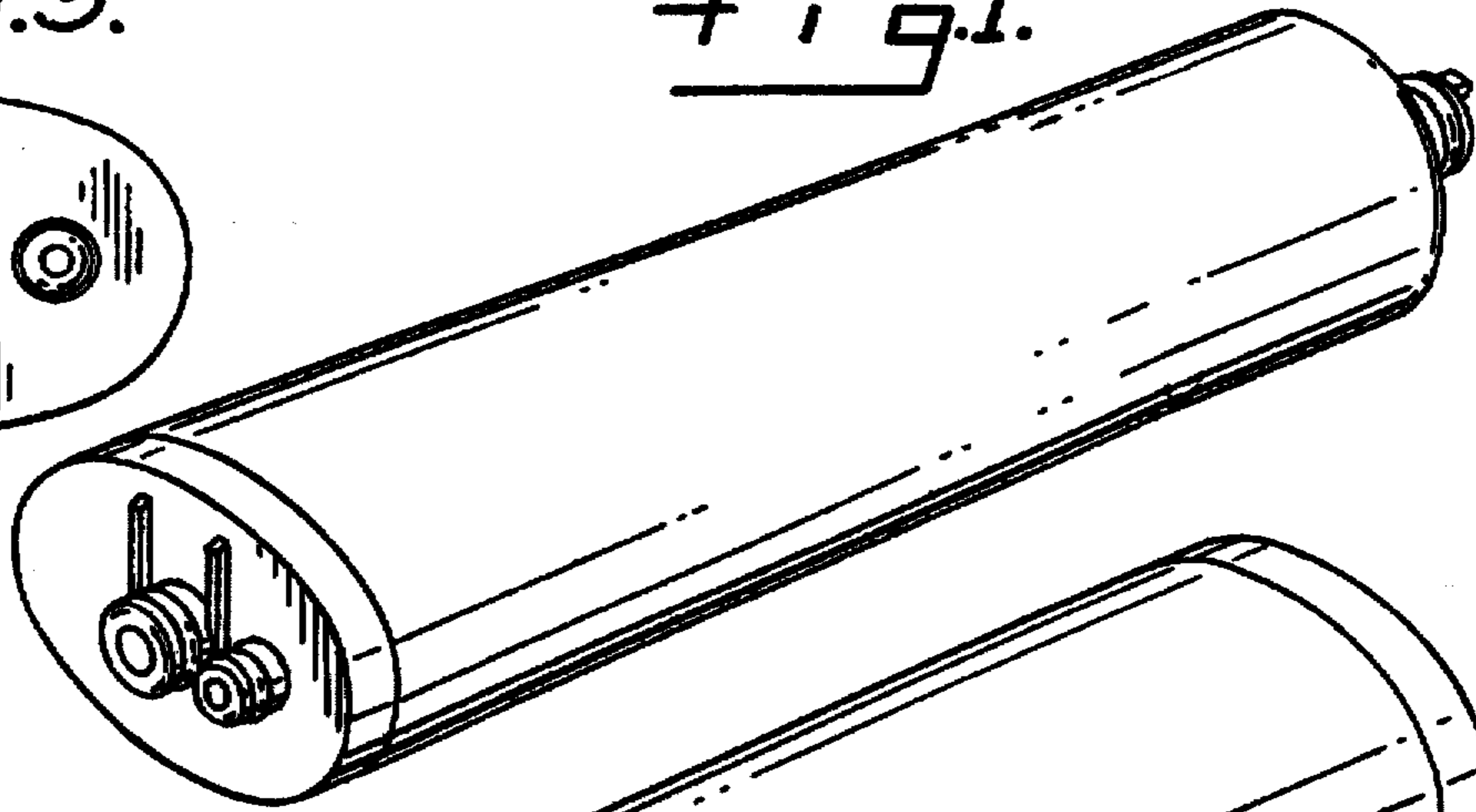


FIG. 2.

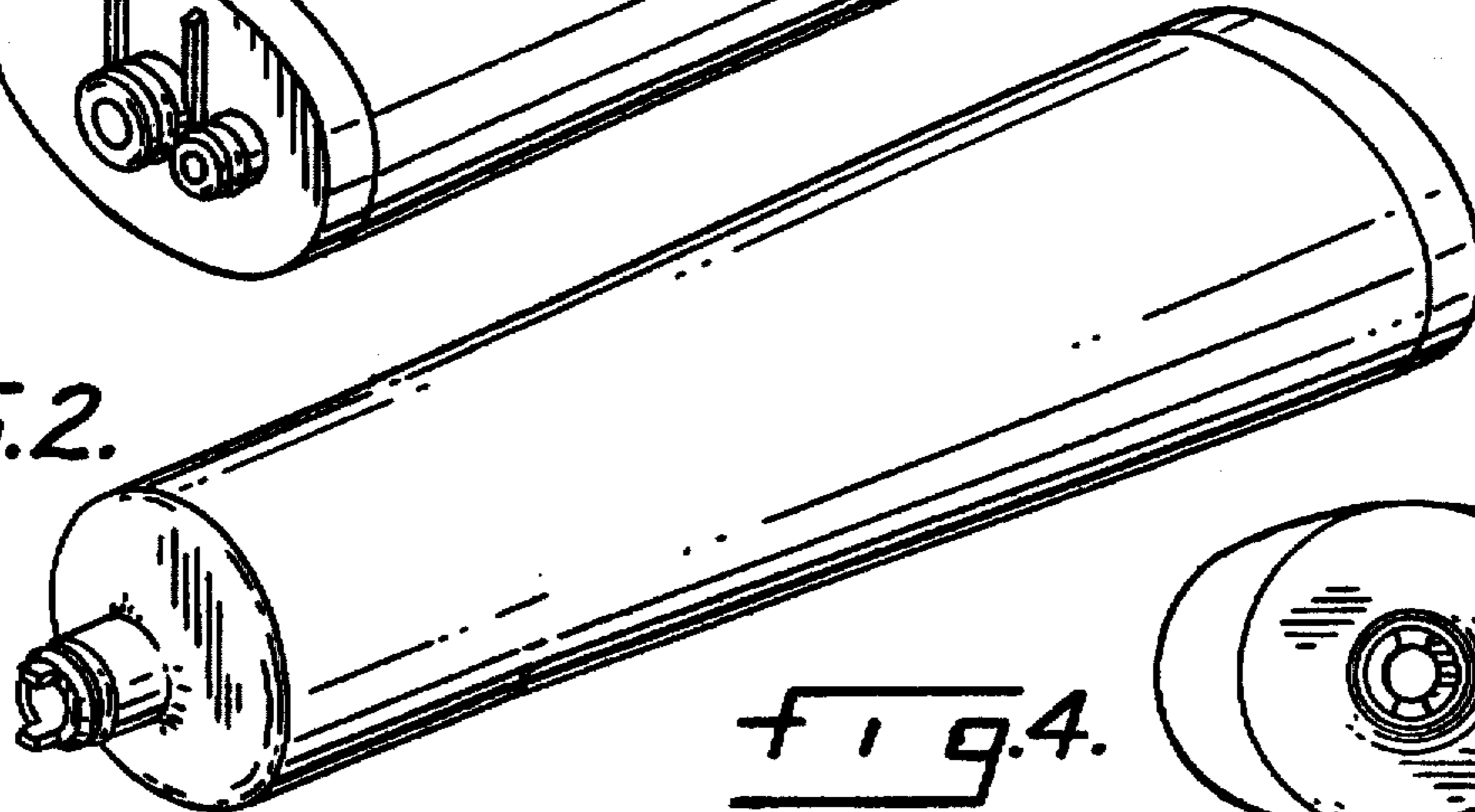


FIG. 4.

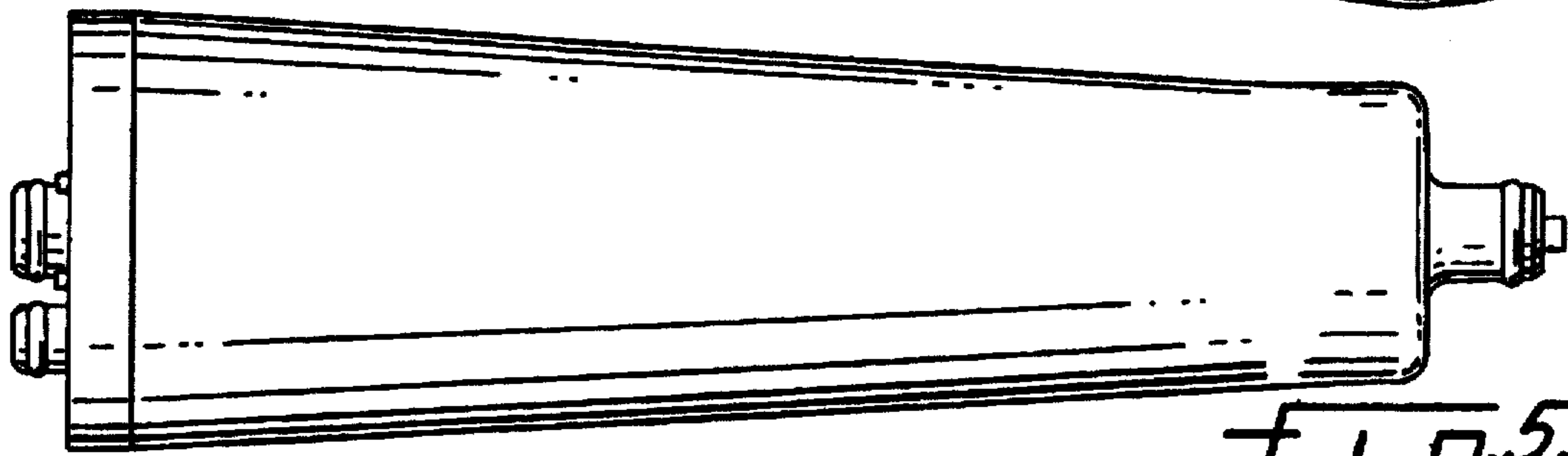
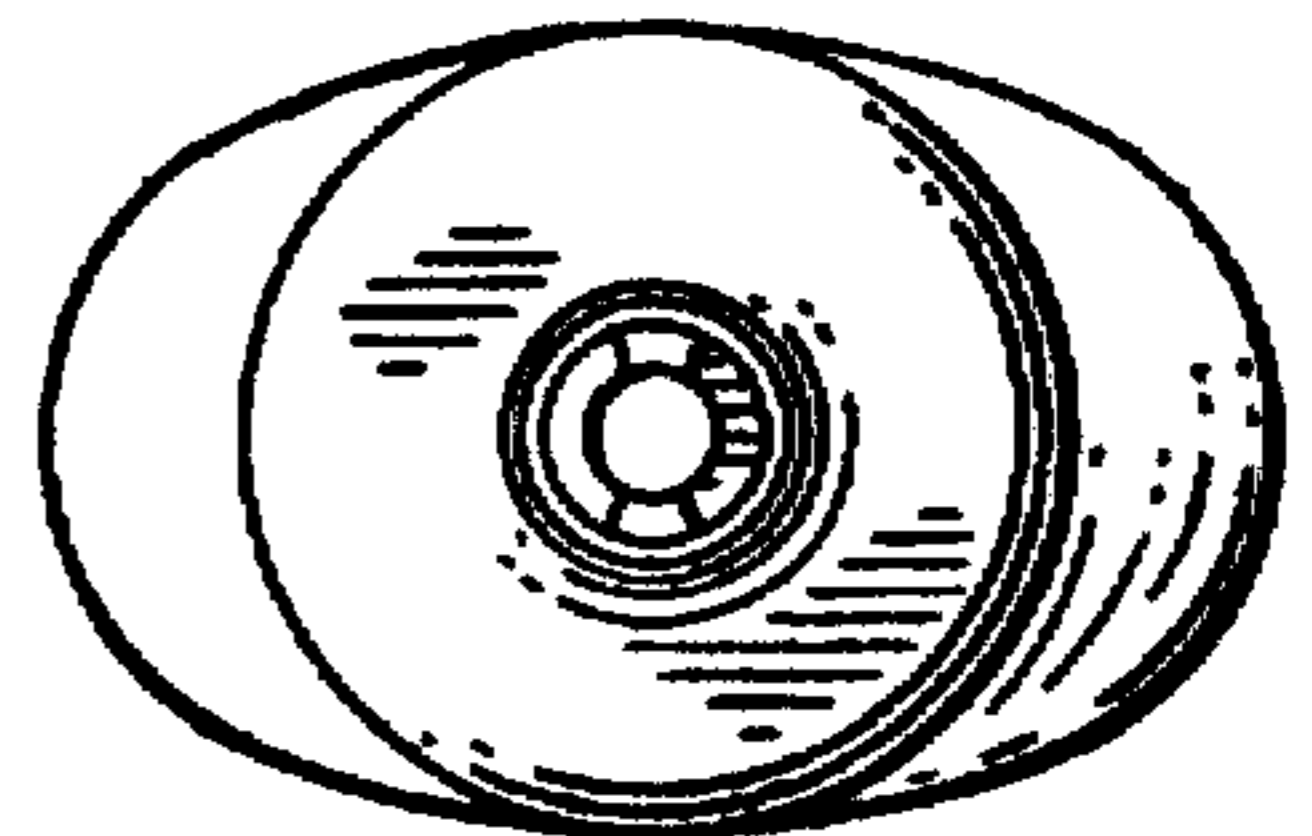


FIG. 5.

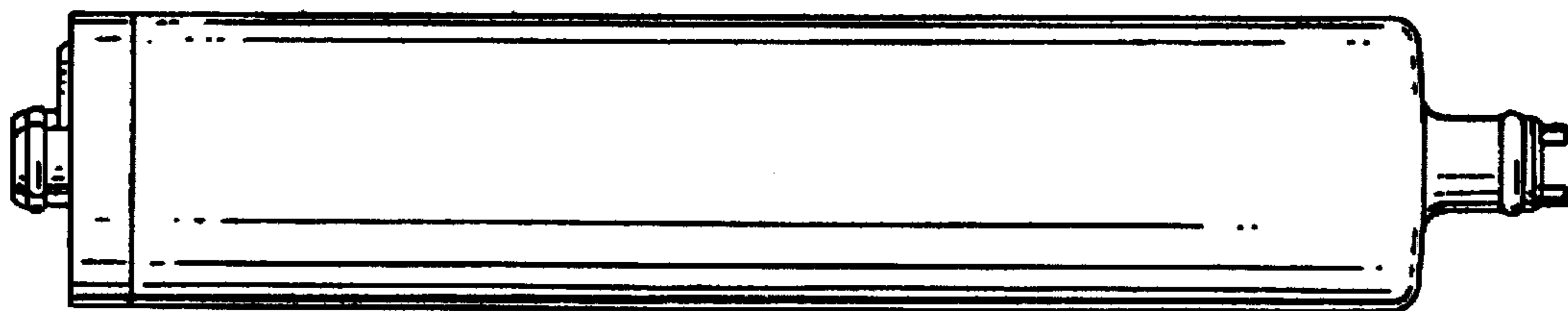


FIG. 6.

FIG. 7.

