



US00D388497S

United States Patent [19] Iwabuchi

[11] Patent Number: **Des. 388,497**
[45] Date of Patent: ****Dec. 30, 1997**

[54] **SPINNING REEL FOR FISHING**
[75] Inventor: **Masakazu Iwabuchi, Sakai, Japan**
[73] Assignee: **Shimano, Inc., Japan**
[**] Term: **14 Years**
[21] Appl. No.: **62,581**
[22] Filed: **Nov. 19, 1996**
[30] **Foreign Application Priority Data**
May 21, 1996 [JP] Japan 8-14589
[51] LOC (6) CL **22-05**
[52] U.S. Cl. **D22/141**
[58] **Field of Search** **D22/141, 140;**
242/230-233, 245, 246, 234-238, 247,
248

D. 329,907 9/1992 Yui D22/141
D. 330,245 10/1992 Shiozaki D22/141
D. 333,504 2/1993 Myojo D22/141
D. 352,542 11/1994 Onishi D22/141
D. 369,642 5/1996 Iwabuchi D22/140

Primary Examiner—Doris V. Coles
Attorney, Agent, or Firm—Woodling, Krost & Rust

[57] CLAIM

The ornamental design for a spinning reel for fishing, as shown and described.

DESCRIPTION

FIG. 1 is a top, front perspective view of a spinning reel for fishing showing my new design;
FIG. 2 is a bottom, rear perspective view thereof;
FIG. 3 is a front view thereof;
FIG. 4 is a rear view thereof;
FIG. 5 is a top plan view thereof;
FIG. 6 is a bottom plan view thereof;
FIG. 7 is a left side view thereof; and,
FIG. 8 is a right side view thereof.

[56] **References Cited**
U.S. PATENT DOCUMENTS
D. 327,112 6/1992 Myojo D22/141

1 Claim, 8 Drawing Sheets

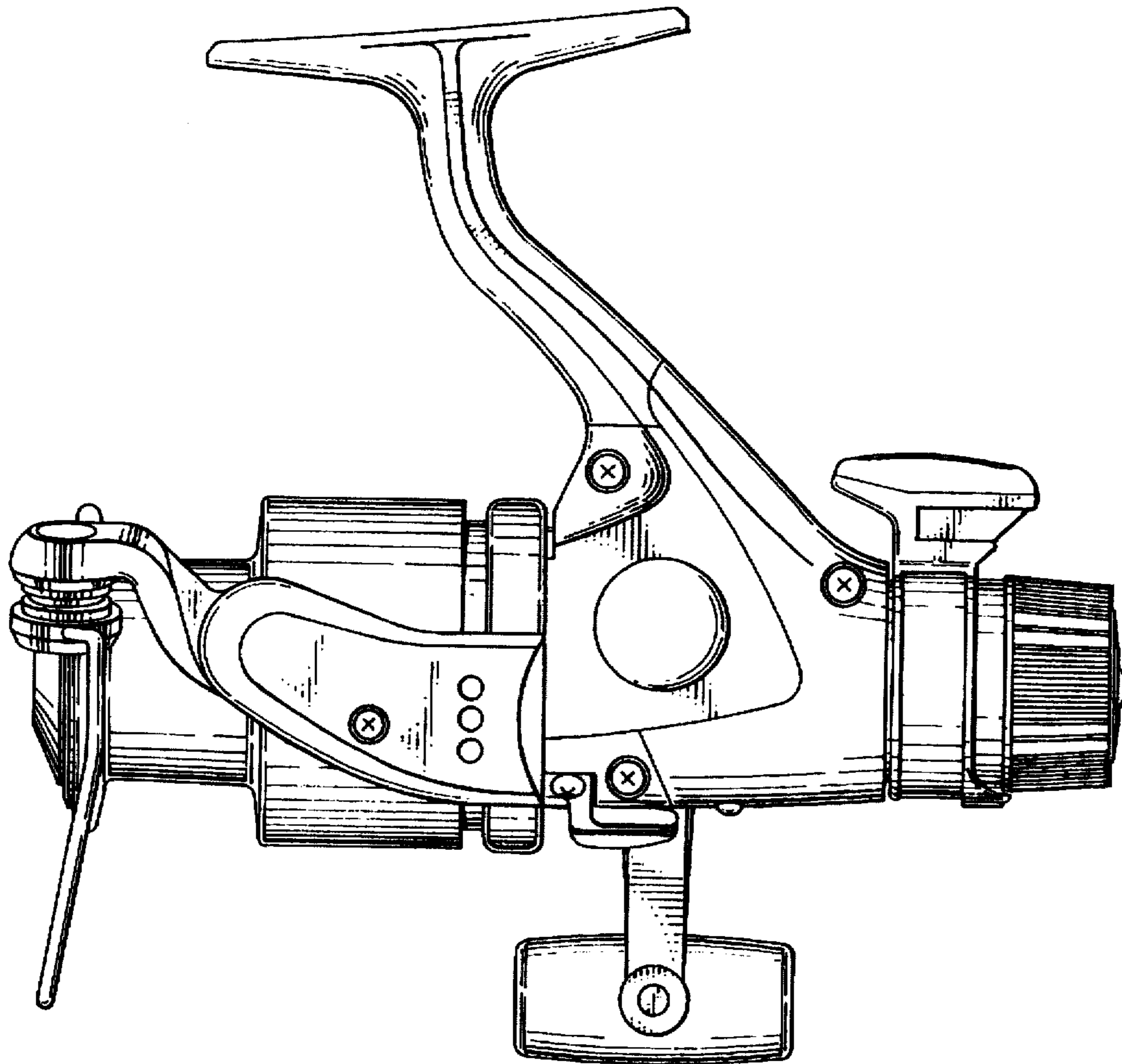


FIG. 1

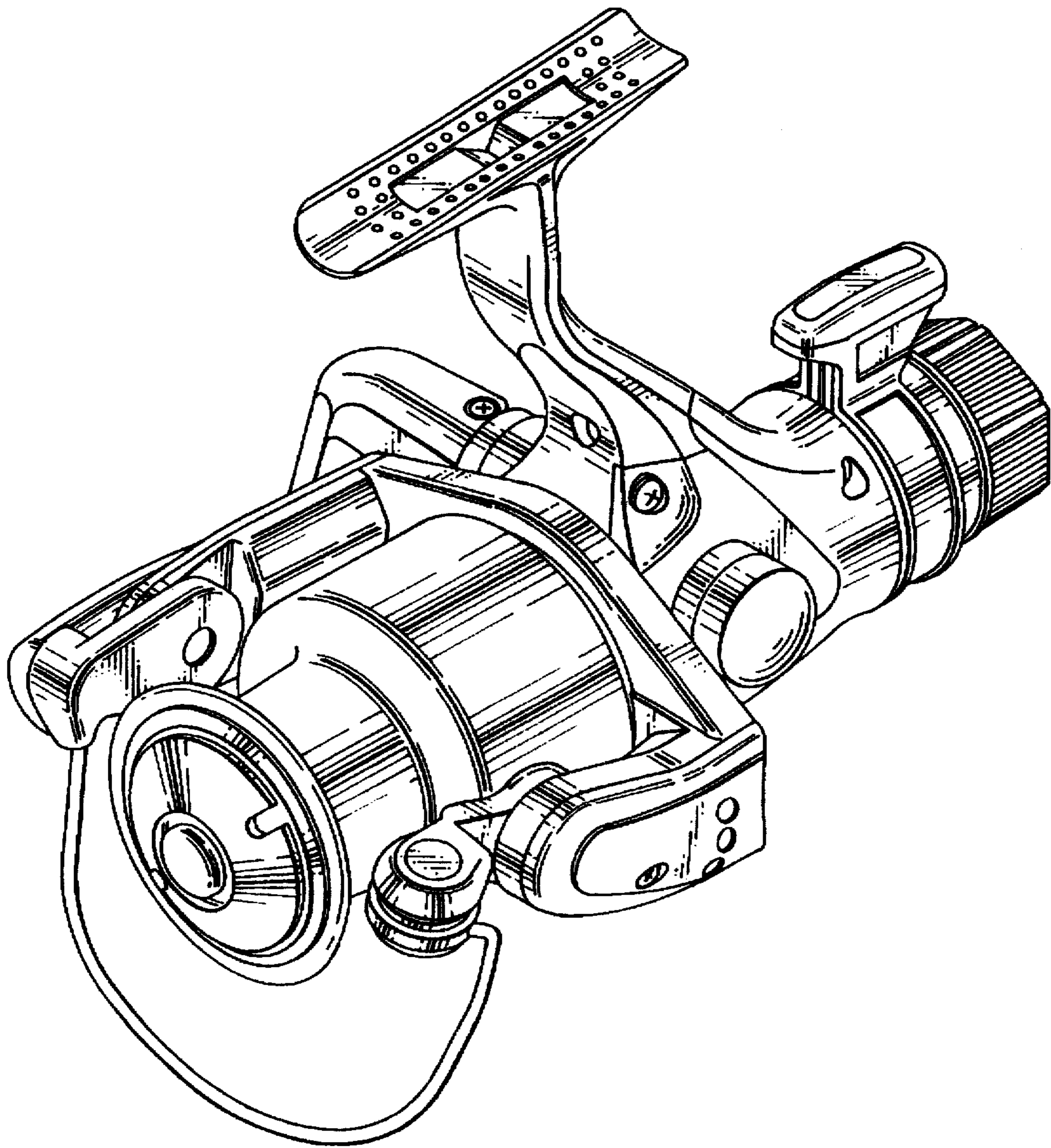


FIG. 2

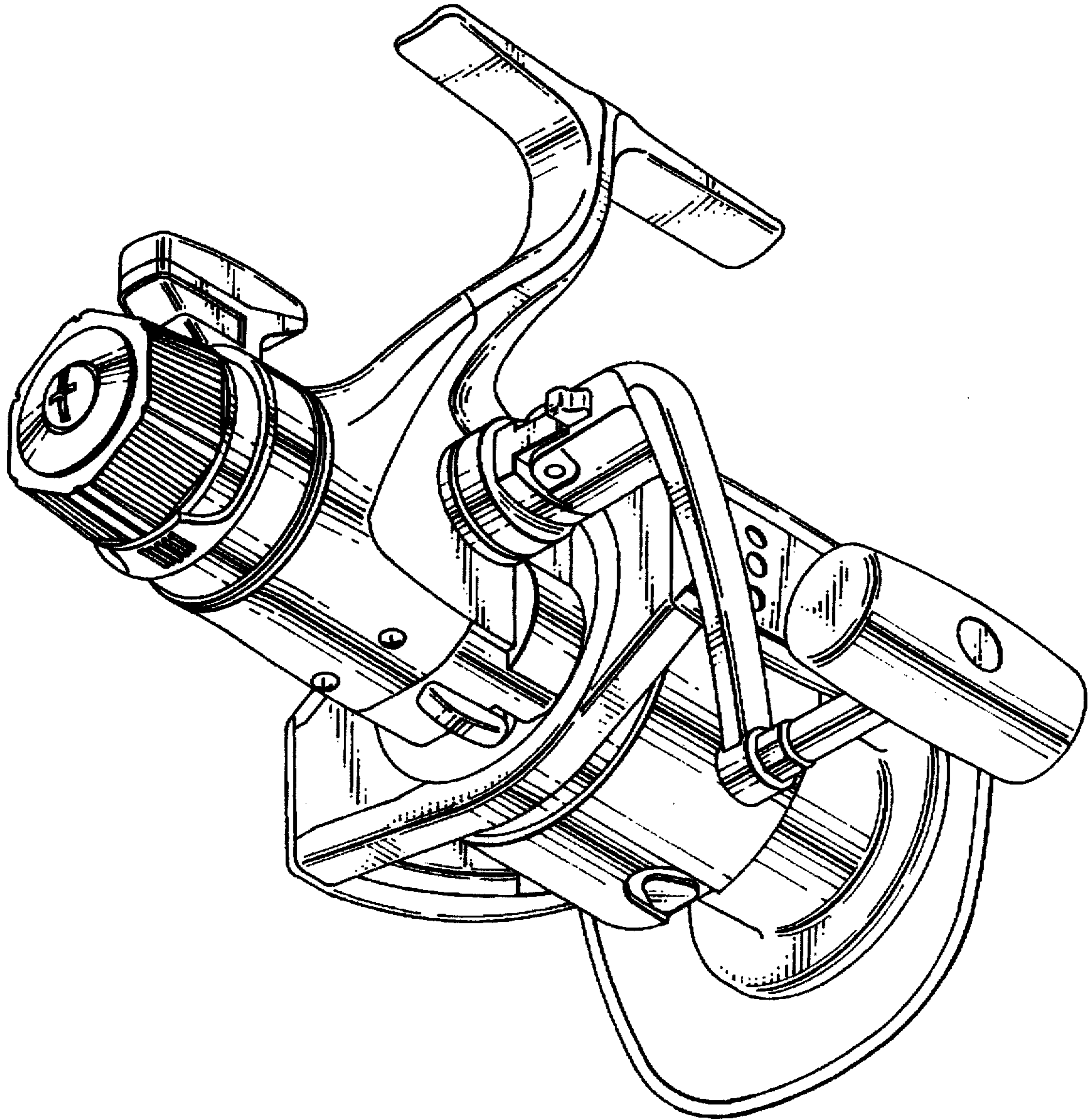


FIG. 3

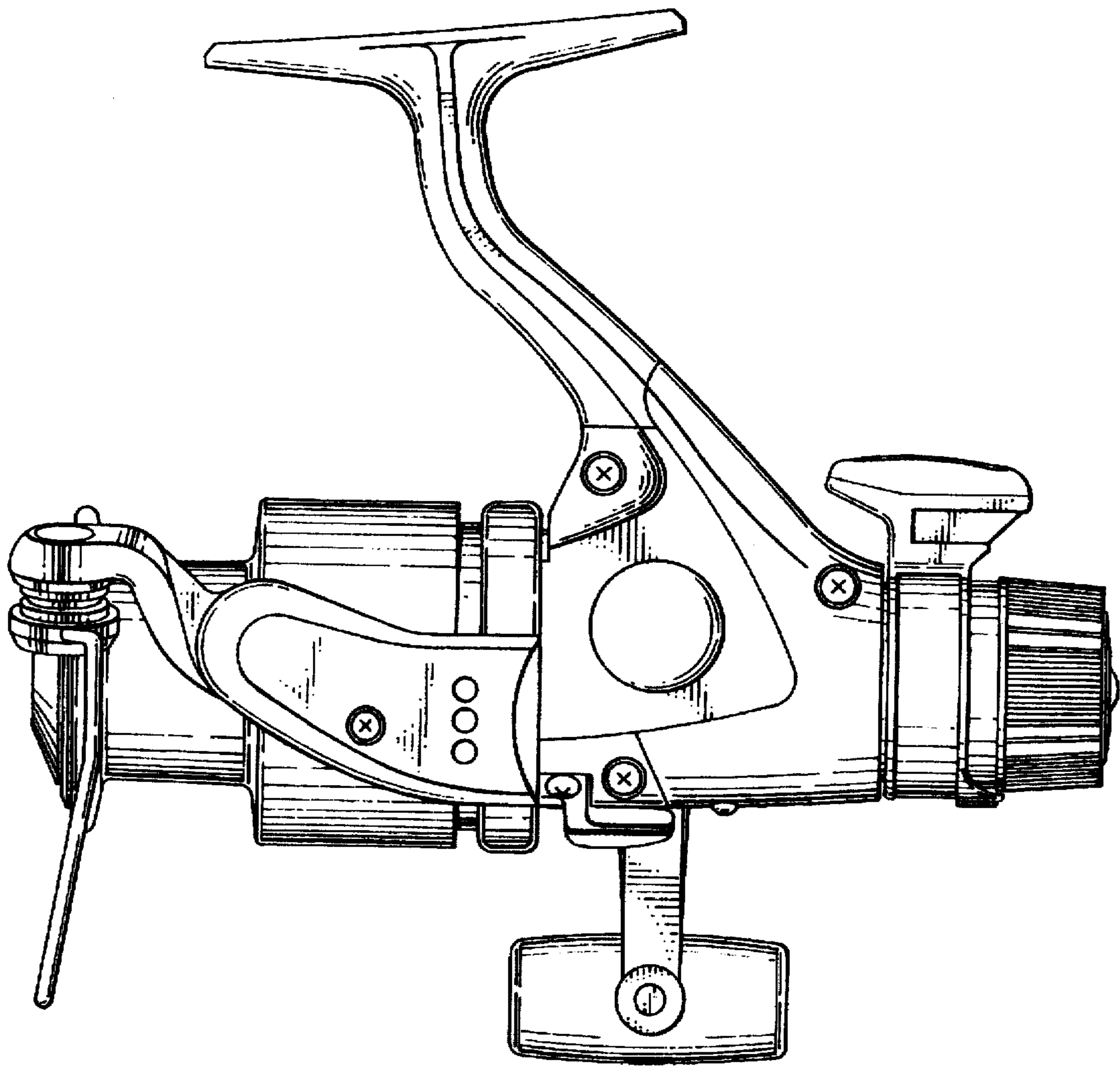


FIG. 4

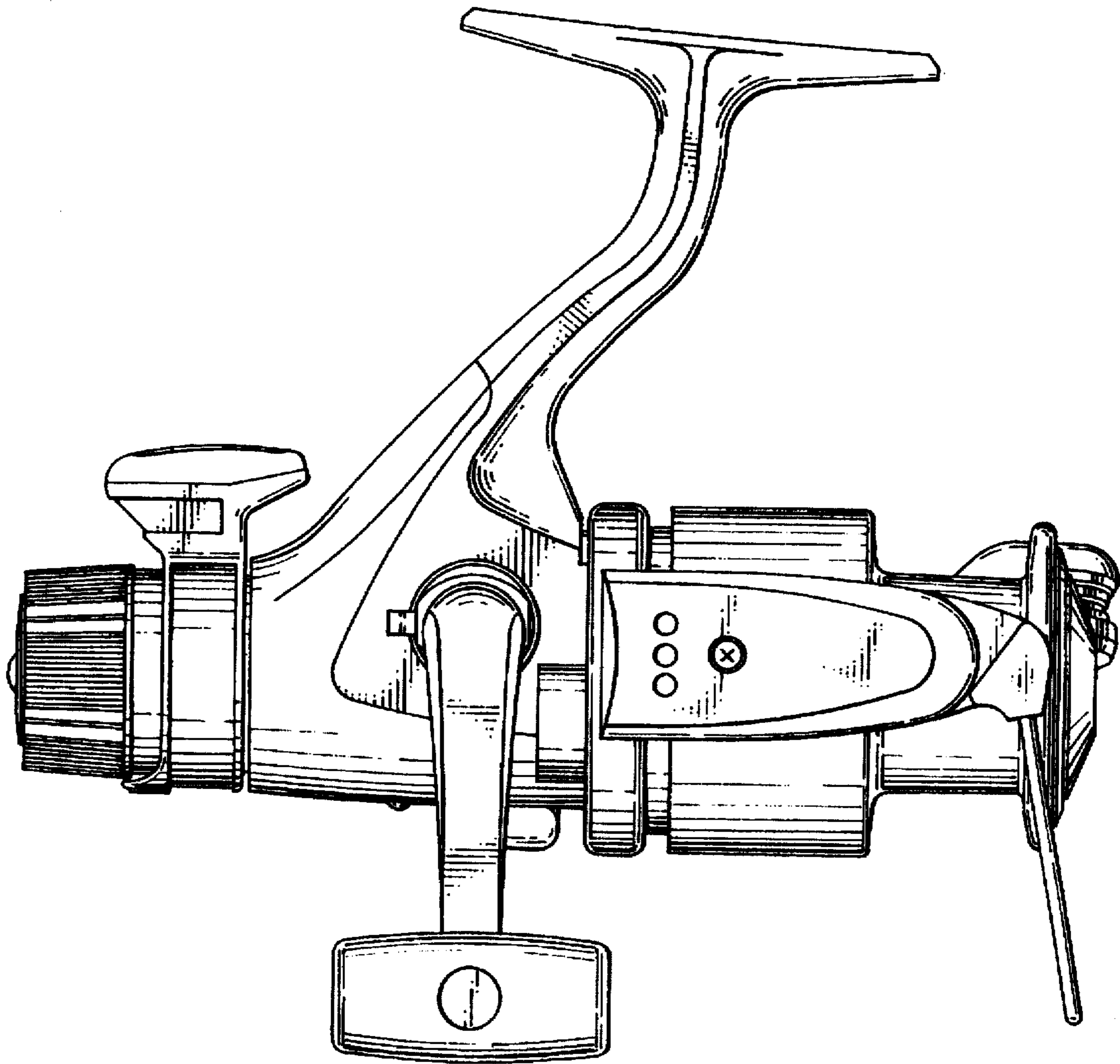


FIG. 5

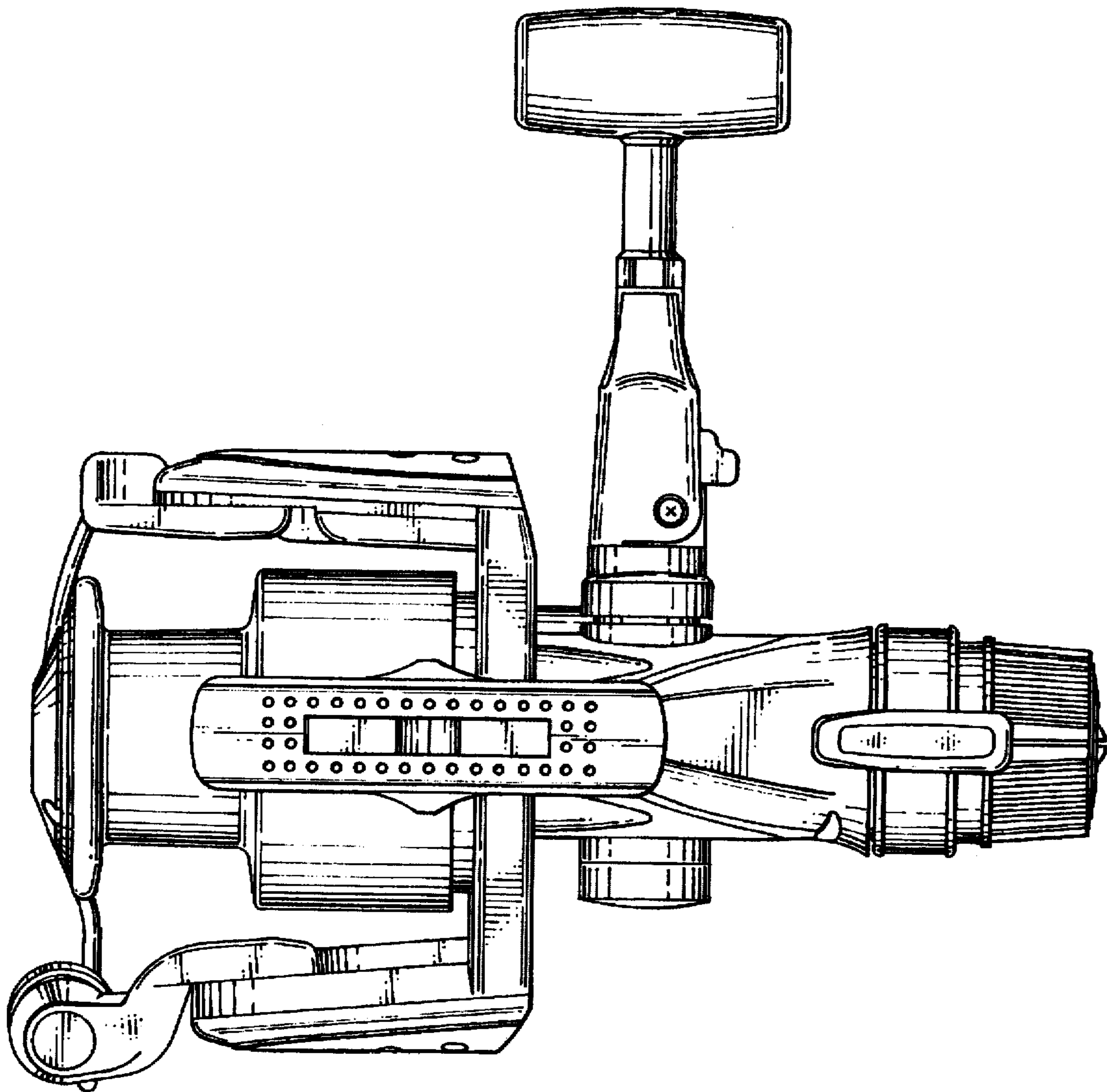


FIG. 6

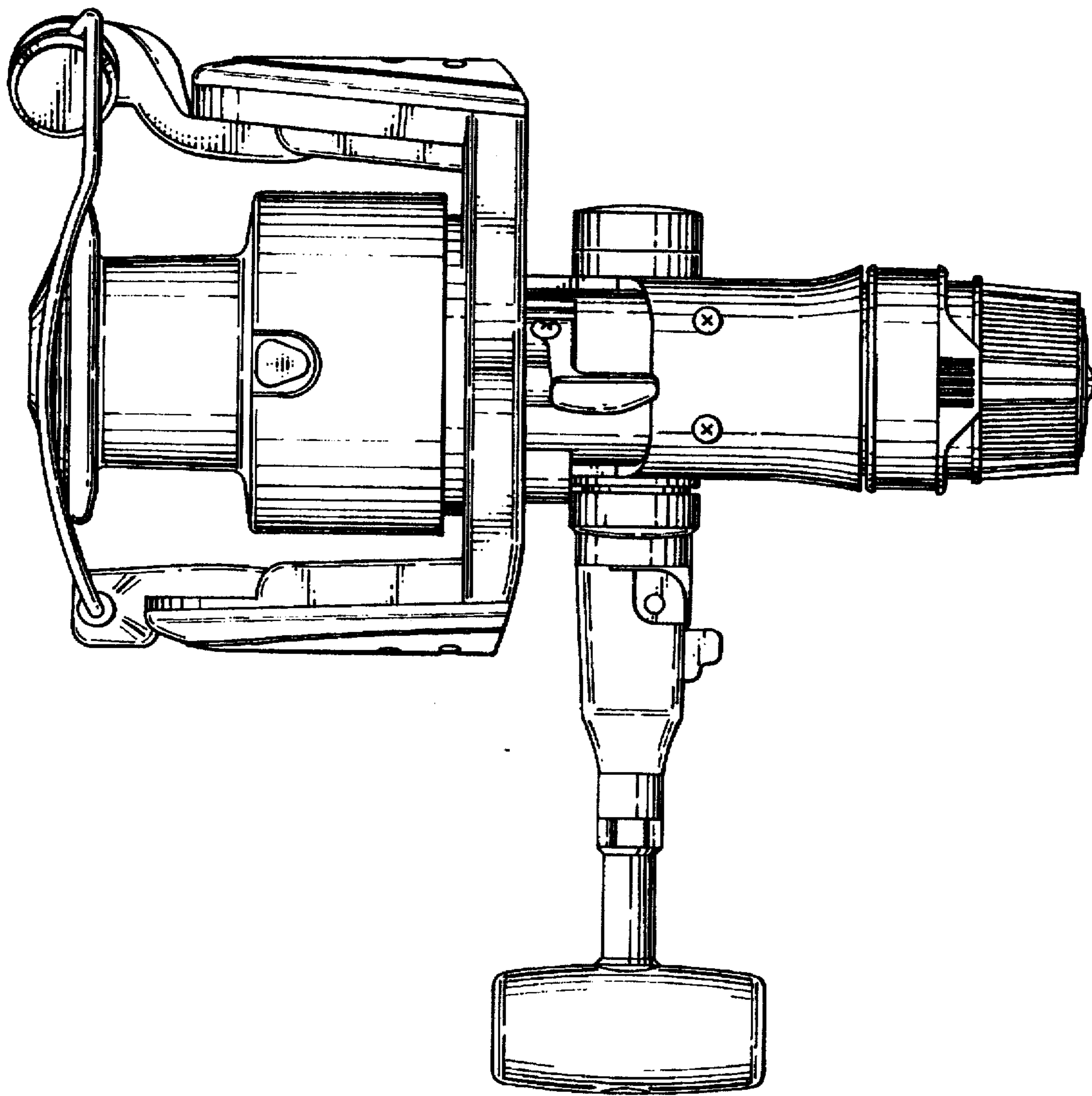


FIG. 7

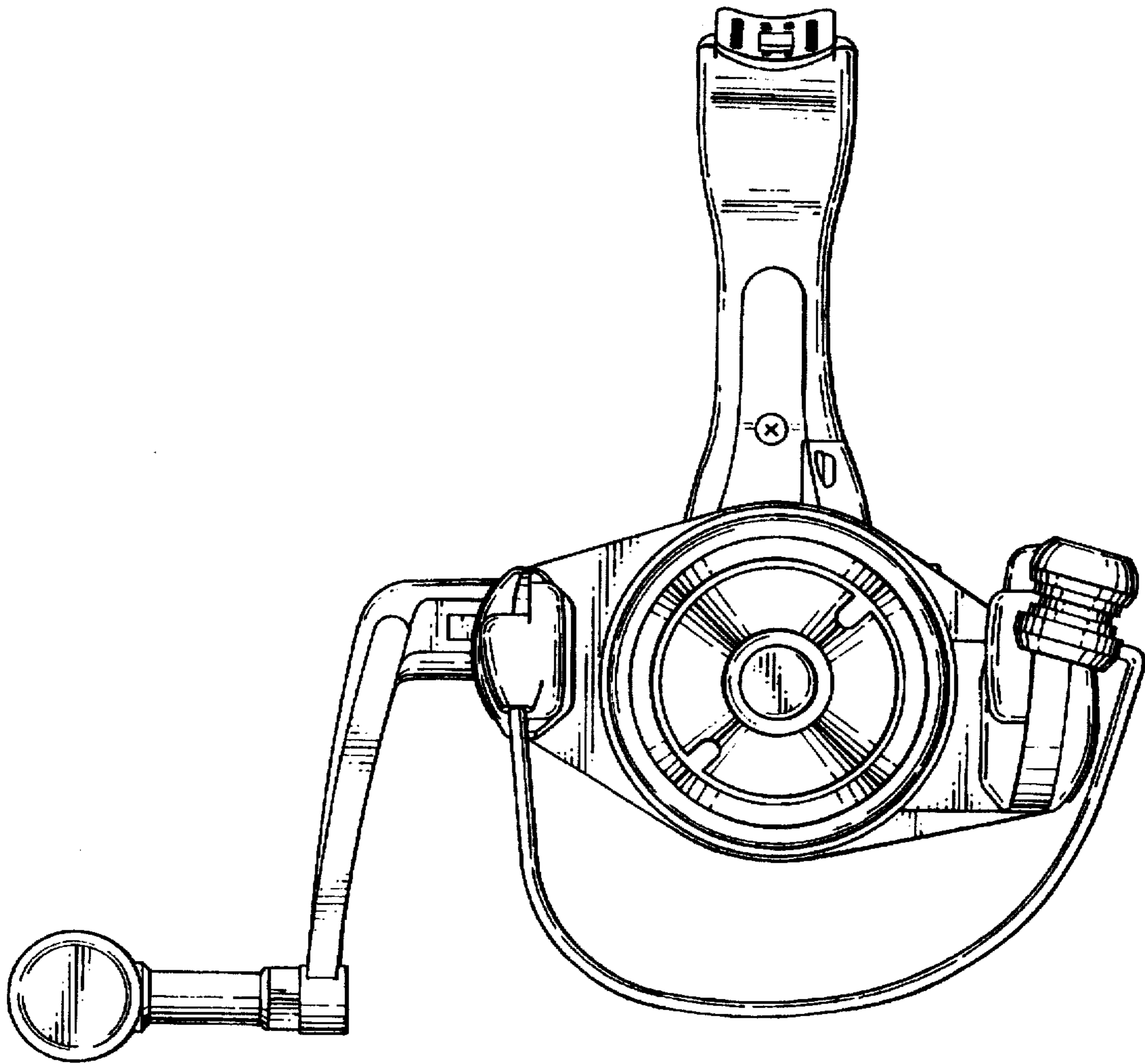


FIG. 8

