



US00D388494S

United States Patent [19]
Liu

[11] **Patent Number: Des. 388,494**

[45] **Date of Patent: **Dec. 30, 1997**

[54] **INFLATABLE FRAME STRUCTURE**

[76] **Inventor: Chang Hsiung Liu, No. 8, Shang 4 Fu, Yang-Mei Town, Tao-Yuan Hsieh, Taiwan**

[**] **Term: 14 Years**

[21] **Appl. No.: 57,862**

[22] **Filed: Aug. 2, 1996**

[51] **LOC (6) CL 21-02**

[52] **U.S. Cl. D21/254; D21/253**

[58] **Field of Search D21/253, 254, D21/114; D25/16, 22; 52/2.18; 135/121, 122, 123, 125, 126, 128, 138, 143, 156**

[56] **References Cited**

U.S. PATENT DOCUMENTS

D. 216,352	12/1969	Martin	D21/253
D. 252,582	8/1979	Rain	D21/253
1,964,818	7/1934	Hood	135/156

2,955,606	10/1960	Walker	135/121
3,145,719	8/1964	Johnson	D21/253
5,205,086	4/1993	Heim	52/2.18
5,570,544	11/1996	Hale et al.	52/2.18

Primary Examiner—Raphael Barkai
Attorney, Agent, or Firm—Bacon & Thomas

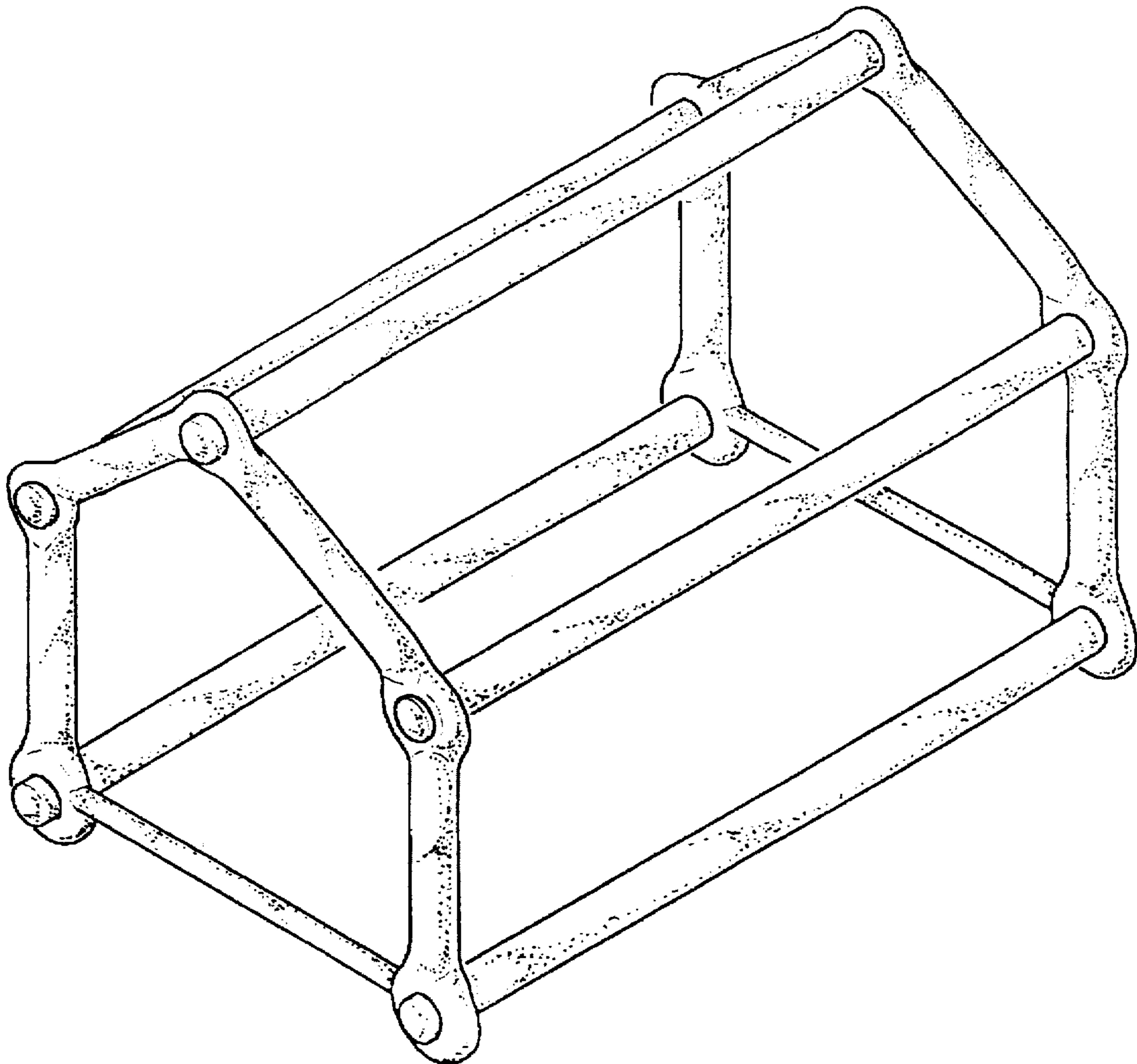
[57] **CLAIM**

The ornamental design for an inflatable frame structure, as shown and described.

DESCRIPTION

FIG. 1 is a perspective view of an inflatable frame structure showing my new design;
FIG. 2 is a front elevational view thereof;
FIG. 3 is a rear elevational view thereof;
FIG. 4 is a left side elevational view thereof;
FIG. 5 is a right side elevational view thereof;
FIG. 6 is a top plan view thereof; and,
FIG. 7 is a bottom plan view thereof.

1 Claim, 7 Drawing Sheets



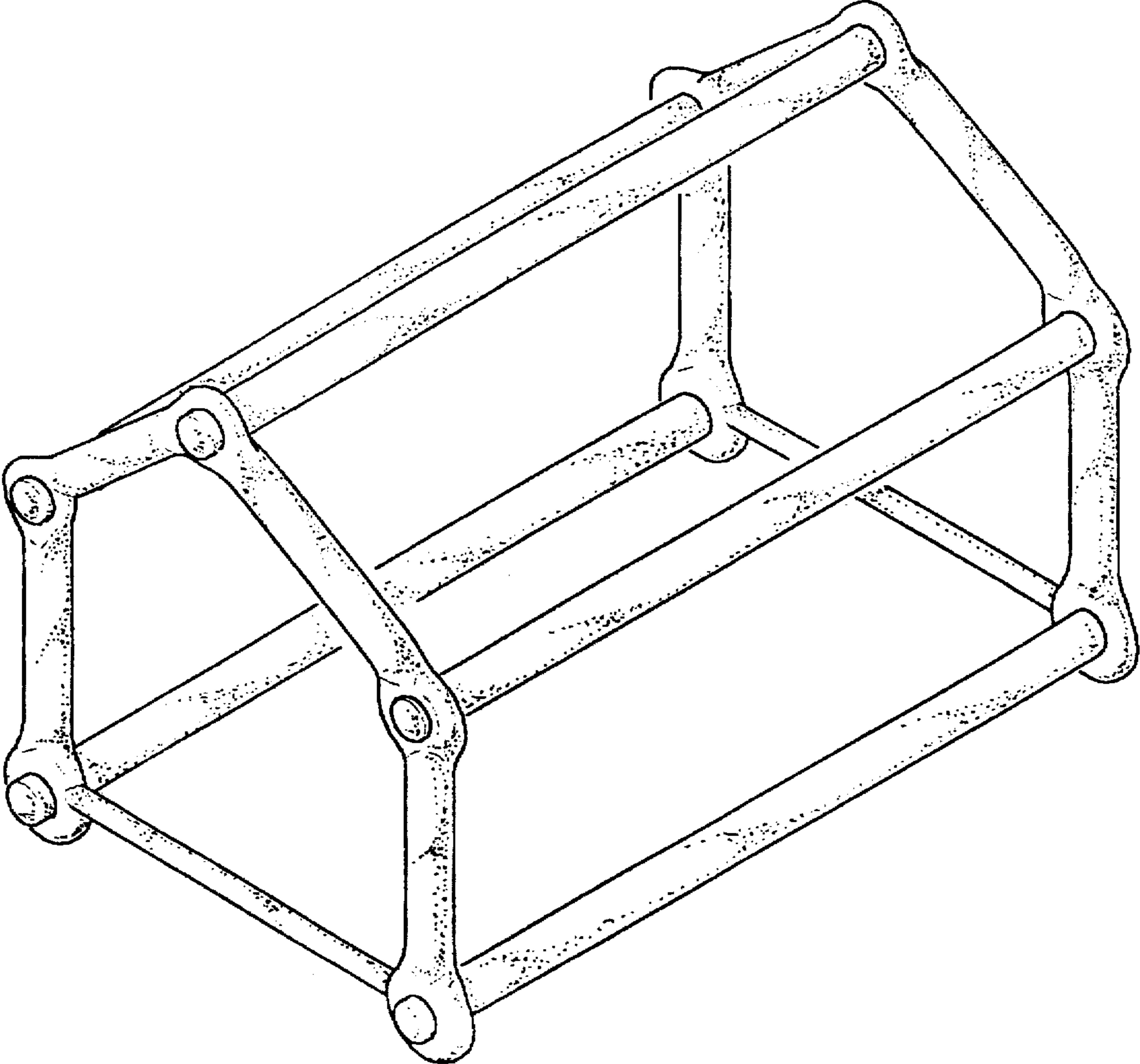


FIG. 1

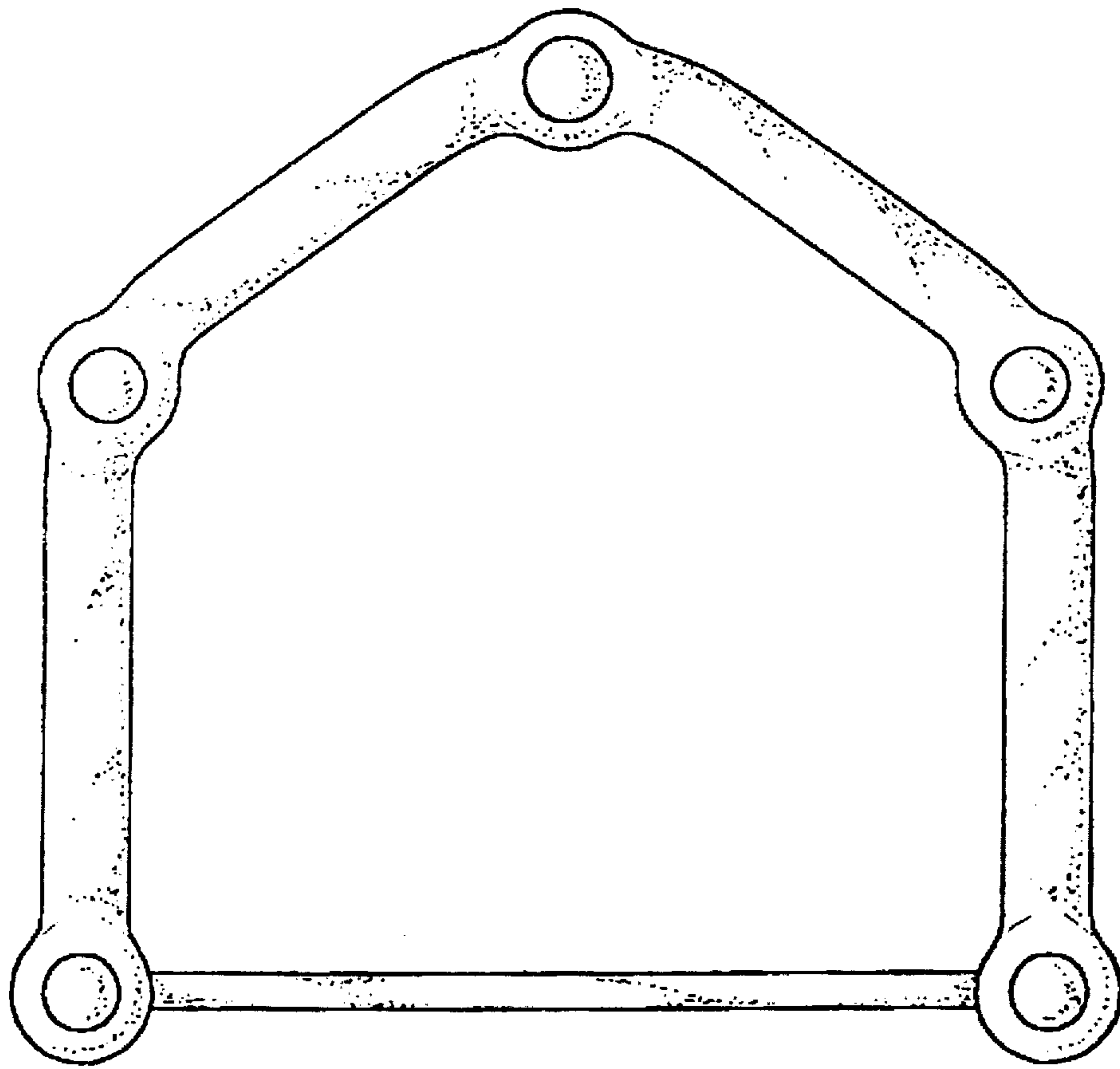


FIG. 2

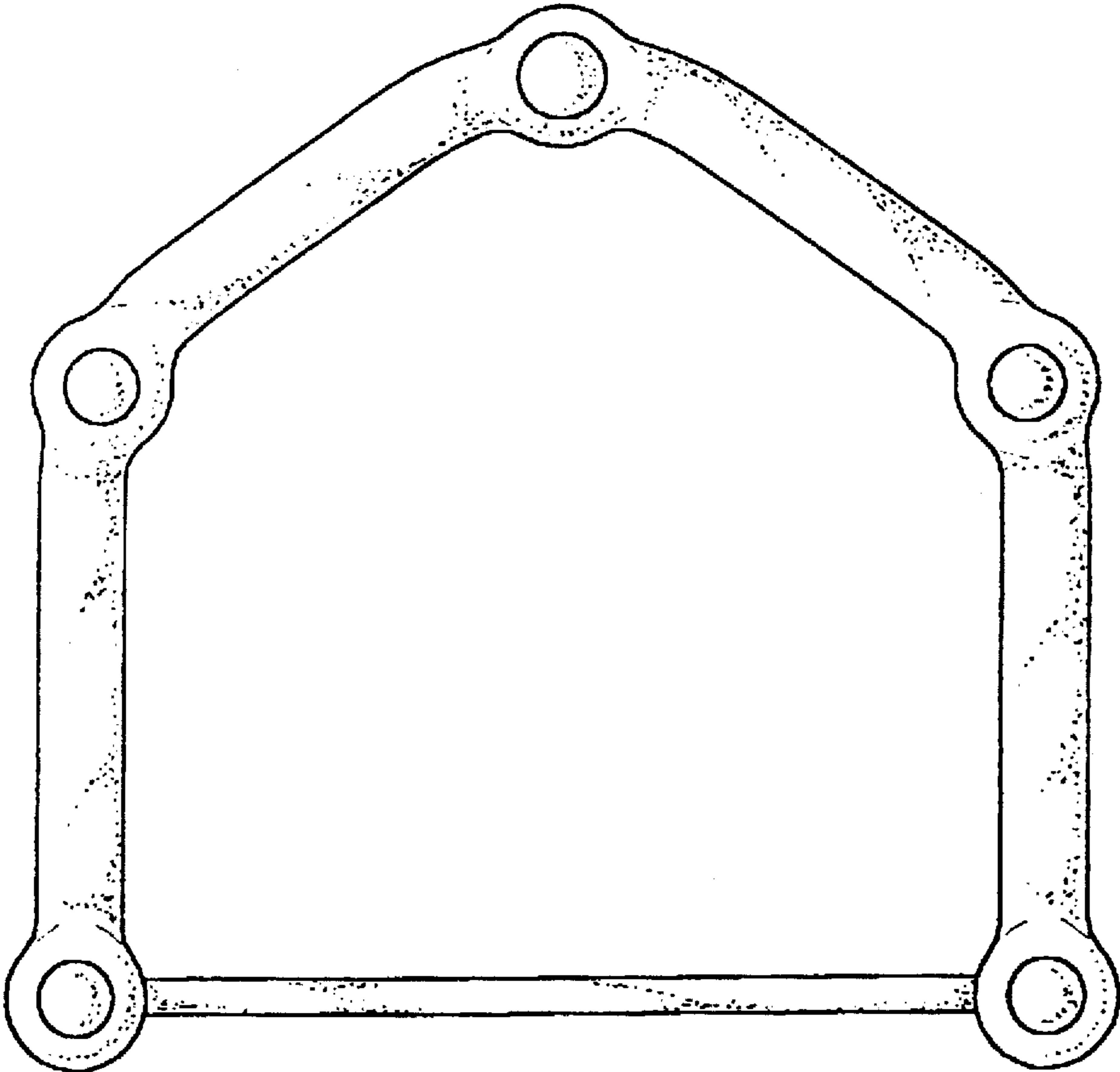


FIG. 3

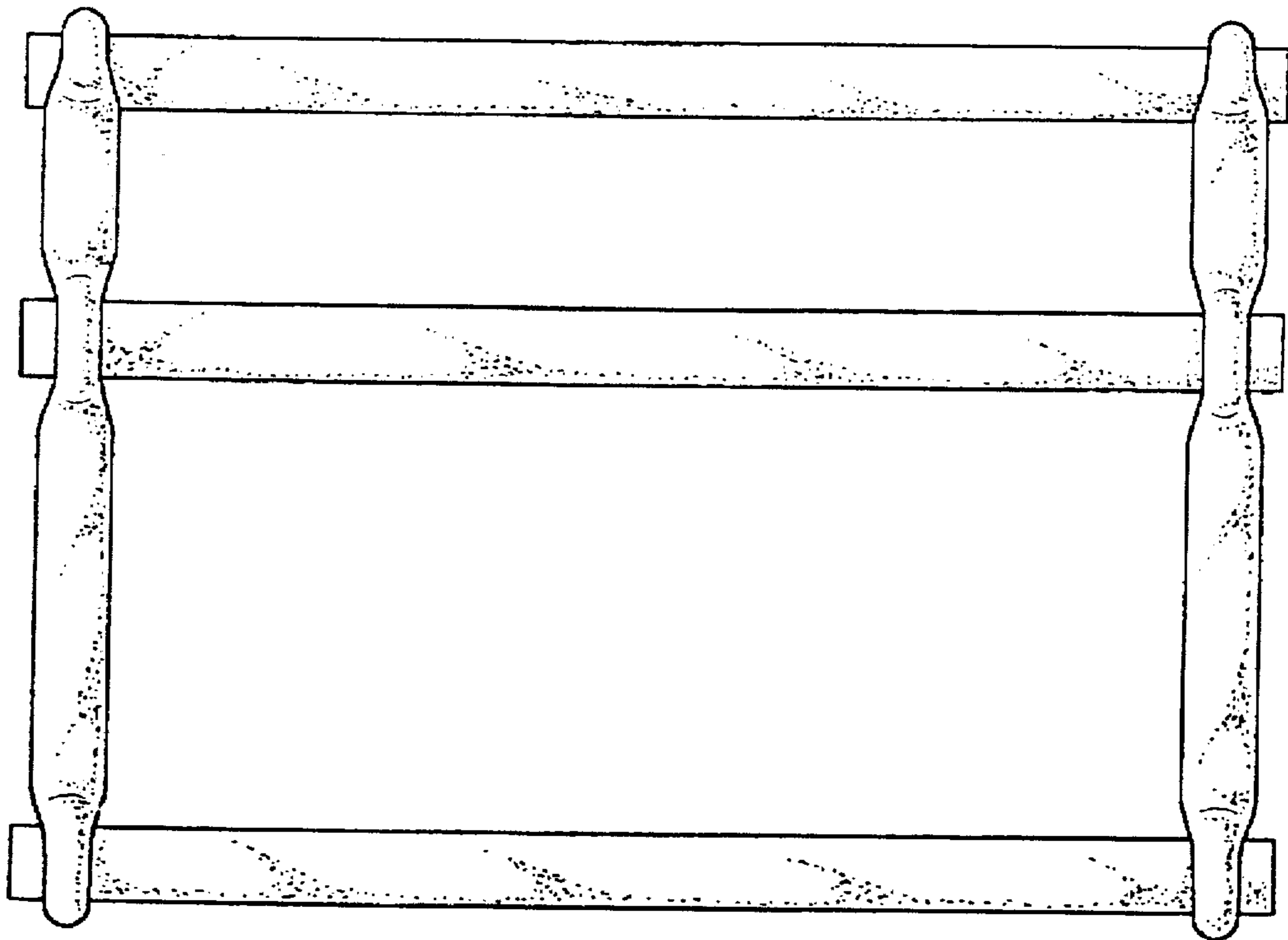


FIG. 4

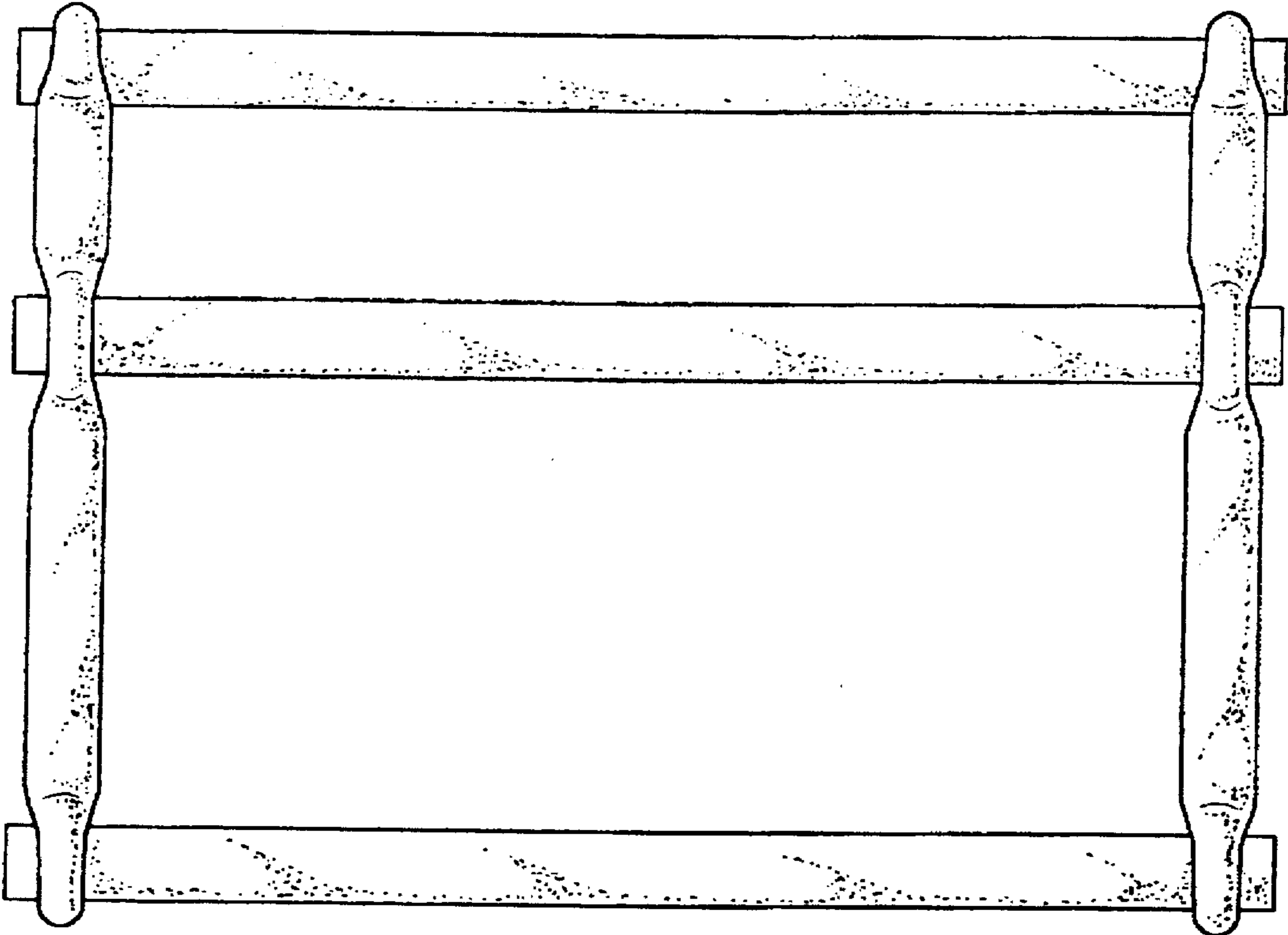


FIG. 5

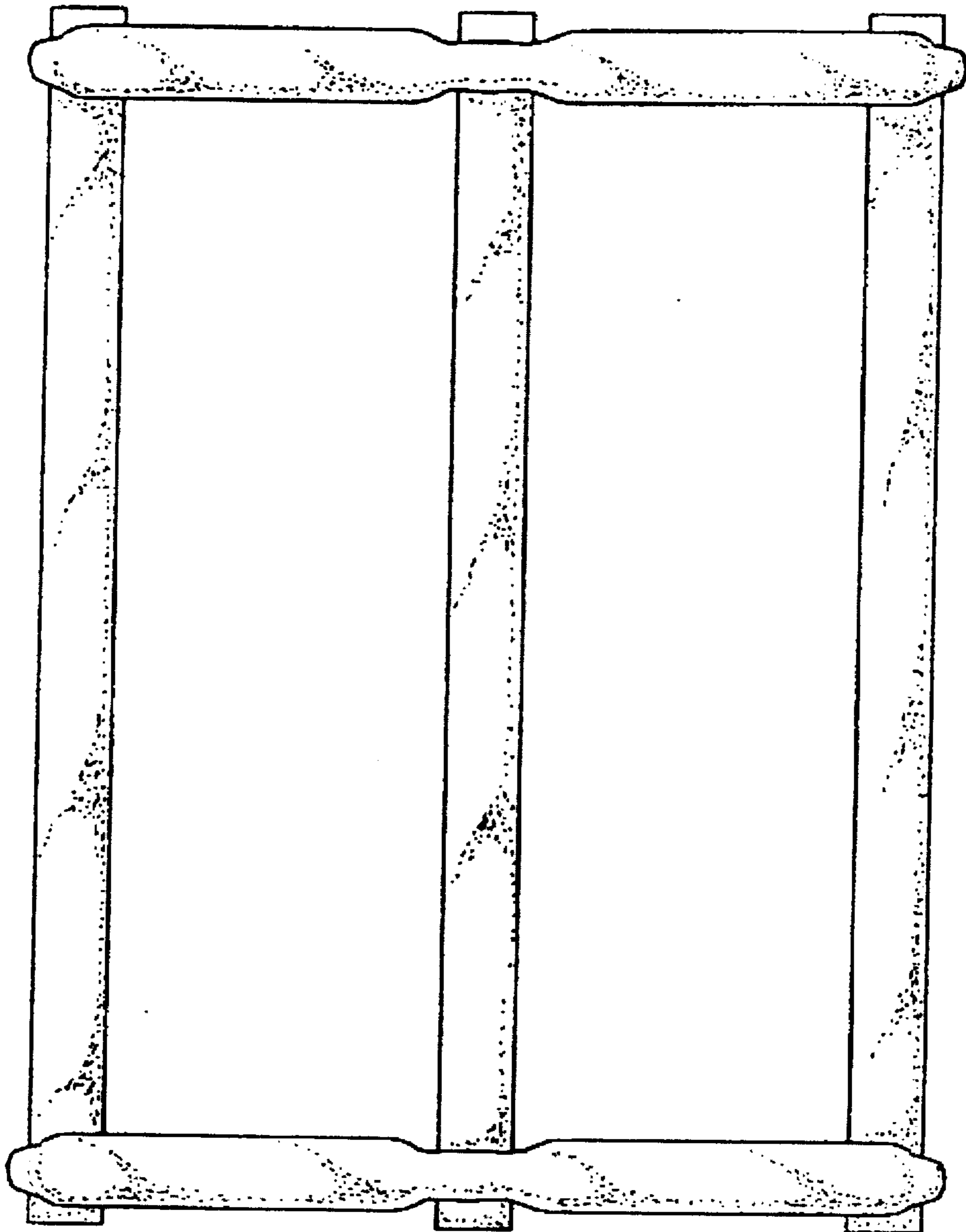


FIG. 6

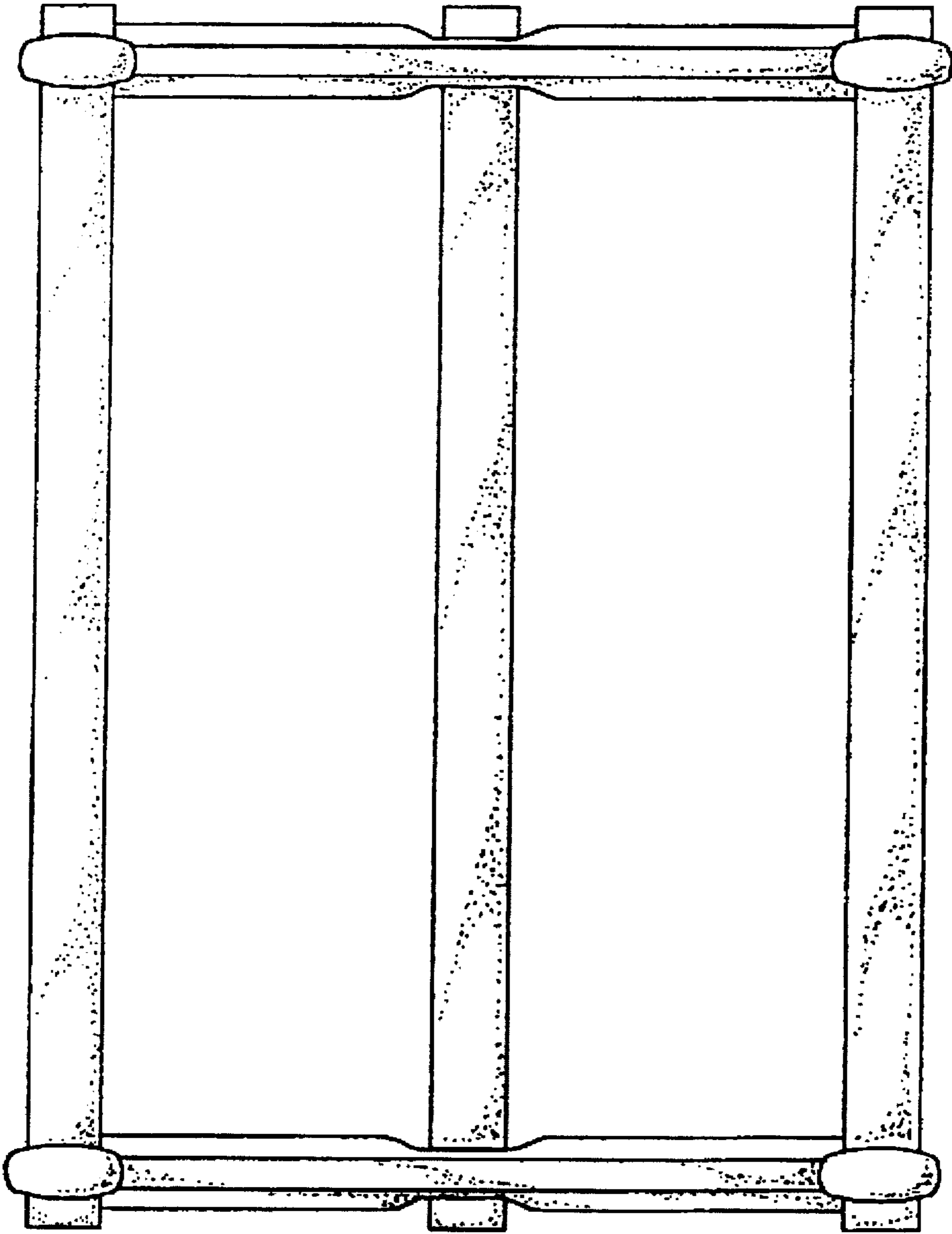


FIG. 7