

US00D388491S

**United States Patent** [19]  
**Sikorski**

[11] **Patent Number: Des. 388,491**

[45] **Date of Patent: \*\*Dec. 30, 1997**

[54] **FLOAT**

5,458,515 10/1995 Buseti ..... 441/81

[75] **Inventor: Marek Sikorski, Ontario, Canada**

*Primary Examiner—Kay H. Chin*

*Attorney, Agent, or Firm—Eugene J. A. Gierczak*

[73] **Assignee: Industrial Thermo Polymers Limited,  
Brampton, Canada**

[57] **CLAIM**

[\*\*] **Term: 14 Years**

The ornamental design for a float, as shown and described.

[21] **Appl. No.: 64,135**

**DESCRIPTION**

[22] **Filed: Dec. 23, 1996**

FIG. 1 is a top perspective view of a float showing my new design;

[51] **LOC (6) Cl. .... 12-06**

FIG. 2 is a bottom perspective view thereof;

[52] **U.S. Cl. .... D21/237; D21/236**

FIG. 3 is a top plan view thereof;

[58] **Field of Search .... D21/236, 237,  
D21/238; D12/316; 441/35, 40, 65, 80,  
81, 88, 89-101, 106-109, 125-133, 136;  
482/111**

FIG. 4 is a front, top perspective view of a second embodiment of the float;

FIG. 5 is a front, bottom perspective view of FIG. 4;

FIG. 6 is a rear bottom perspective view of FIG. 4;

FIG. 7 is a top plan view of FIG. 4;

[56] **References Cited**

FIG. 8 is a top perspective view of a third embodiment of the float;

**U.S. PATENT DOCUMENTS**

FIG. 9 is a bottom perspective view of FIG. 8; and,

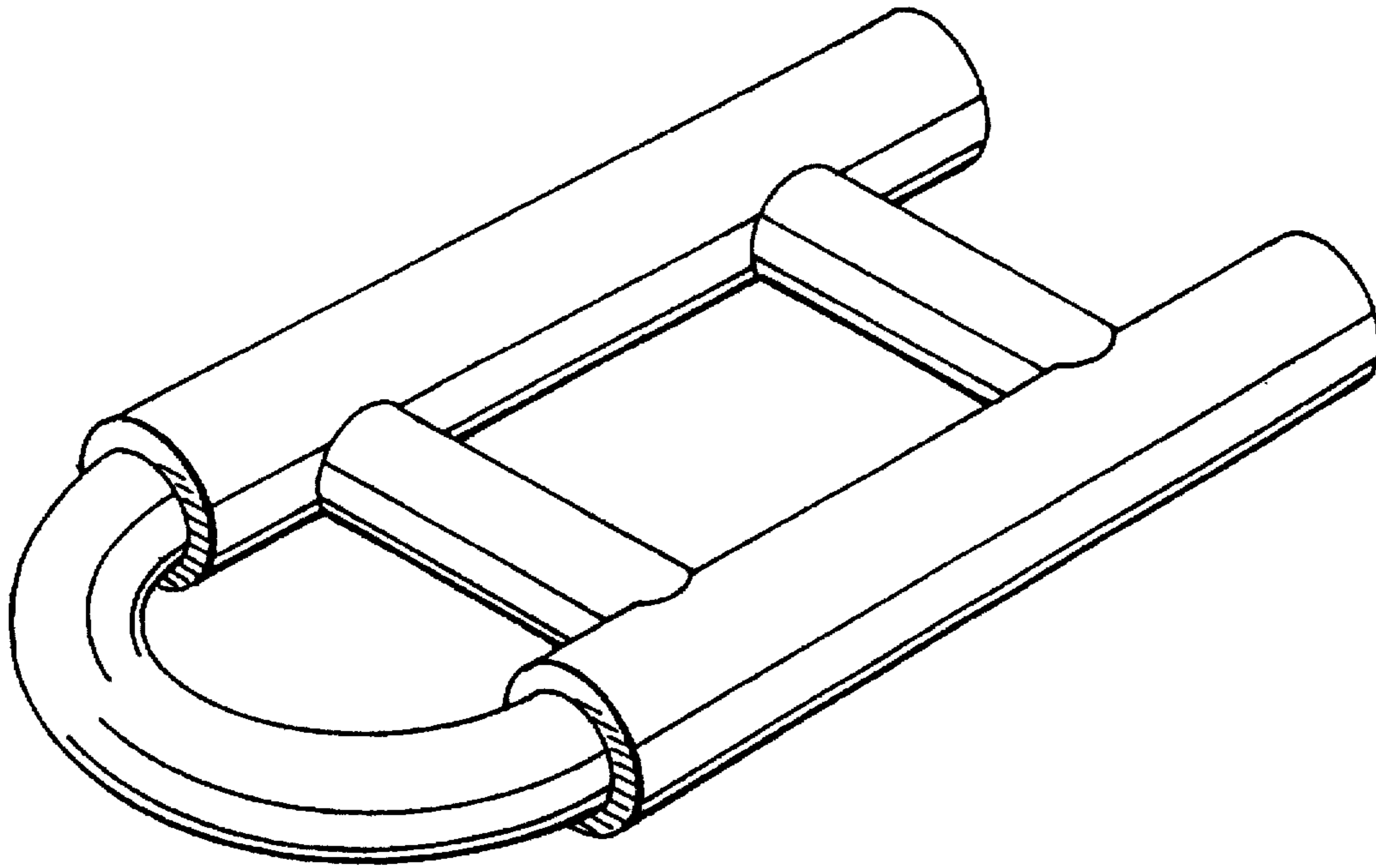
FIG. 10 is a top plan view of FIG. 8.

D. 355,466 2/1995 Wolfe ..... D21/237

3,099,845 8/1963 Chamberlain ..... 441/81

4,861,300 8/1989 Casagrande et al. .... 441/81

**1 Claim, 4 Drawing Sheets**



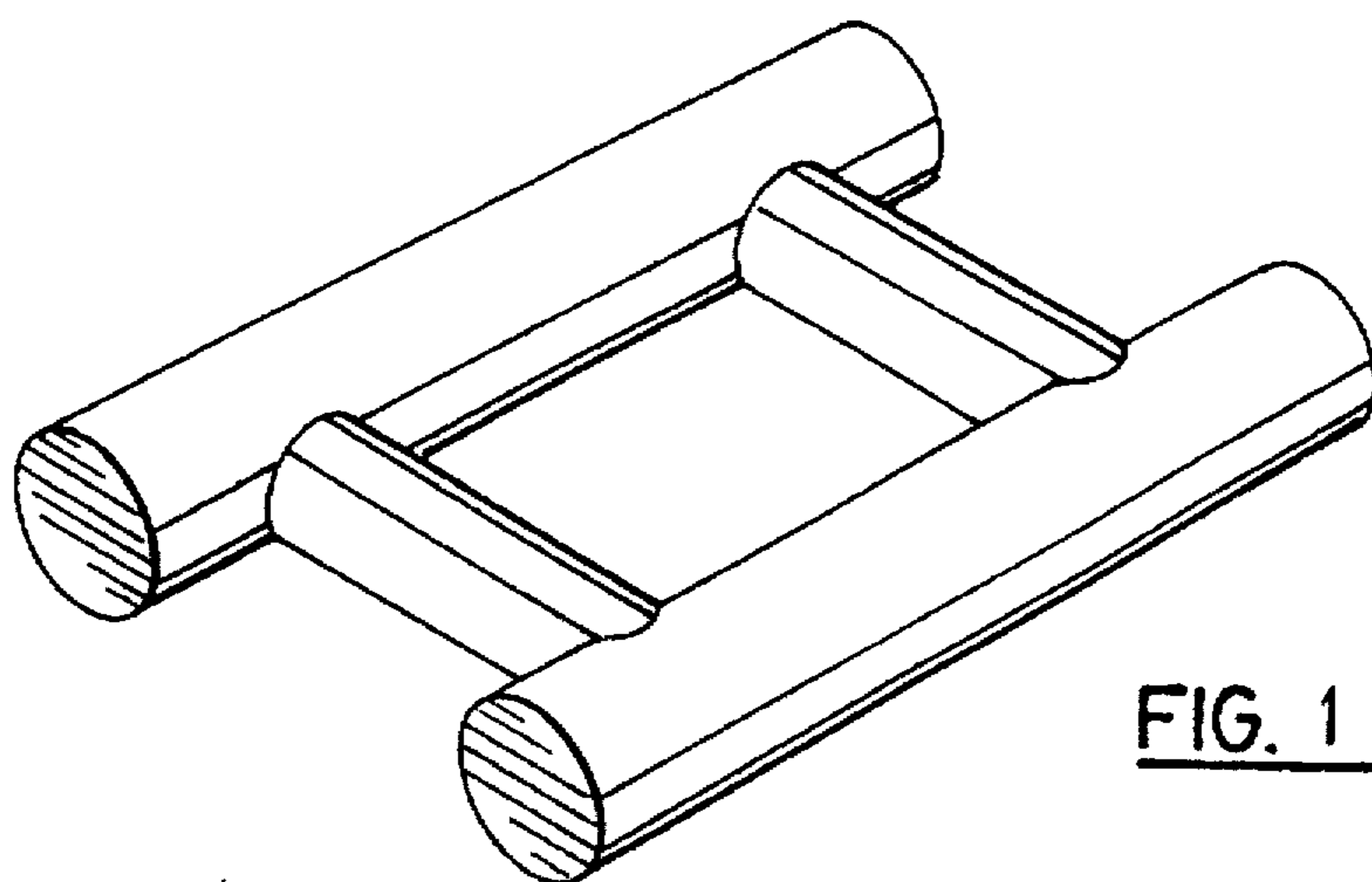


FIG. 1

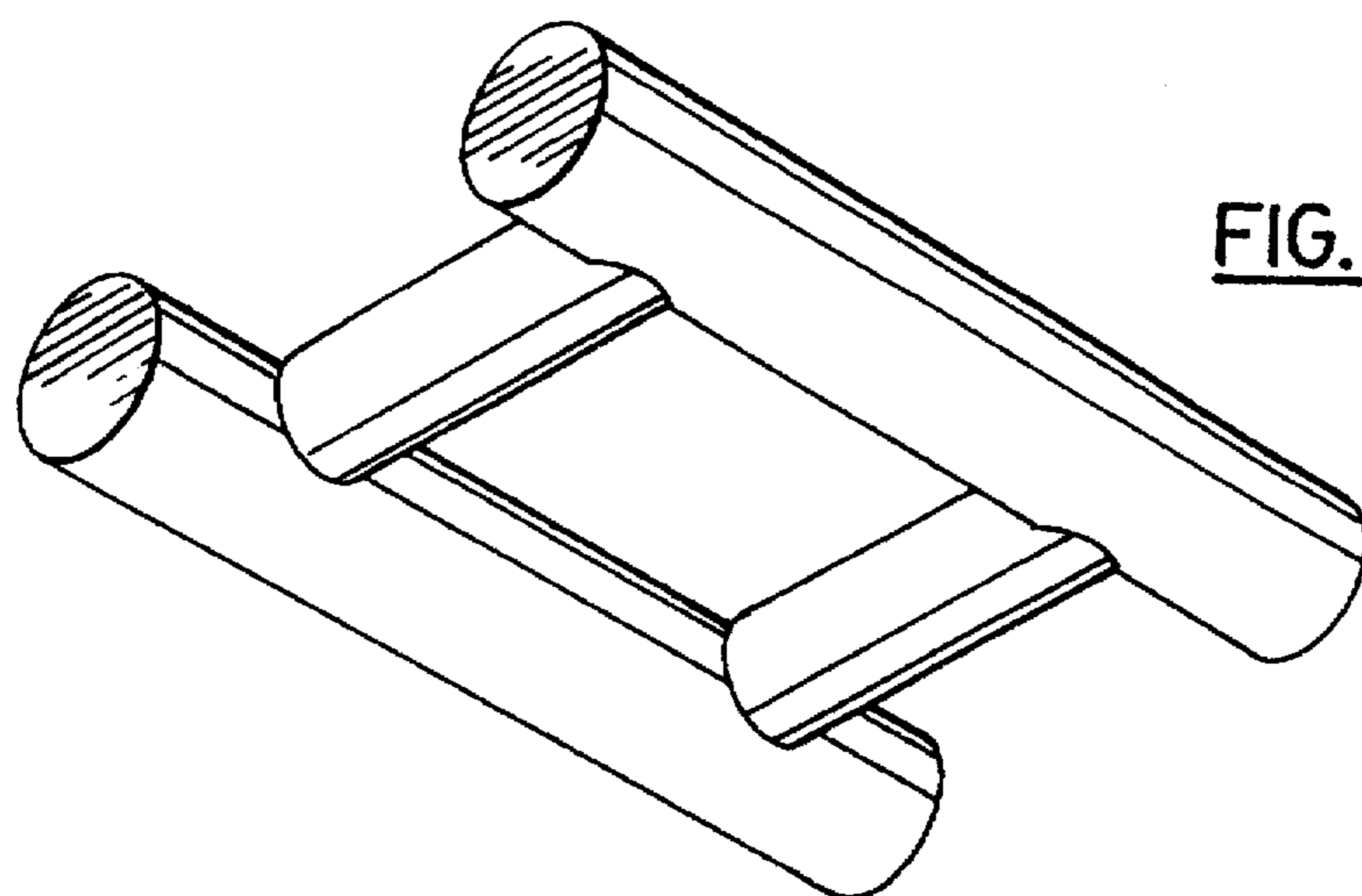


FIG. 2

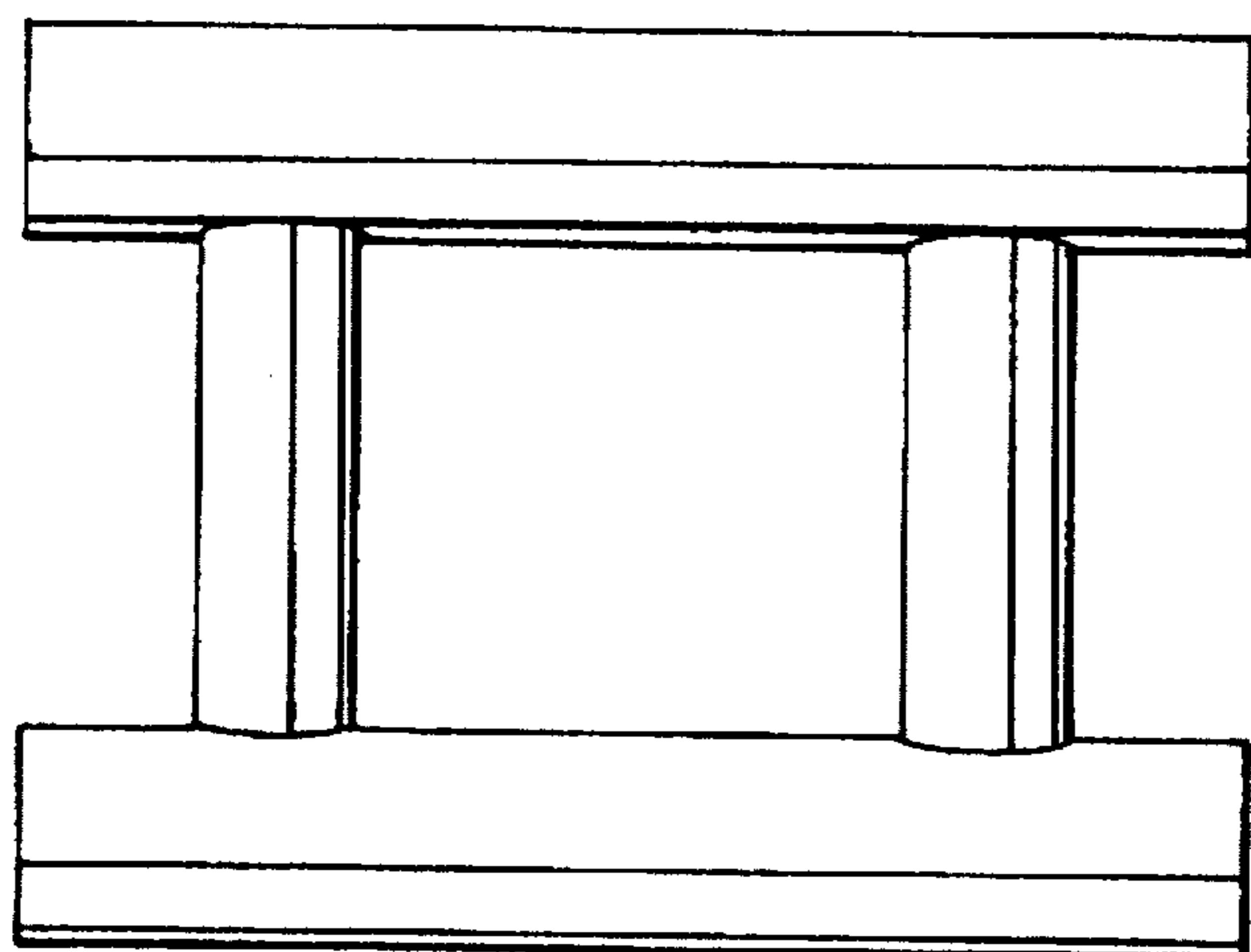
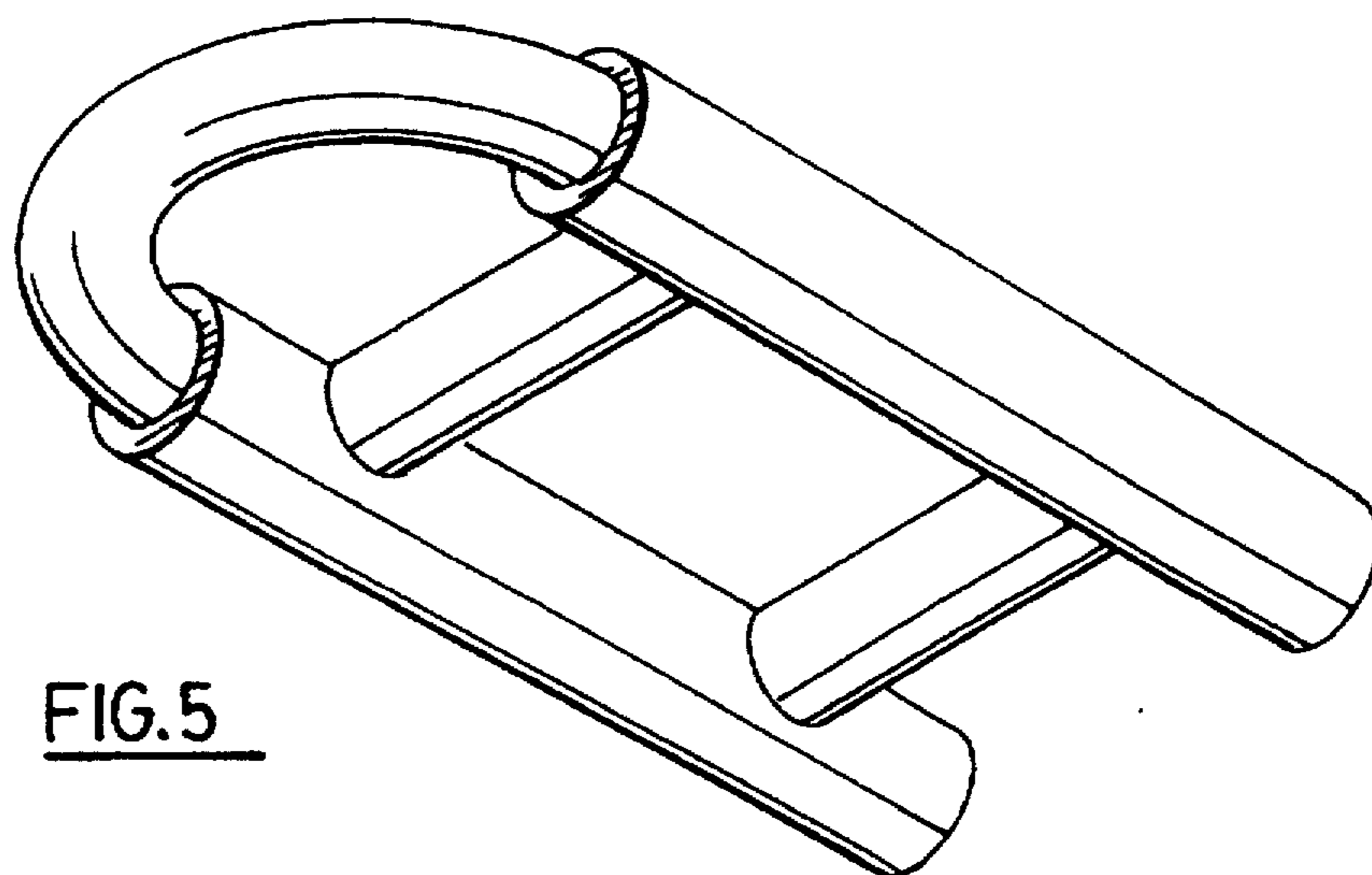
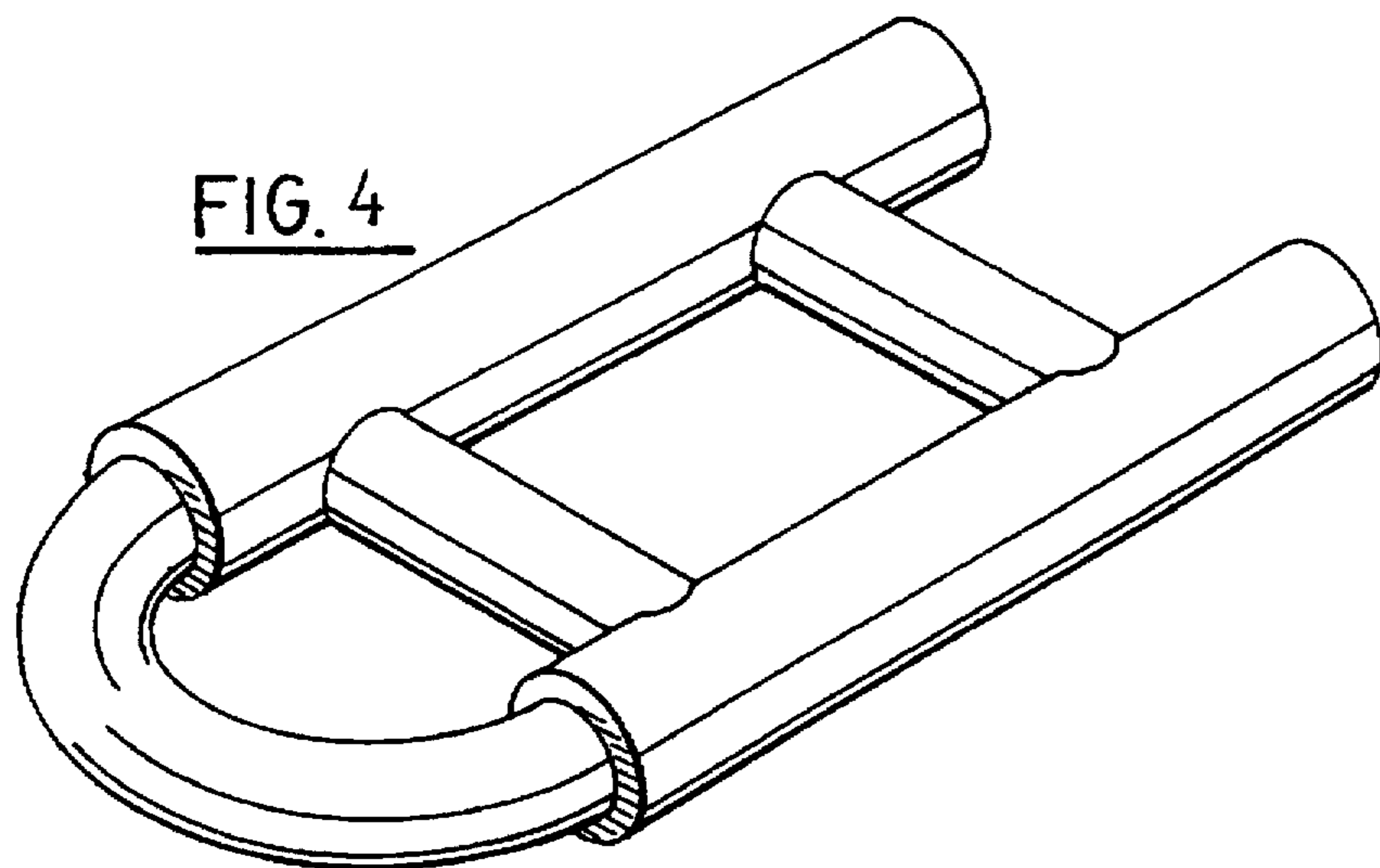


FIG. 3



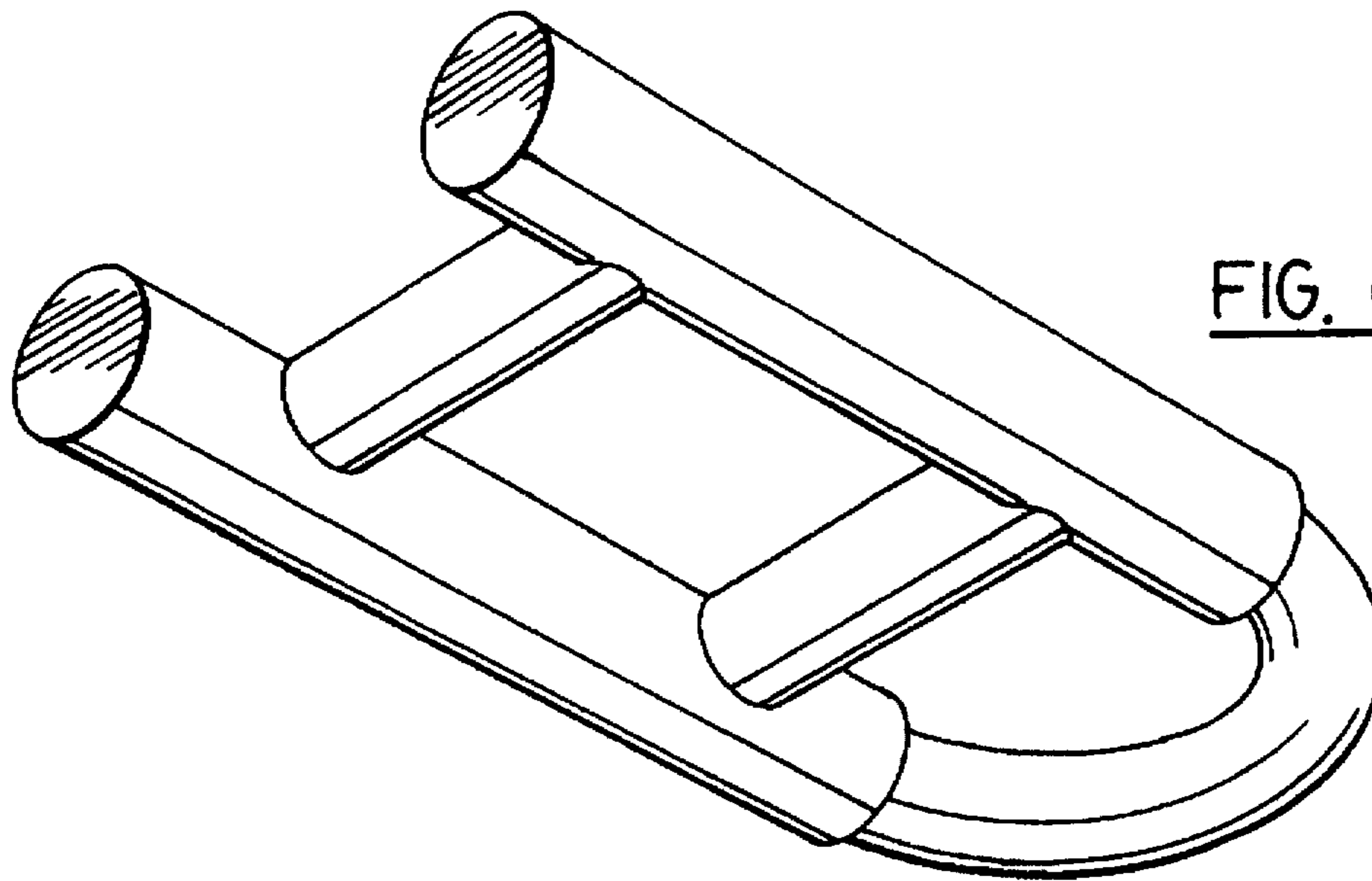


FIG. 6

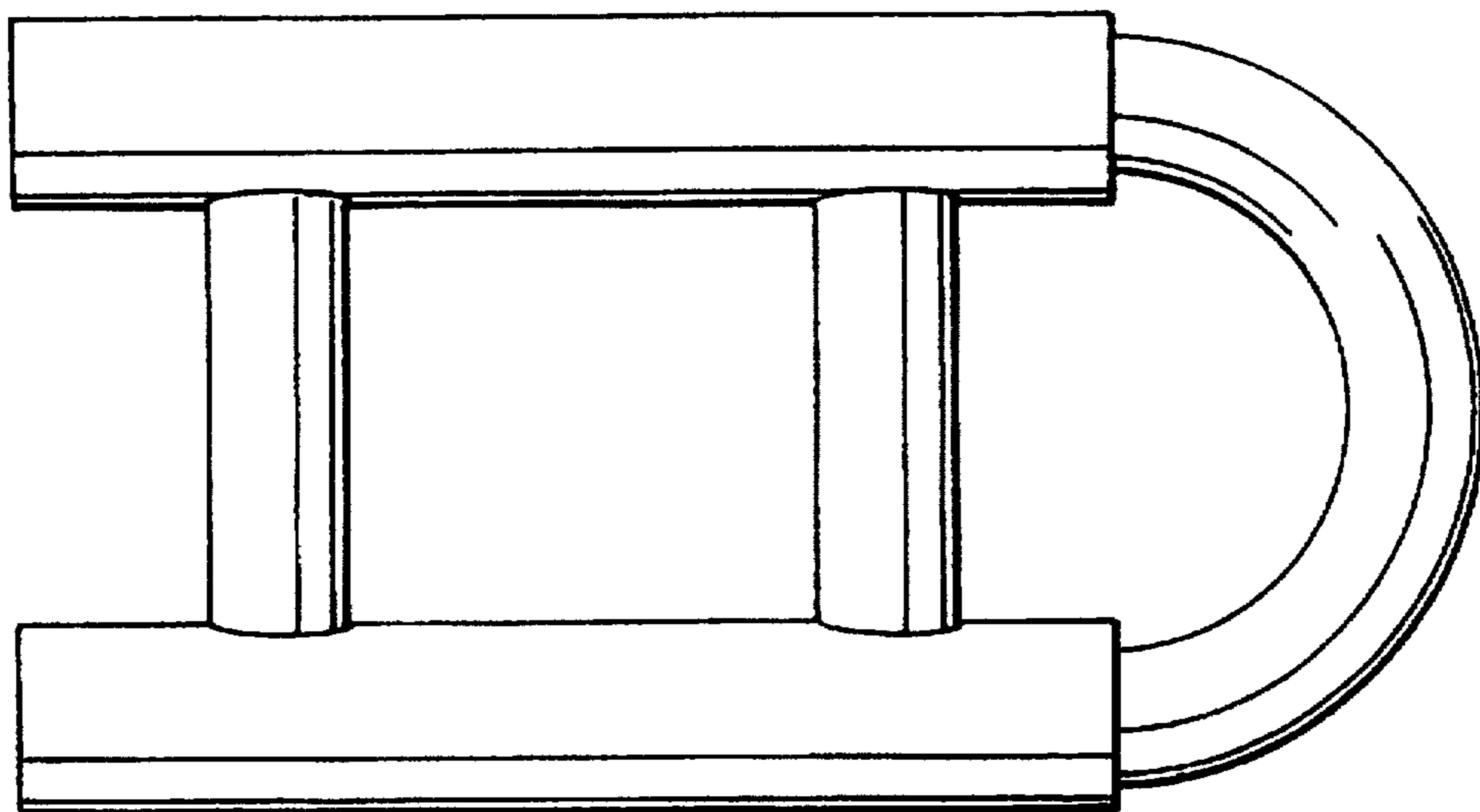


FIG. 7

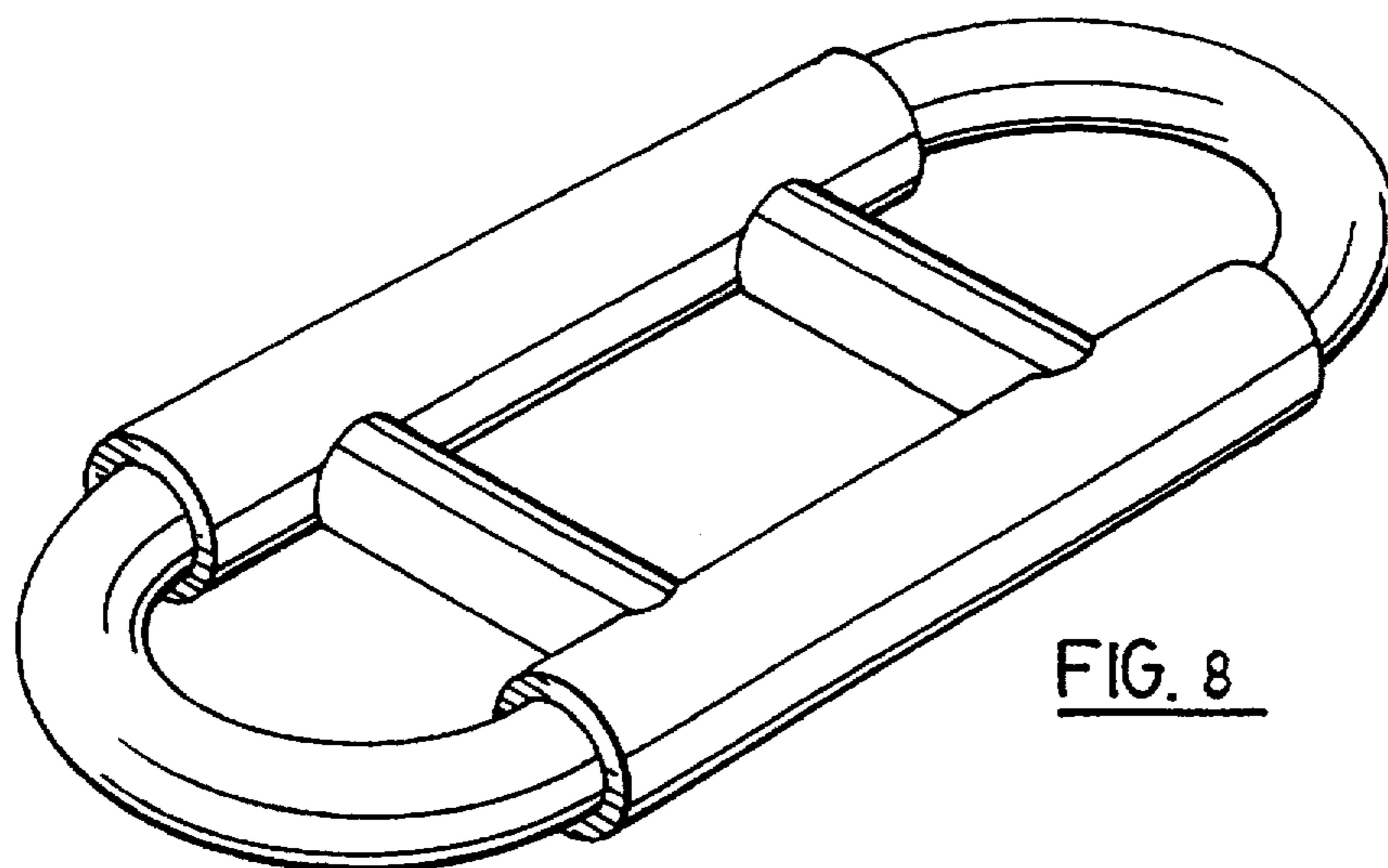


FIG. 8

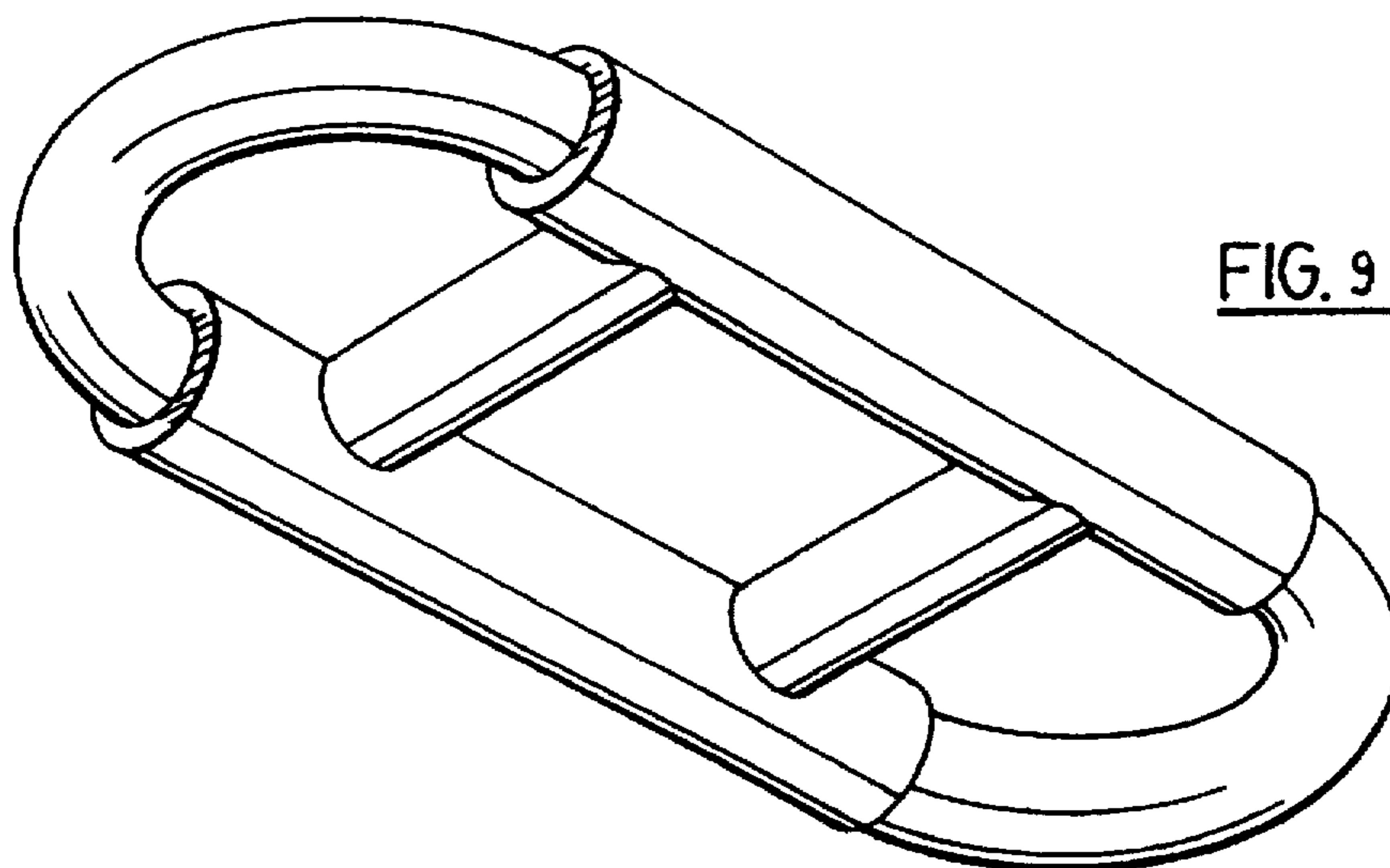


FIG. 9

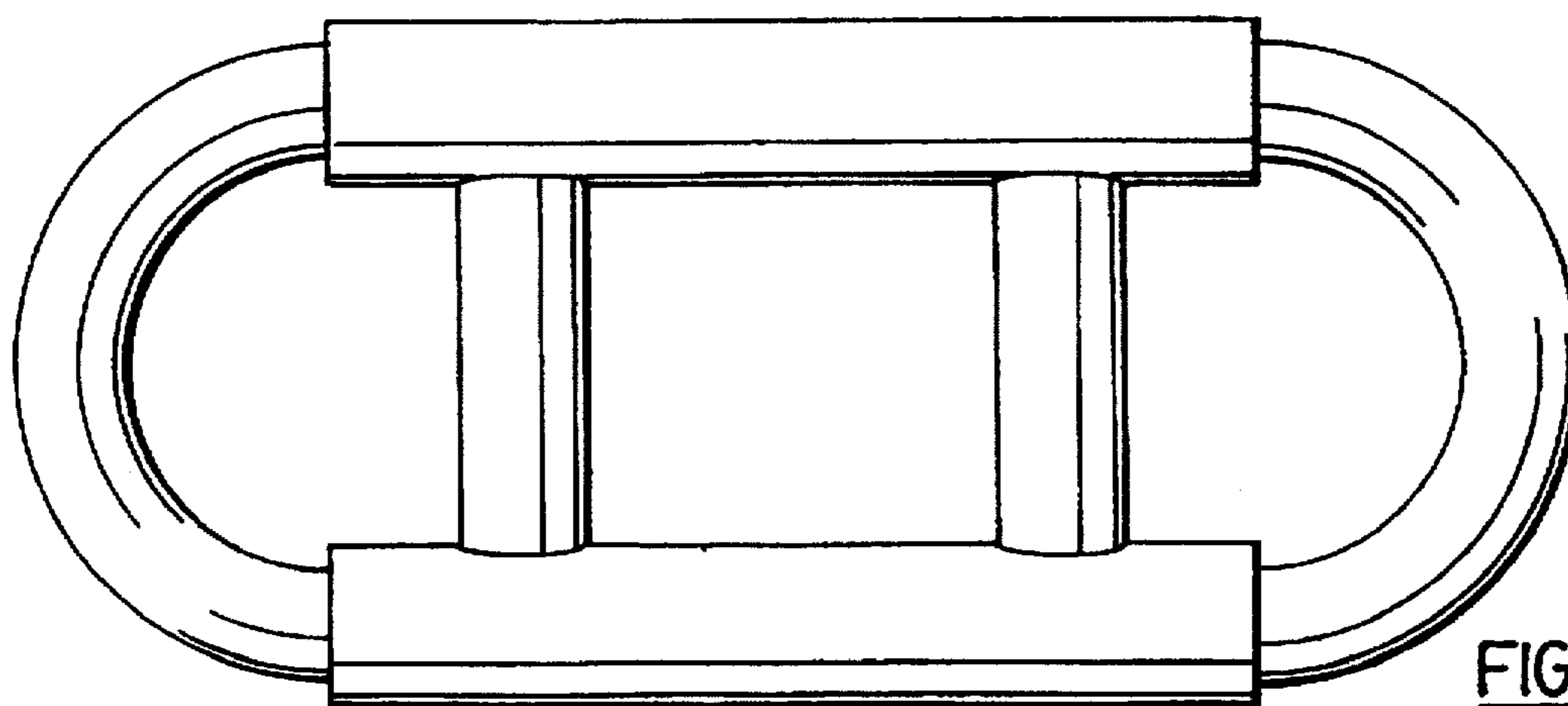


FIG. 10