



US00D388490S

**United States Patent** [19]  
**Sikorski**

[11] **Patent Number: Des. 388,490**  
[45] **Date of Patent: \*\*Dec. 30, 1997**

[54] **FLOAT**  
[75] **Inventor: Marek Sikorski, Mississauga, Canada**  
[73] **Assignee: Industrial Thermo Polymers Limited, Brampton, Canada**  
[\*\*] **Term: 14 Years**  
[21] **Appl. No.: 64,134**  
[22] **Filed: Dec. 23, 1996**  
[51] **LOC (6) Cl. .... 12-06**  
[52] **U.S. Cl. .... D21/237; D21/236**  
[58] **Field of Search .... D21/236, 237, D21/238; D12/316; 441/40, 35, 65, 130, 131, 81, 112, 136, 80; 482/111**

3,099,845 8/1963 Chamberlain ..... 441/81  
4,861,300 8/1989 Casagrande et al. .... 441/81  
5,458,515 10/1995 Buseti ..... 441/81

*Primary Examiner—Kay H. Chin*  
*Attorney, Agent, or Firm—Eugene J. A. Gierczak*

[57] **CLAIM**

The ornamental design for a float, as shown and described.

**DESCRIPTION**

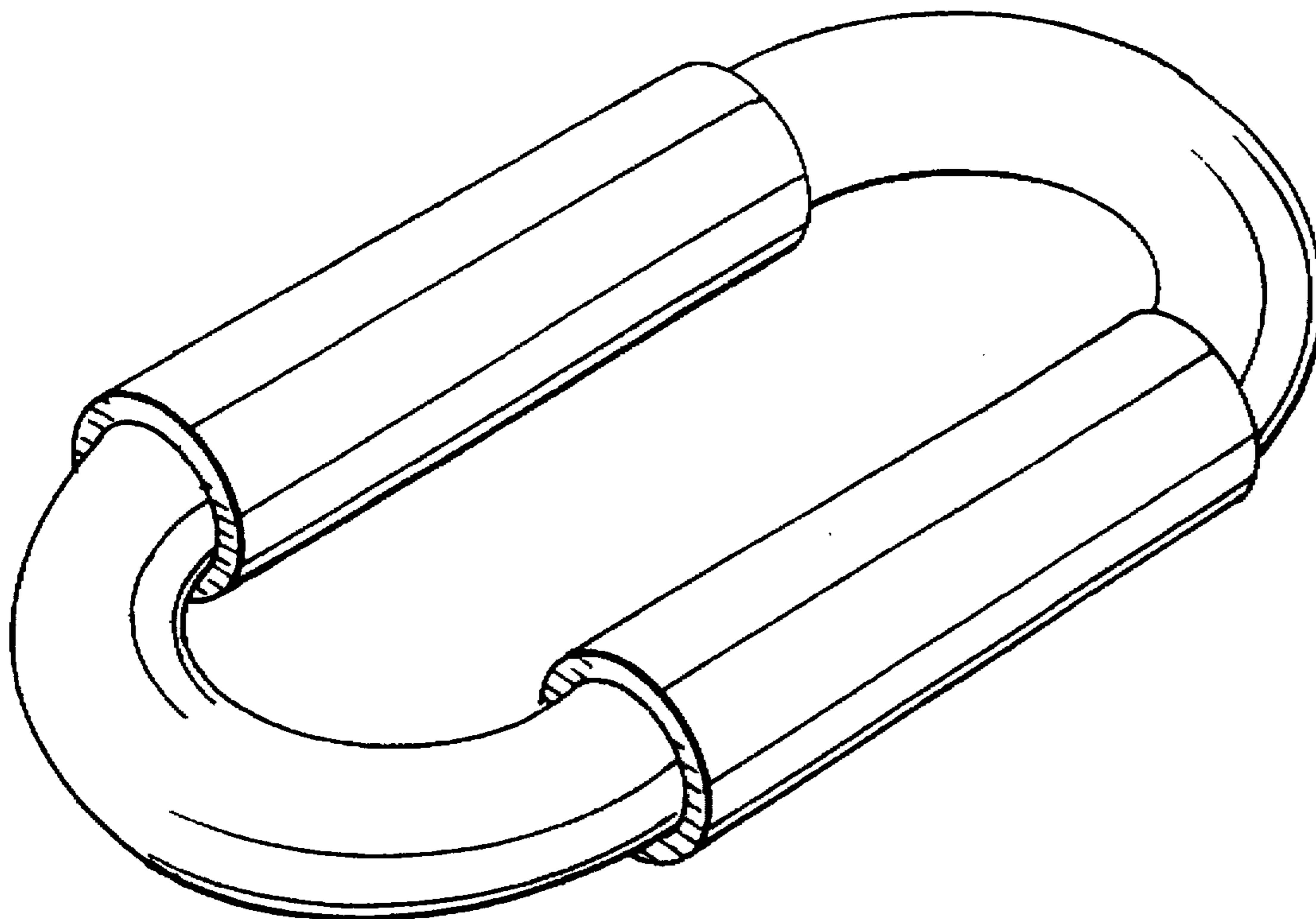
FIG. 1 is a top perspective view of a float showing my new design;  
FIG. 2 is a front, bottom perspective view thereof; and,  
FIG. 3 is a top plan view thereof.

[56] **References Cited**

**U.S. PATENT DOCUMENTS**

D. 355,466 2/1995 Wolfe ..... D21/237

**1 Claim, 1 Drawing Sheet**



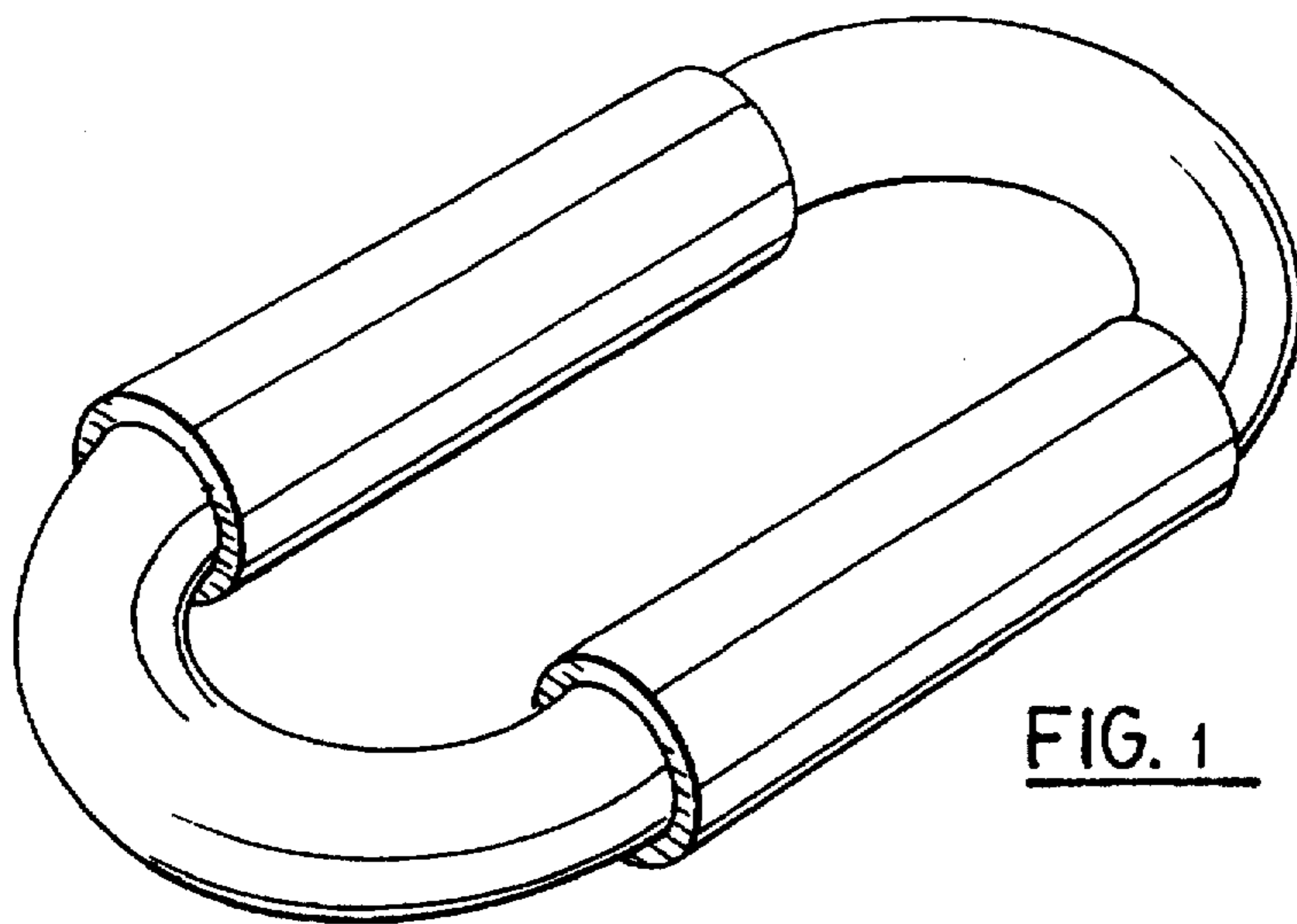


FIG. 1

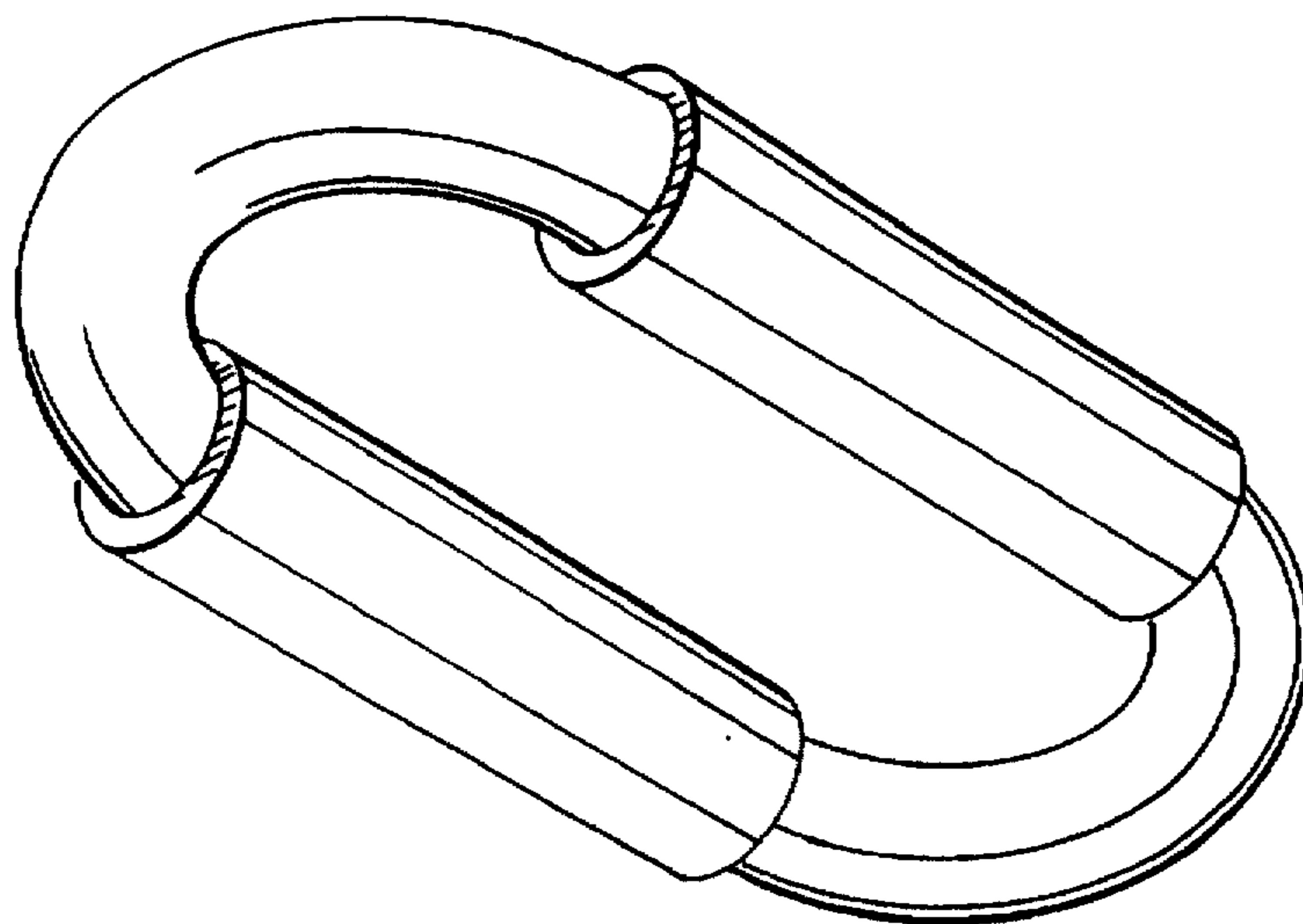


FIG. 2

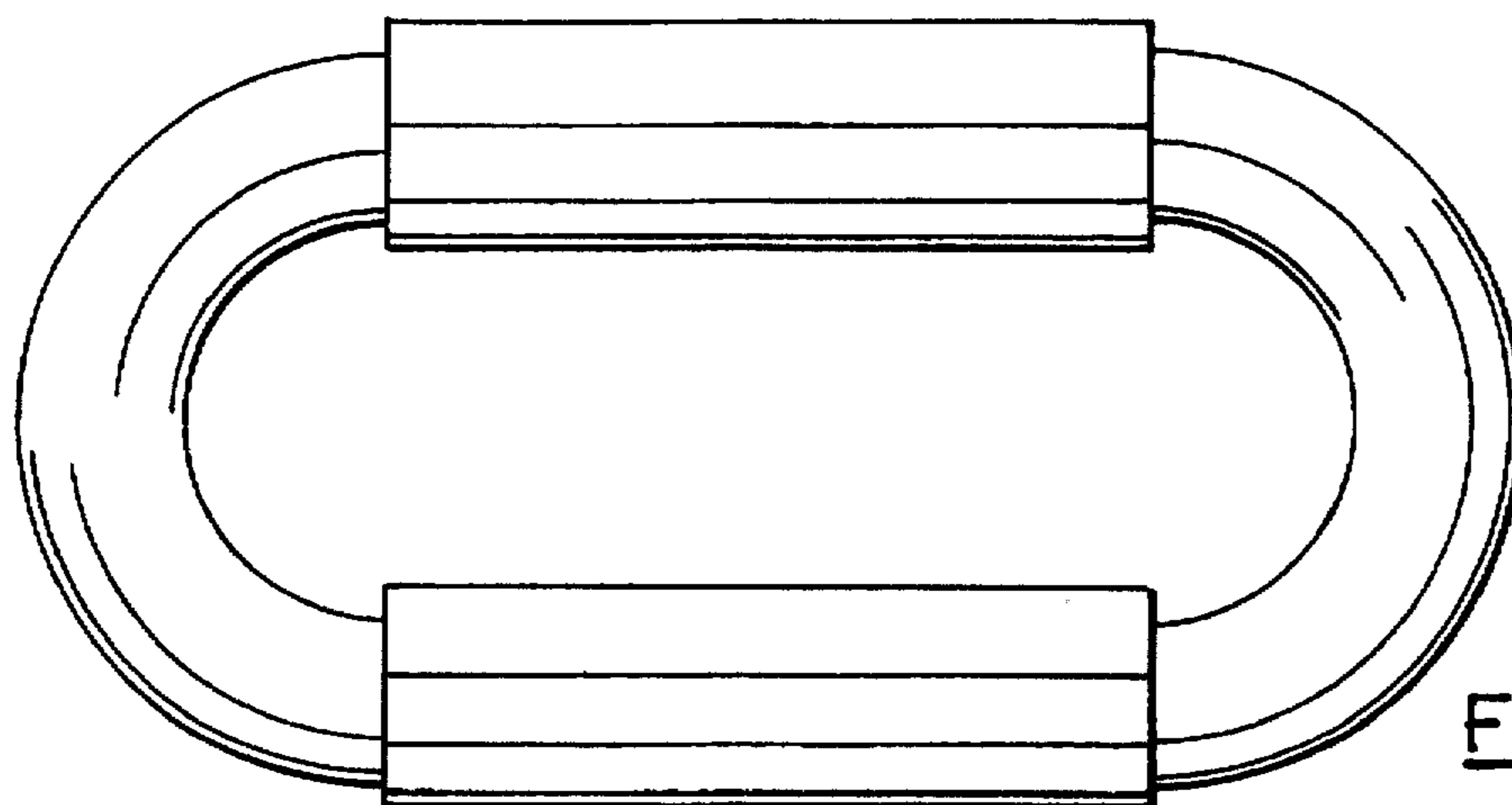


FIG. 3