



US00D388488S

# United States Patent [19]

[11] Patent Number: Des. 388,488

Cameron

[45] Date of Patent: \*\*\*Dec. 30, 1997

[54] **ANGLED HOSEL ADAPTED FOR A GOLF CLUB**

[75] Inventor: **Don T. Cameron**, Carlsbad, Calif.

[73] Assignee: **Acushnet Company**, Fairhaven, Mass.

[\*] Notice: The portion of the term of this patent subsequent to Jul. 29, 2011, has been disclaimed.

[\*\*] Term: **14 Years**

[21] Appl. No.: **55,720**

[22] Filed: **Apr. 8, 1996**

### Related U.S. Application Data

[63] Continuation-in-part of Ser. No. 51,892, Mar. 19, 1996.

[51] **LOC (6) Cl.** ..... **21-02**

[52] **U.S. Cl.** ..... **D21/221**

[58] **Field of Search** ..... **D21/217-219, D21/221; 473/305, 308, 313, 340, 341**

### [56] References Cited

#### U.S. PATENT DOCUMENTS

- D. 202,504 10/1965 Citro .
- D. 208,414 8/1967 Rueter, Jr. .
- D. 231,375 4/1974 Solheim .
- D. 310,115 8/1990 Linuma ..... D21/217
- D. 315,005 2/1991 Solheim ..... D21/219
- D. 352,539 11/1994 Griffin ..... D21/214 X
- D. 357,291 4/1995 Solheim ..... D21/217
- D. 365,615 12/1995 Shimatani ..... D21/219
- D. 368,292 3/1996 Willoughby ..... D21/219 X
- 1,703,199 7/1929 McClure .
- 3,332,684 7/1967 Solheim ..... 273/81.3
- 3,448,981 6/1969 Anweiler ..... 273/80
- 3,966,210 6/1976 Rozmus ..... 273/169
- 4,140,318 2/1979 Izett et al. .... 273/167 A

(List continued on next page.)

#### OTHER PUBLICATIONS

"*Golf Digest*", vol. 39, No. 12, pp. 3, 6, 8, 96-99 (Dec. 1988).

Ping® Putters (Patent Office stamp Jan. 14, 1991).

*Primary Examiner*—Raphael Barkai  
*Assistant Examiner*—Mitchell I. Segel  
*Attorney, Agent, or Firm*—Pennie & Edmonds LLP

### [57] CLAIM

The ornamental design for an angled hosel adapted for a golf club, as shown and described.

### DESCRIPTION

FIG. 1 is a top plan view of an angled hosel showing my new design;

FIG. 2 is a bottom plan view thereof;

FIG. 3 is a front elevational view thereof;

FIG. 4 is a rear elevational view thereof;

FIG. 5 is a side elevational view thereof;

FIG. 6 is an opposite side elevational view thereof;

FIG. 7 is a top plan view of a second embodiment of an angled hosel adapted for a golf club as disclosed in FIG. 1;

FIG. 8 is a bottom plan view of the hosel shown in FIG. 7;

FIG. 9 is a front elevational view of the hosel shown in FIG. 7;

FIG. 10 is a rear elevational view of the hosel shown in FIG. 7;

FIG. 11 is a side elevational view of the hosel shown in FIG. 7;

FIG. 12 is an opposite side elevational view of the hosel shown in FIG. 7;

FIG. 13 is a top plan view of a third embodiment of an angled hosel adapted for a golf club as disclosed in FIG. 1;

FIG. 14 is a bottom plan view of the hosel shown in FIG. 13;

FIG. 15 is a front elevational view of the hosel shown in FIG. 13;

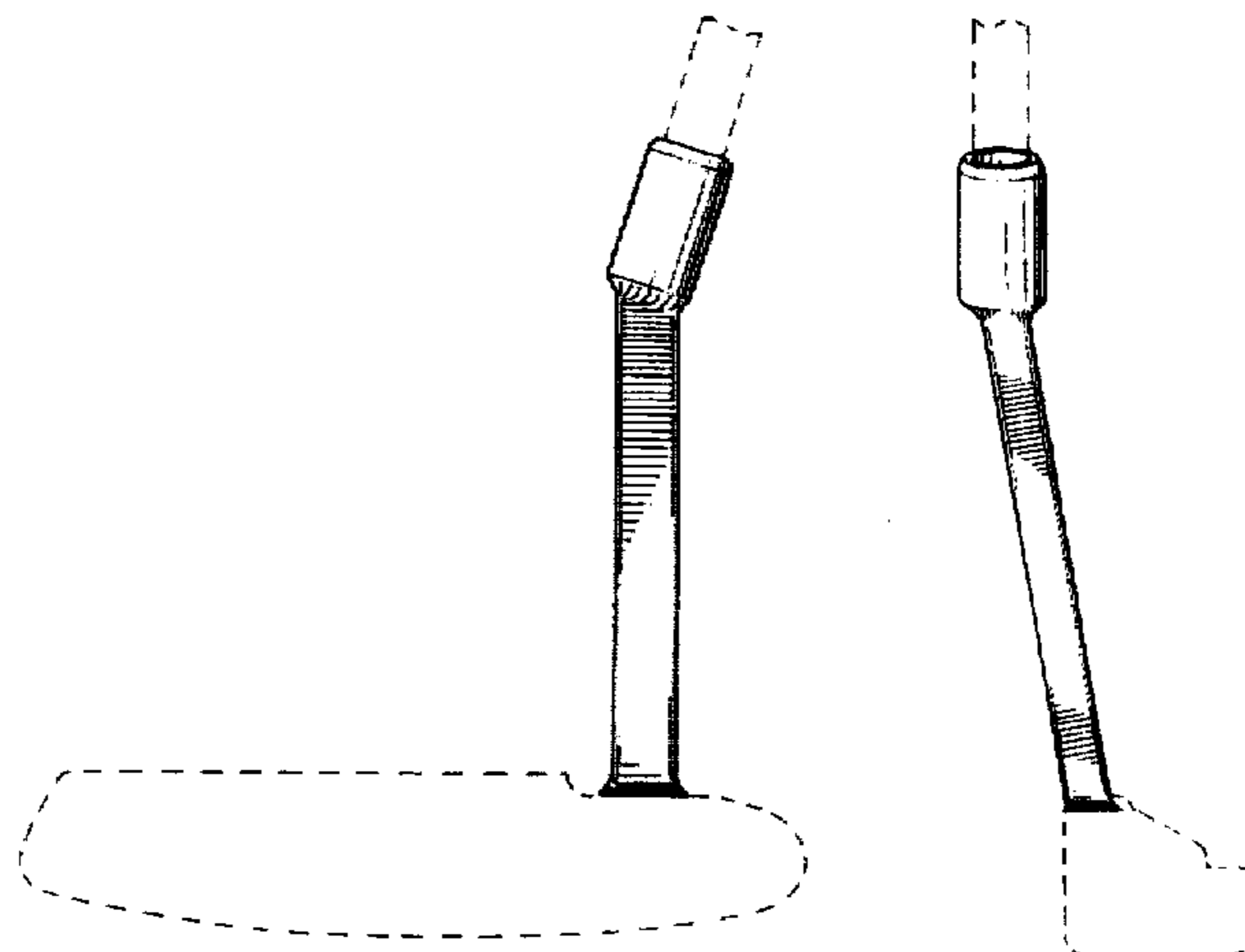
FIG. 16 is a rear elevational view of the hosel shown in FIG. 13;

FIG. 17 is a side elevational view of the hosel shown in FIG. 13; and,

FIG. 18 is an opposite side elevational view of the hosel shown in FIG. 13.

The broken lines showing a golf club head and a golf club shaft in FIGS. 1-18 are for illustrative purposes only and form no part of the claimed design.

1 Claim, 12 Drawing Sheets



U.S. PATENT DOCUMENTS			
4,265,451	5/1981	Bernhardt .....	273/167 G
5,078,398	1/1992	Reed et al. ....	273/80 A
5,197,737	3/1993	Desbiolles et al. ....	273/169
5,226,654	7/1993	Solheim .....	273/164.1
5,244,702	9/1993	Turner .....	273/80 C
5,292,128	3/1994	Solheim .....	273/164.1
5,308,068	5/1994	Strand .....	273/164.1

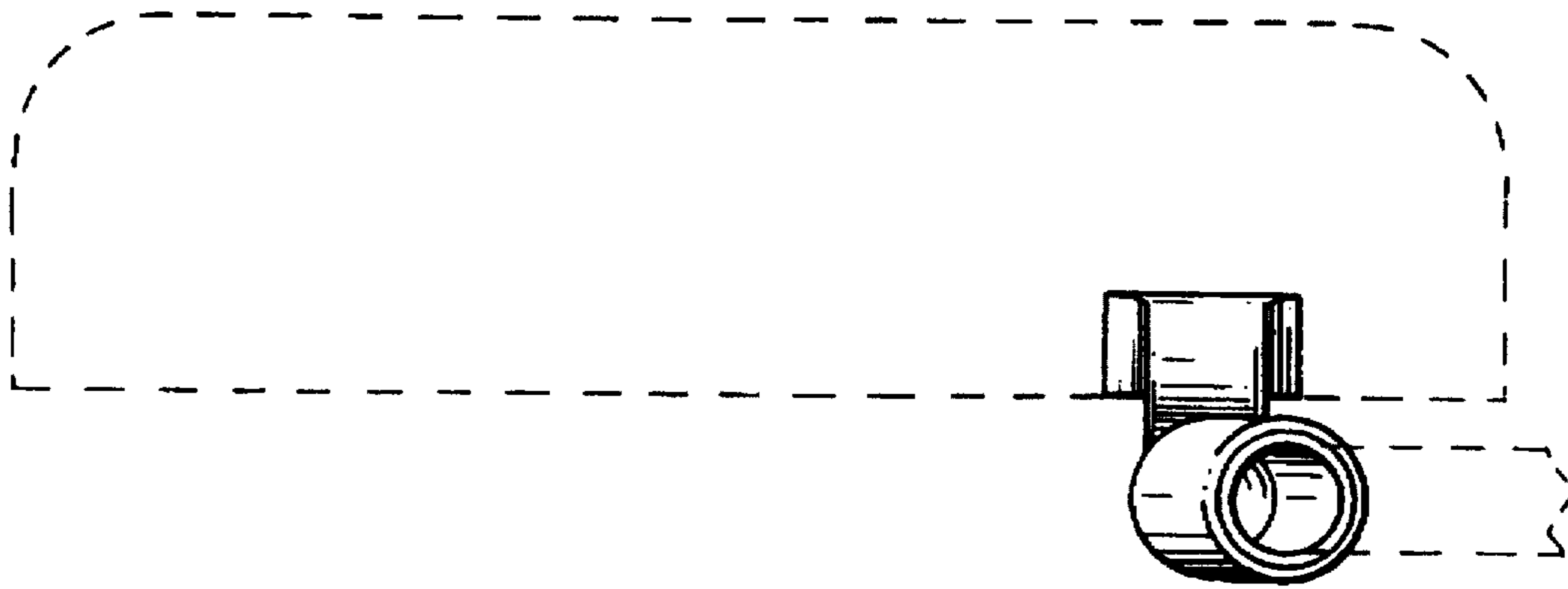


FIG. 1

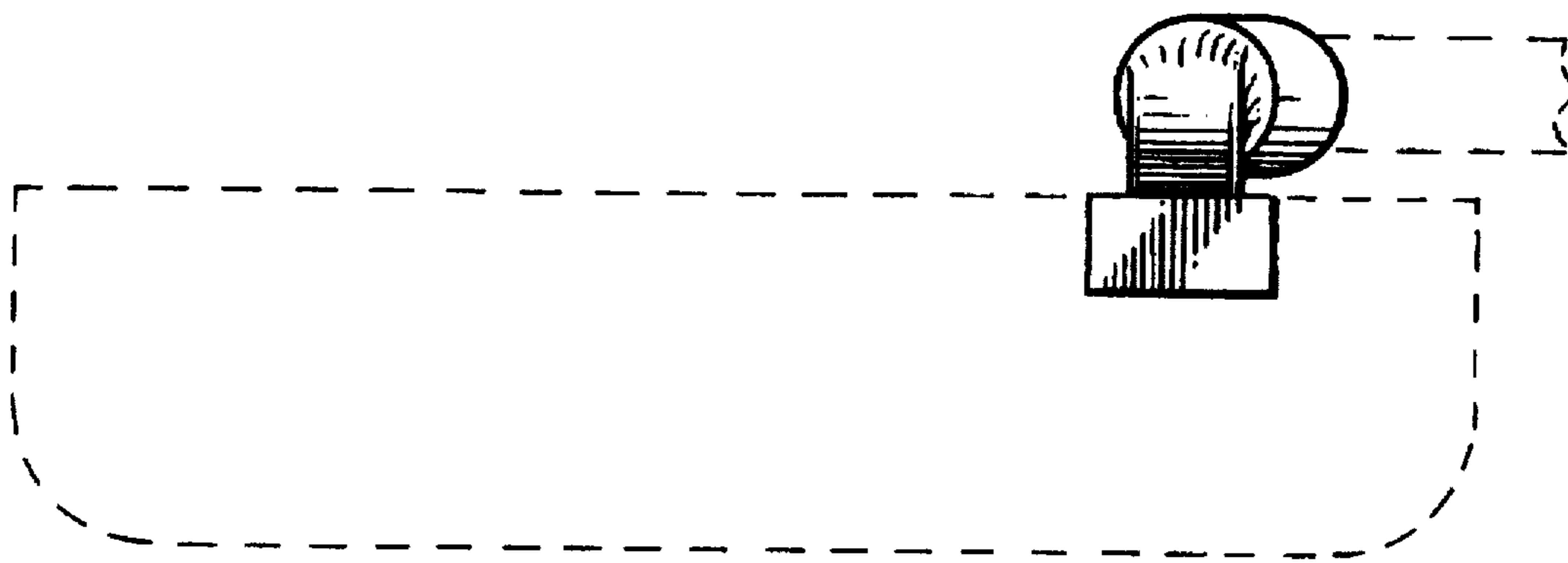


FIG. 2

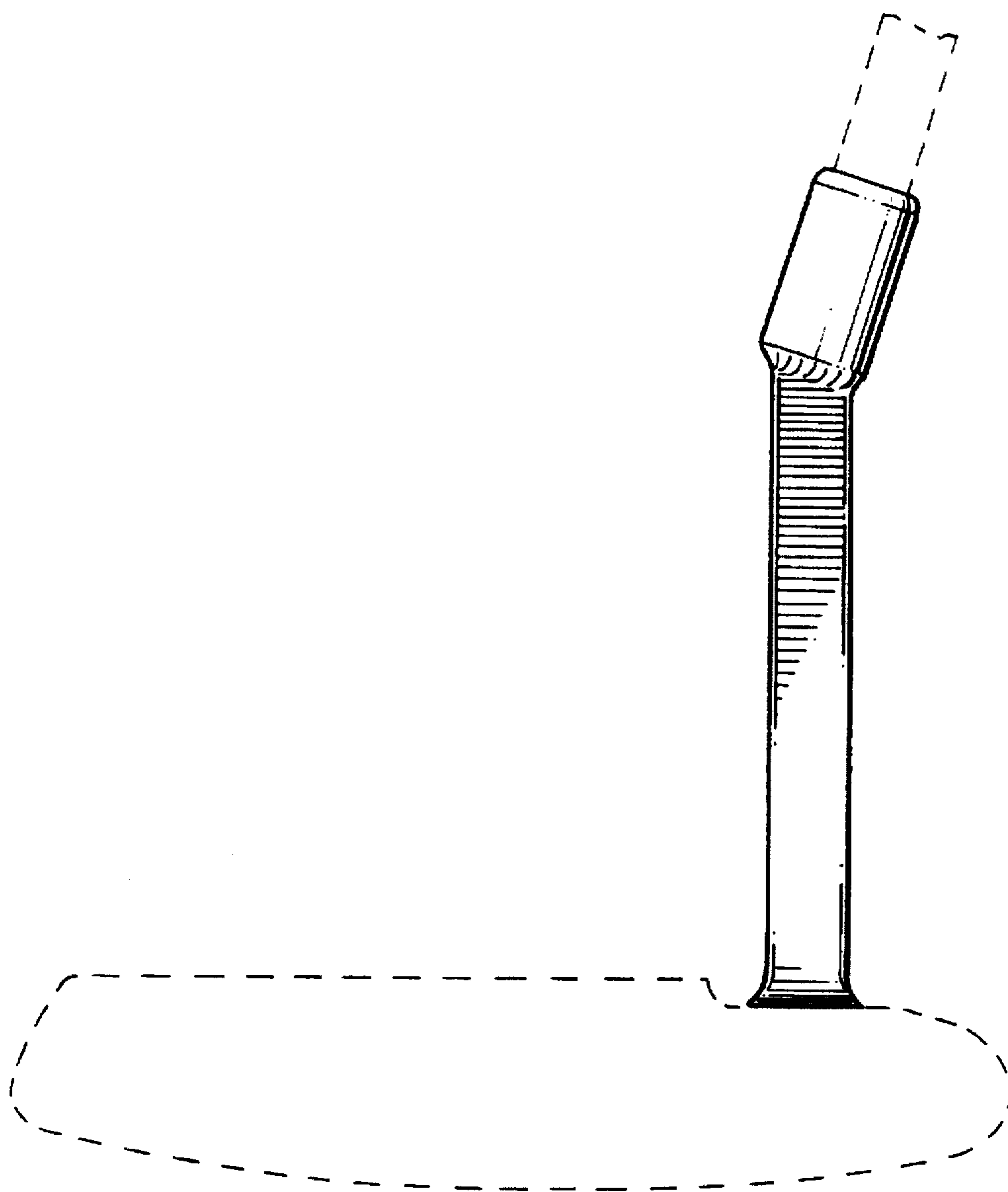


FIG. 3

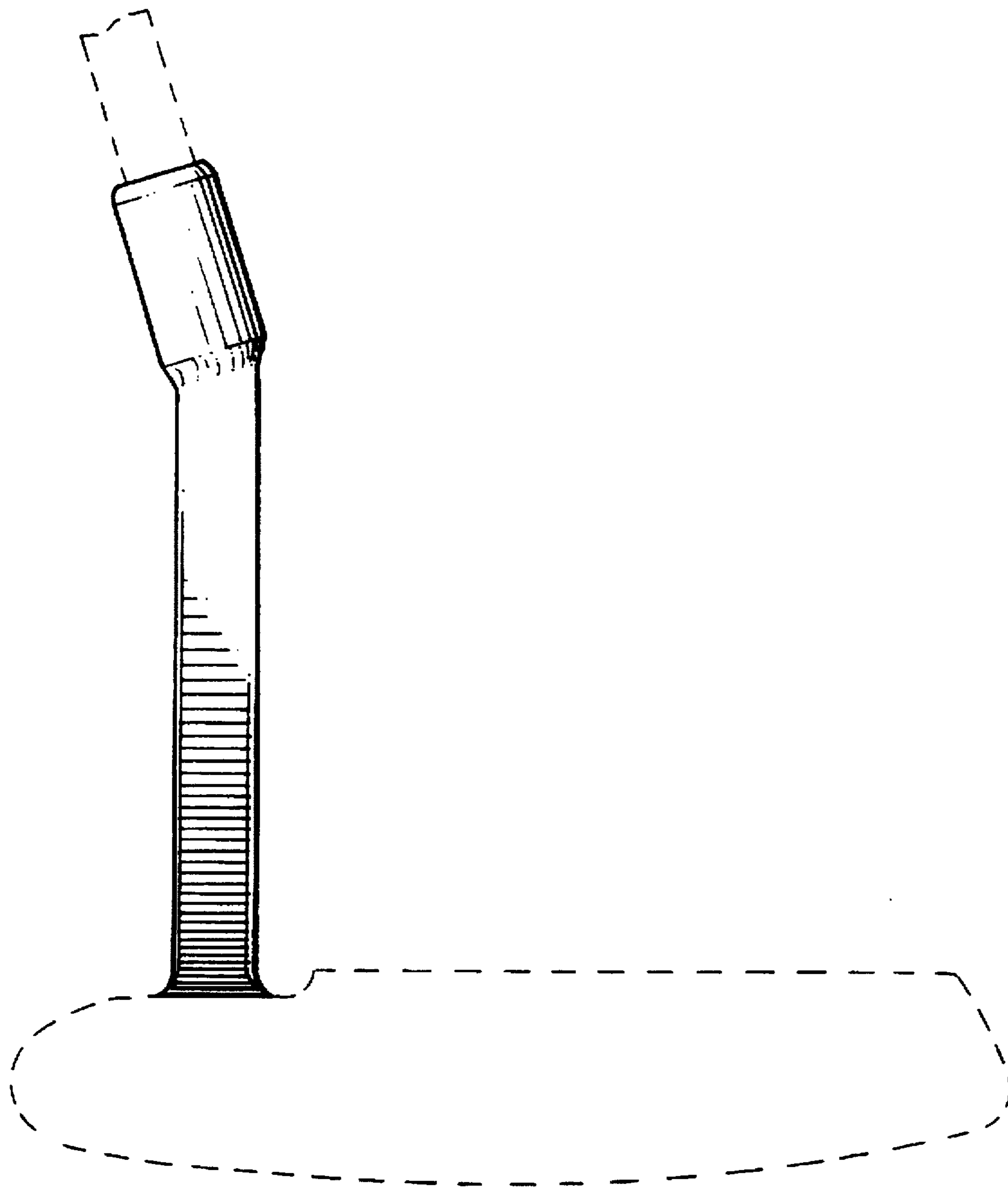


FIG. 4

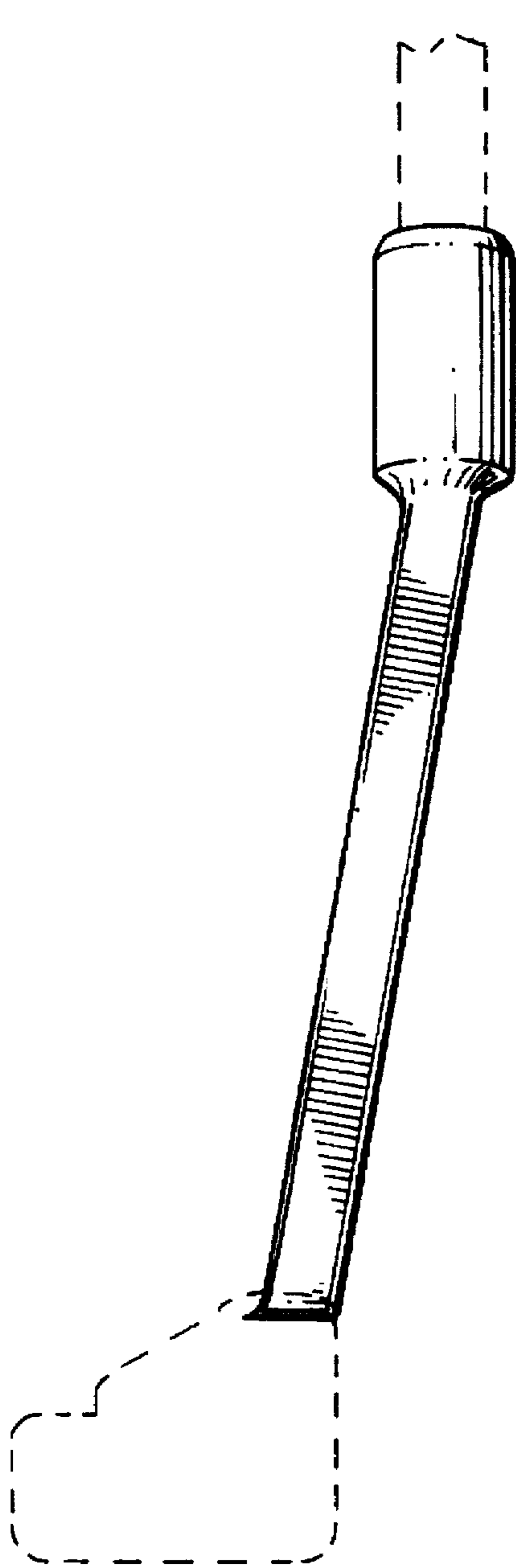


FIG. 5

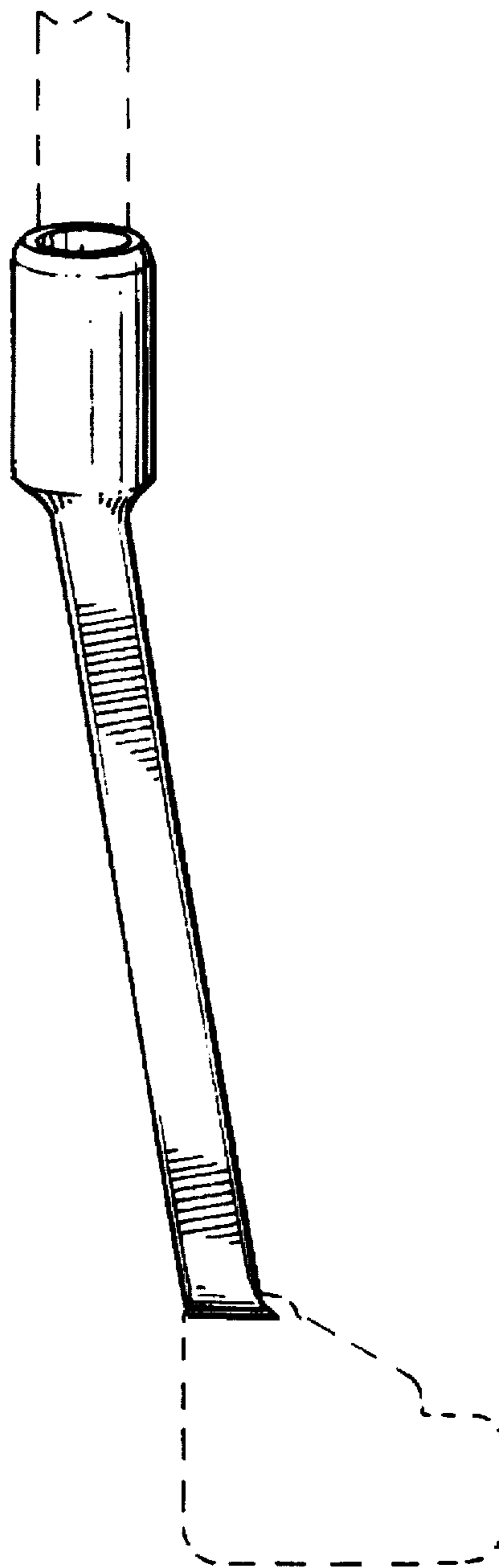


FIG. 6

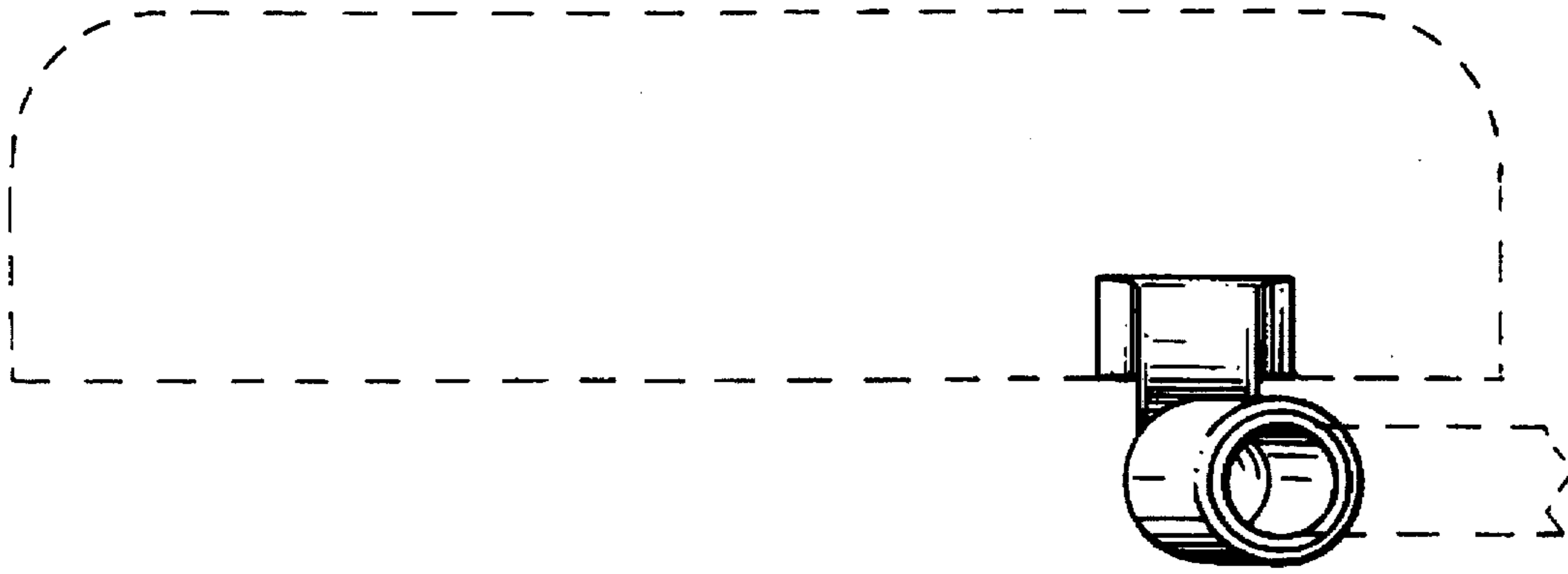


FIG. 7

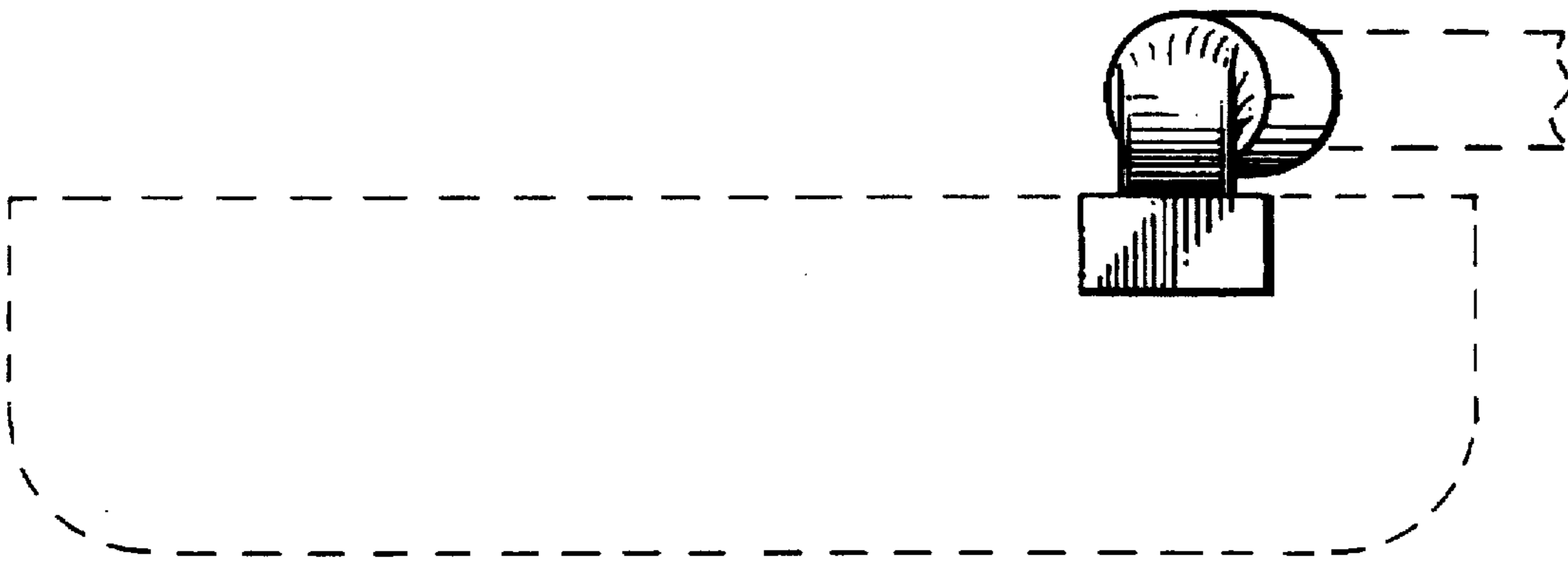


FIG. 8

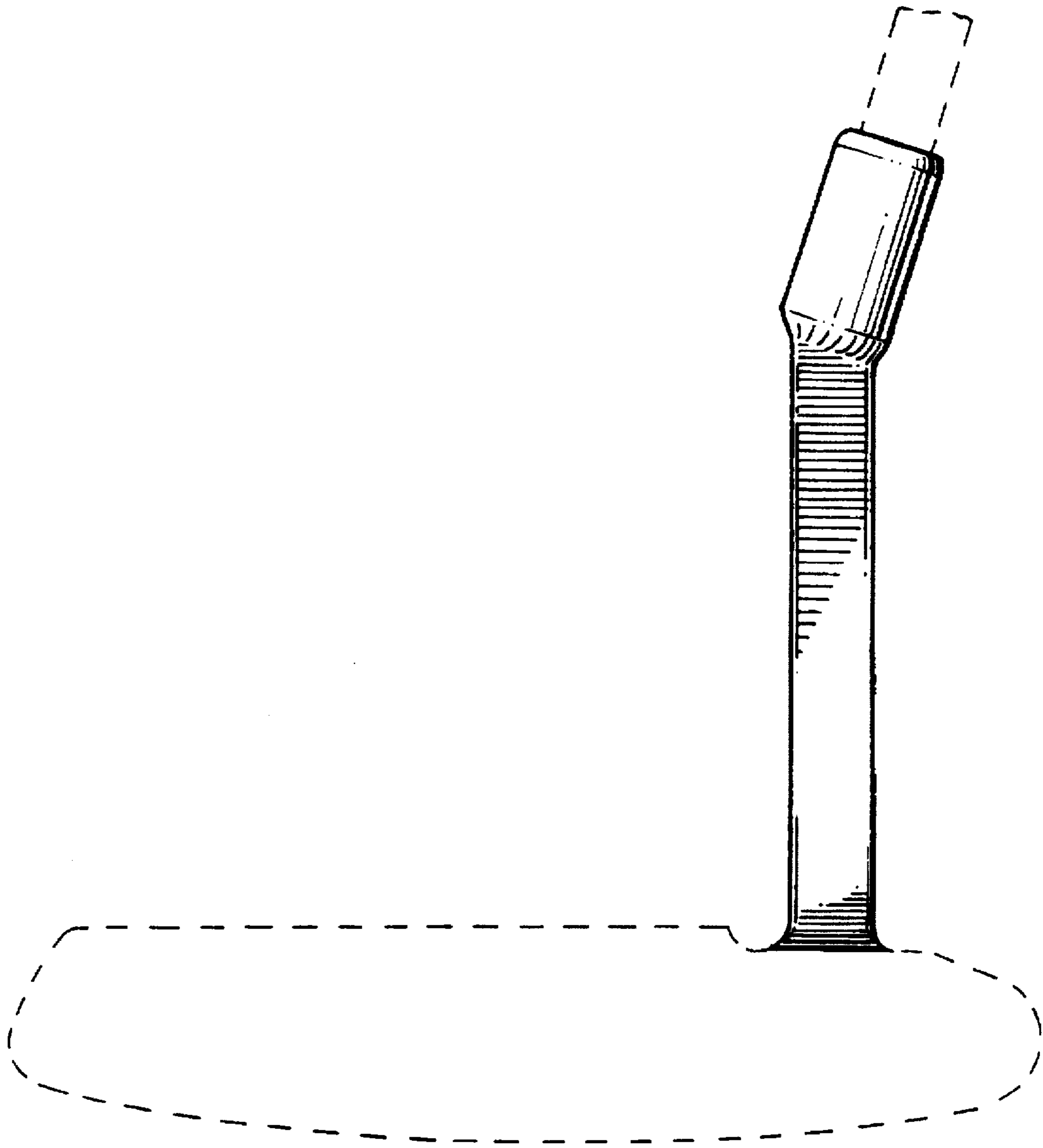


FIG. 9



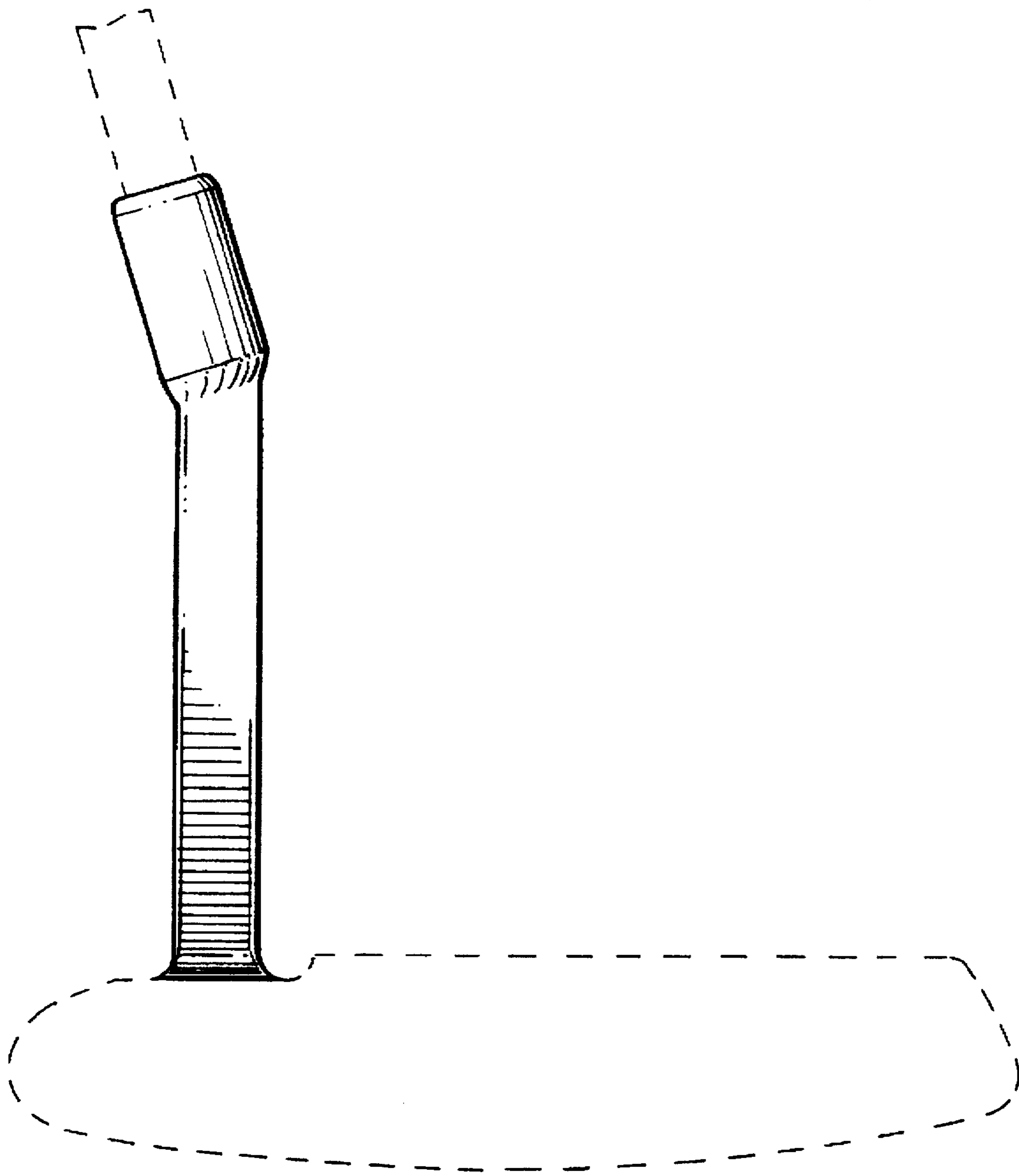


FIG. 10

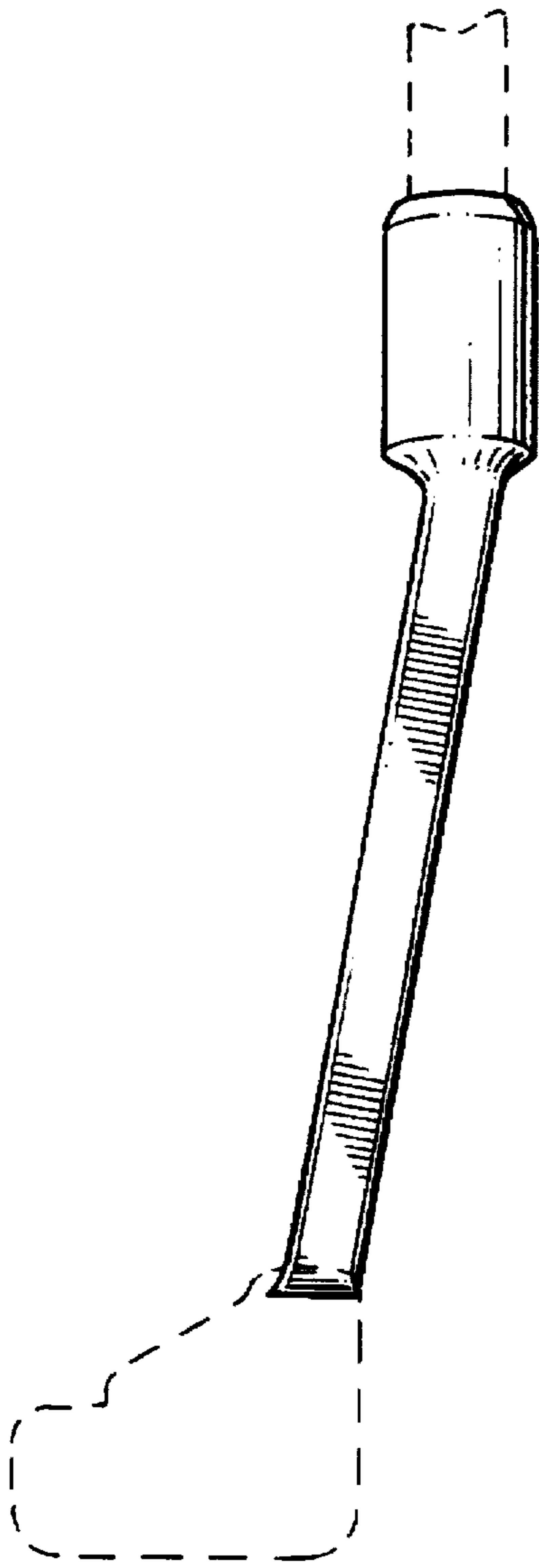


FIG. 11

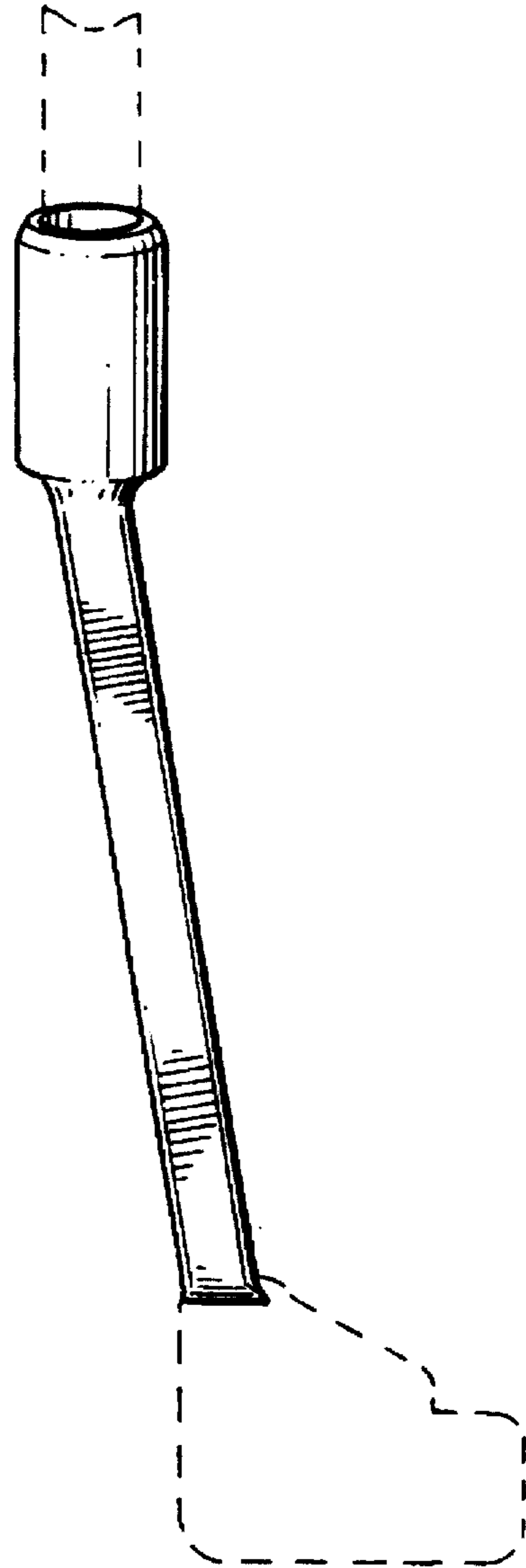


FIG. 12

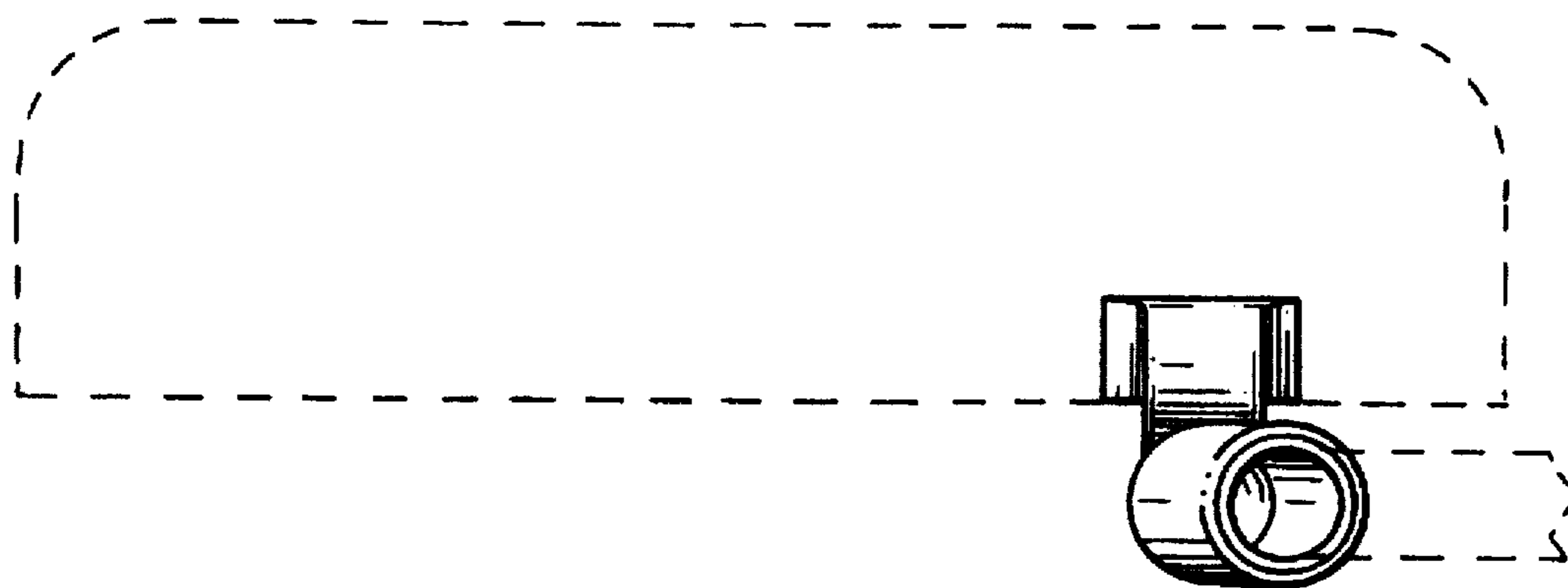


FIG. 13

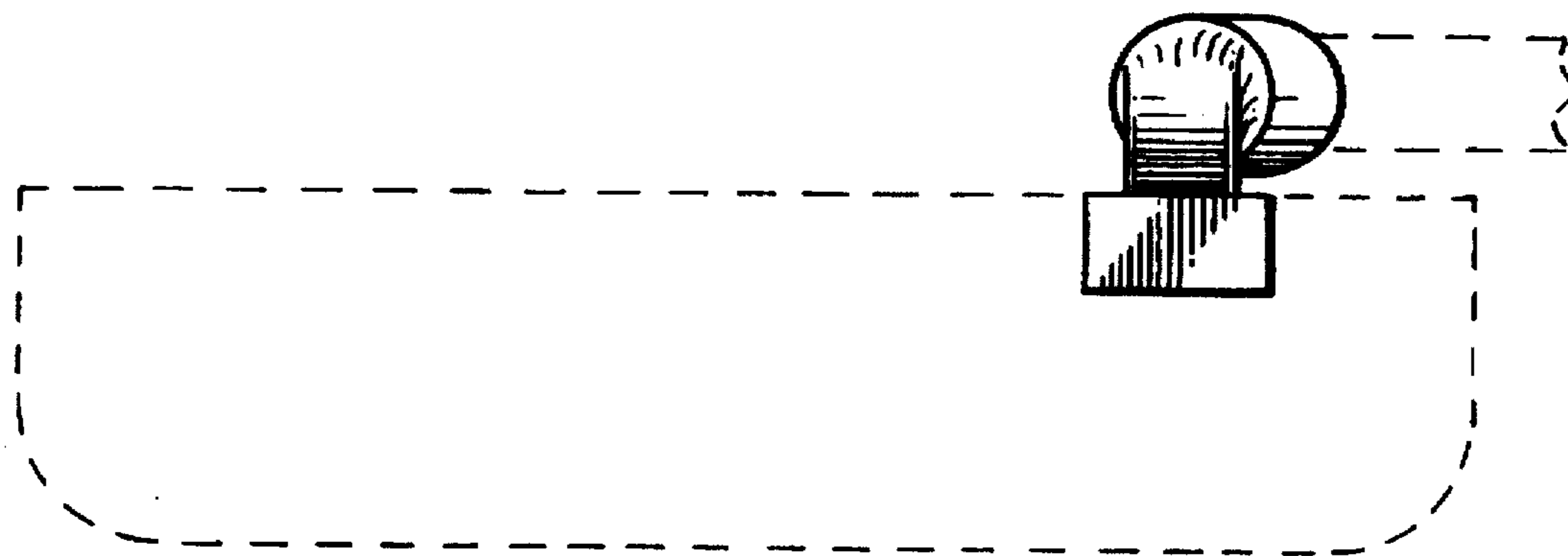


FIG. 14

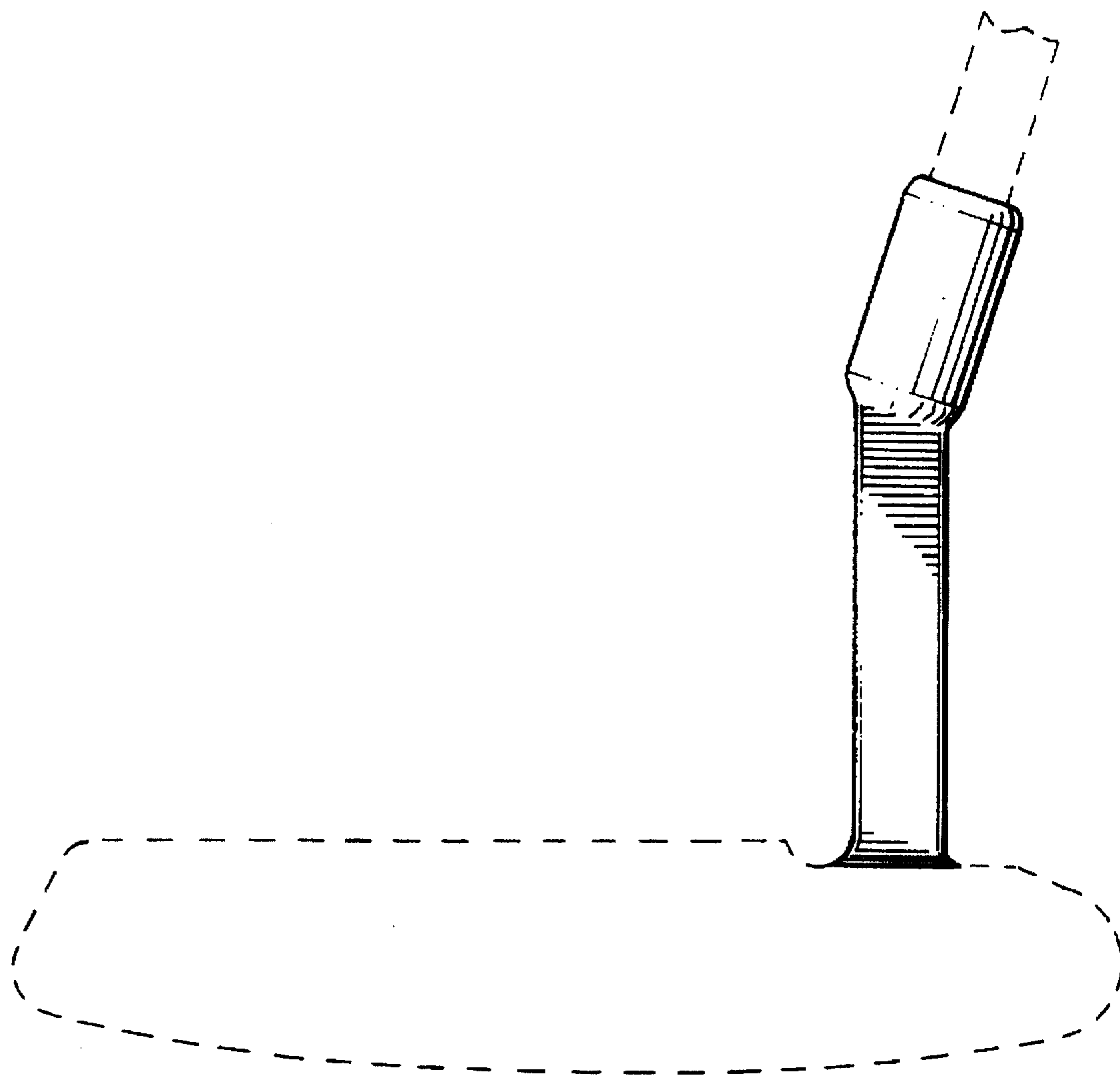


FIG. 15

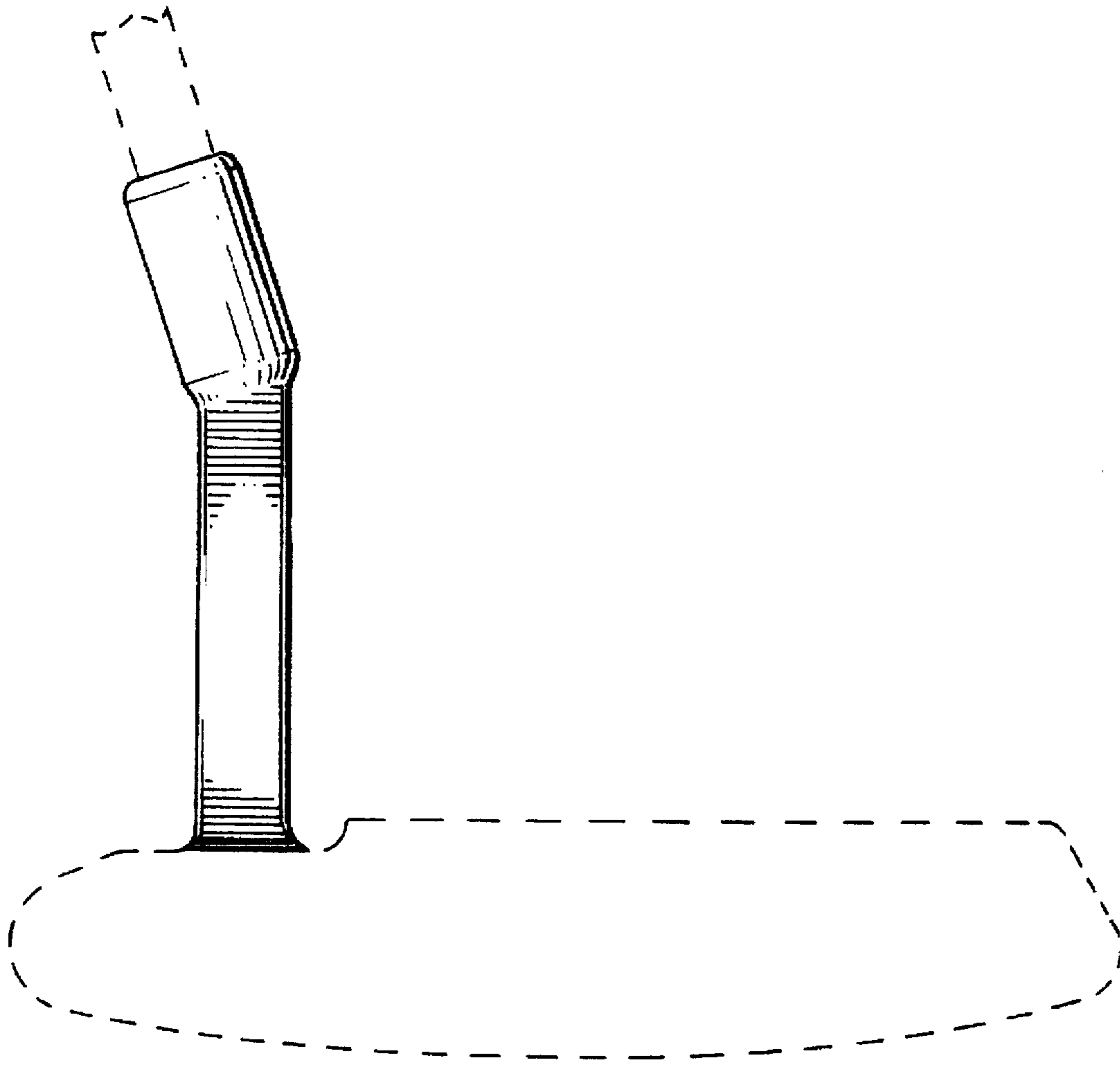


FIG. 16

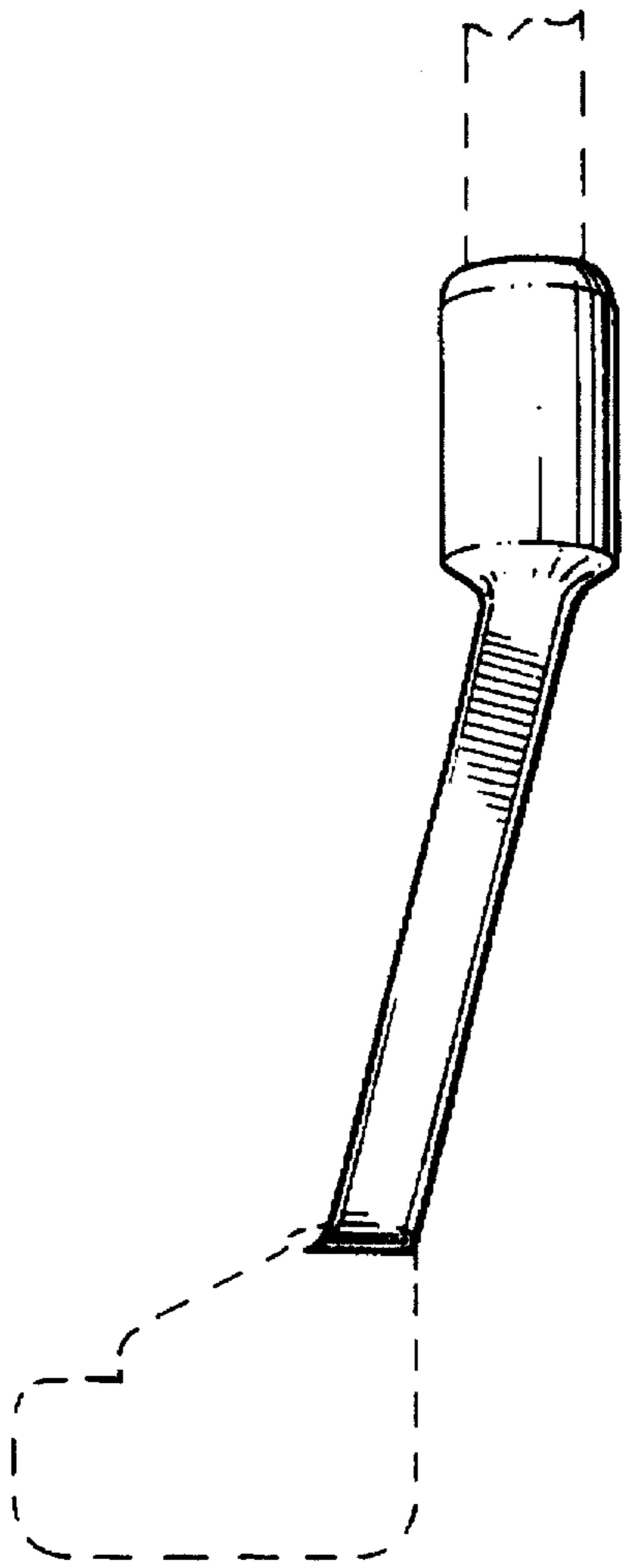


FIG. 17

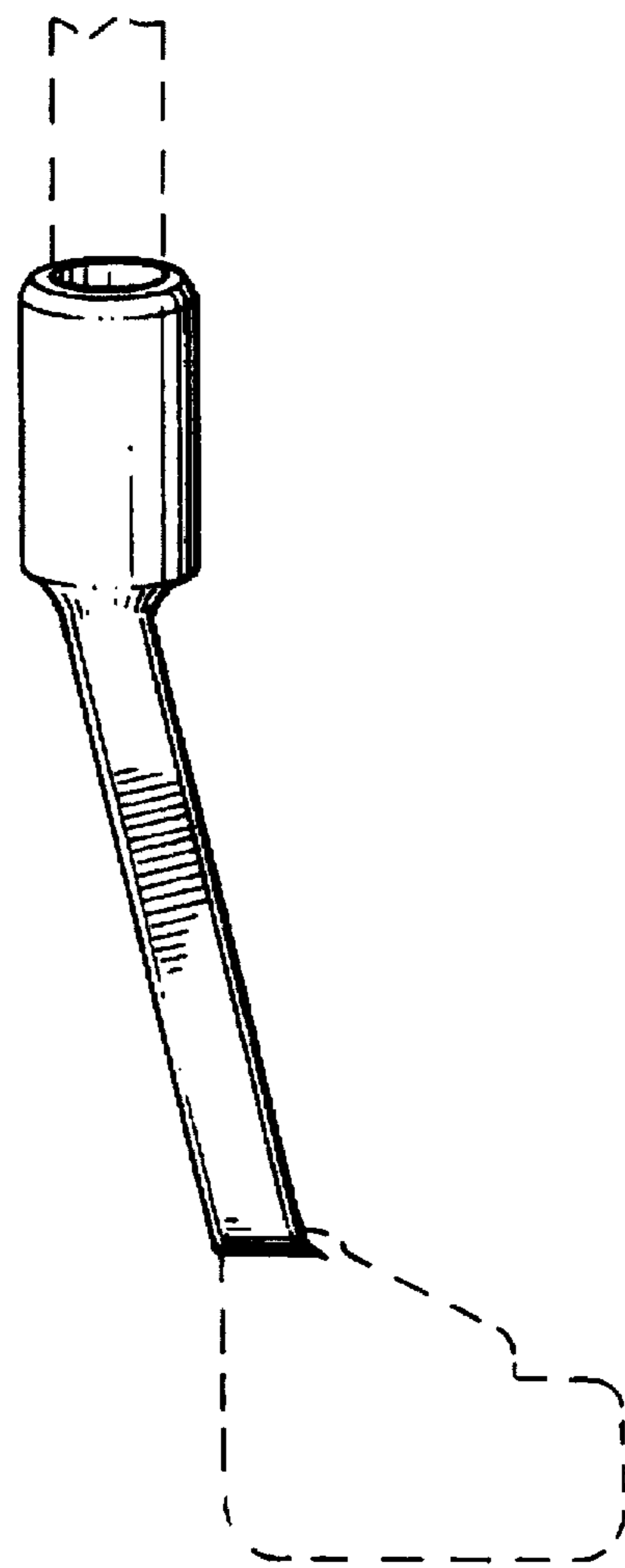


FIG. 18