



US00D388485S

United States Patent [19]

[11] Patent Number: **Des. 388,485**

Morgan et al.

[45] Date of Patent: ****Dec. 30, 1997**

[54] **GOLF PUTTER HEAD**

D. 239,951 5/1976 Carrier D21/217
D. 346,002 4/1994 Collins D21/219

[76] Inventors: **Byron Morgan; John Ortega**, both of
21574 Newland St., Huntington Beach,
Calif. 92646

Primary Examiner—Ted Shooman
Assistant Examiner—Mitchell I. Siegel
Attorney, Agent, or Firm—Dennis W. Beech

[**] Term: **14 Years**

[57] **CLAIM**

[21] Appl. No.: **62,032**

The ornamental design for a golf putter head, as shown and described.

[22] Filed: **Nov. 6, 1996**

DESCRIPTION

[51] LOC (6) Cl. **21-02**

[52] U.S. Cl. **D21/219**

[58] Field of Search D21/217-219;
473/251-255, 340, 341, 324

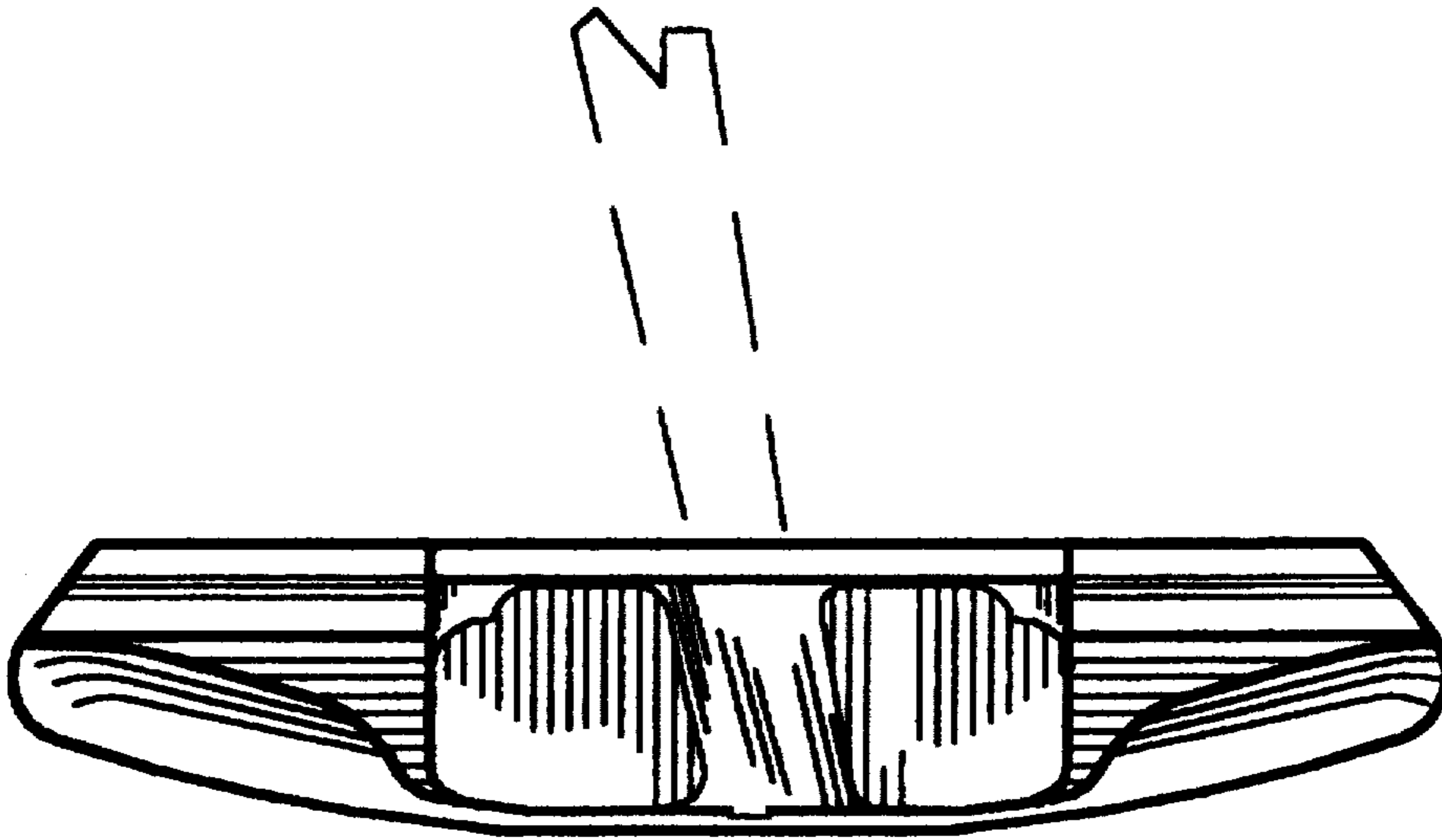
FIG. 1 is a top plan view of the golf putter head showing our new design;
FIG. 2 is a back side elevation view of the invention thereof;
FIG. 3 is a left end view thereof;
FIG. 4 is a right end view thereof;
FIG. 5 is a front side elevation view thereof; and,
FIG. 6 is a bottom plan view thereof.

[56] **References Cited**

U.S. PATENT DOCUMENTS

D. 207,227 3/1967 Solheim D21/217

1 Claim, 1 Drawing Sheet



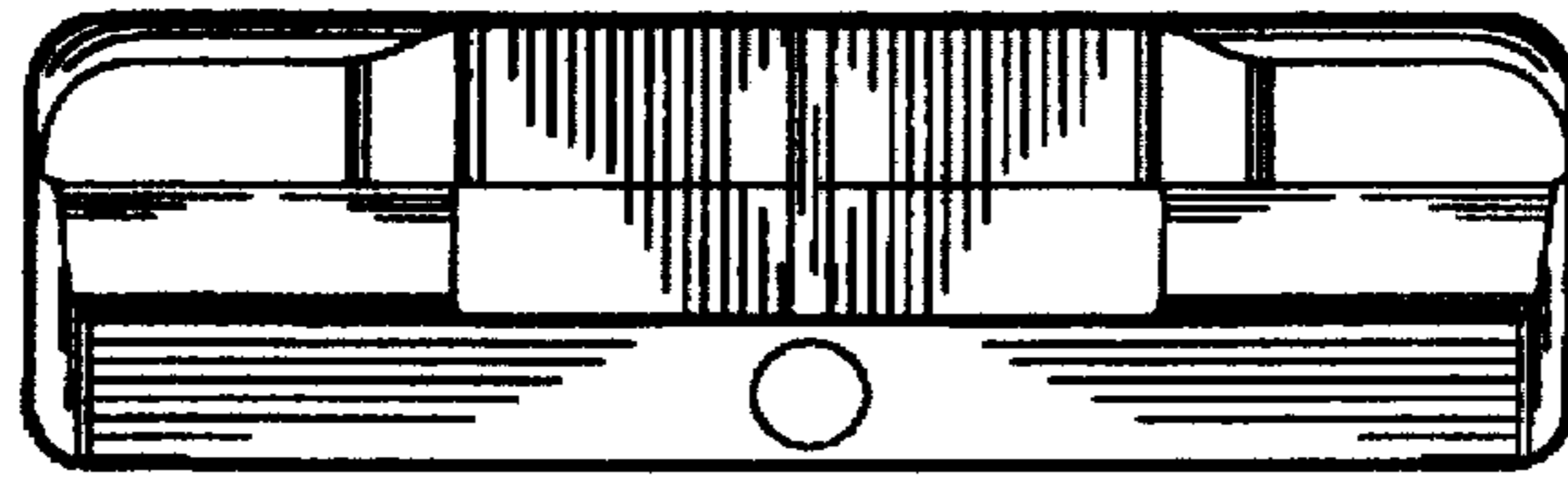


FIG. 1

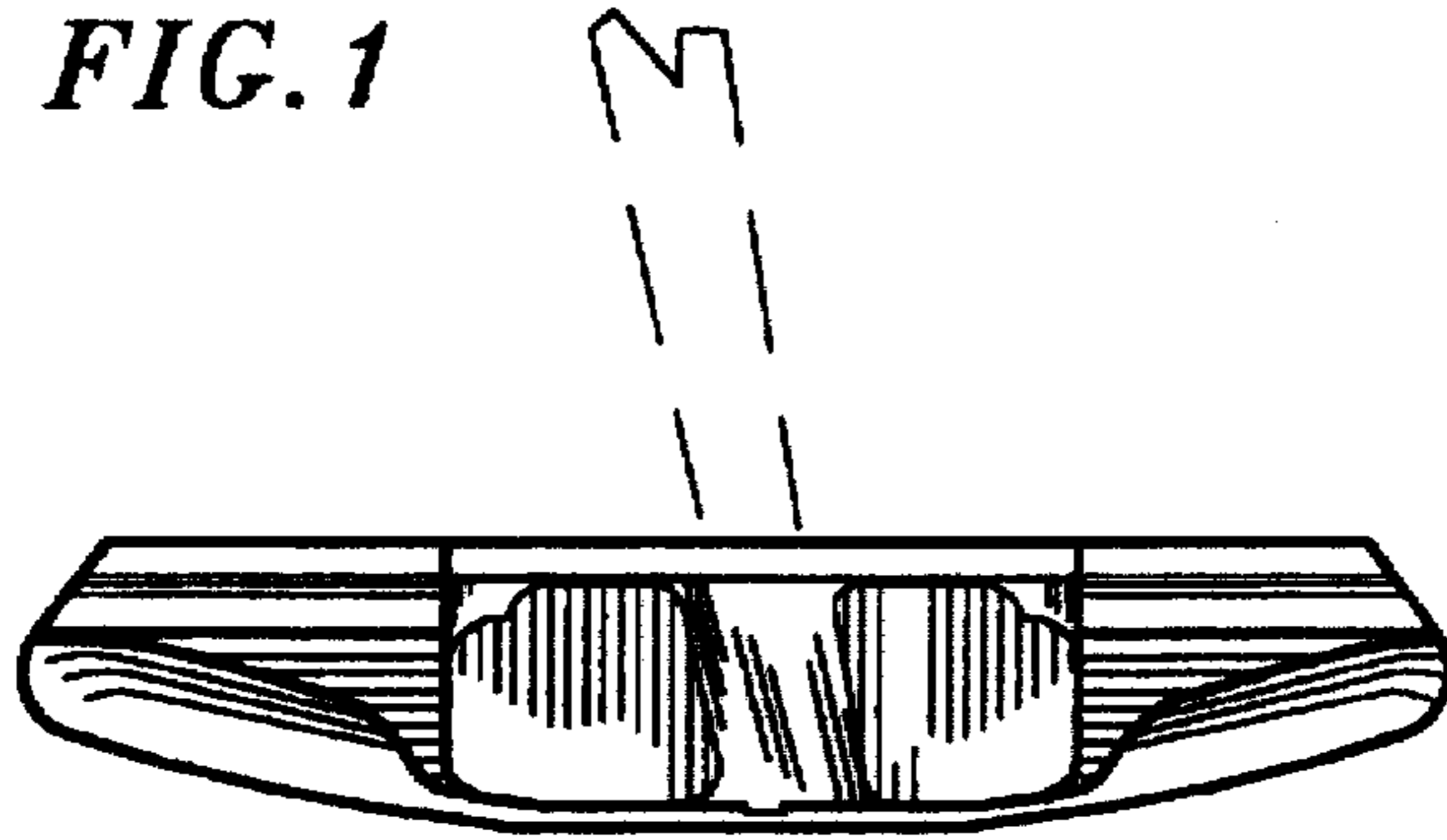


FIG. 2



FIG. 3



FIG. 4

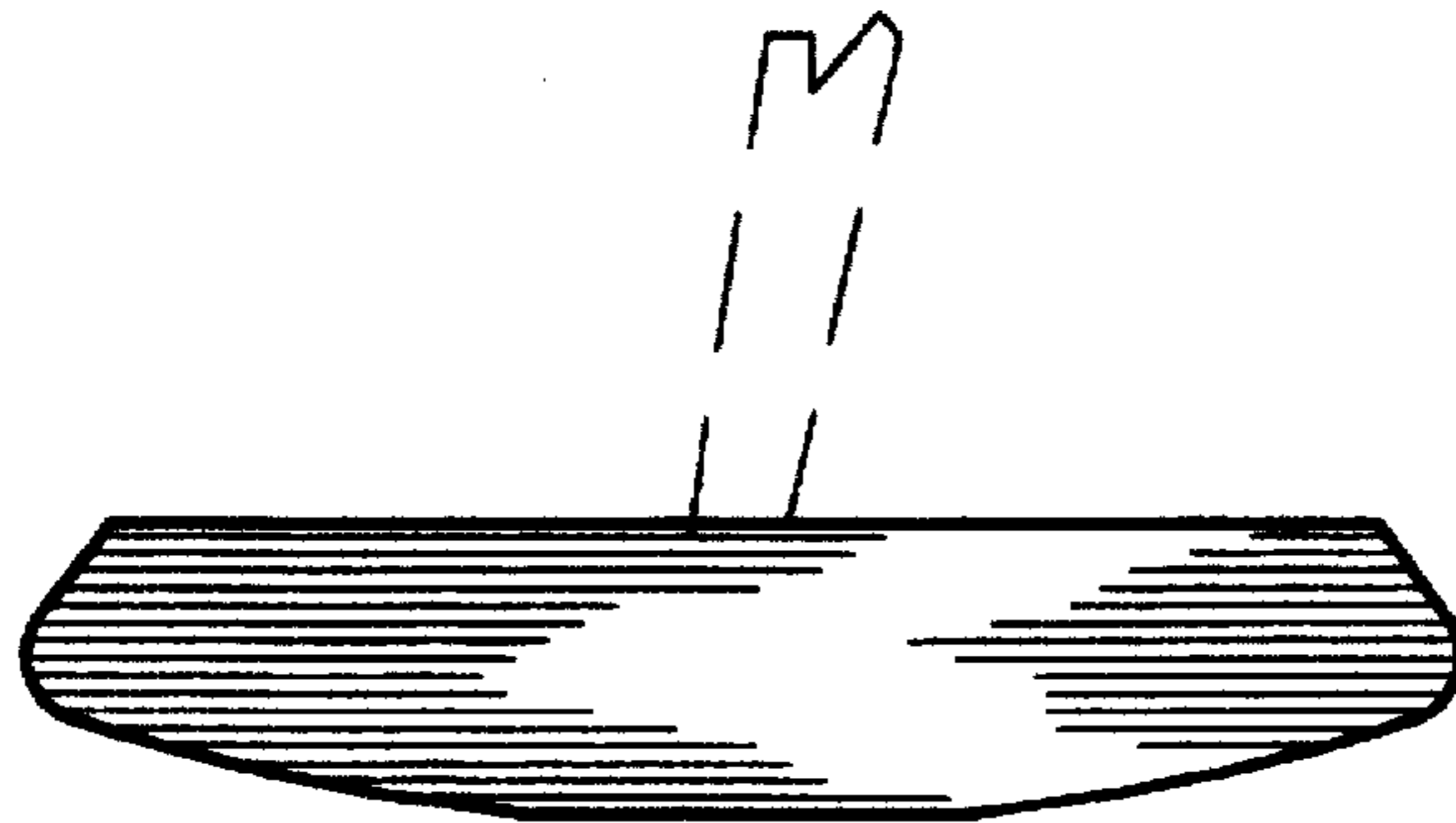


FIG. 5

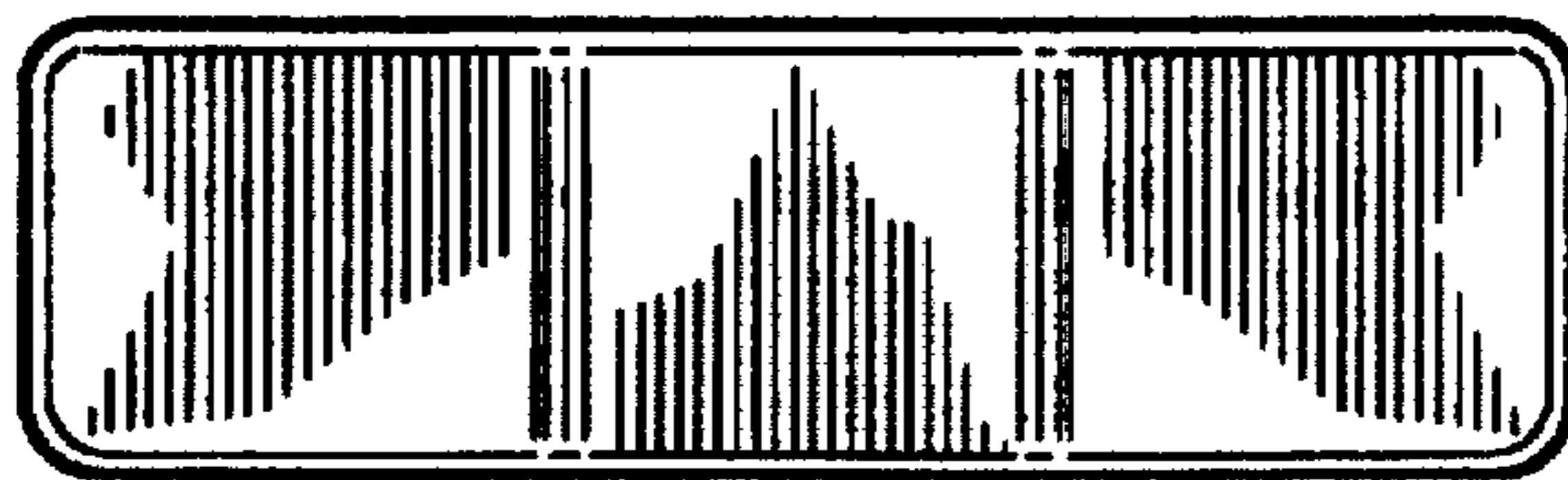


FIG. 6