



US00D388482S

United States Patent [19]

Fragoso

[11] Patent Number: Des. 388,482

[45] Date of Patent: **Dec. 30, 1997

[54] GOLF TEE

[76] Inventor: Genaro Fragoso, Box 7-3480, Tarleton Station, Stephenville, Tex. 76402

[**] Term: 14 Years

[21] Appl. No.: 56,382

[22] Filed: Jun. 27, 1996

[51] LOC (6) Cl. 21-02

[52] U.S. Cl. D21/208

[58] Field of Search D21/208, 234;
473/387-403, 386, 284, 406, 408, 131,
278

[56] **References Cited**

U.S. PATENT DOCUMENTS

D. 301,046	5/1989	Morabeto	D21/208
1,616,683	2/1927	Eddy	D21/208 X
1,807,377	5/1931	Brokaw	473/397
2,146,736	2/1939	Hammond et al.	473/397

3,633,919	1/1972	Liccardello	473/406 X
4,418,909	12/1983	Messana	473/401 X
4,893,818	1/1990	Liccardello	473/406 X
4,948,130	8/1990	Rydborn	473/391

Primary Examiner—Prabhakar G. Deshmukh
Assistant Examiner—Richelle Shelton
Attorney, Agent, or Firm—Harold H. Dutton, Jr.

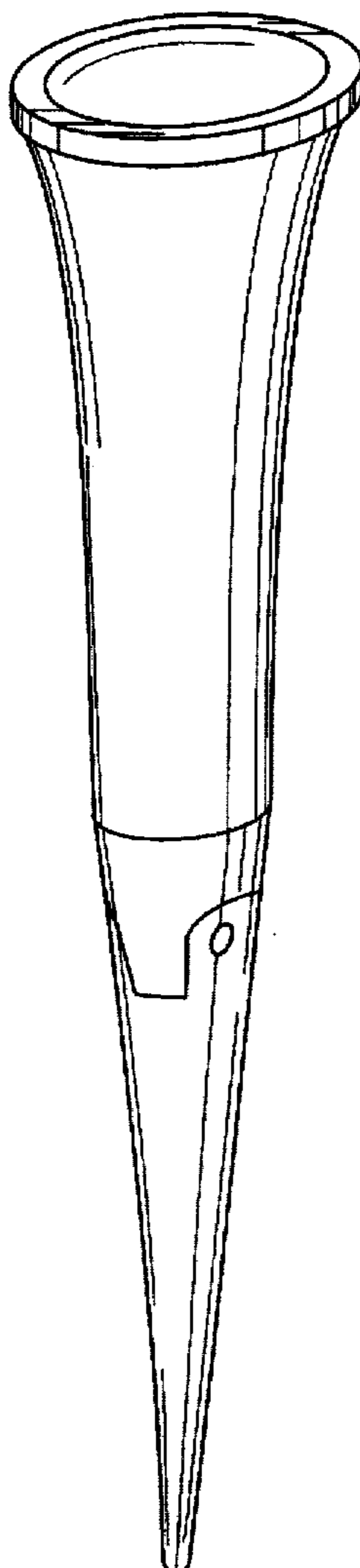
[57] **CLAIM**

The ornamental design for a golf tee, as shown.

DESCRIPTION

FIG. 1 is a perspective view of a golf tee showing my new design;
FIG. 2 is a right side elevational view thereof;
FIG. 3 is a left side elevational view thereof;
FIG. 4 is a front elevational view thereof;
FIG. 5 is a rear elevational view thereof;
FIG. 6 is a top plan view thereof; and,
FIG. 7 is a bottom plan view thereof.

1 Claim, 4 Drawing Sheets



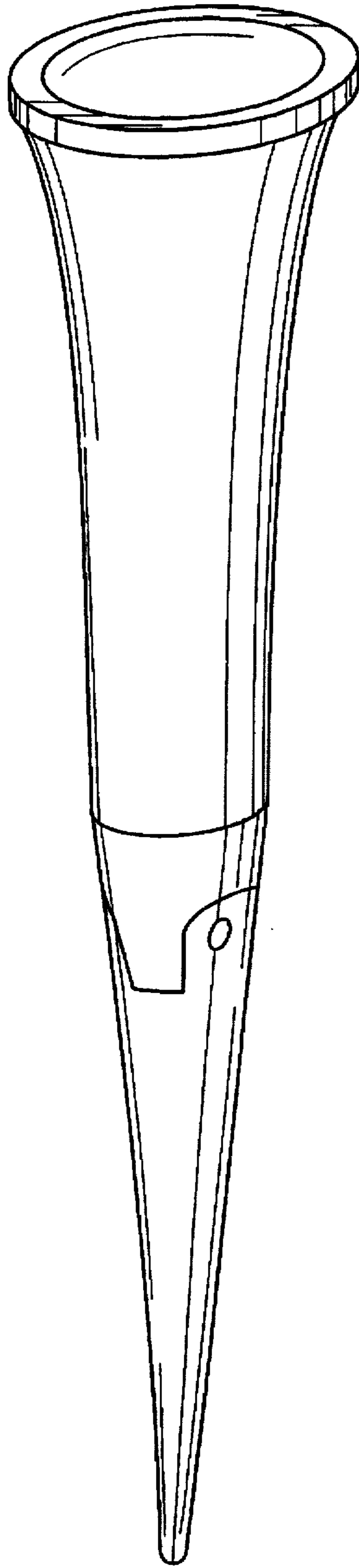


FIG. 1

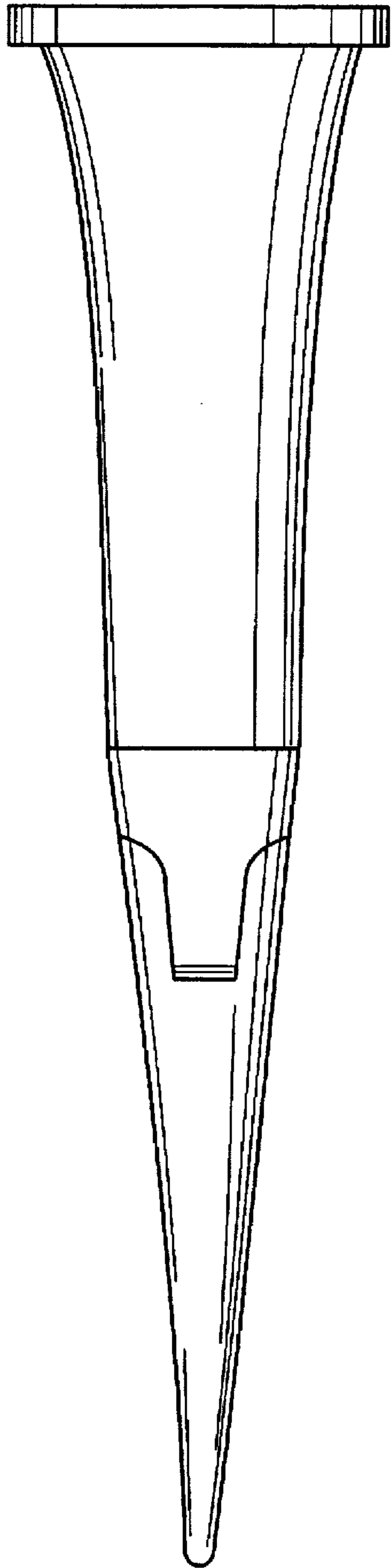
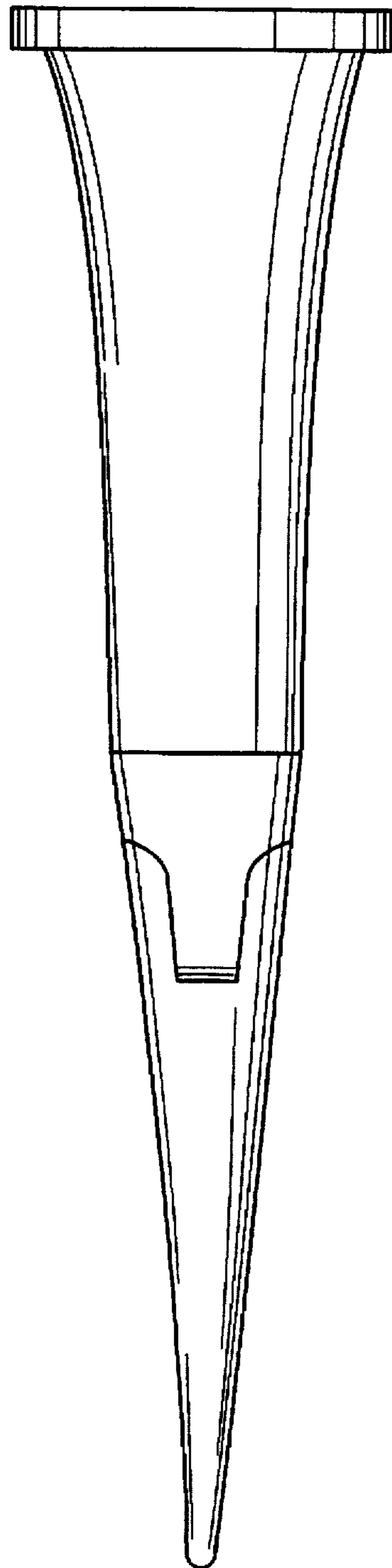


FIG. 2

FIG. 3



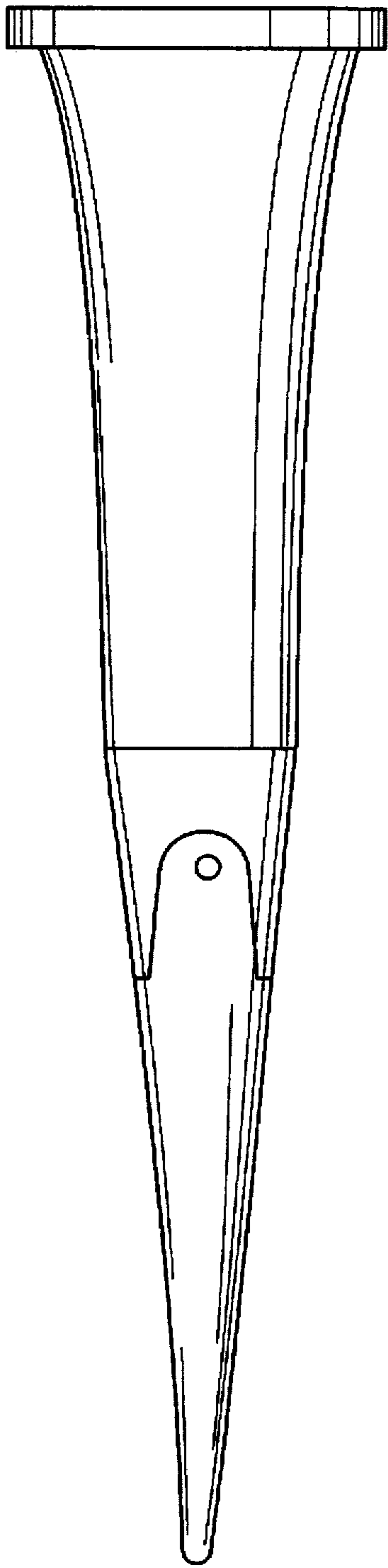


FIG. 4

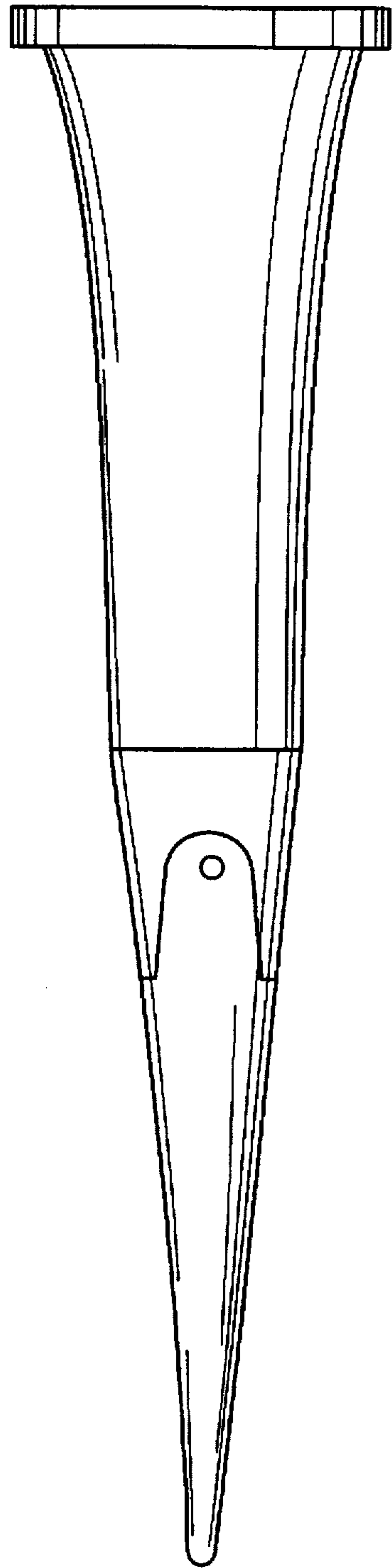


FIG. 5

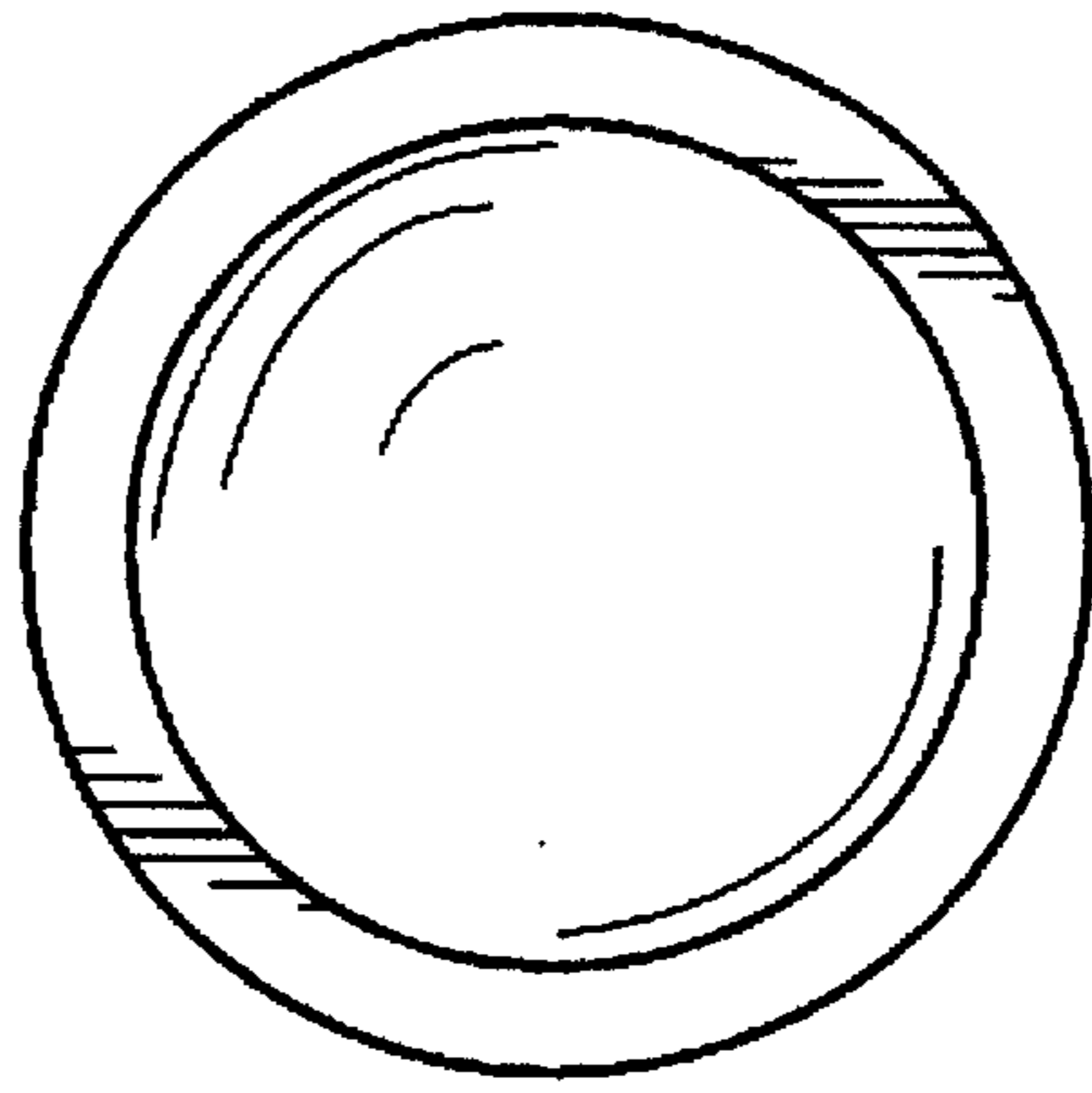


FIG. 6

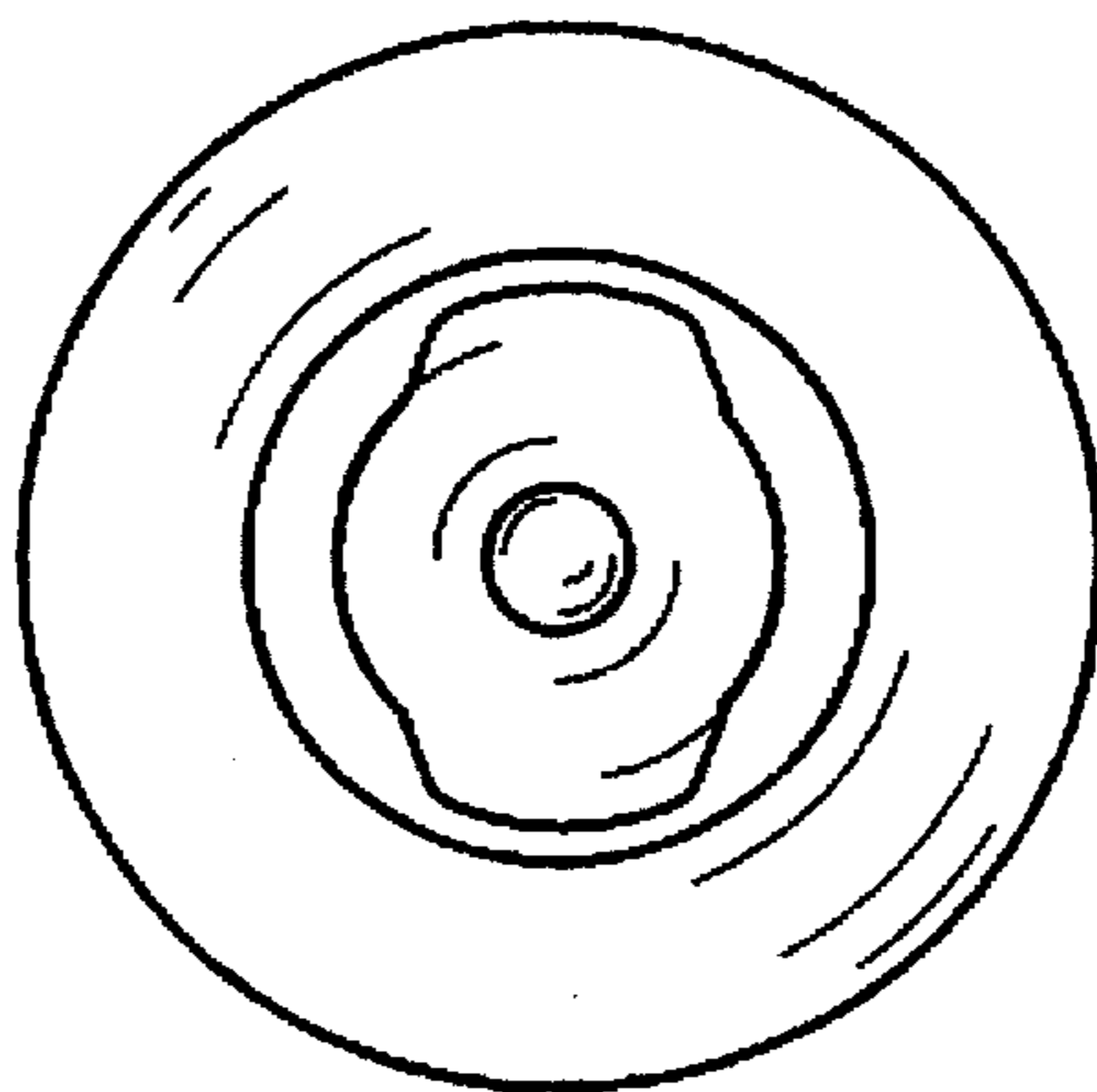


FIG. 7