



US00D388473S

United States Patent [19]

Pasin et al.

[11] Patent Number: Des. 388,473

[45] Date of Patent: **Dec. 30, 1997

[54] CHILDREN'S CANOPY WAGON

D. 326,288 5/1992 Arnett et al. D21/71
D. 369,629 5/1996 Pasin et al. D21/71

[75] Inventors: Antonio J. Pasin, Chicago, Ill.; James Brian Easley, Mound, Minn.

Primary Examiner—Kay H. Chin
Attorney, Agent, or Firm—Rudnick & Wolfe

[73] Assignee: Radio Flyer, Inc., Chicago, Ill.

[57] CLAIM

[**] Term: 14 Years

The ornamental design for a children's canopy wagon, as shown and described.

[21] Appl. No.: 59,066

[22] Filed: Sep. 3, 1996

DESCRIPTION

[51] LOC (6) CL 21-01

[52] U.S. Cl. D21/71; D12/129

[58] Field of Search D12/128, 129,
D12/110; D21/71, 78, 80, 81, 136, 134,
141.1, 142, 143; 280/87.1, 87.2, 773, 776,
47.36; 446/465, 96

FIG. 1 is a front perspective view of a children's wagon showing our new design;

FIG. 2 is a side elevational view thereof;

FIG. 3 is an opposite side elevational view thereof;

FIG. 4 is a top plan view thereof;

FIG. 5 is a bottom plan view thereof;

FIG. 6 is a front elevation view thereof; and,

FIG. 7 is a rear elevation view thereof.

[56] References Cited

U.S. PATENT DOCUMENTS

D. 268,829 5/1983 Dassel et al. D21/136

1 Claim, 6 Drawing Sheets

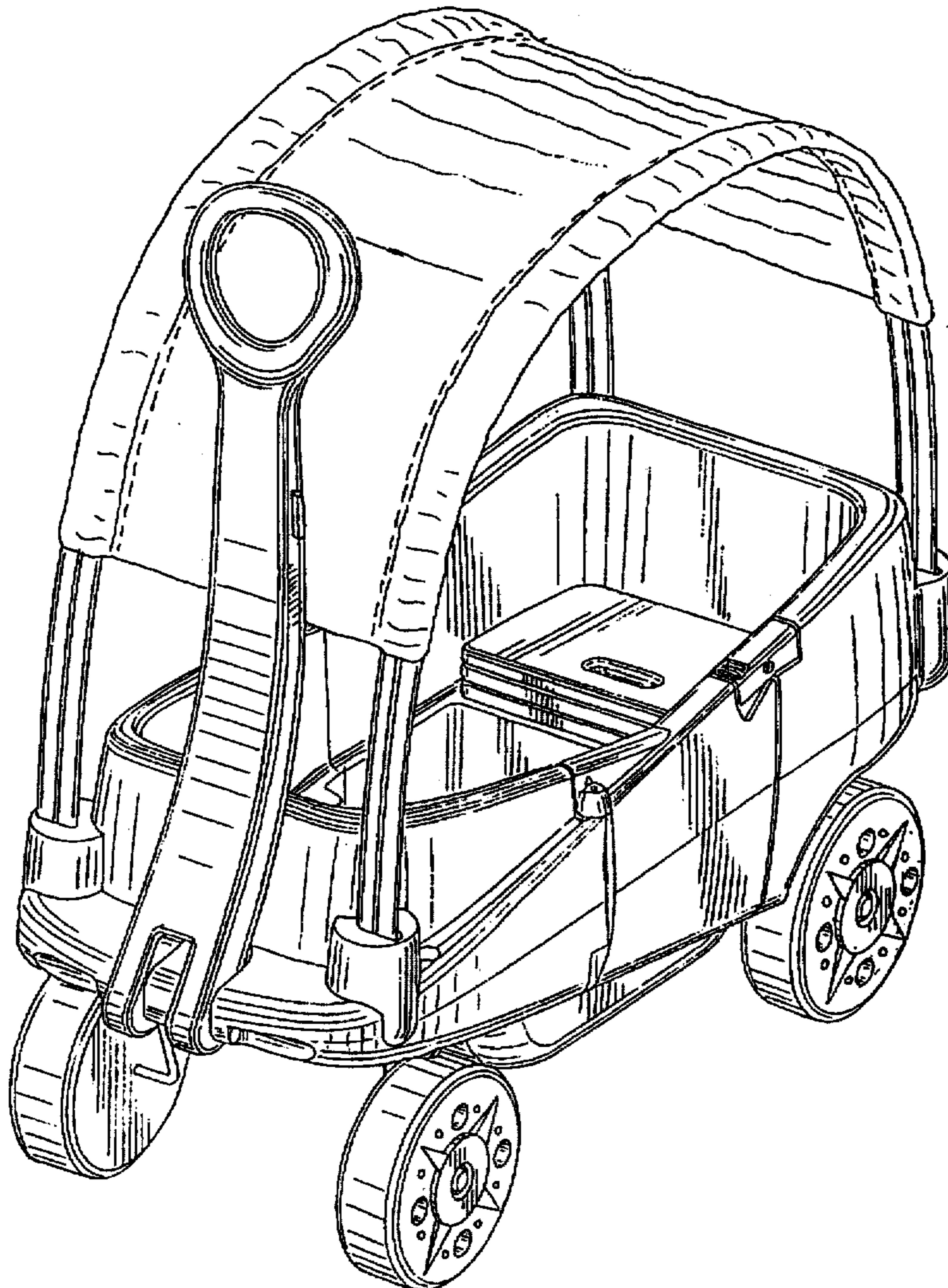
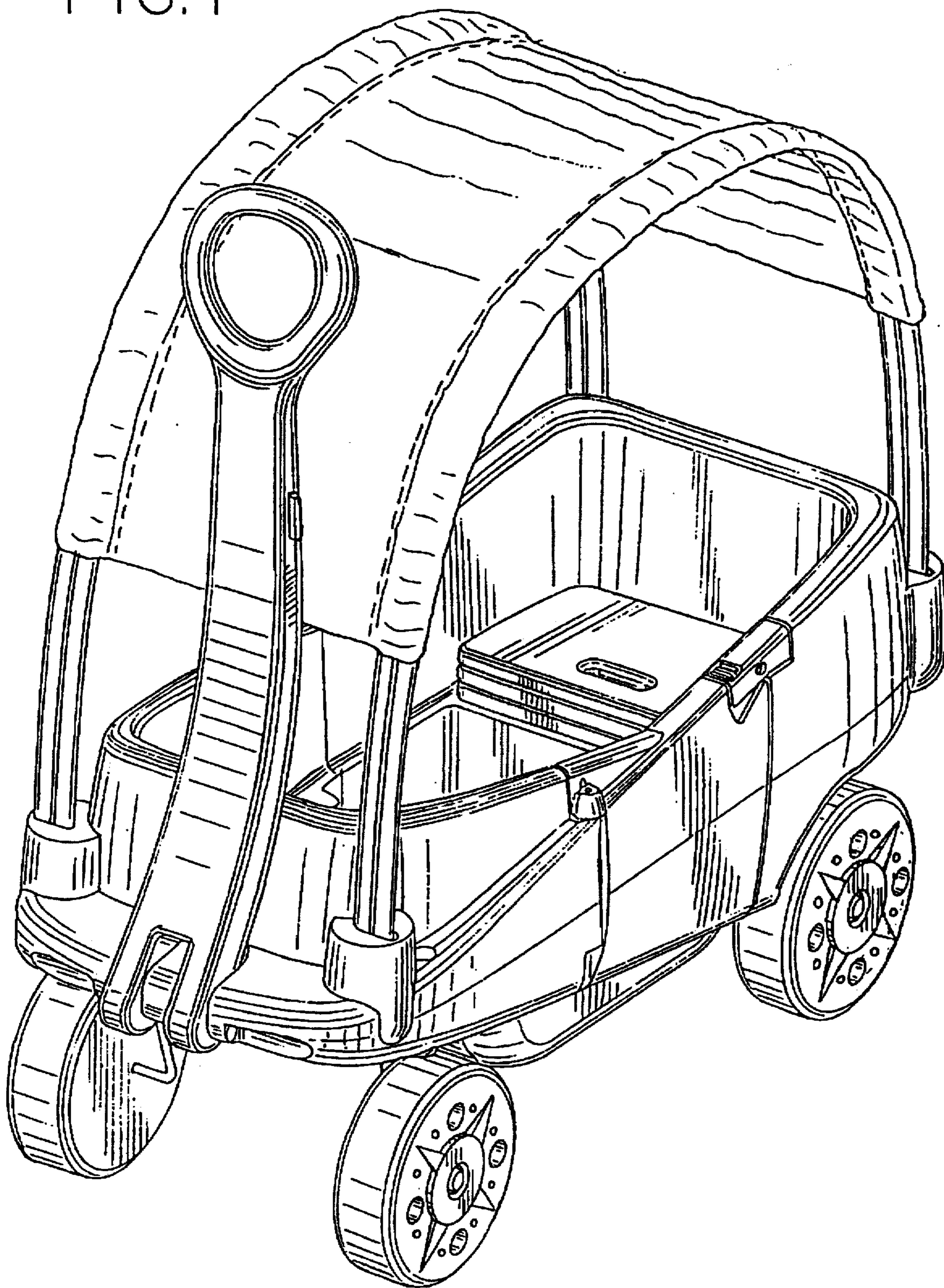


FIG. 1



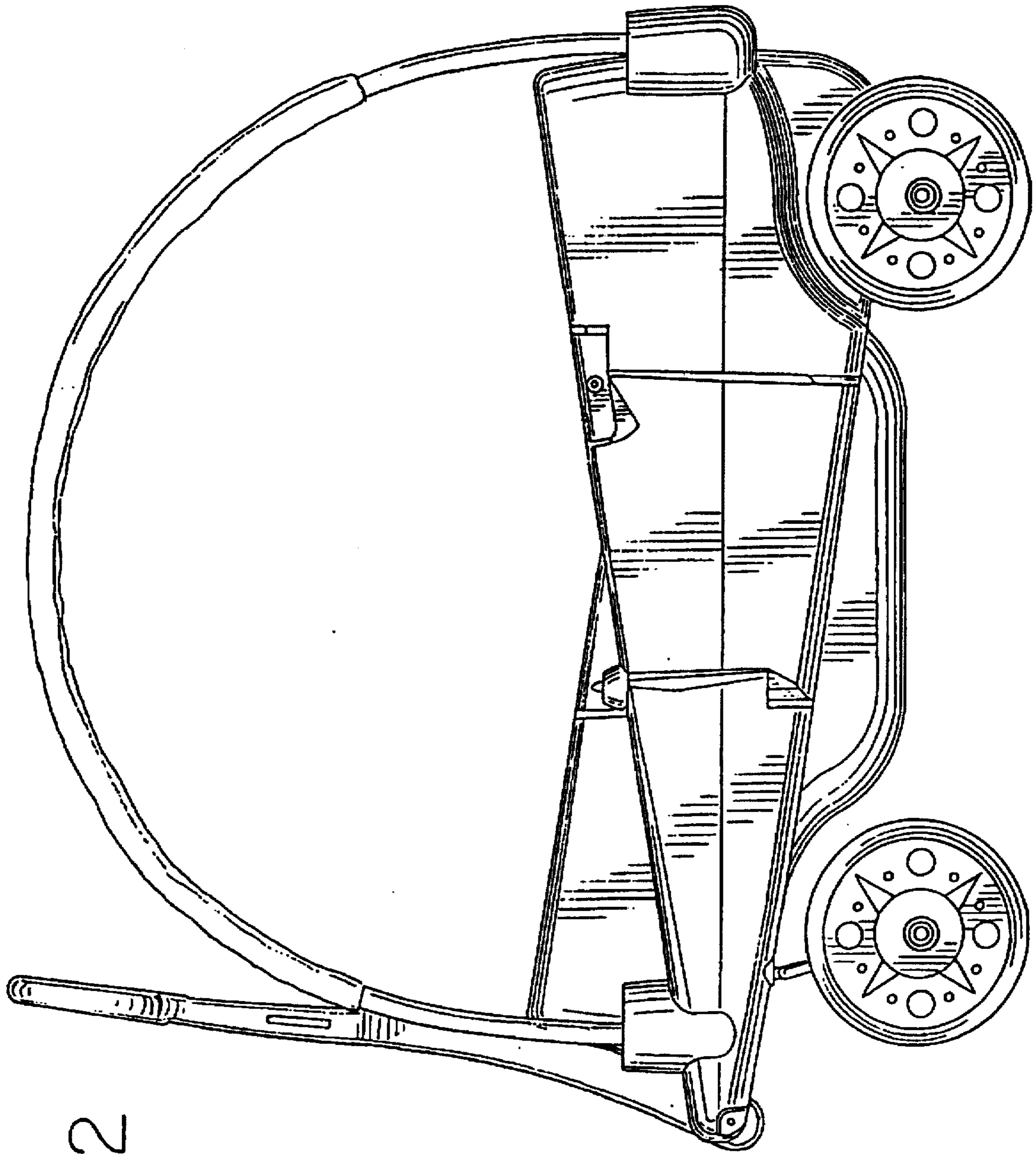


FIG.2

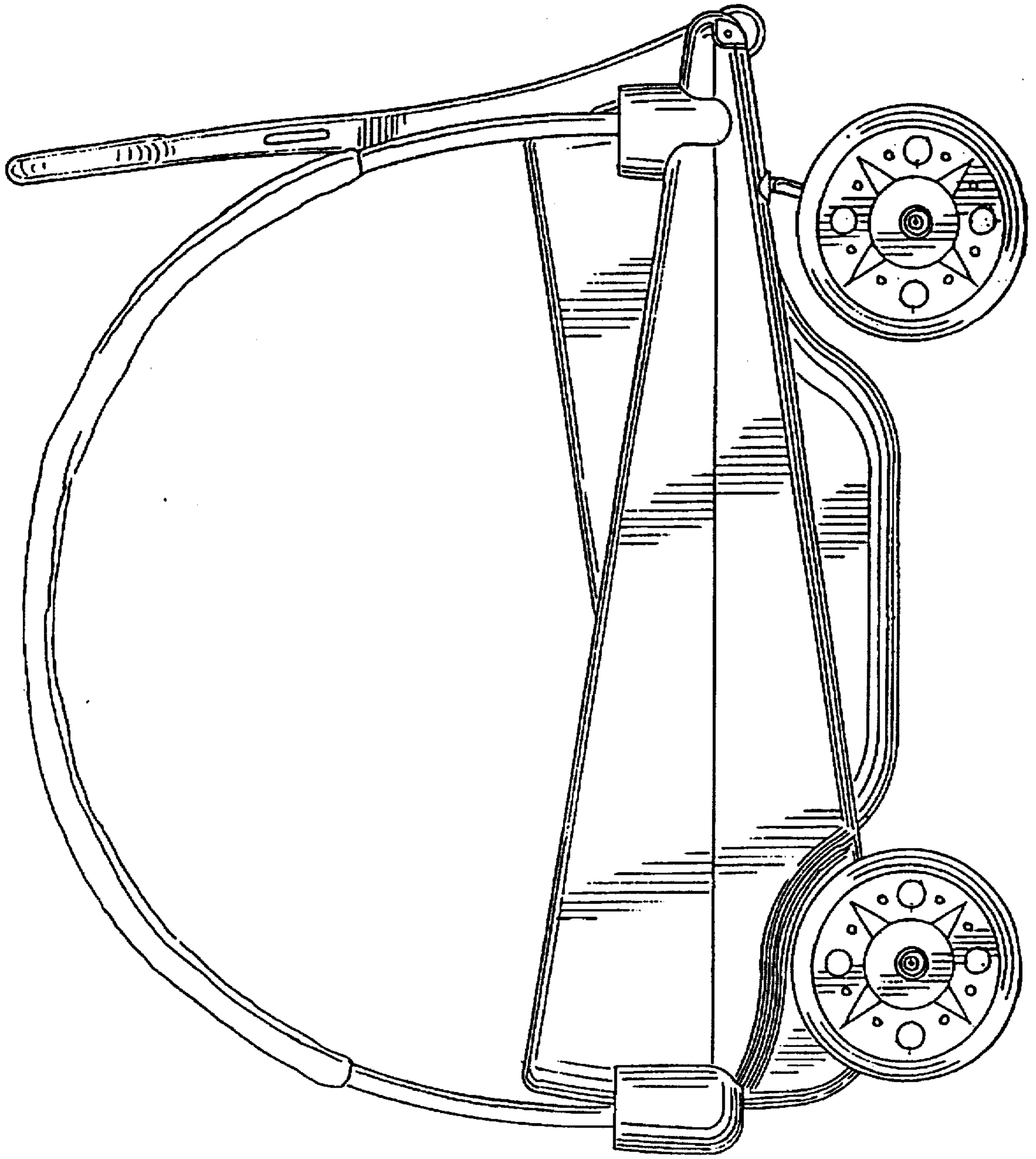
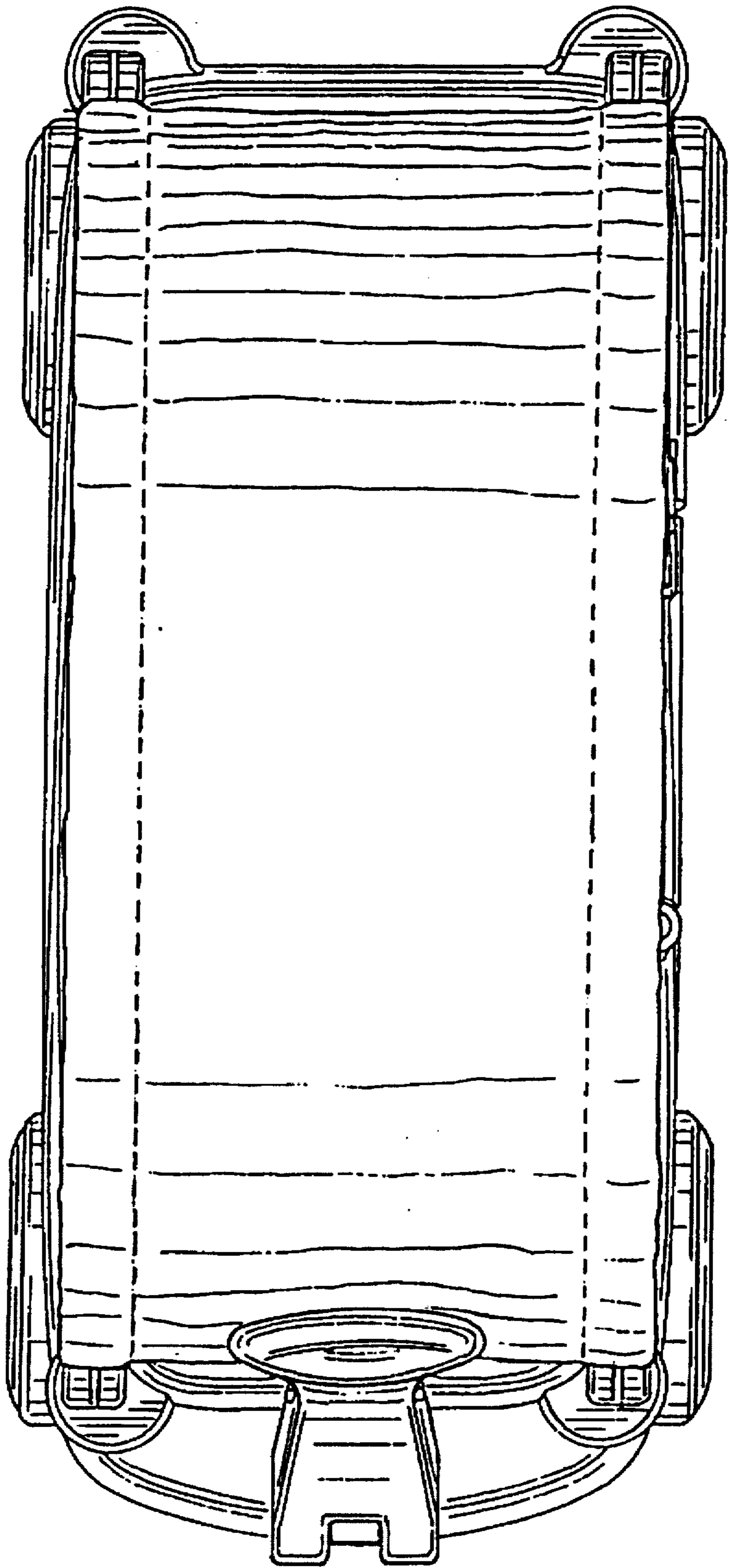


FIG. 3

FIG. 4



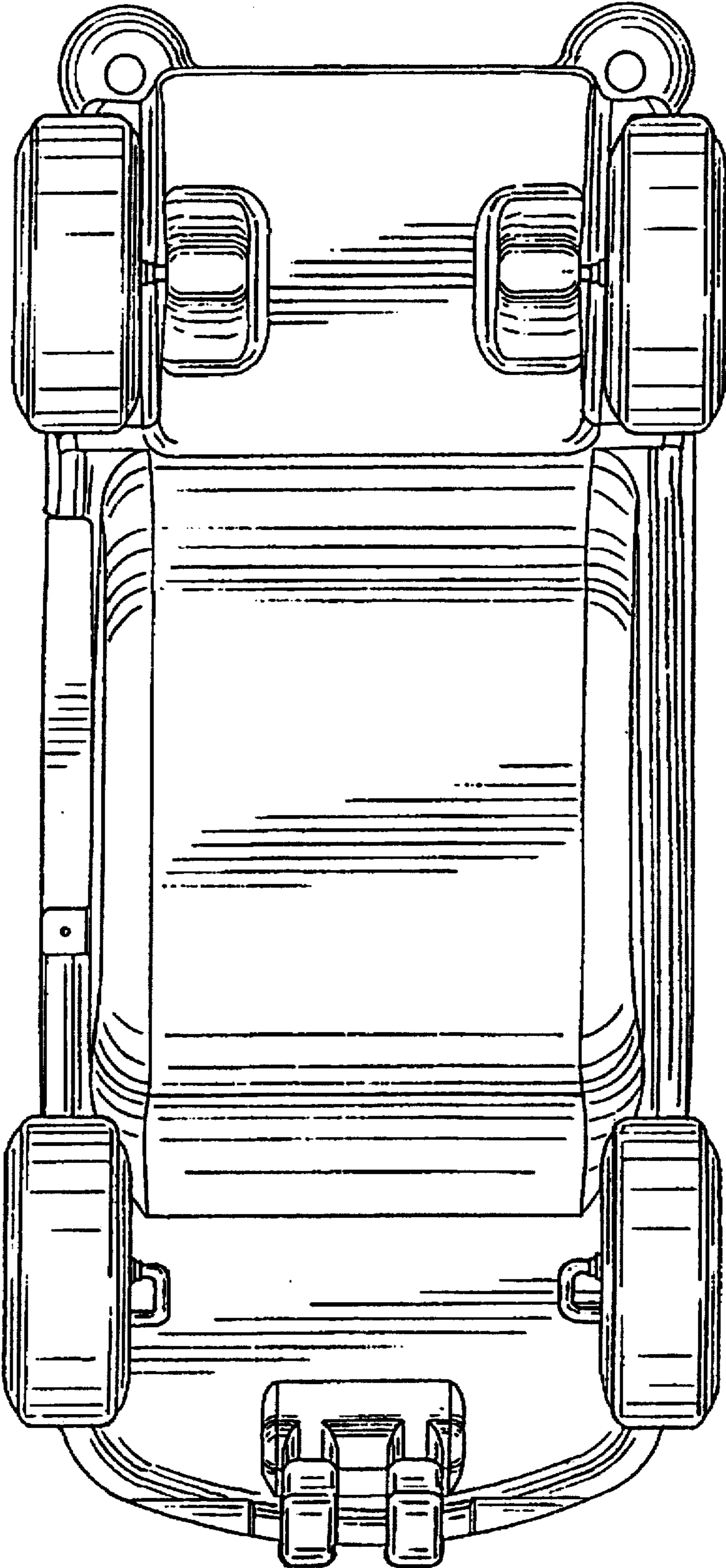


FIG. 5

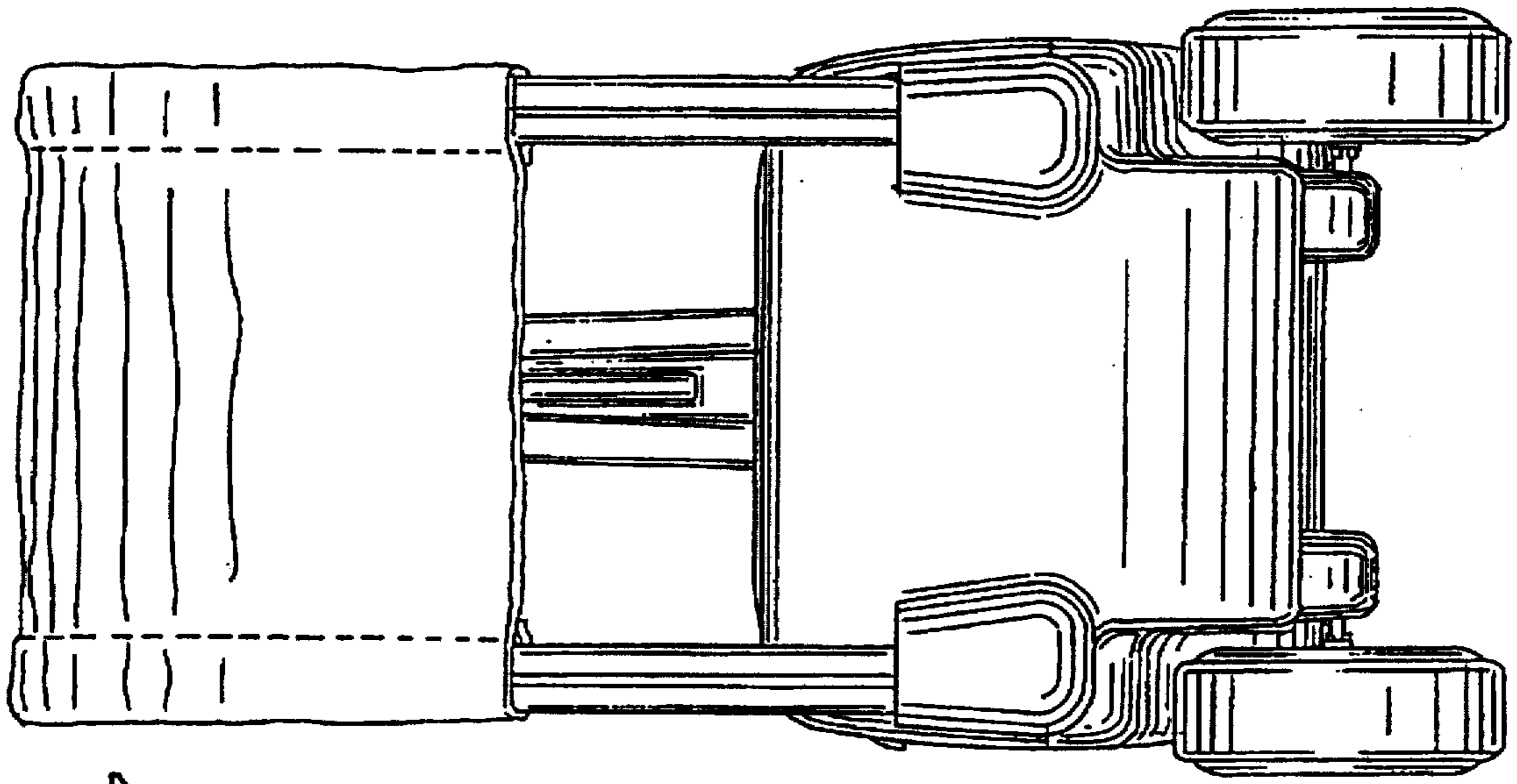


FIG. 7

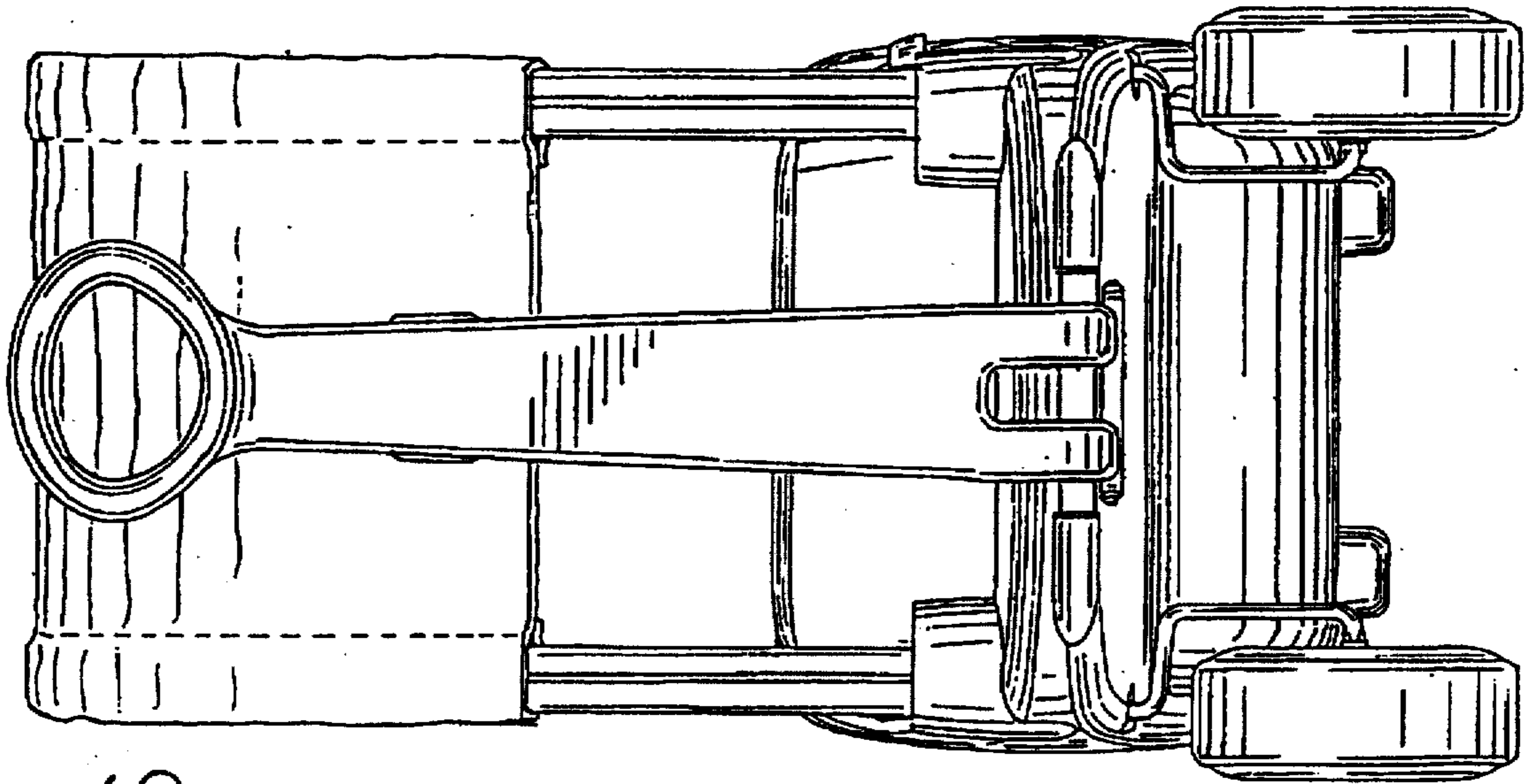


FIG. 6