



US00D388472S

United States Patent [19] Kim

[11] Patent Number: **Des. 388,472**

[45] Date of Patent: ****Dec. 30, 1997**

[54] SOUND AND LIGHT BOX FOR A TOY

[76] Inventor: **Soo Dong Kim**, 3641 Nelson Pl., Fullerton, Calif. 92631

[**] Term: **14 Years**

[21] Appl. No.: **58,601**

[22] Filed: **Aug. 13, 1996**

[51] LOC (6) Cl. **21-01**

[52] U.S. Cl. **D21/64; D21/59**

[58] Field of Search **D21/59, 64; 446/175, 446/368, 397**

3,460,838	8/1969	Greenlee, Jr.	446/397 X
4,294,035	10/1981	Klein	446/397
5,330,380	7/1994	McDarren et al.	446/397
5,368,517	11/1994	Pagani	446/397 X
5,451,178	9/1995	Yorozu et al.	446/397 X

Primary Examiner—Dominic Simone
Attorney, Agent, or Firm—G. Donald Weber, Jr.

[57] CLAIM

The ornamental design for a sound and light box for a toy, as shown and described.

DESCRIPTION

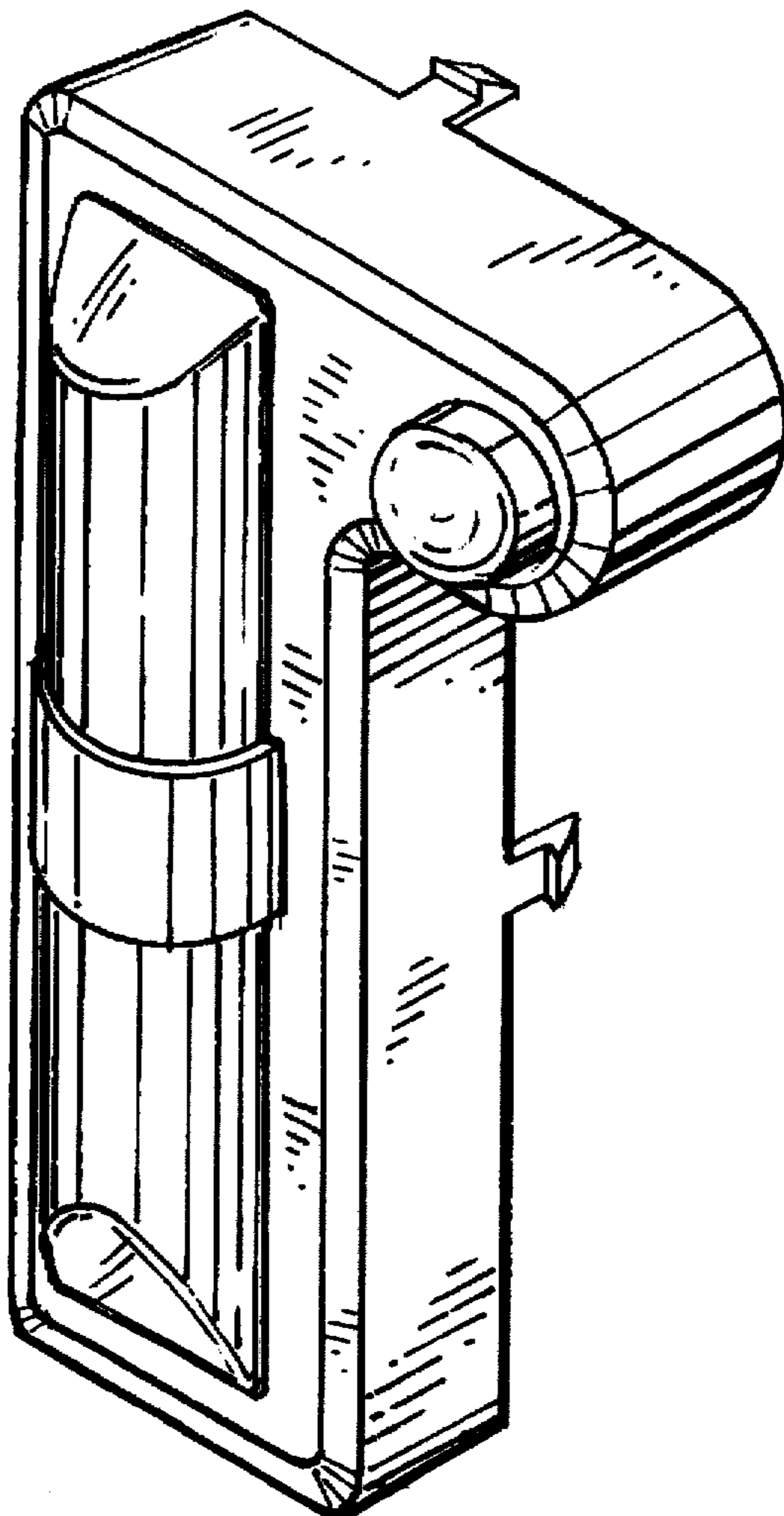
FIG. 1 is a perspective view of a sound and light box for a toy showing my new design;
FIG. 2 is an enlarged front elevational view thereof;
FIG. 3 is a rear elevational view of FIG. 2;
FIG. 4 is a bottom plan view of FIG. 2;
FIG. 5 is a top plan view of FIG. 2;
FIG. 6 is a right side elevational view of FIG. 2; and,
FIG. 7 is a left side elevational view of FIG. 2.

1 Claim, 1 Drawing Sheet

[56] References Cited

U.S. PATENT DOCUMENTS

Re. 31,667	9/1984	Knauff	446/397 X
D. 271,030	10/1983	Nagel et al.	D21/64 X
701,410	6/1902	Smith	446/175 X
3,137,092	6/1964	Salerno	446/397 X
3,160,984	12/1964	Ryan	446/397
3,386,406	6/1968	Tsunoda	446/397



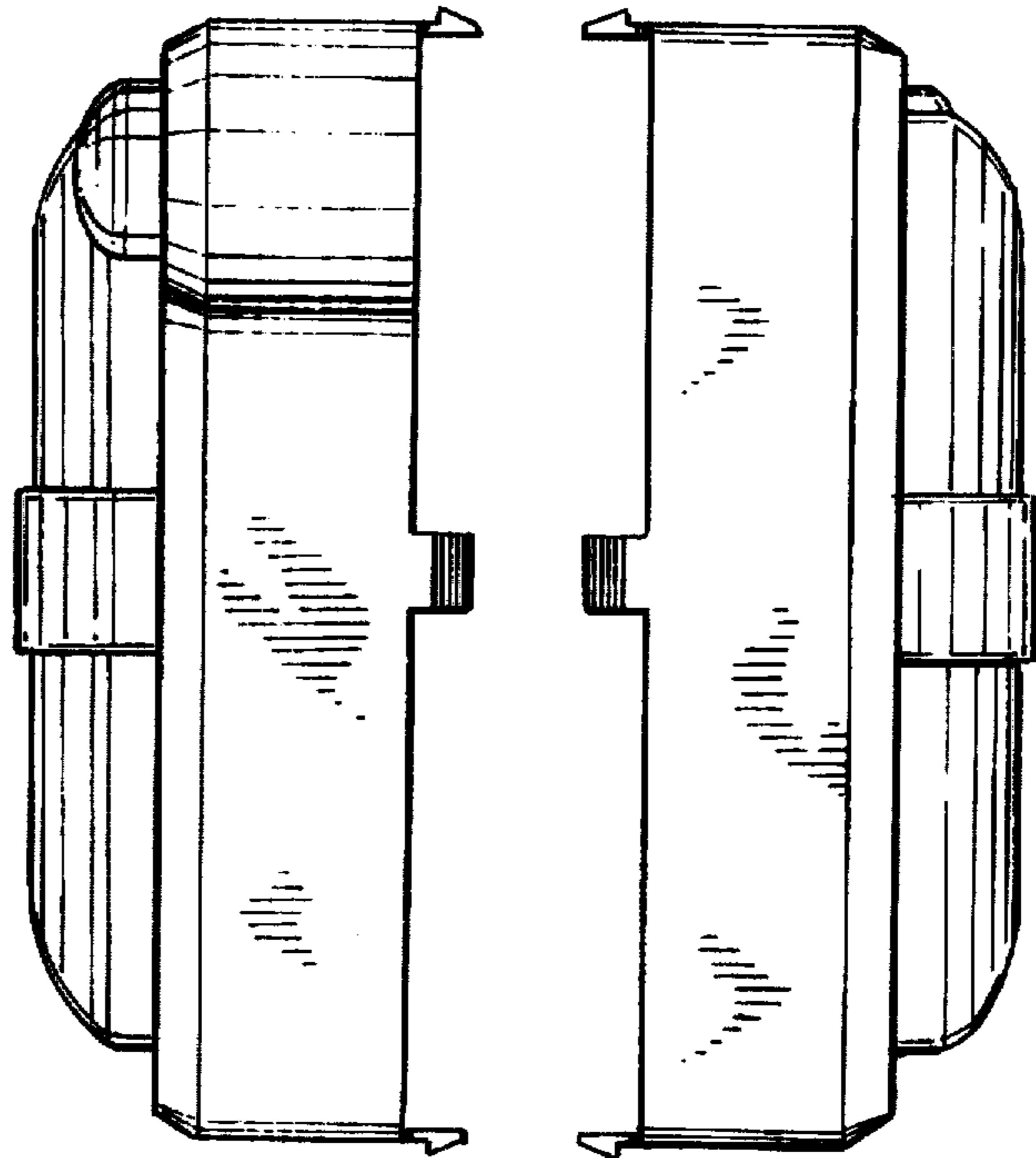
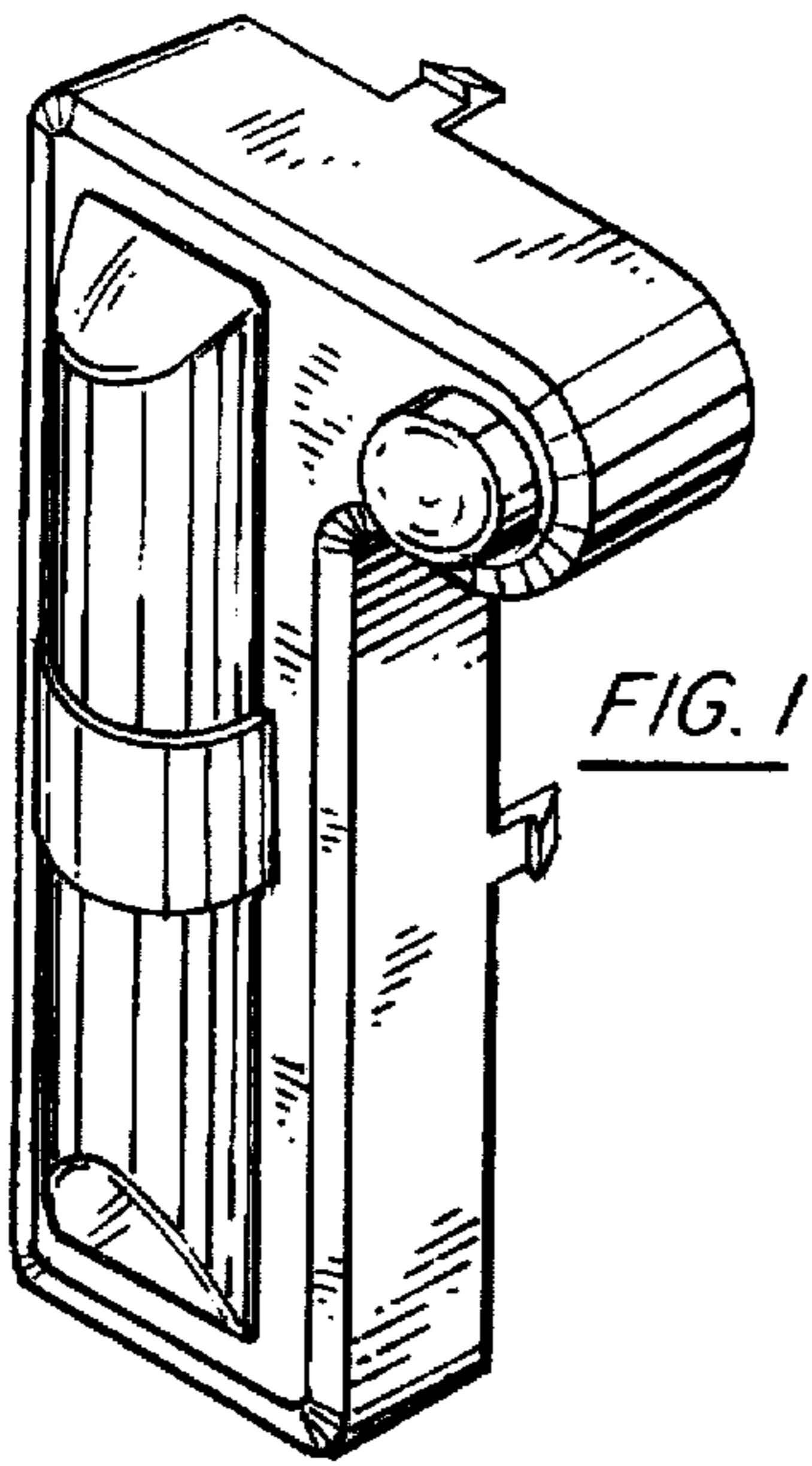


FIG. 2

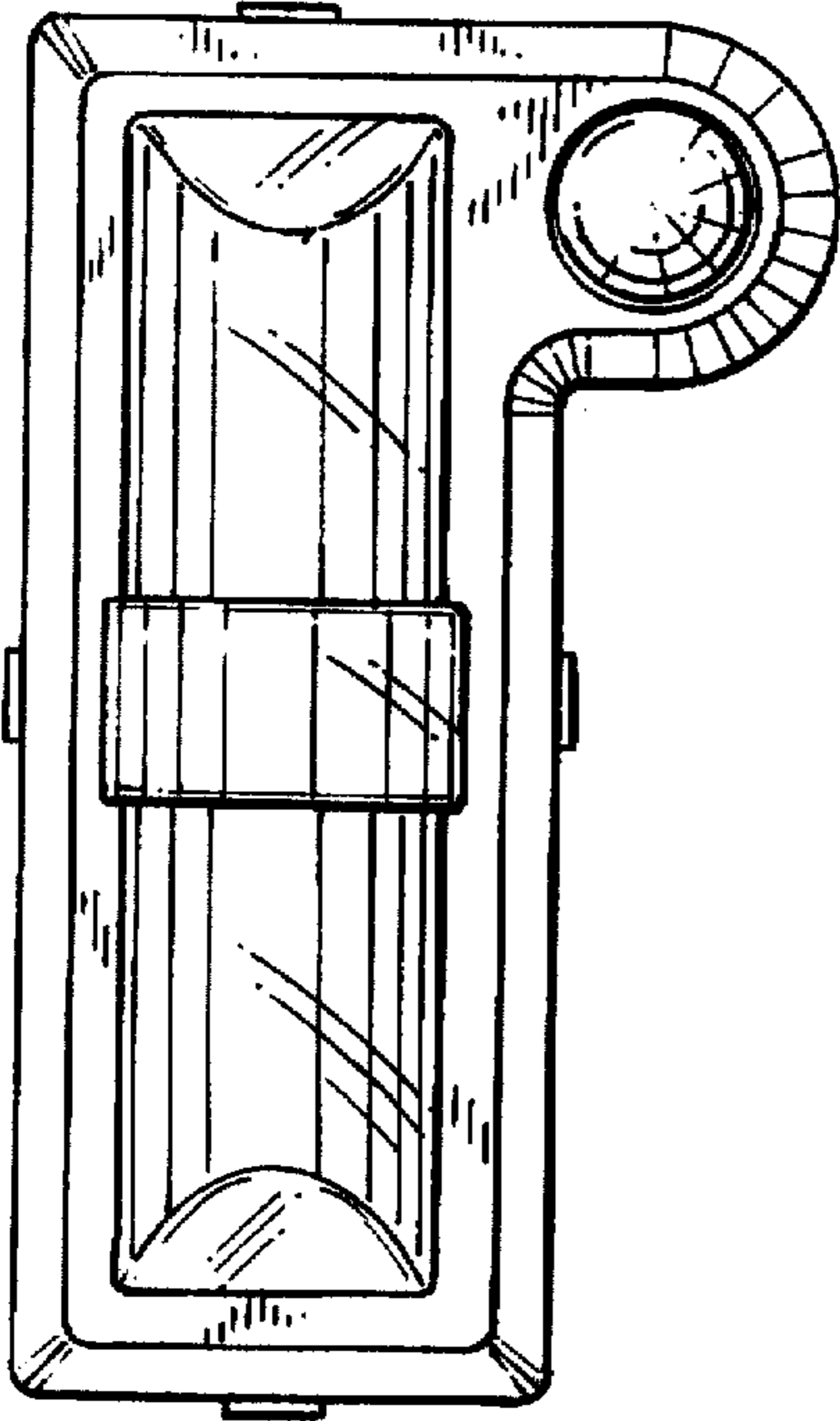


FIG. 7

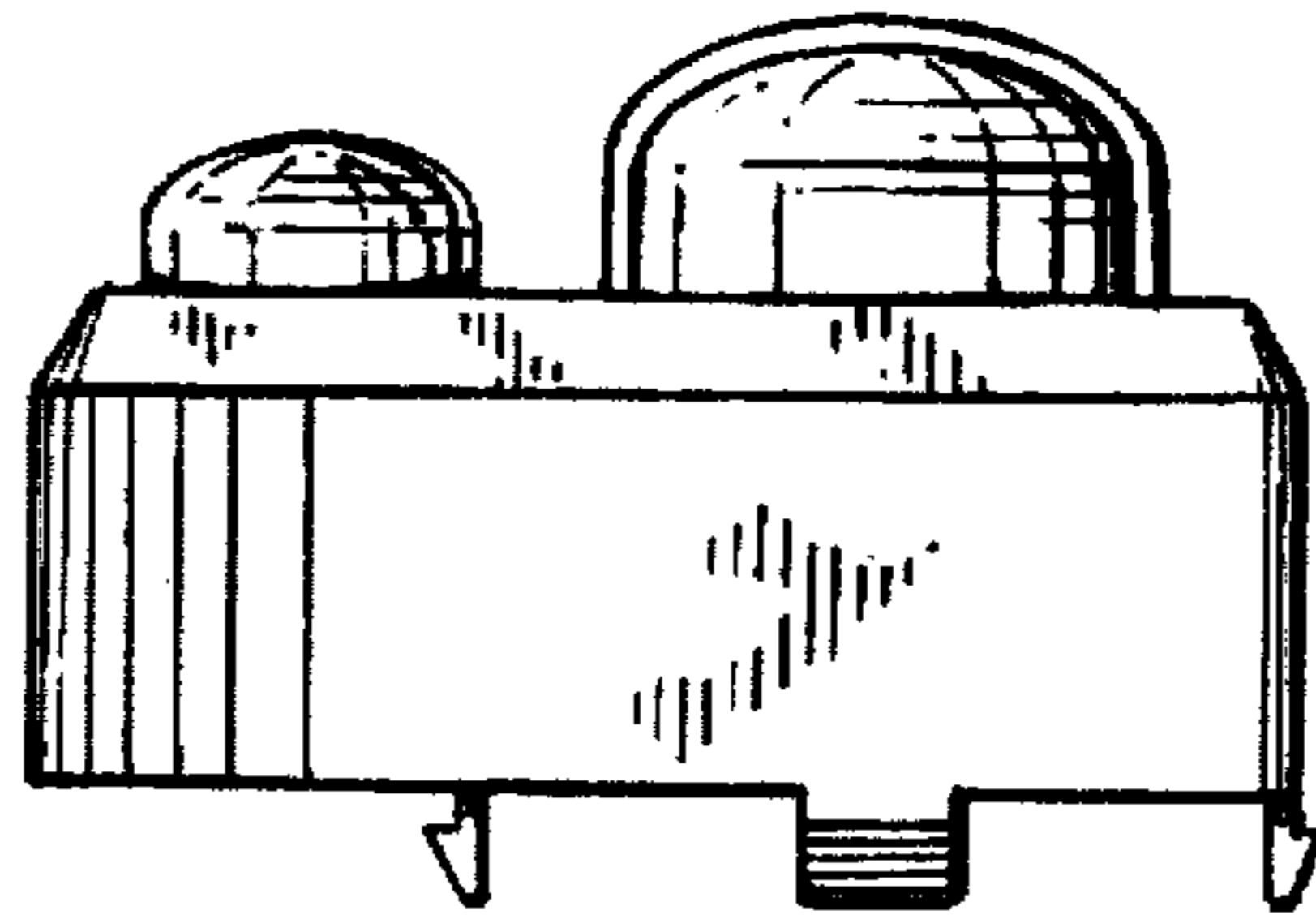


FIG. 5

FIG. 3

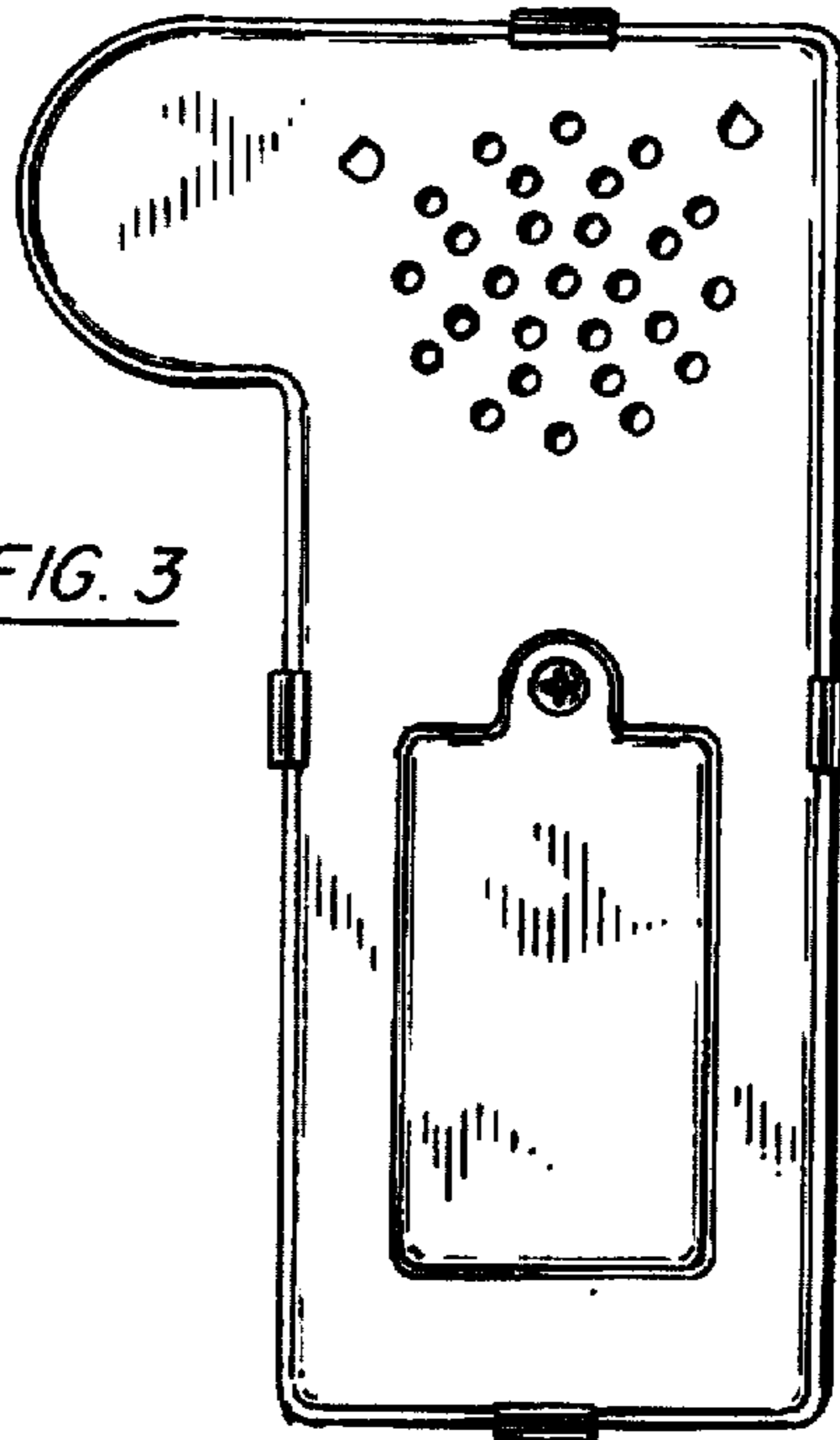


FIG. 4

