



US00D388465S

# United States Patent [19]

Markelz et al.

[11] Patent Number: **Des. 388,465**

[45] Date of Patent: **\*\*Dec. 30, 1997**

[54] **DESKTOP VERTICAL FILE ASSEMBLY**

[75] Inventors: **Aimee J. Markelz, Chicago; Charles E. Bain, West Dundee, both of Ill.**

[73] Assignee: **Sterling Plastics Co., Madison, Wis.**

[\*\*] Term: **14 Years**

[21] Appl. No.: **58,906**

[22] Filed: **Aug. 27, 1996**

### Related U.S. Application Data

[63] Continuation-in-part of Ser. No. 656,161, May 28, 1996.

[51] LOC (6) CL ..... **19-02**

[52] U.S. CL. .... **D19/90; D19/75; D19/86**

[58] Field of Search ..... **D19/65, 75, 81-85, D19/86, 90, 91, 95, 99, 100; 211/50, 55, 52, 126, 128, 194, 10, 11, 88**

### [56] References Cited

#### U.S. PATENT DOCUMENTS

- D. 41,026 12/1910 Paige ..... D19/77
- D. 139,831 12/1944 Posnack ..... D19/78
- D. 270,256 8/1983 Sankey .
- D. 277,969 3/1985 Bustos .
- D. 290,852 7/1987 Wang .
- D. 310,544 9/1990 Evenson .
- D. 325,222 4/1992 Brüßing .
- D. 330,047 10/1992 Evenson .
- D. 336,753 6/1993 Chan ..... D19/90

- D. 343,417 1/1994 Tarozzi .
- D. 349,131 7/1994 Nystrom et al. .
- D. 359,763 6/1995 Martin .
- 810,581 4/1906 Swope .
- 4,162,014 7/1979 Bobrick .
- 5,016,760 5/1991 Mayo ..... 211/55

### OTHER PUBLICATIONS

Selected pages from: Rubbermaid® Office Products 1995 Catalog.

Selected pages from: Staples® The Office Superstore 1994/95 Winter Catalog.

Selected pages from: Markelz Office Products 1996 Office Products Catalog.

*Primary Examiner*—Martie Thompson

*Attorney, Agent, or Firm*—Foley & Lardner

### [57] CLAIM

The ornamental design for a desktop vertical file assembly, as shown.

### DESCRIPTION

FIG. 1 is a front perspective view of a desktop vertical file assembly;

FIG. 2 is a front view thereof;

FIG. 3 is a right side view, the left view being a mirror image of the right view shown;

FIG. 4 is a rear view thereof;

FIG. 5 is a top plan view thereof; and,

FIG. 6 is a bottom plan view thereof.

**1 Claim, 4 Drawing Sheets**

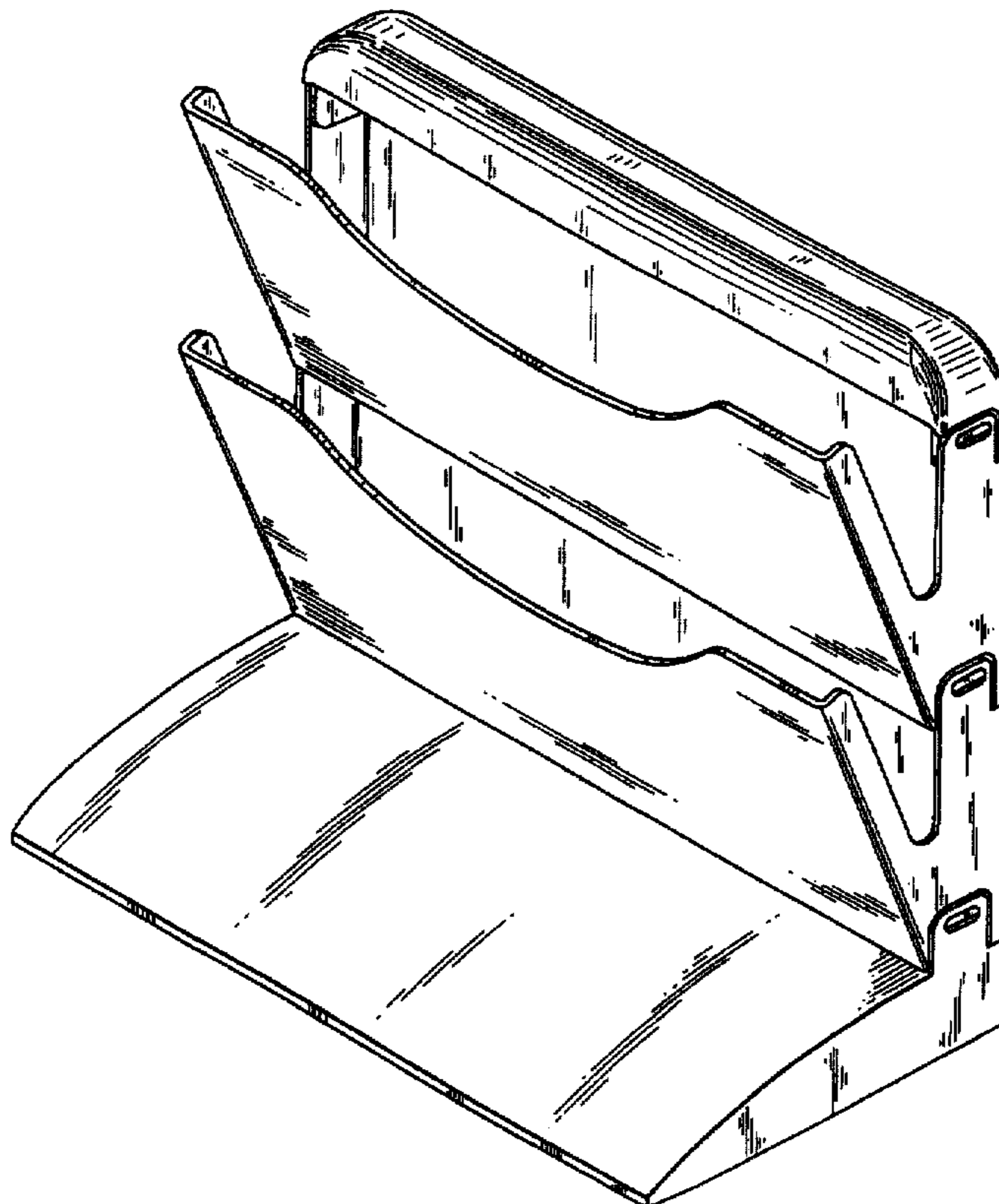


FIG. 1

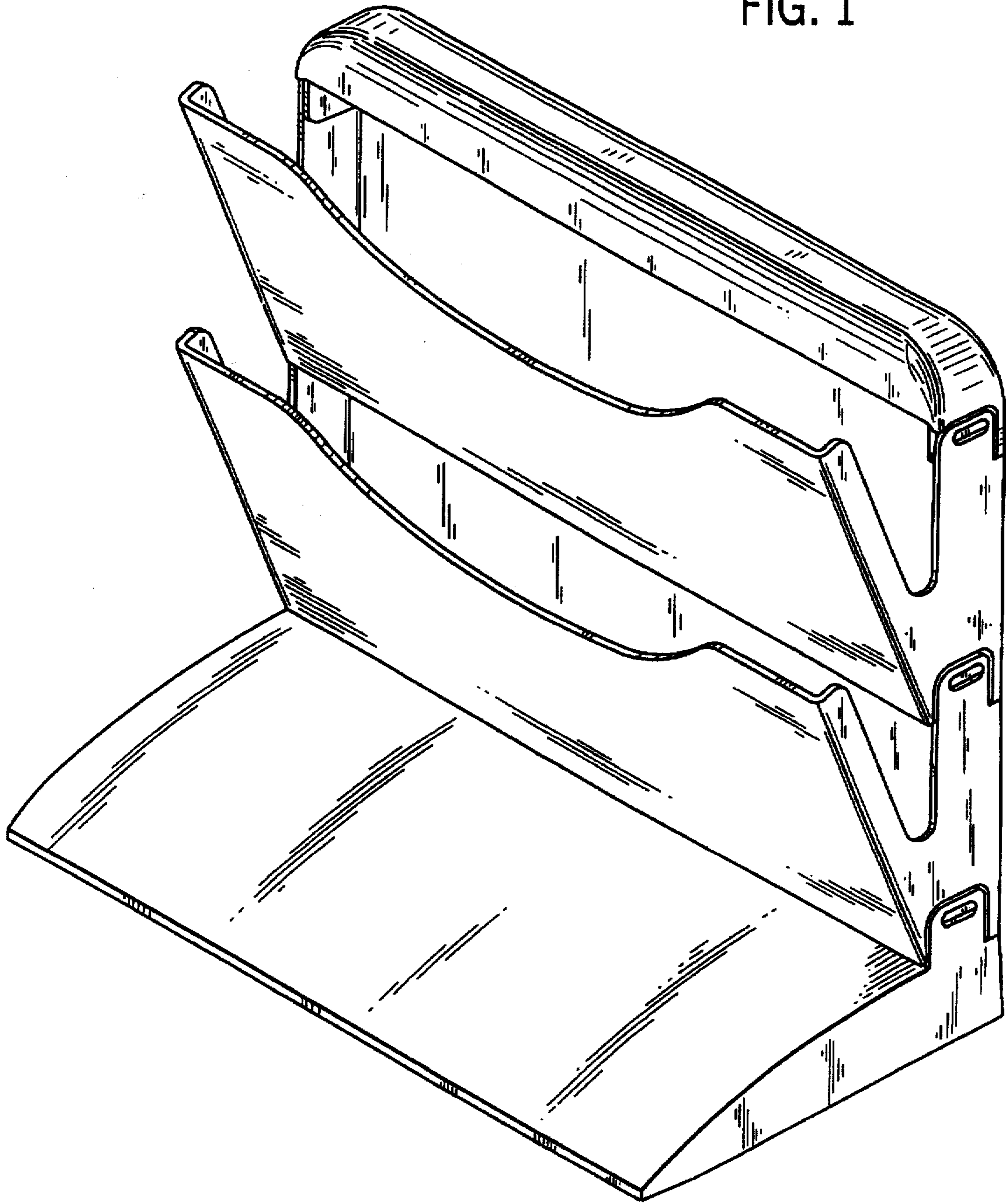


FIG. 2

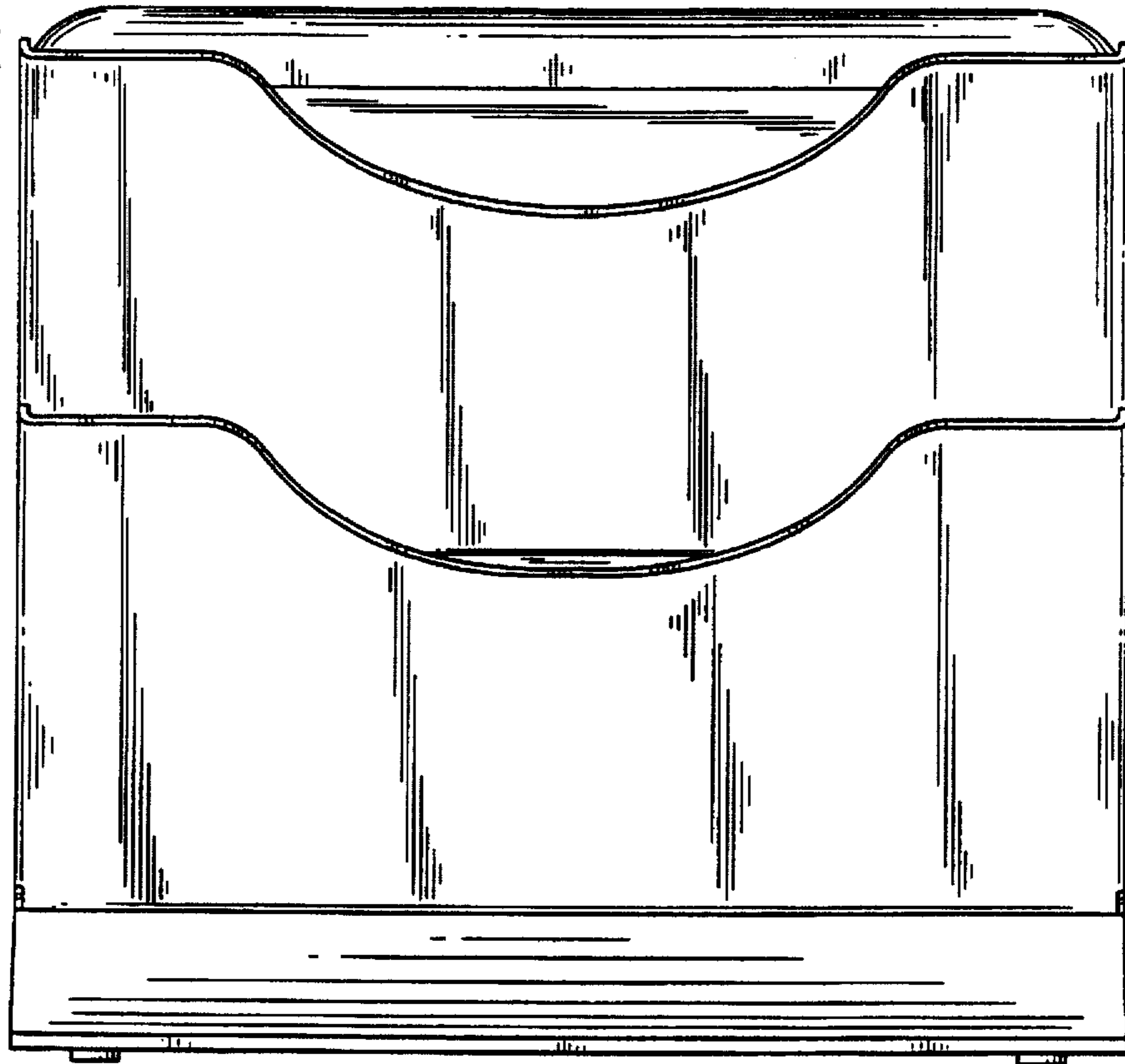


FIG. 3

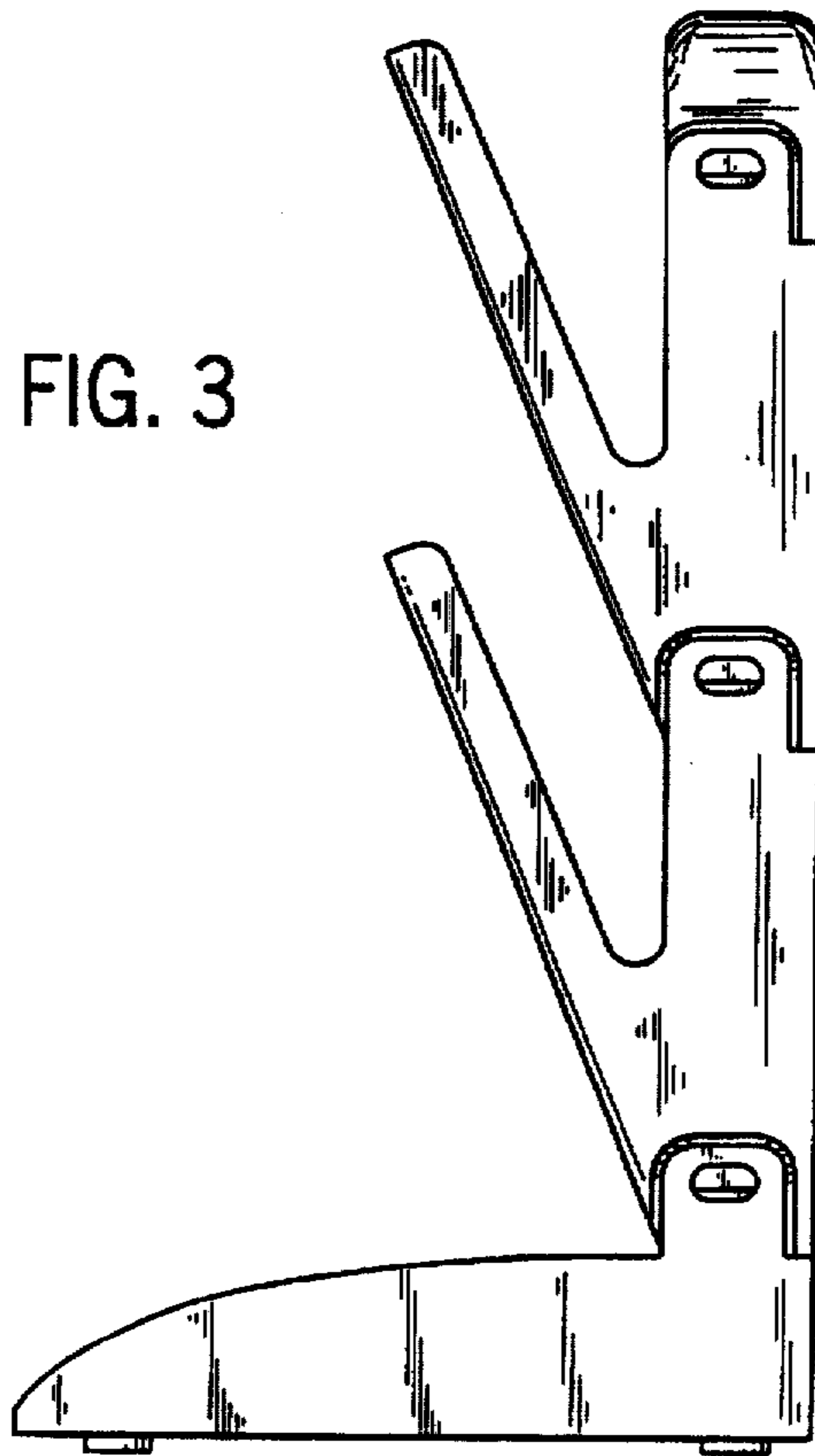


FIG. 5

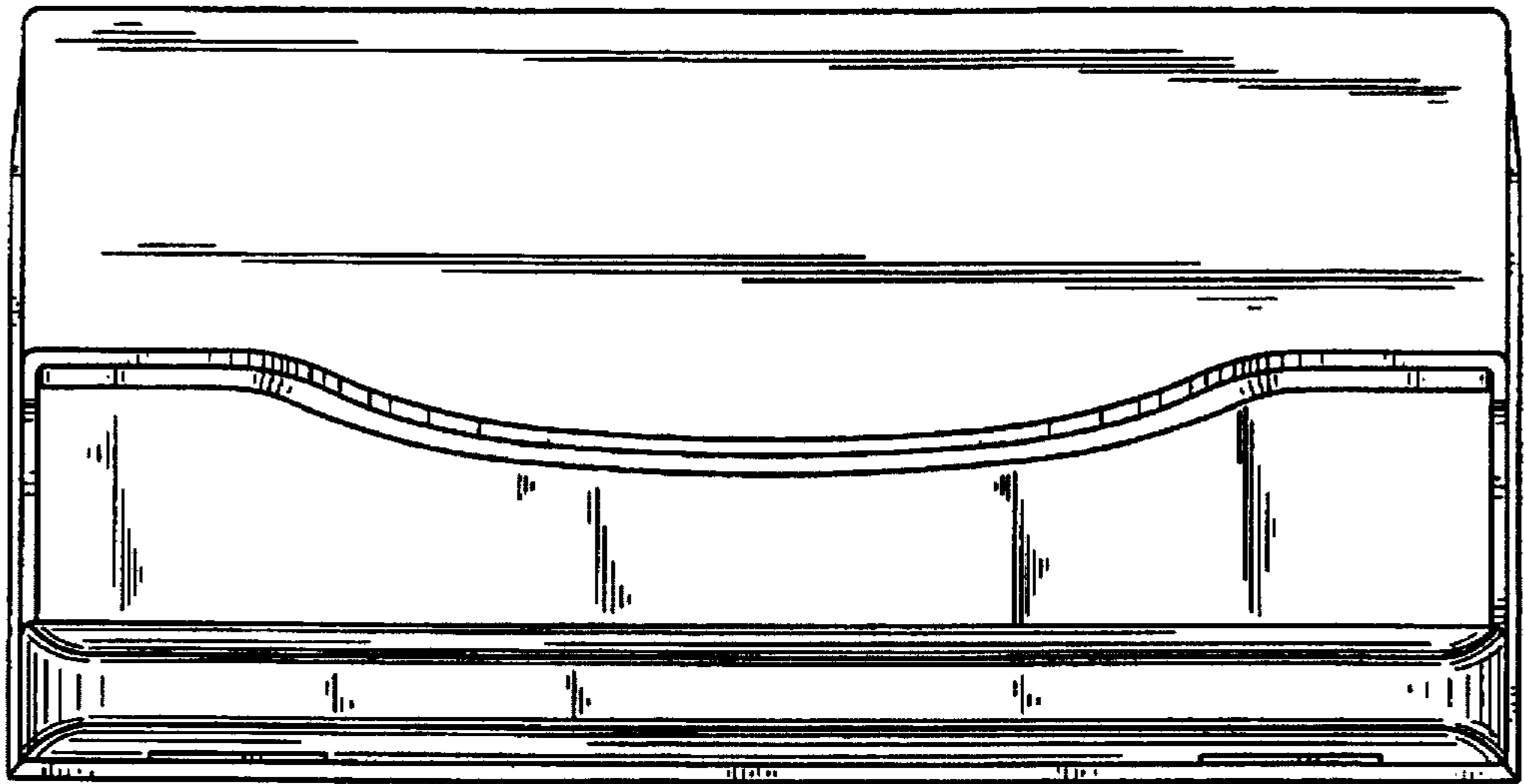


FIG. 4

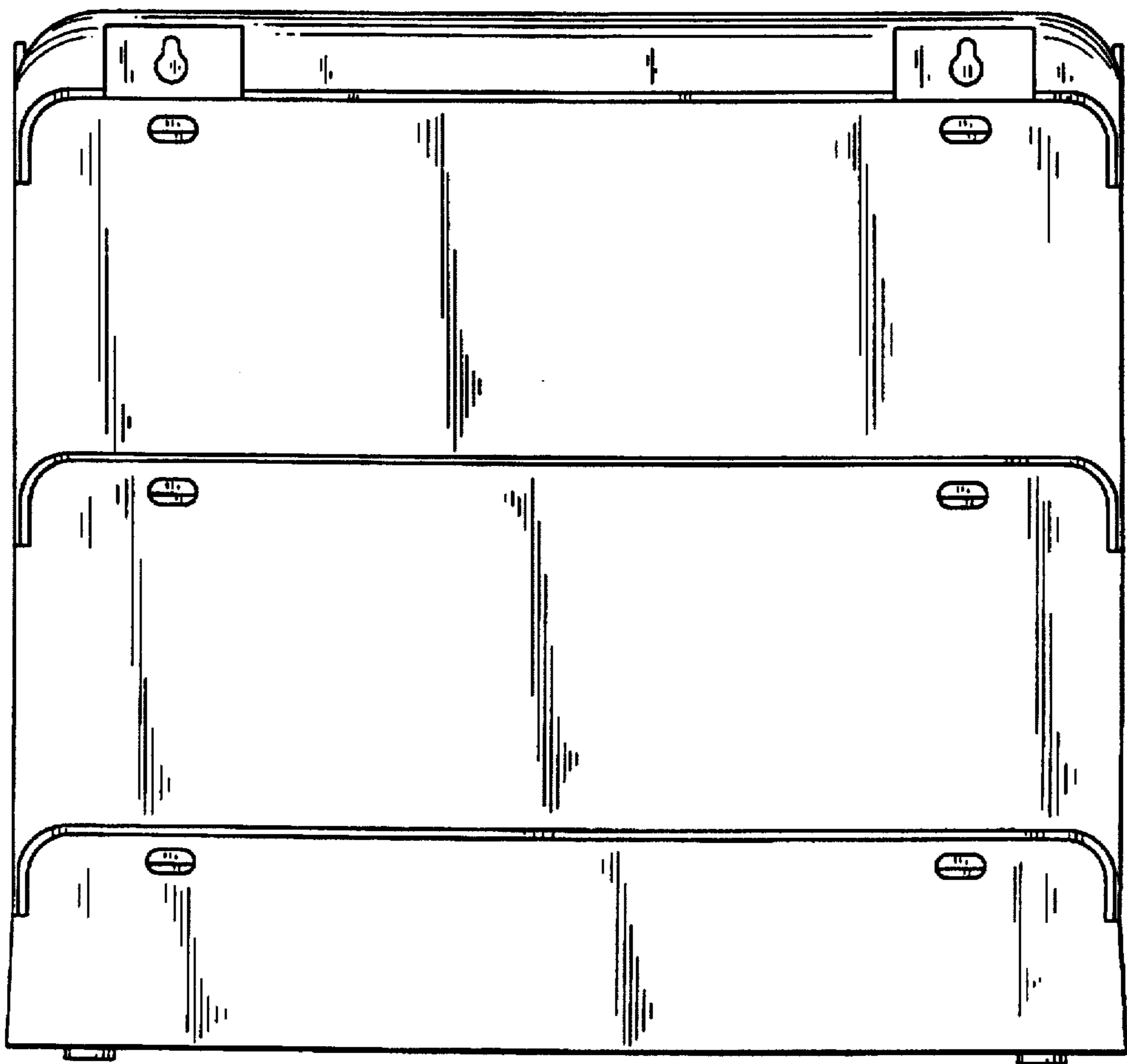


FIG. 6

