

US00D388451S

United States Patent [19]
Massarsky

[11] **Patent Number:** **Des. 388,451**
[45] **Date of Patent:** ****Dec. 30, 1997**

[54] **SELF PHOTOGRAPHY BOOTH**

[75] **Inventor:** **Yefim Massarsky, Newton, Mass.**
[73] **Assignee:** **Foto Fantasy, Inc., Windham, N.H.**
[**] **Term:** **14 Years**

[21] **Appl. No.:** **55,286**

[22] **Filed:** **Jun. 3, 1996**

[51] **LOC (6) Cl.** **16-01**

[52] **U.S. Cl.** **D16/215; D25/16**

[58] **Field of Search** **D16/215; D25/16;**
47/17; 396/2, 429

[56] **References Cited**

U.S. PATENT DOCUMENTS

D. 135,139	3/1943	Godfrey et al.	D16/215
D. 148,740	2/1948	Allen	D16/215
D. 342,542	12/1993	Massarsky	D16/215
2,832,275	4/1958	Applegate	396/2
4,316,347	2/1982	Smith	47/17
5,196,876	3/1993	Thayer	396/2

Primary Examiner—Philip S. Hyder
Assistant Examiner—Adir Aronovich
Attorney, Agent, or Firm—Brian M. Dingman

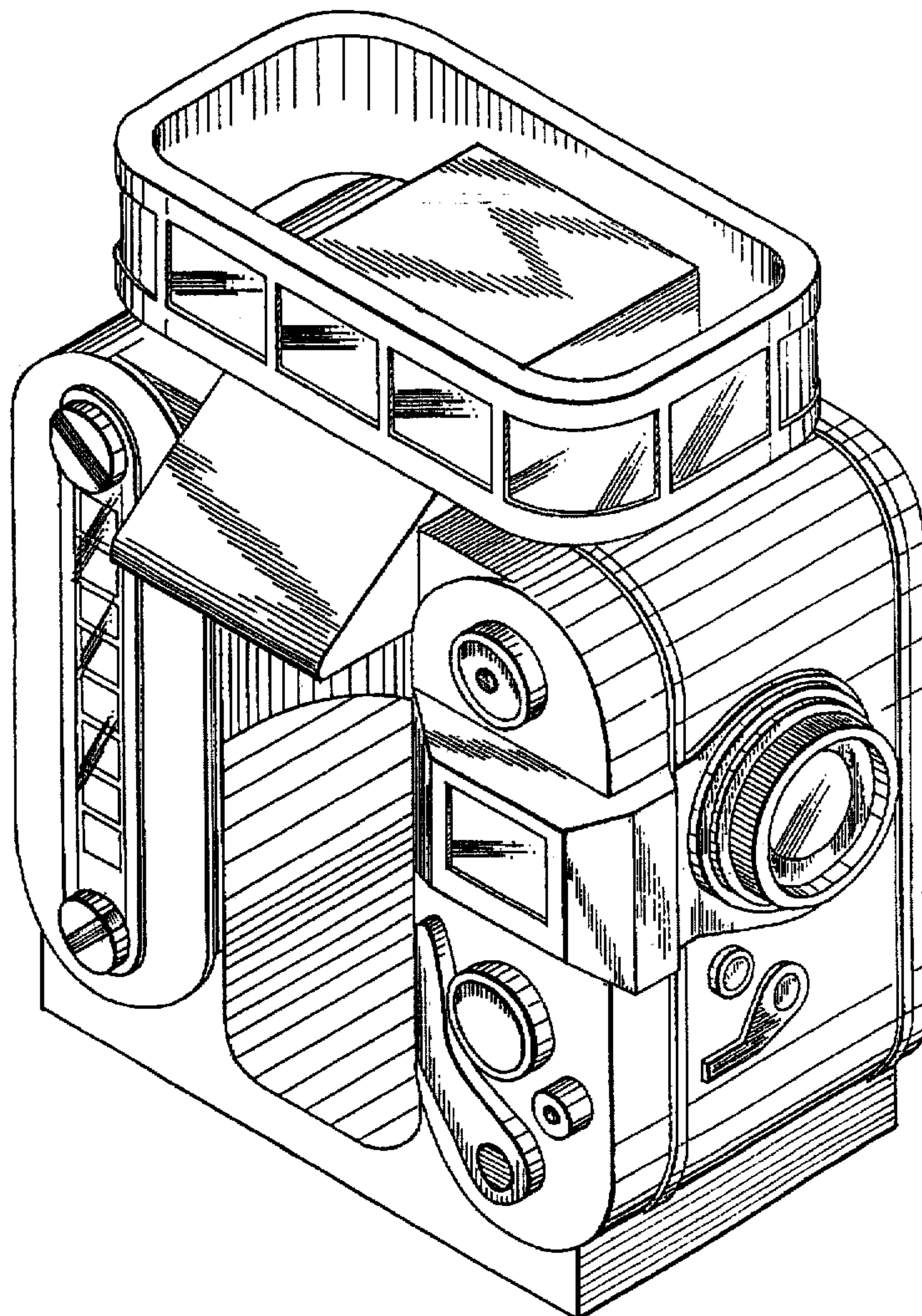
[57] **CLAIM**

The ornamental design for a self photography booth, as shown and described.

DESCRIPTION

FIG. 1 is a three-dimensional view of my new self photography booth;
FIG. 2 is a bottom view of the self photography booth of FIG. 1;
FIG. 3 is a left side view of the self photography booth of FIG. 1;
FIG. 4 is a front view of the self photography booth of FIG. 1;
FIG. 5 is a right side view of the self photography booth of FIG. 1;
FIG. 6 is a rear view of the self photography booth of FIG. 1; and
FIG. 7 is a top view of the self photography booth of FIG. 1.

1 Claim, 7 Drawing Sheets



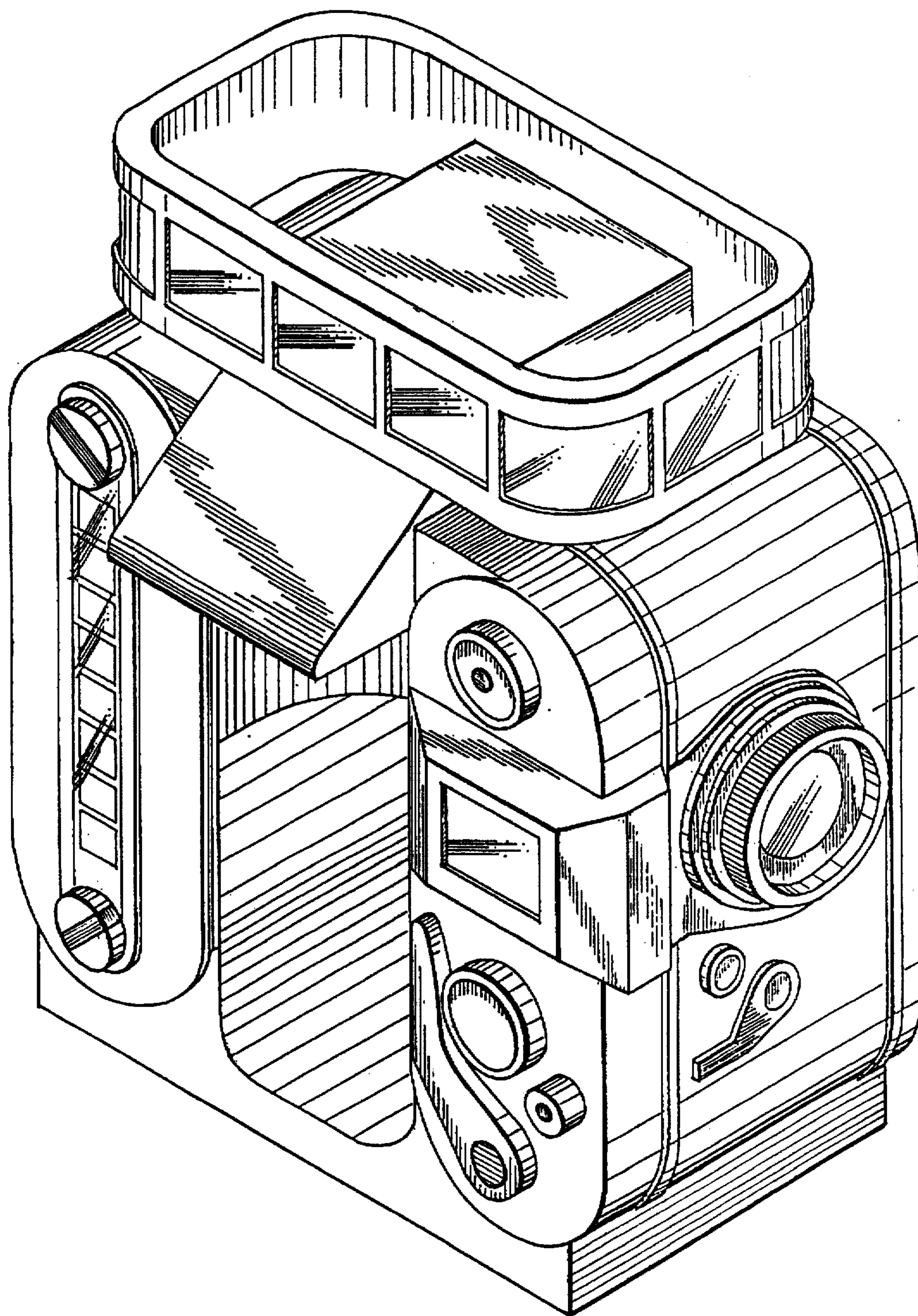


Fig - 1

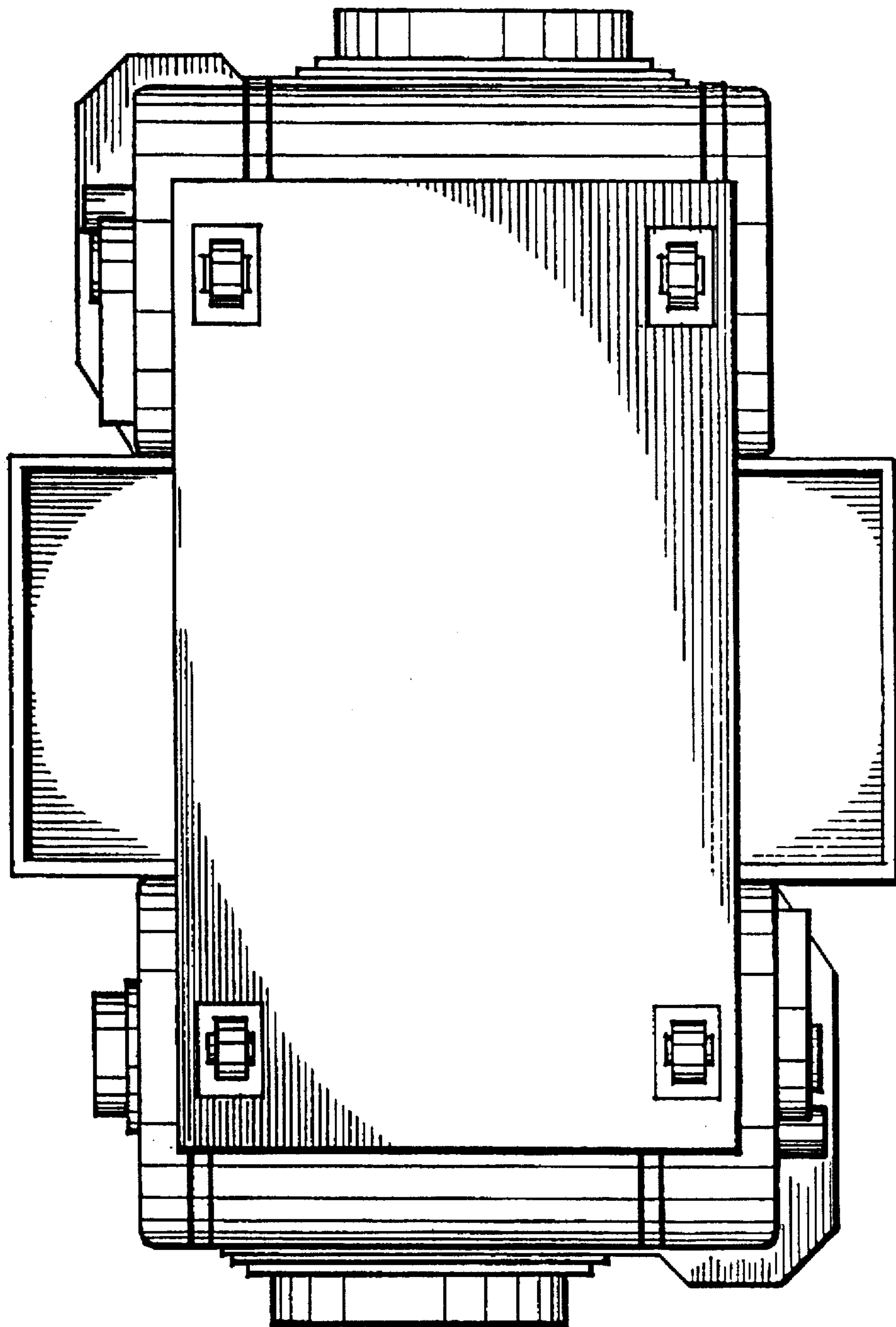


FIG - 2

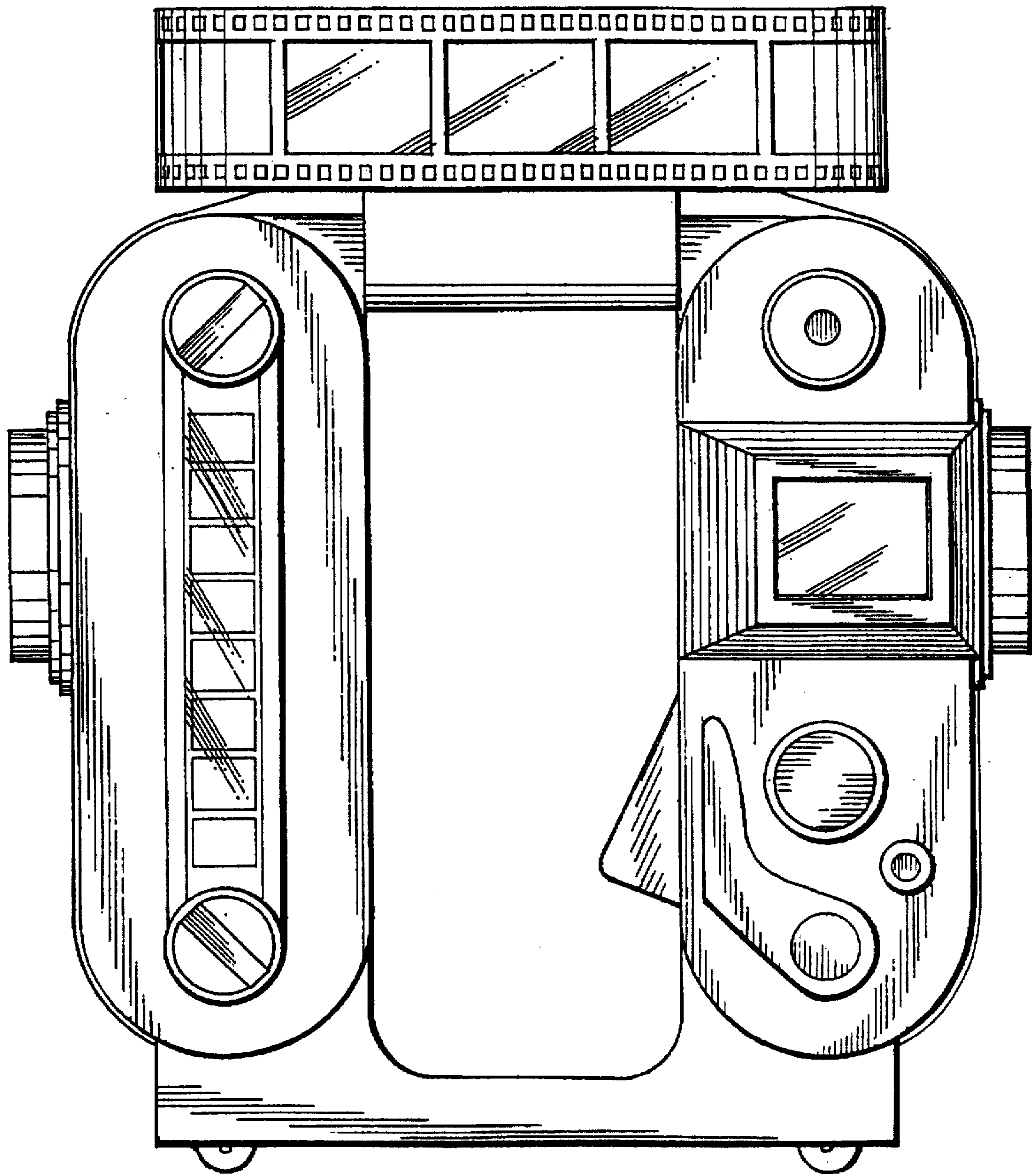


FIG - 3

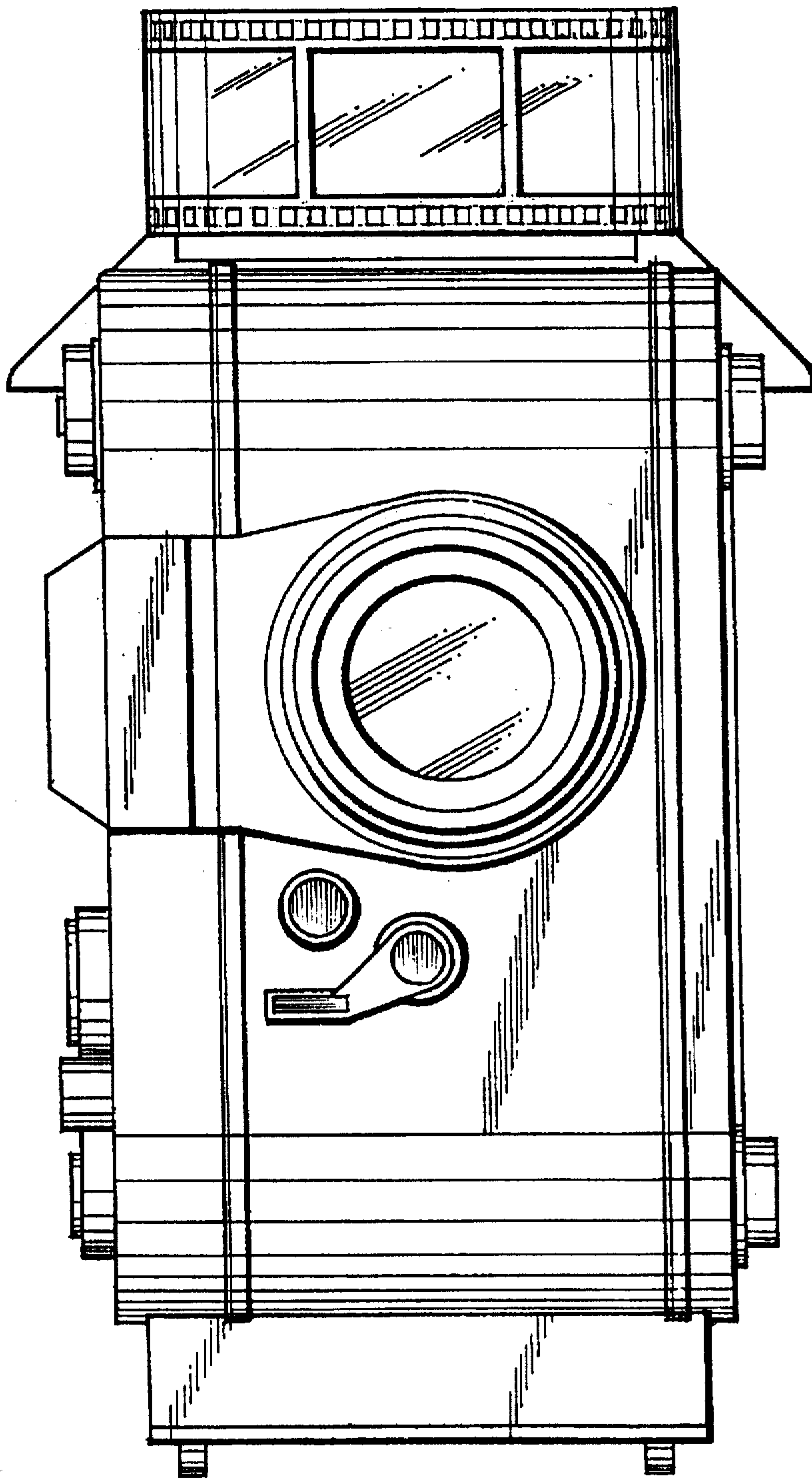


FIG - 4

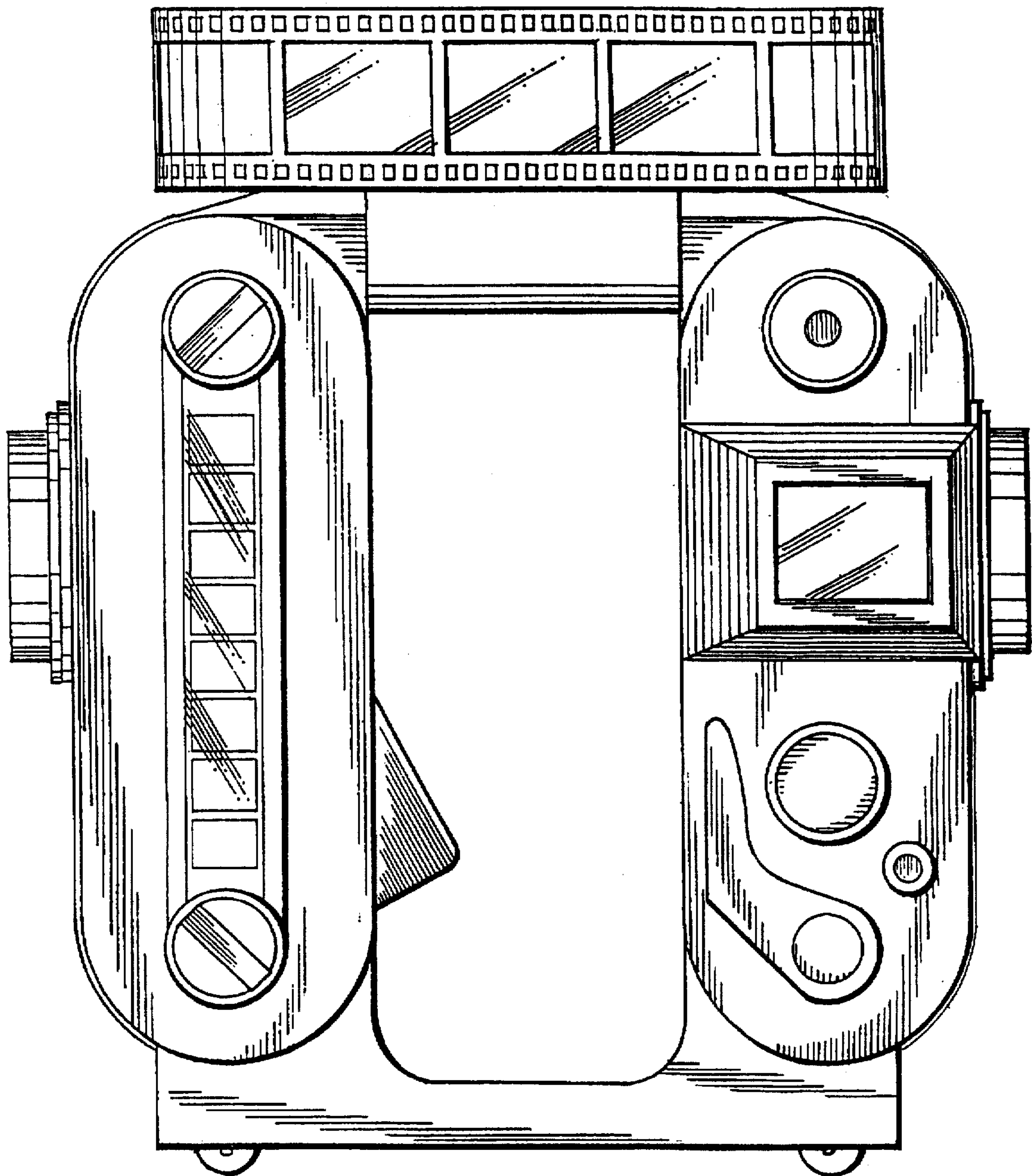


FIG. 5

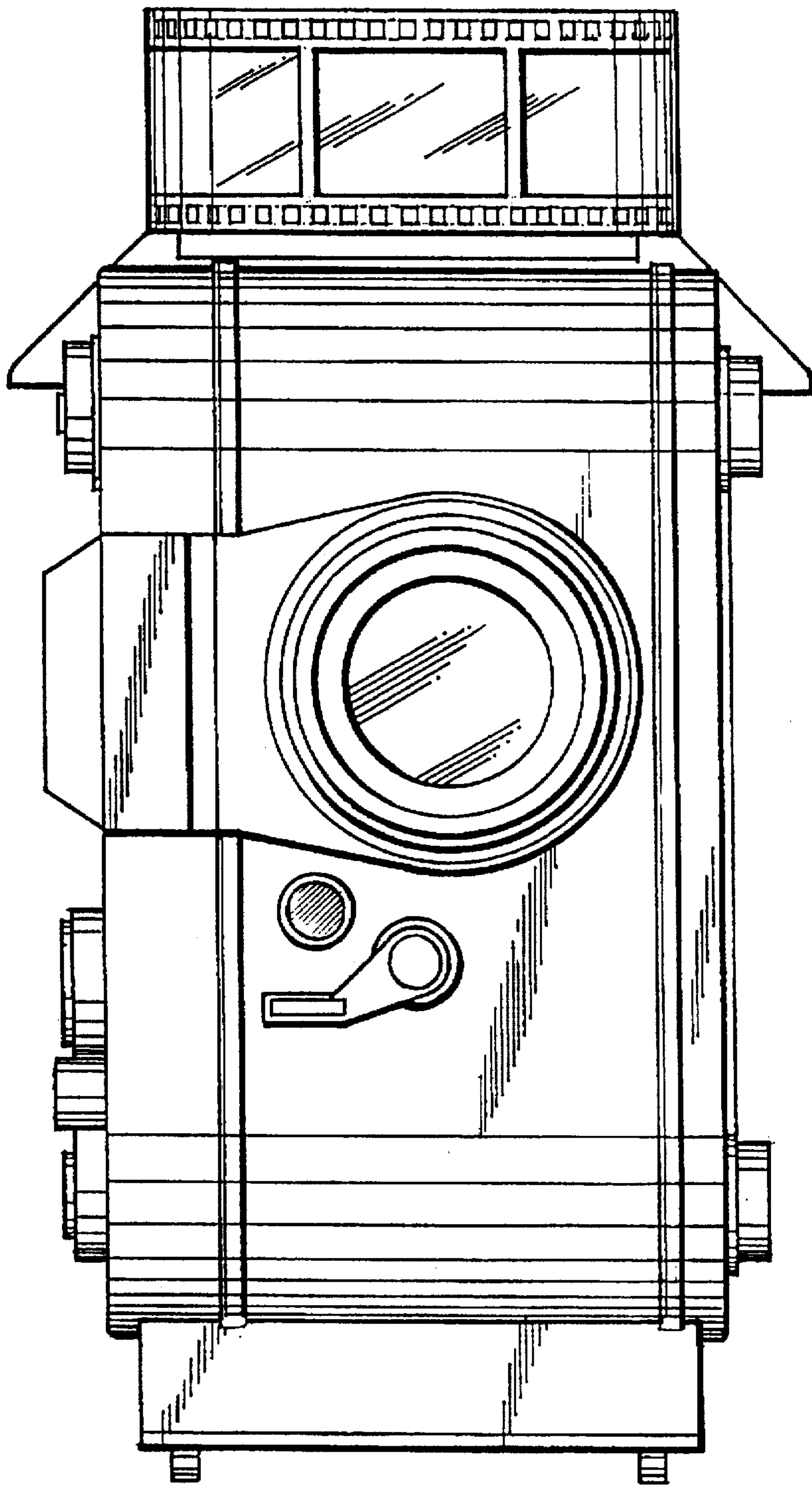


FIG - 6

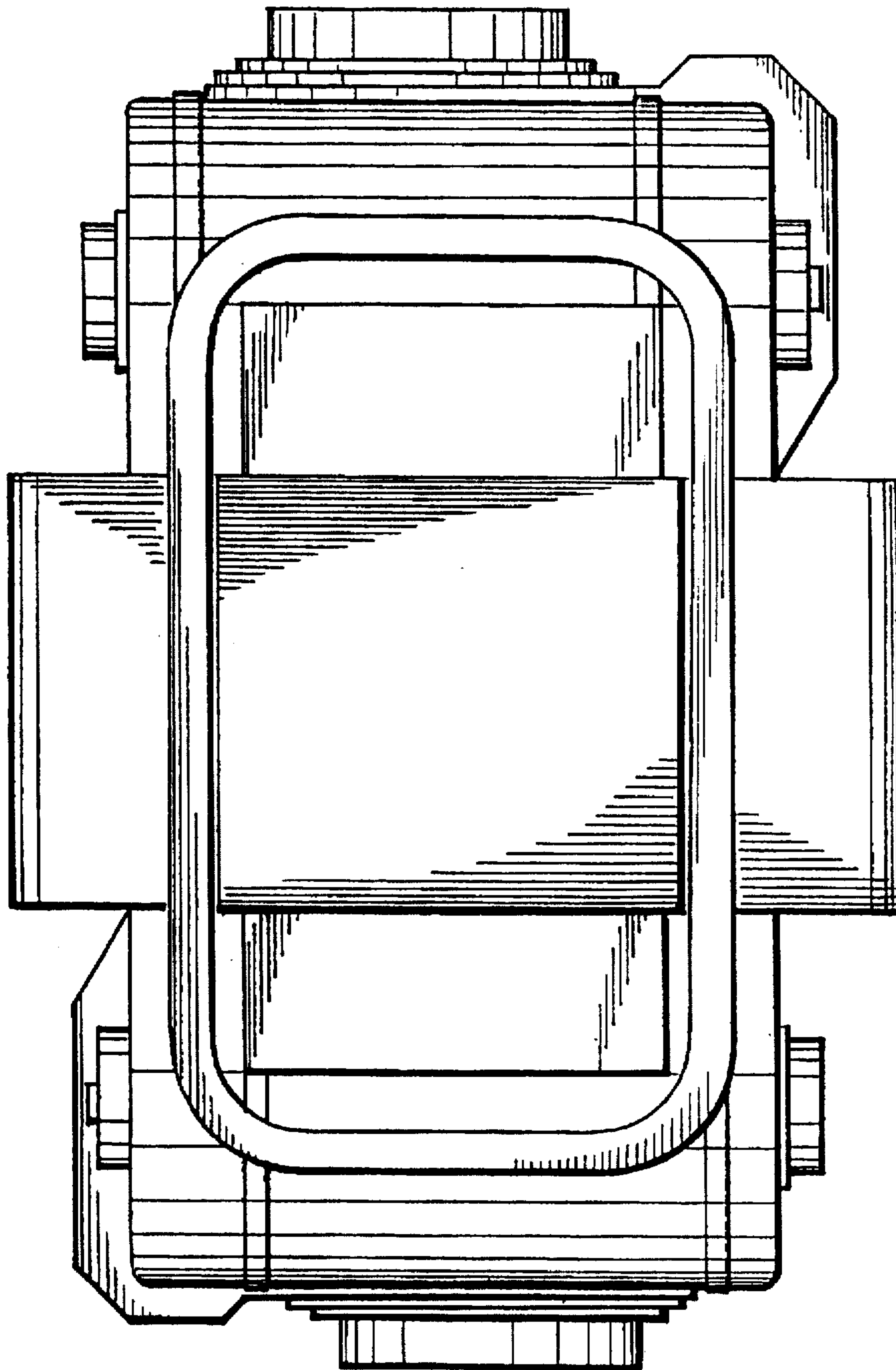


FIG - 7