

US00D388448S

United States Patent [19]

Lonnstedt

[11] Patent Number: **Des. 388,448**

[45] Date of Patent: ****Dec. 30, 1997**

[54] **MAGNIFIER LENS**

[76] Inventor: **Bo Gunnar Lonnstedt, Vanadisvägen
29, 113 23 Stockholm, Sweden**

[**] Term: **14 Years**

[21] Appl. No.: **48,627**

[22] Filed: **Jan. 5, 1996**

[30] **Foreign Application Priority Data**

Jul. 6, 1995 [SE] Sweden 95-1342

[51] LOC (6) CL **16-06**

[52] U.S. Cl. **D16/135**

[58] Field of Search D16/130, 131,
D16/134, 135; 359/362, 368, 815, 508;
73/331

[56] **References Cited**

U.S. PATENT DOCUMENTS

13,603 9/1855 Tolles 359/362

D. 272,915	3/1984	Feinbloom et al.	D16/130
D. 286,092	10/1986	Weimar	D16/130 X
D. 334,940	4/1993	Wolinsky	D16/134
2,220,038	10/1940	Kreisler et al.	359/815 X
2,312,542	3/1943	Goodman	D16/130 X
3,551,021	12/1970	Straat	359/368
4,949,978	8/1990	Berner	D16/135 X

Primary Examiner—Paula A. Mortimer
Attorney, Agent, or Firm—Young & Thompson

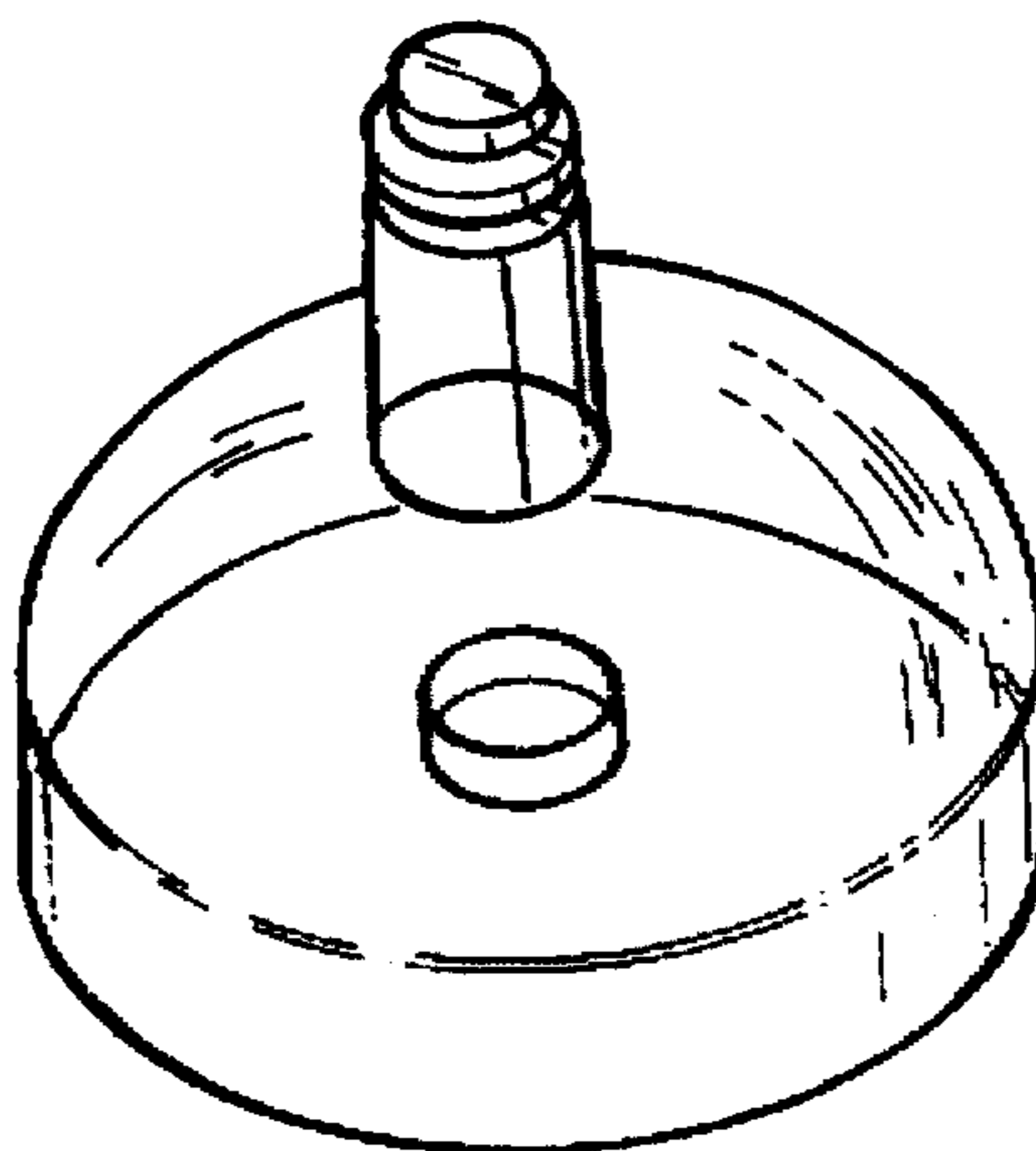
[57] **CLAIM**

The ornamental design for a magnifier lens, as shown and described.

DESCRIPTION

FIG. 1 is a top and side perspective view a magnifier lens, showing my new design;
FIG. 2 is a bottom and side perspective view thereof; and,
FIG. 3 is a side elevational view thereof, the appearance of which is the same on all sides.

1 Claim, 1 Drawing Sheet



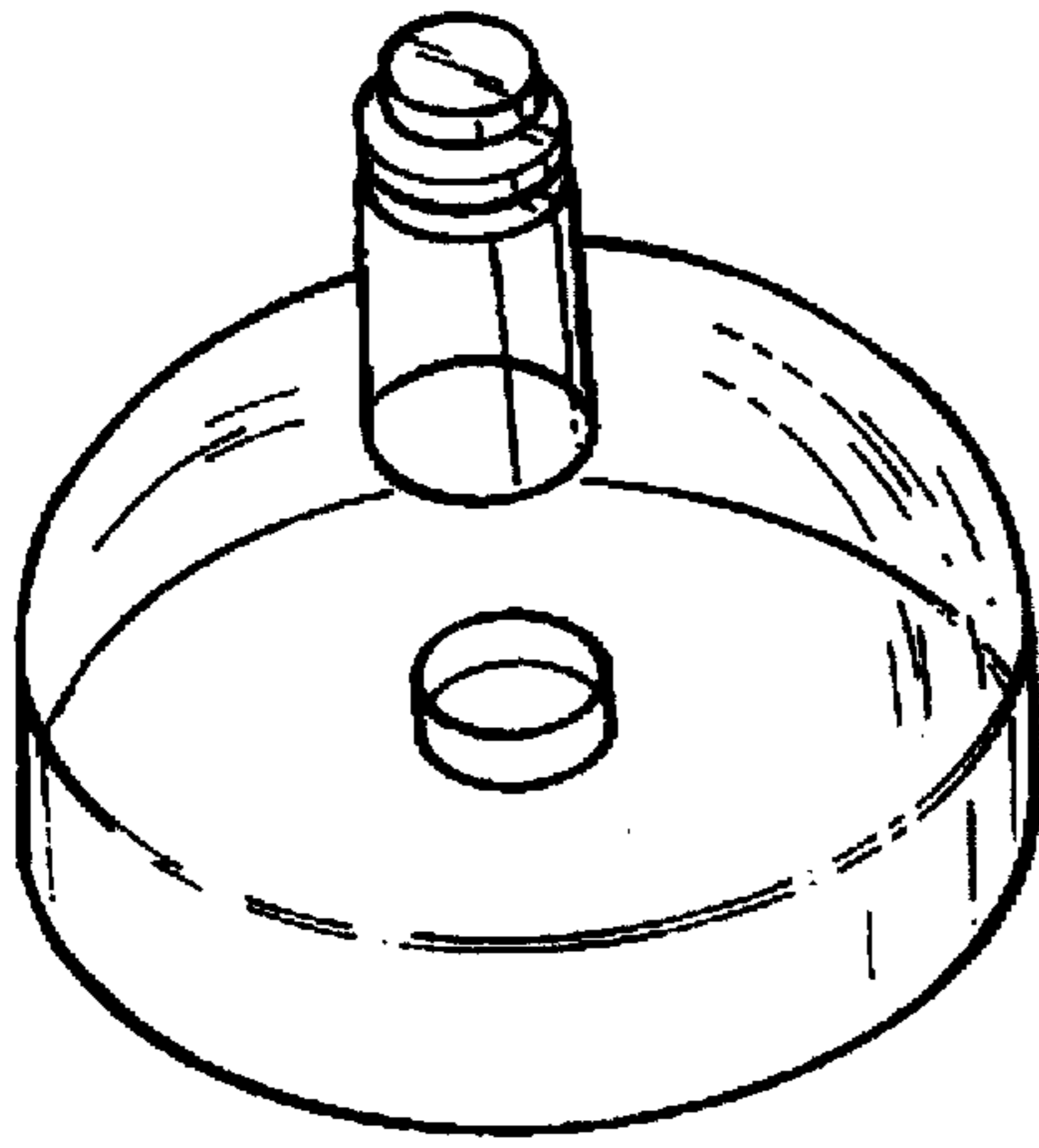


FIG. 1

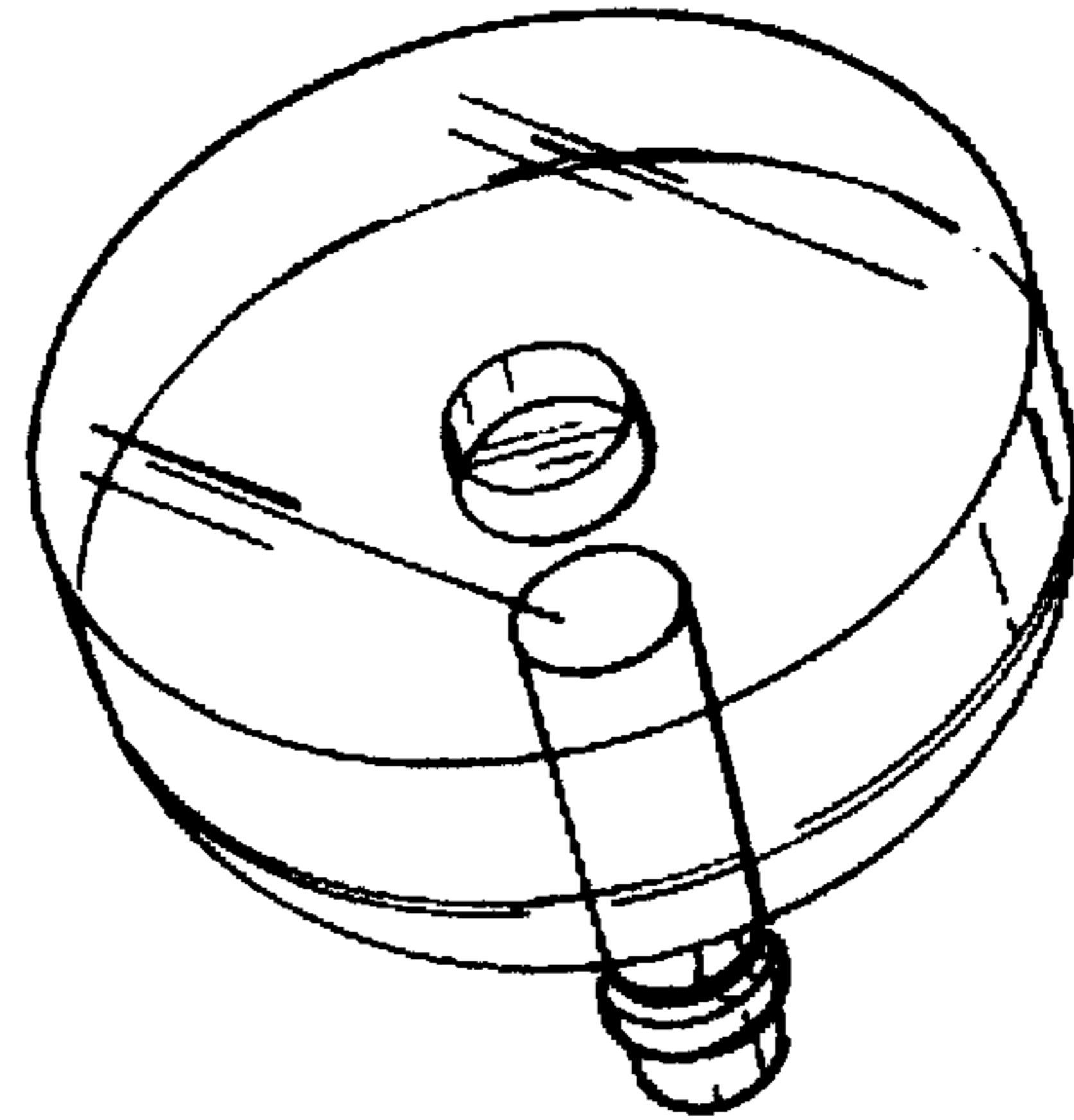


FIG. 2

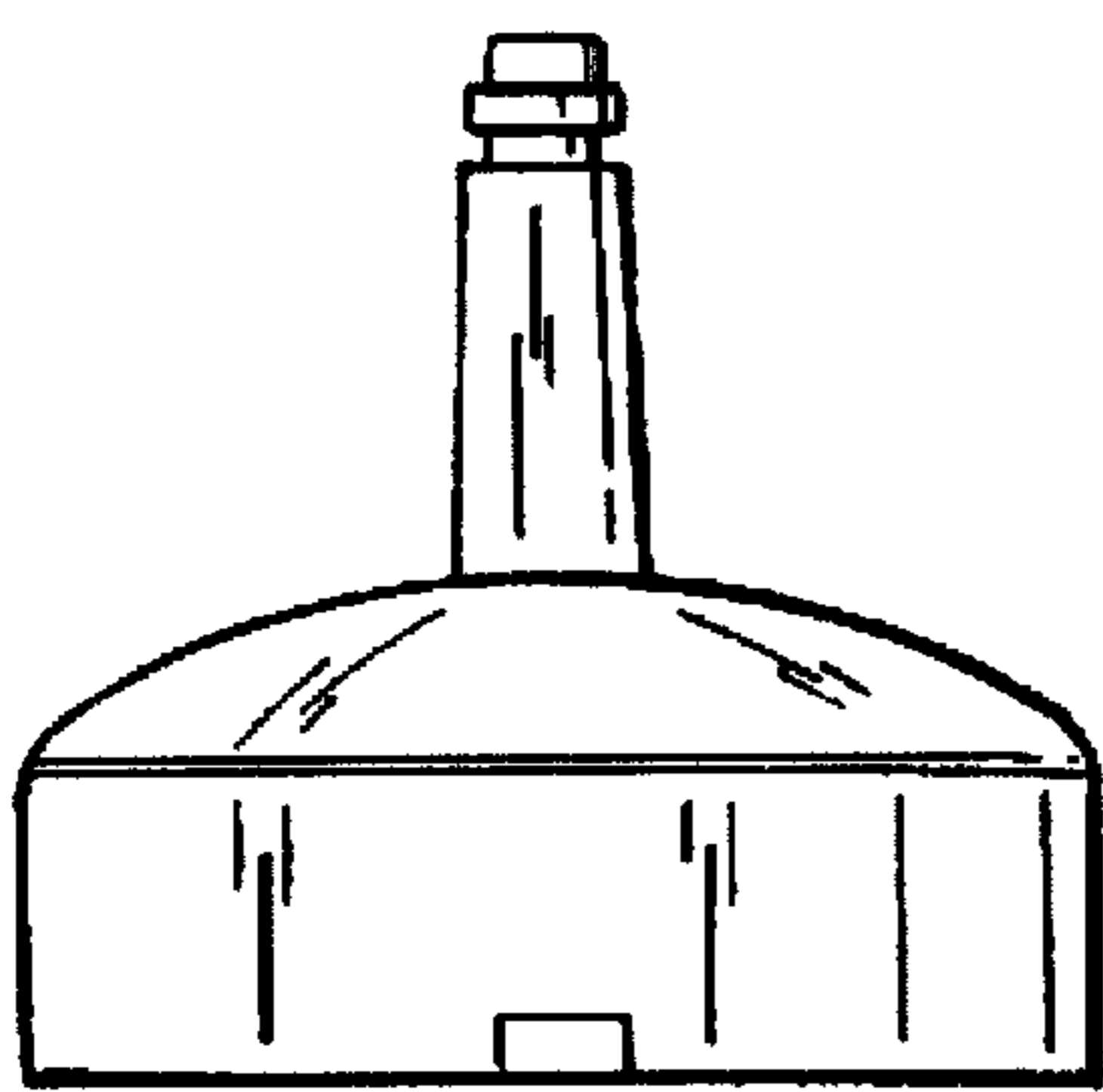


FIG. 3