



US00D388447S

United States Patent [19] Otto

[11] Patent Number: Des. 388,447
[45] Date of Patent: **Dec. 30, 1997

[54] UNIVERSAL MIXER
[75] Inventor: **Freidrich Otto**, Hameln, Germany
[73] Assignee: **A. Stephan U. Soehne GmbH & Co.**,
Hameln, Germany
[**] Term: **14 Years**
[21] Appl. No.: **59,290**
[22] Filed: **Sep. 6, 1996**
[51] LOC (6) Cl **15-99**
[52] U.S. Cl. **D15/147; D7/384**
[58] Field of Search **D7/384; D15/147;**
277/95, 206 R; 366/143, 185, 241, 260,
601, 604, 605

4,568,194 2/1986 Gargioni 366/601 X
4,863,278 9/1989 Otto 366/143
4,955,724 9/1990 Otto 366/314

FOREIGN PATENT DOCUMENTS

DM/019777 6/1991 WIPO .

Primary Examiner—Antoine Duval Davis
Attorney, Agent, or Firm—Foley & Lardner

[57] CLAIM

The ornamental design for an universal mixer, as shown and described.

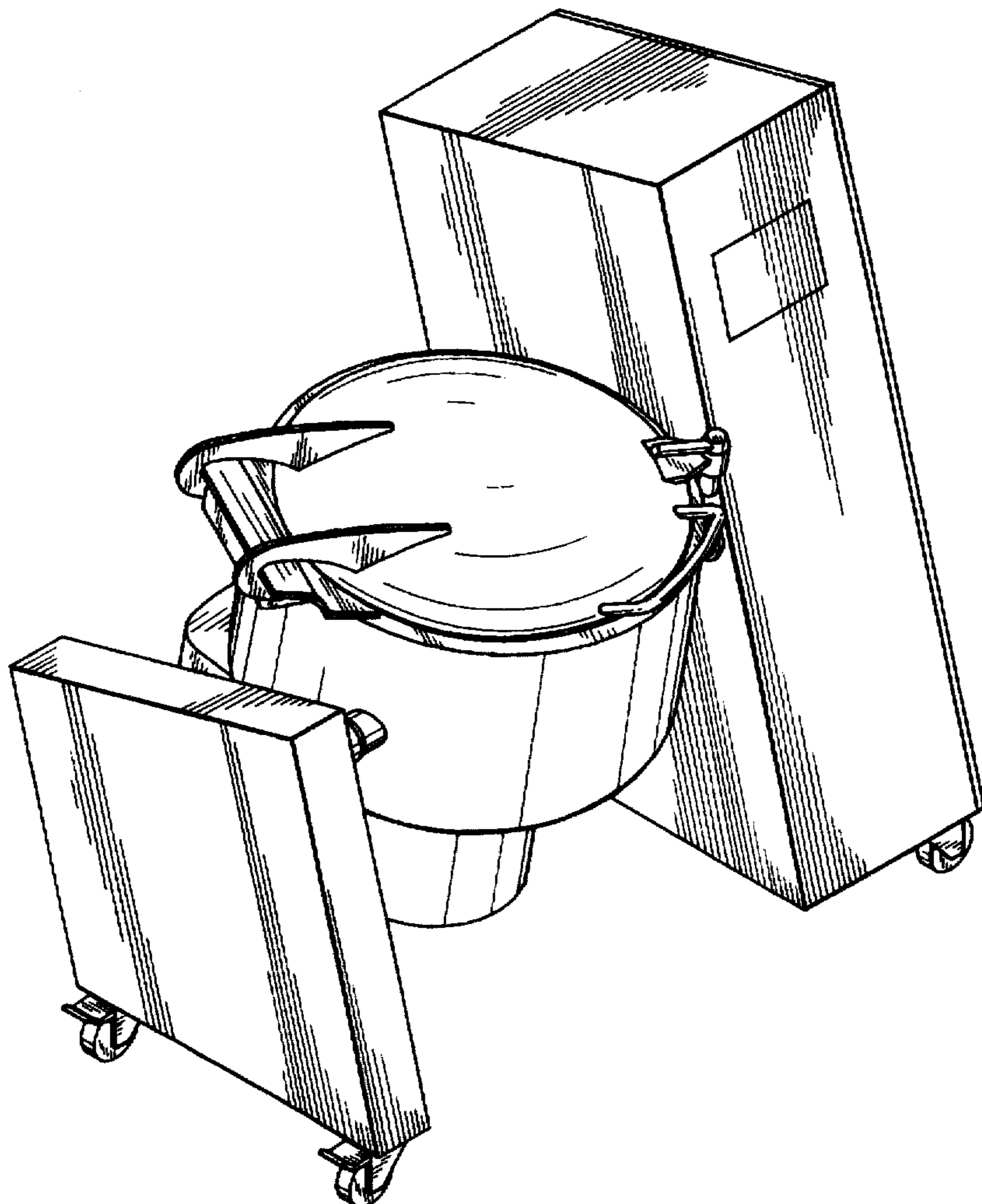
DESCRIPTION

FIG. 1 is a perspective view of the universal mixer showing my design;
FIG. 2 is a left side elevational view thereof;
FIG. 3 is a right side elevational view thereof;
FIG. 4 is a bottom plan view thereof;
FIG. 5 is a rear elevational view thereof;
FIG. 6 is a front elevational view thereof; and,
FIG. 7 is a top plan view thereof.

1 Claim, 7 Drawing Sheets

[56] References Cited U.S. PATENT DOCUMENTS

D. 294,448 3/1988 Otto D7/368
D. 319,370 8/1991 Otto D7/384
2,918,956 12/1959 Otto 146/68
3,884,423 5/1975 Wilson 241/282.1



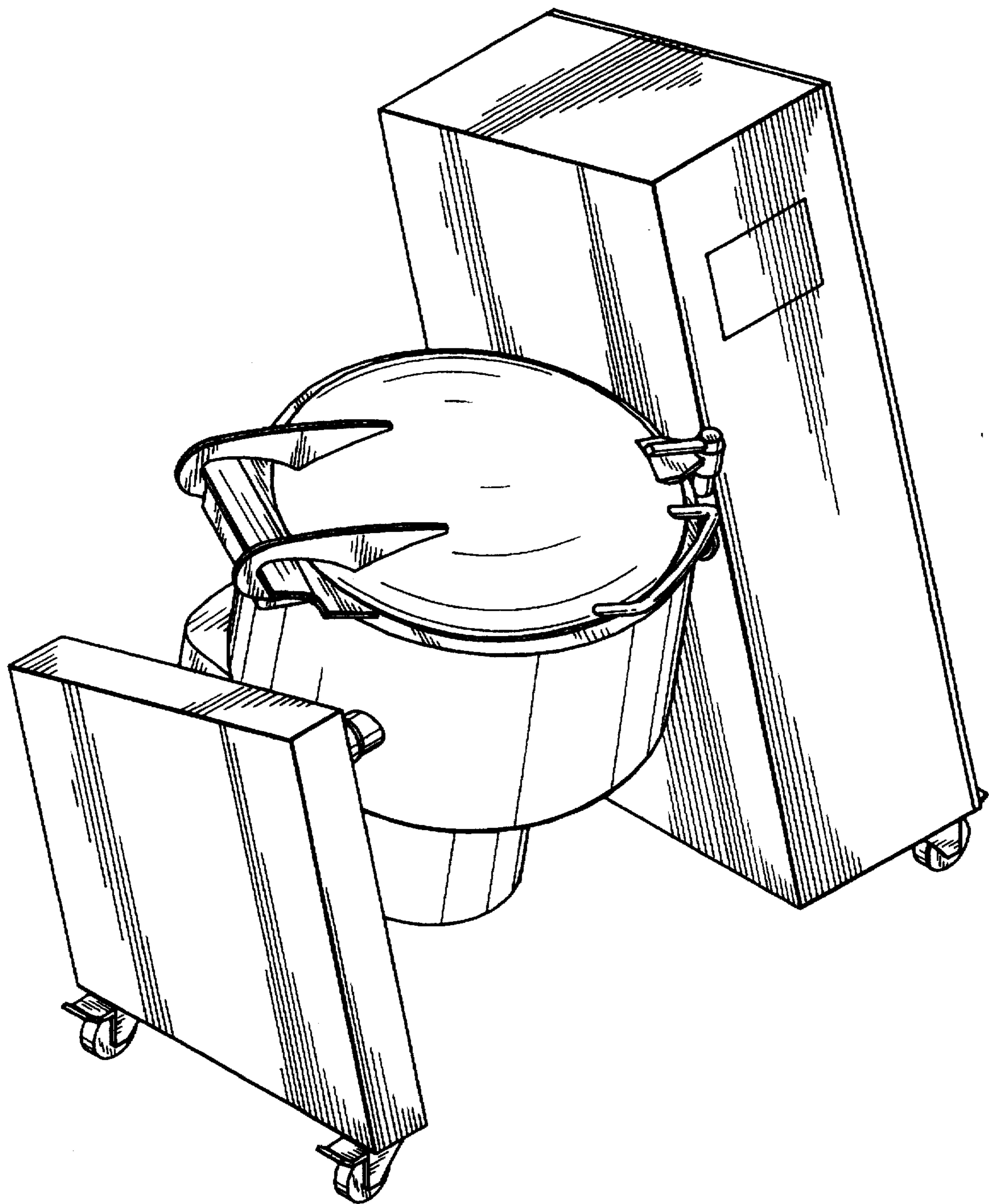


FIG. 1

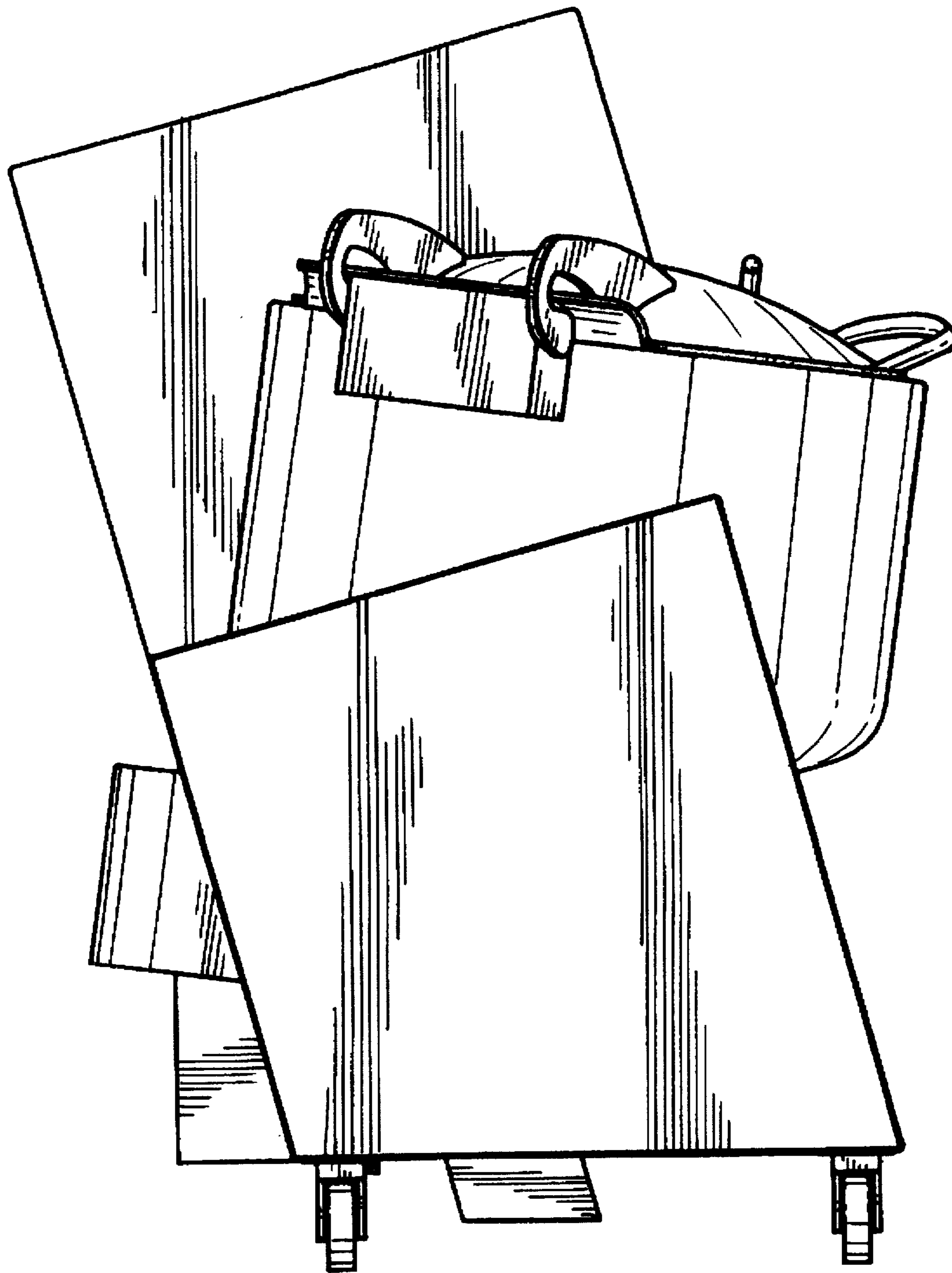


FIG. 2

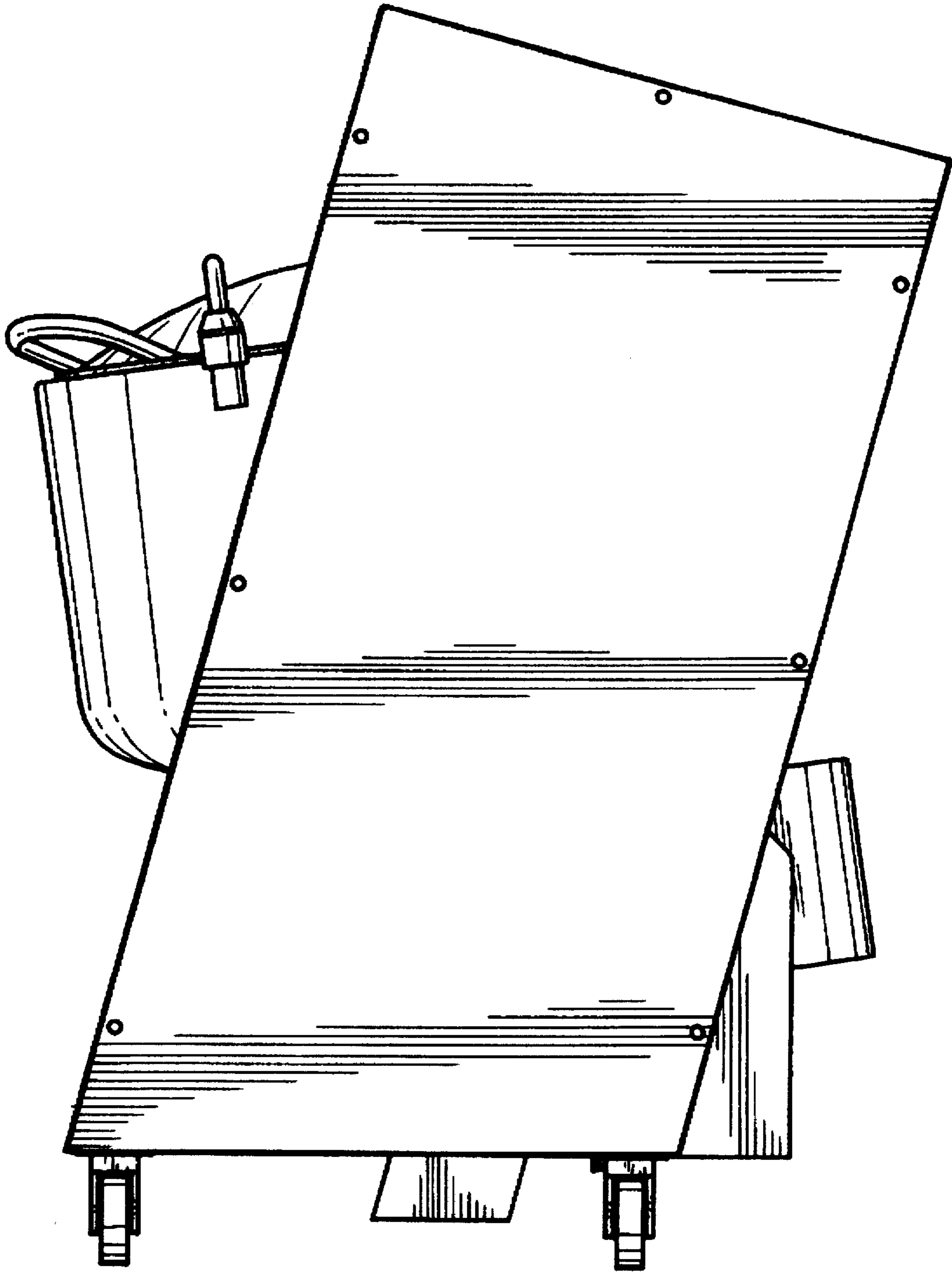


FIG. 3

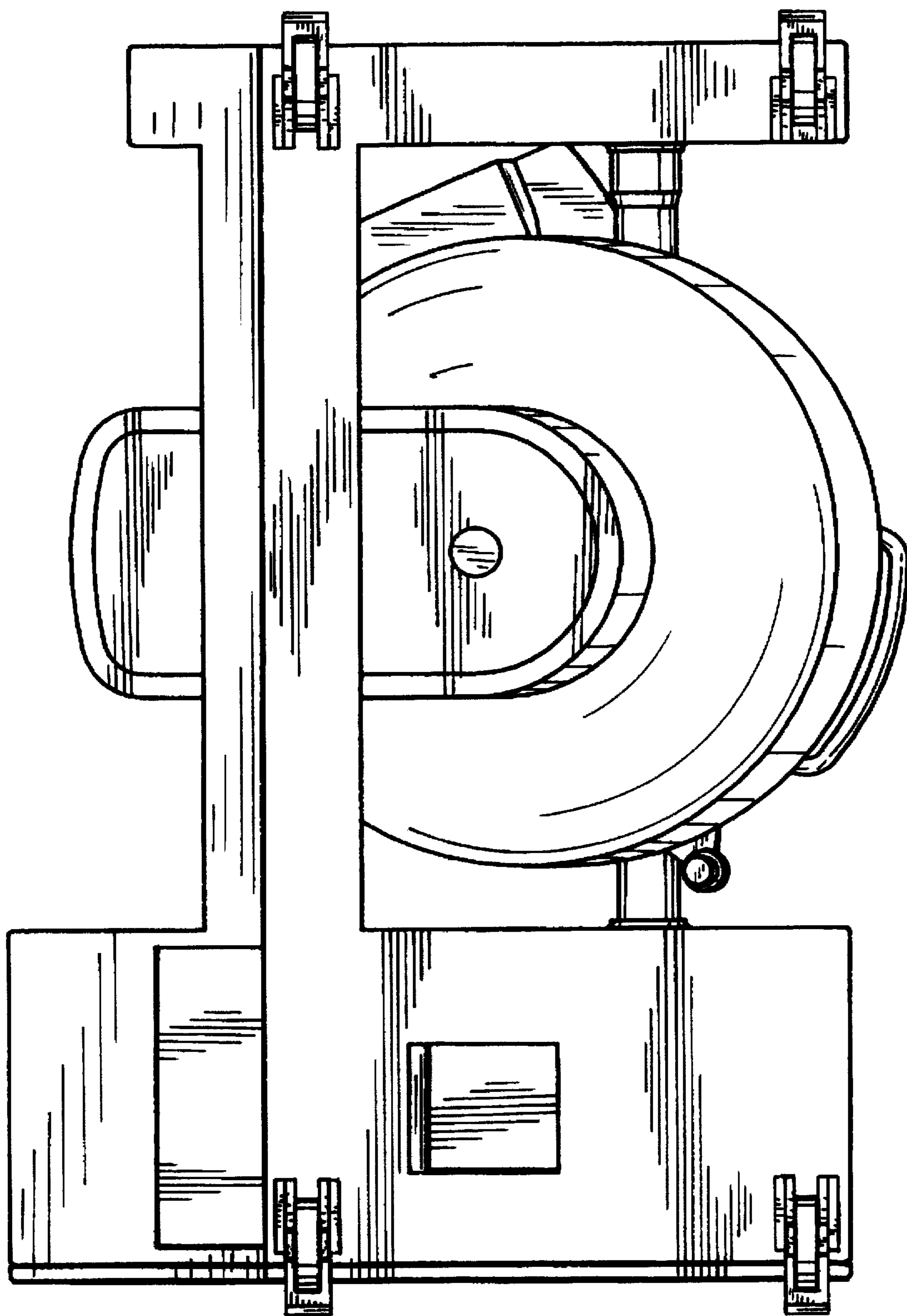


FIG. 4

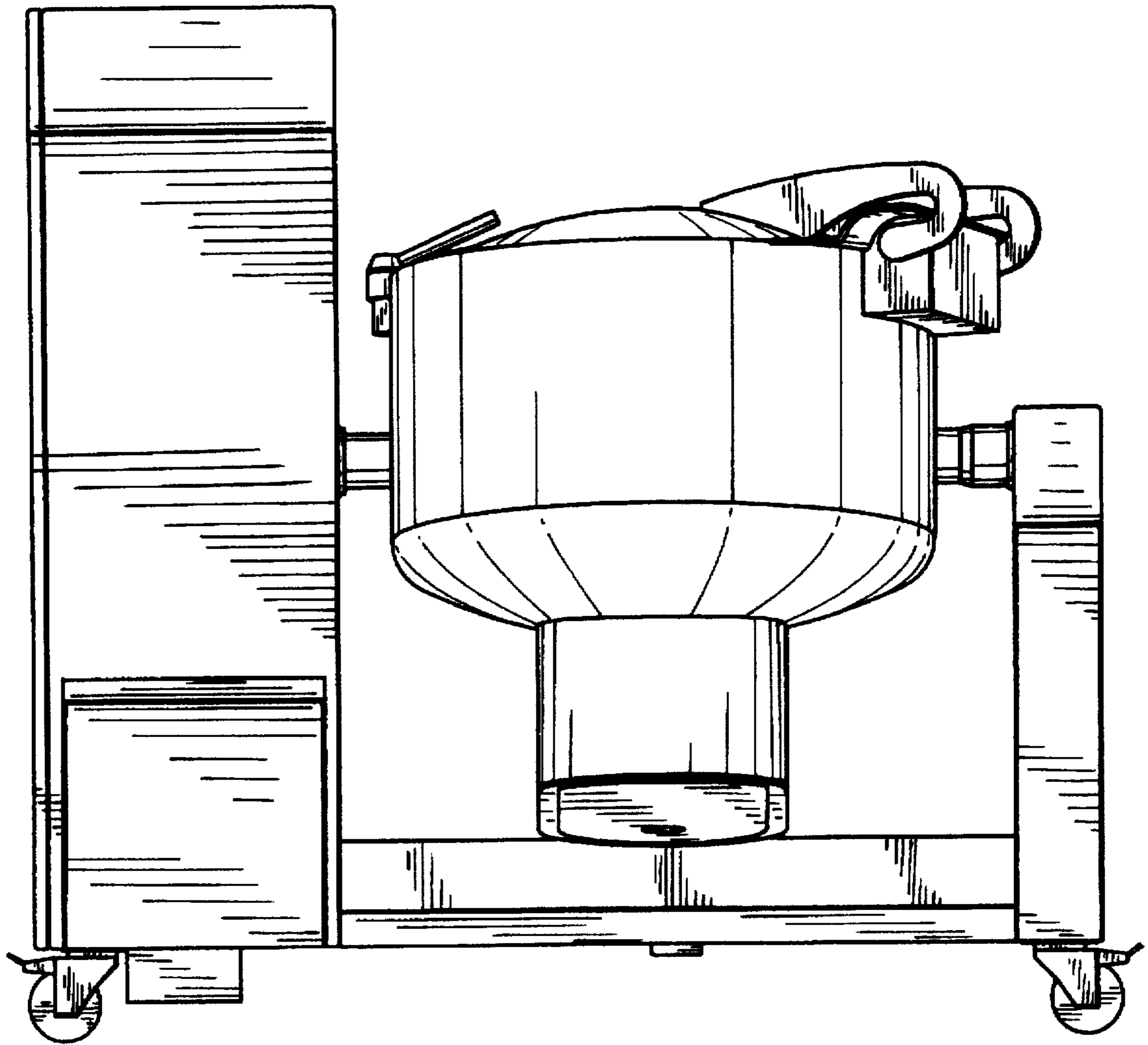


FIG. 5

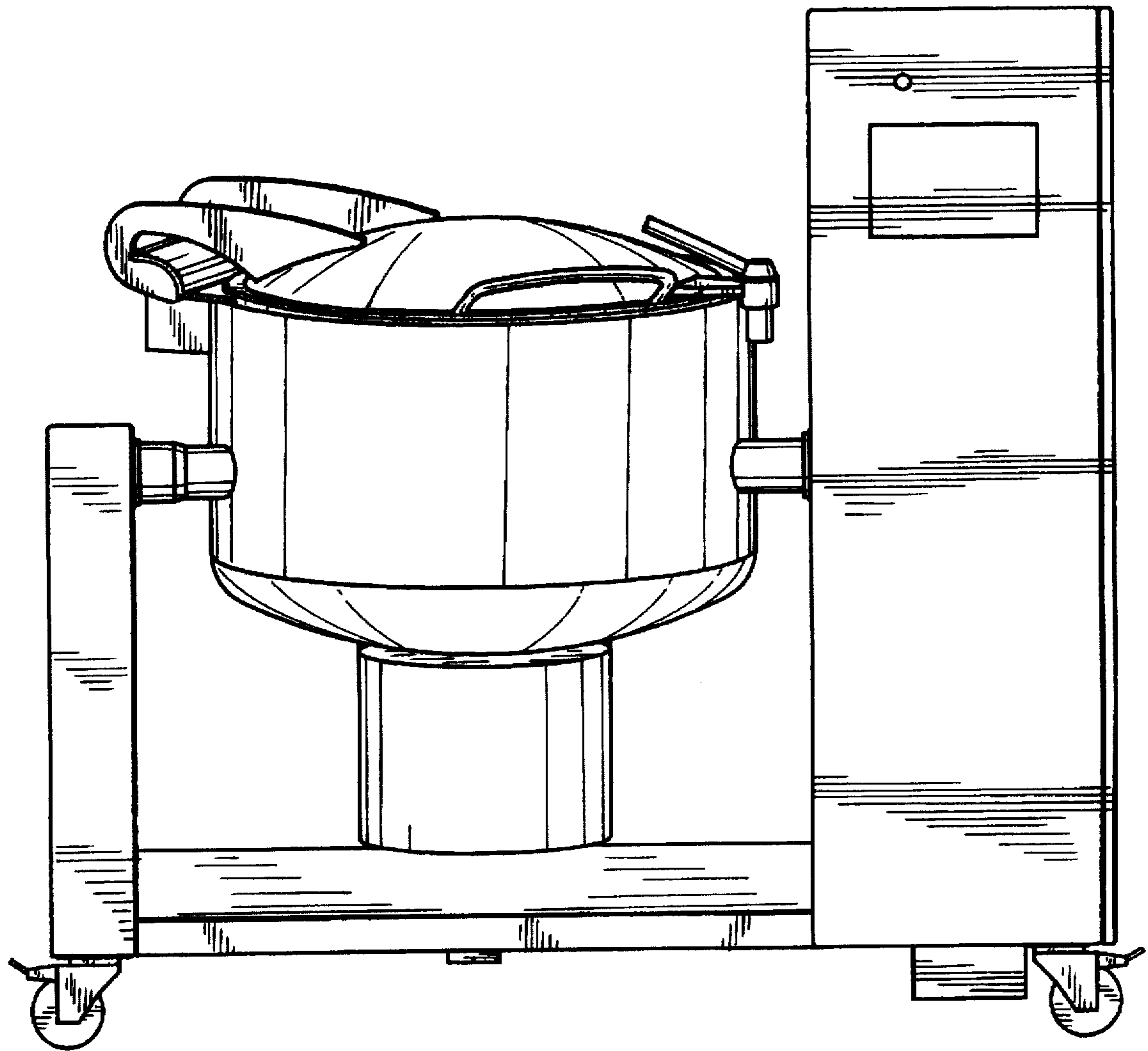


FIG. 6

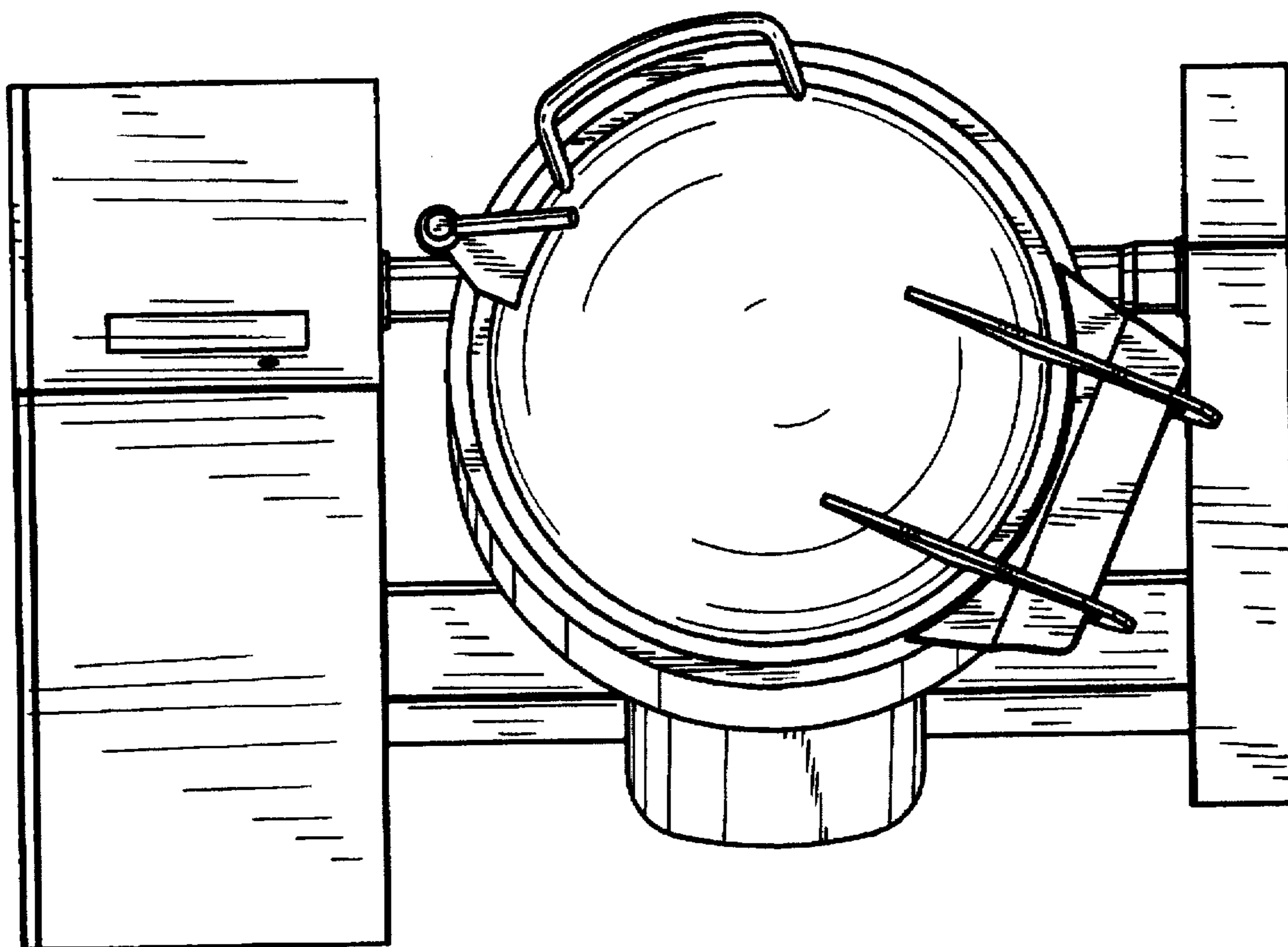


FIG. 7

UNITED STATES PATENT AND TRADEMARK OFFICE
CERTIFICATE OF CORRECTION

PATENT NO. : Des. 388,447
DATED : December 30, 1997
INVENTOR(S) : Freidrich OTTO

It is certified that error appears in the above-identified patent and that said Letters Patent is hereby corrected as shown below:

On the cover sheet, column 1, after item [22], please insert -- [item 30] Foreign Application Priority Data, March 7, 1996, WIPO OMPI DM/035 783 ---.

Signed and Sealed this
Twenty-sixth Day of May, 1998

Attest:



BRUCE LEHMAN

Attesting Officer

Commissioner of Patents and Trademarks