



US00D388445S

United States Patent [19]
Powlett

[11] **Patent Number: Des. 388,445**
[45] **Date of Patent: **Dec. 30, 1997**

[54] **PUNCH RETAINER**

[75] **Inventor: Michael J. Powlett, Warwickshire, England**

[73] **Assignee: Porter Precision Products Co., Cincinnati, Ohio**

[**] **Term: 14 Years**

[21] **Appl. No.: 60,139**

[22] **Filed: Sep. 23, 1996**

[51] **LOC (6) Cl. 15-09**

[52] **U.S. Cl. D15/140**

[58] **Field of Search D15/140; 72/462, 72/482.91; 83/685, 687, 698.71, 699.31**

[56] **References Cited**

U.S. PATENT DOCUMENTS

D. 346,174	4/1994	Stroh .	
D. 351,395	10/1994	Moellering	D15/140
826,130	7/1906	Vold .	
1,322,525	11/1919	Bowers .	
1,569,136	1/1926	Pardee, Jr. .	
1,995,466	3/1935	Bishop .	
2,387,027	10/1945	Jackson .	
2,655,995	10/1953	Whistler .	
2,997,907	8/1961	Constantino .	

3,103,845	9/1963	Porter et al. .	
3,106,122	10/1963	Newcomb .	
3,126,776	3/1964	Whistler, Sr. et al. .	
3,137,193	6/1964	Whistler, Sr. et al. .	
3,496,822	2/1970	Nuckols et al. .	
4,103,574	8/1978	Greer .	
4,339,976	7/1982	Wallis .	
5,038,599	8/1991	Wellman .	
5,284,069	2/1994	Wellman .	
5,357,835	10/1994	Moellering .	

Primary Examiner—Antoine Duval Davis
Attorney, Agent, or Firm—Wood, Herron & Evans L.L.P.

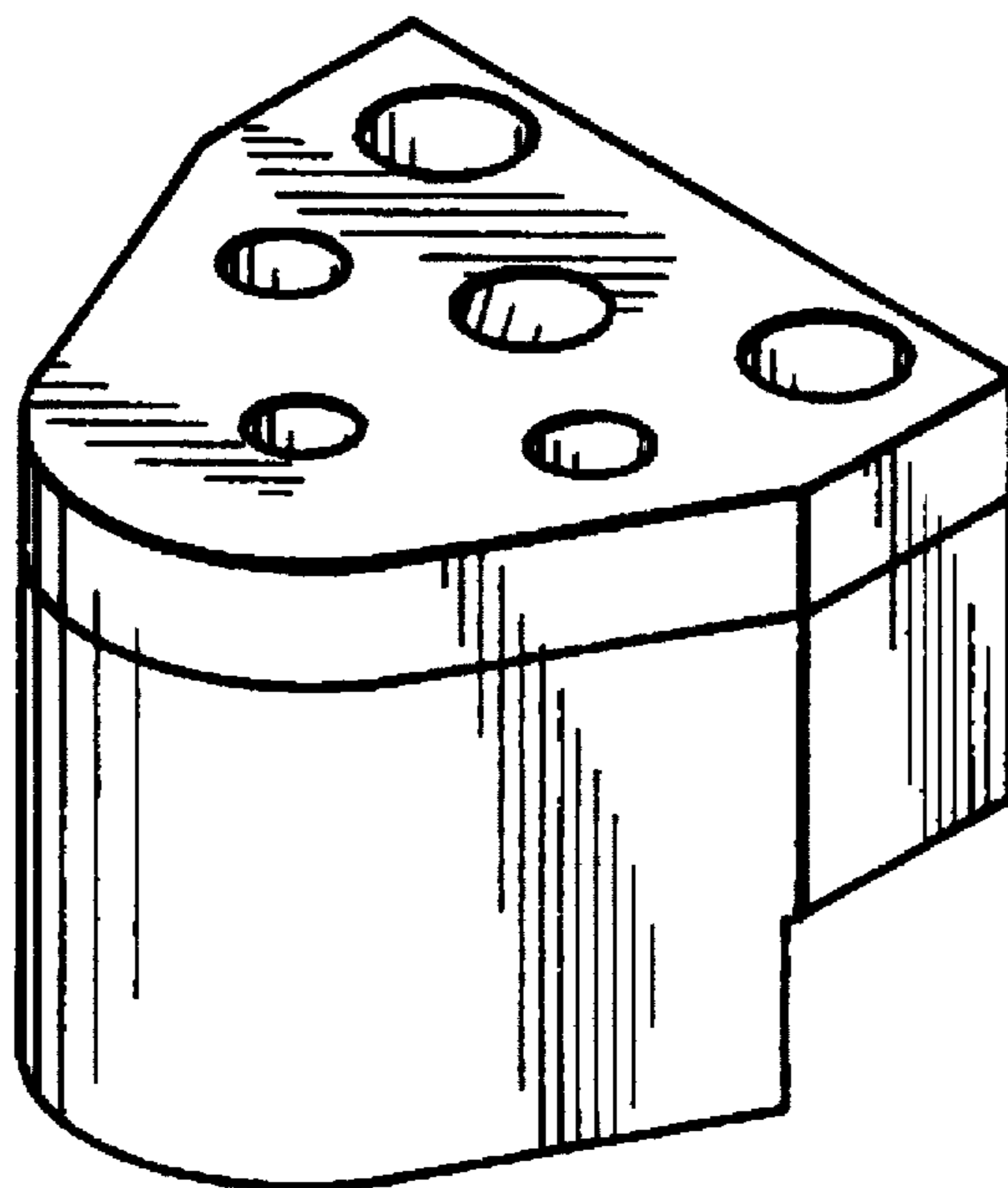
[57] **CLAIM**

The ornamental design for a punch retainer, as shown and described.

DESCRIPTION

FIG. 1 is a top perspective view of a punch retainer showing my new design;
FIG. 2 is a bottom perspective view of the punch retainer;
FIG. 3 is a top view of the punch retainer;
FIG. 4 is a side view of the punch retainer, the other side being a mirror image thereof;
FIG. 5 is a back view of the punch retainer;
FIG. 6 is a front view of the punch retainer; and
FIG. 7 is a bottom view of the punch retainer.

1 Claim, 1 Drawing Sheet



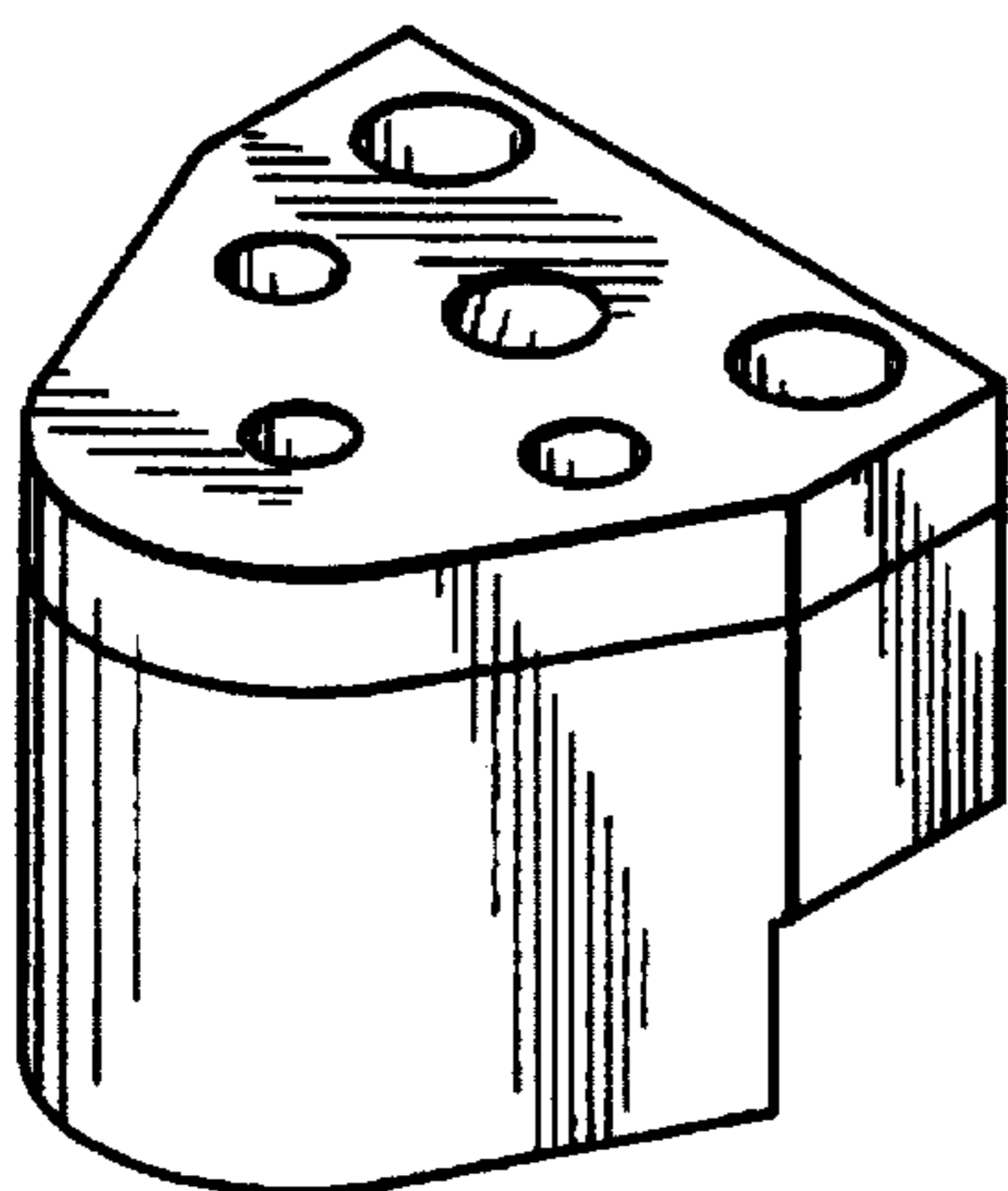


FIG. 1

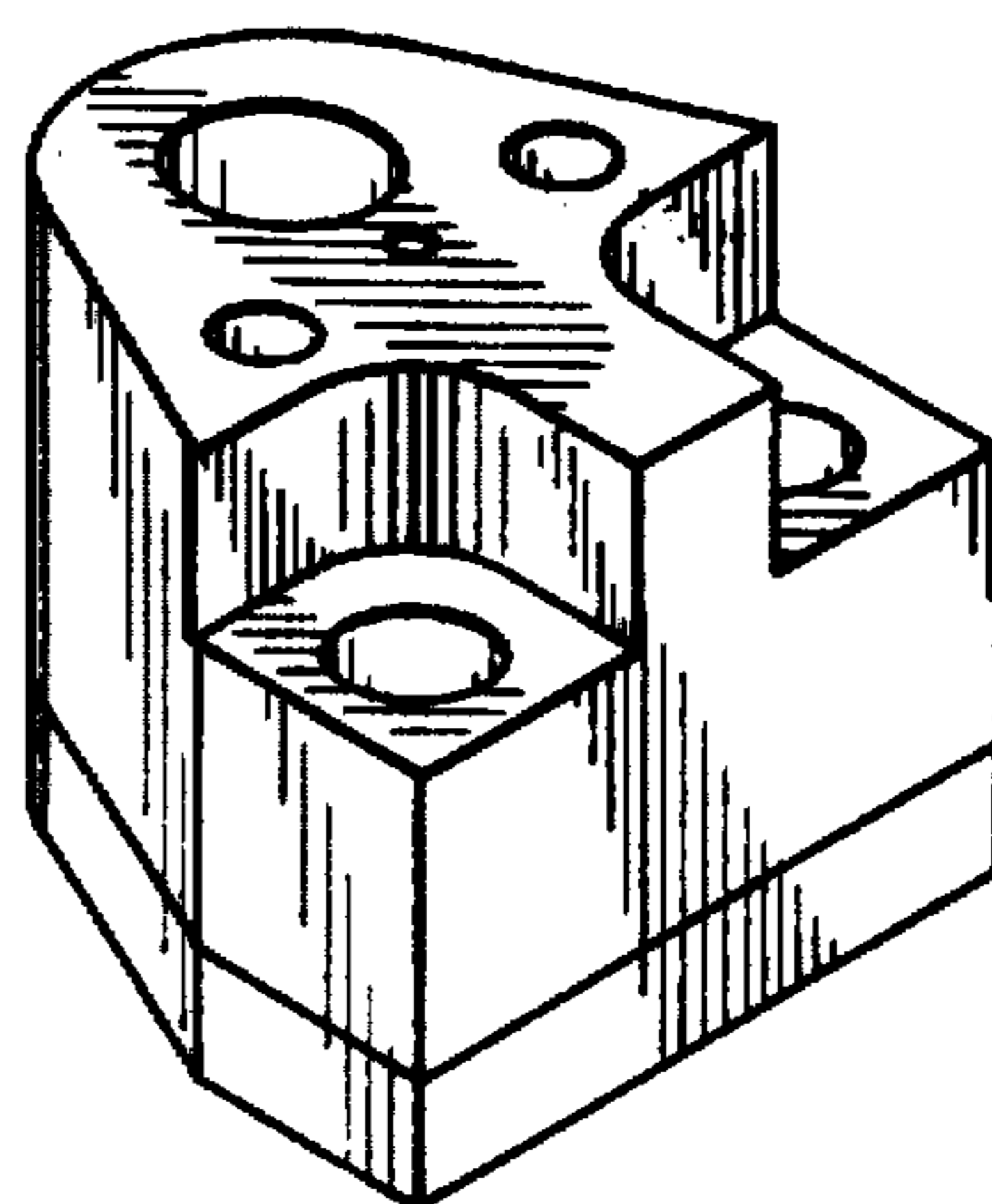


FIG. 2

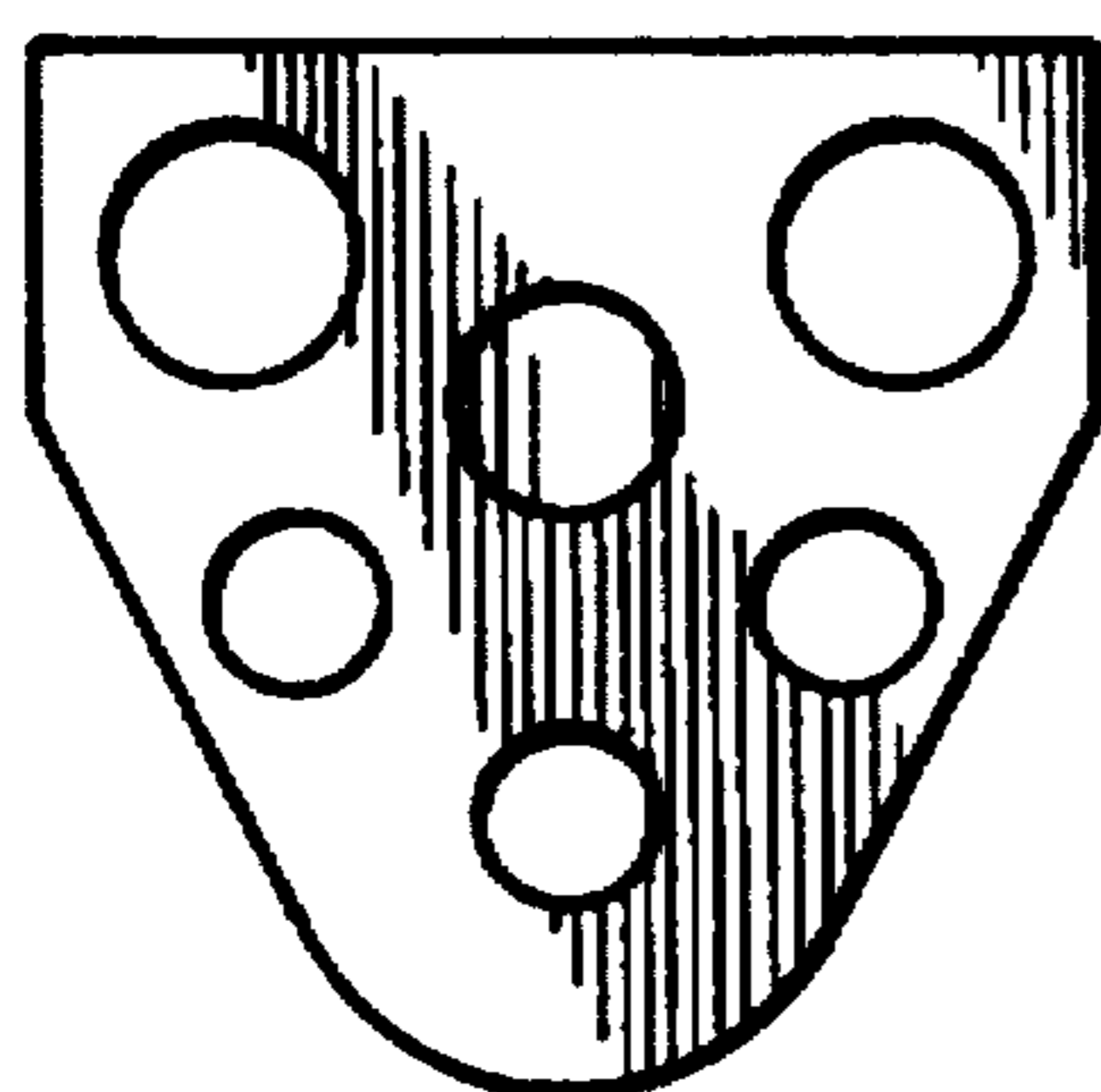


FIG. 3

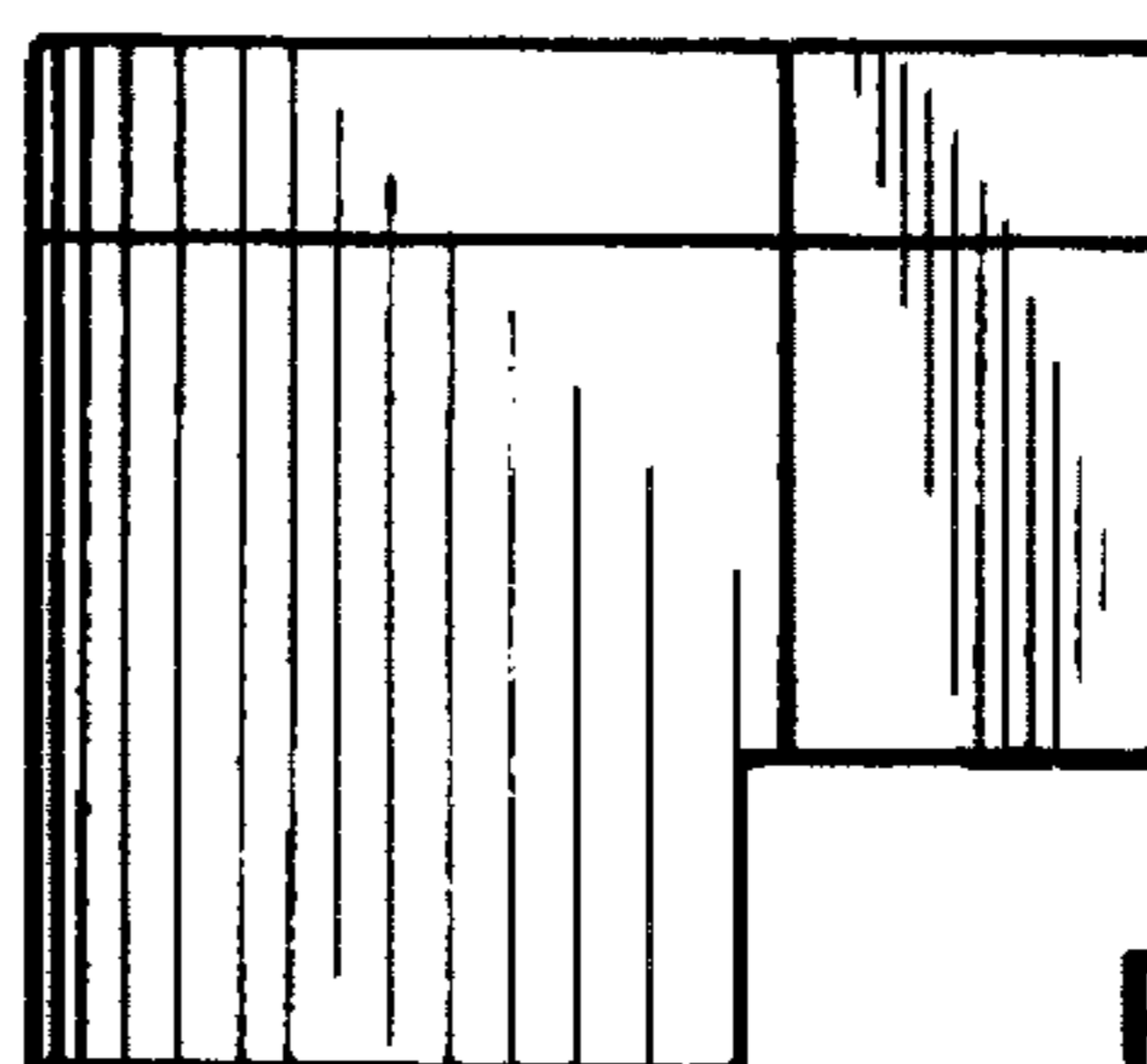


FIG. 4

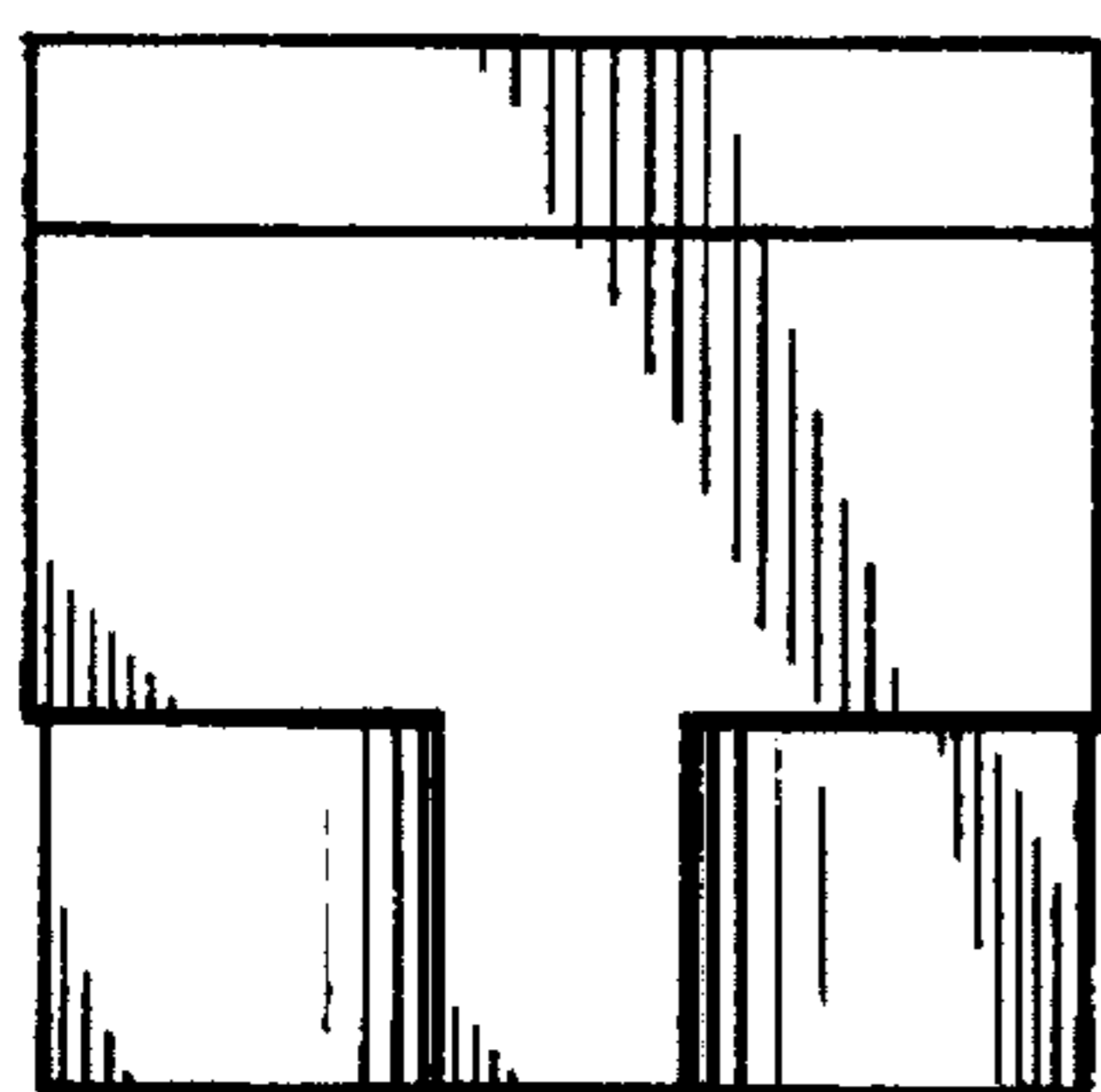


FIG. 5

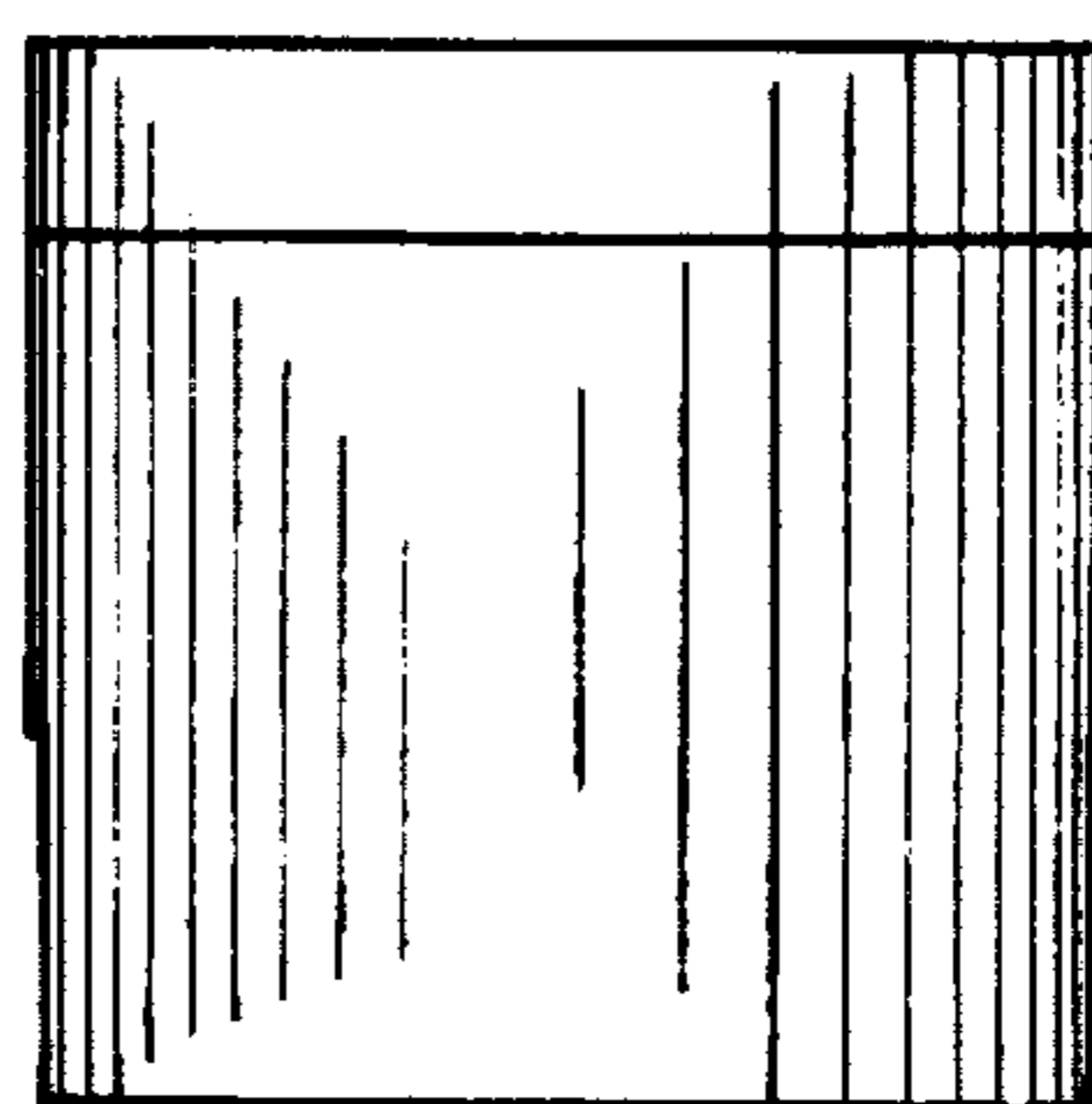


FIG. 6

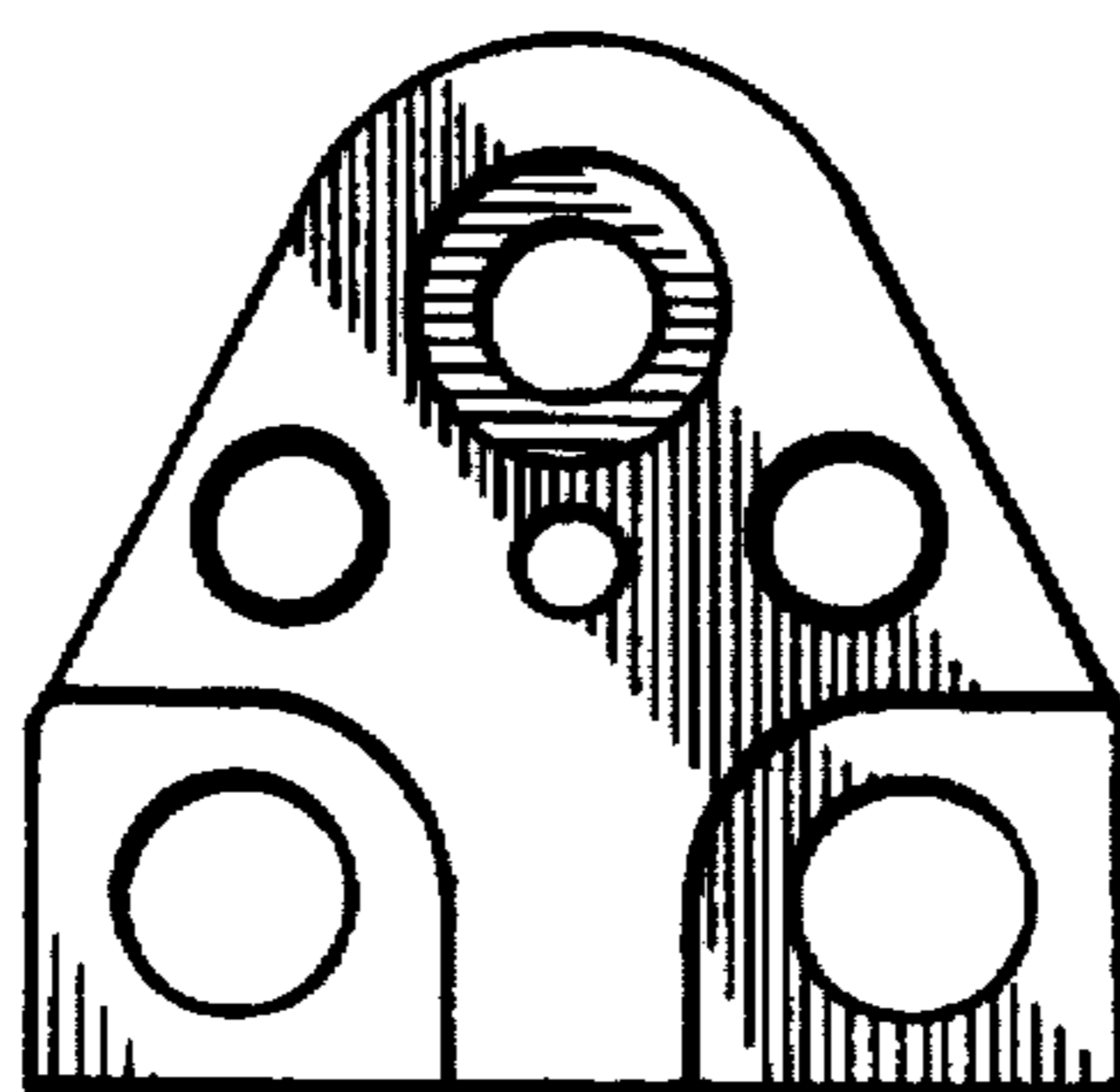


FIG. 7