



US00D388443S

United States Patent [19] Kondo

[11] Patent Number: Des. 388,443

[45] Date of Patent: **Dec. 30, 1997

[54] MITER SAW

[75] Inventor: Takayoshi Kondo, Anjo, Japan

[73] Assignee: Makita Corporation, Anjo, Japan

[**] Term: 14 Years

[21] Appl. No.: 63,899

[22] Filed: Dec. 18, 1996

[30] Foreign Application Priority Data

Jun. 18, 1996 [JP] Japan 8-18214

[51] LOC (6) Cl. 15-09

[52] U.S. Cl. D15/133

[58] Field of Search D15/133; D8/66;
83/468.3, 477.1, 471.2, 471.3, 471.4, 477,
581

[56] References Cited

U.S. PATENT DOCUMENTS

- D. 282,346 1/1986 Pioch D8/66
- D. 331,416 12/1992 Fushiya et al. D15/133
- D. 336,652 6/1993 Arehart D15/133
- D. 338,605 8/1993 Dehari D8/66

- D. 346,173 4/1994 Price D15/133
- D. 351,393 10/1994 Sasaki et al. D15/133
- D. 352,509 11/1994 Kriaski et al. D15/133
- D. 366,491 1/1996 Chang D15/133

FOREIGN PATENT DOCUMENTS

925298 of 1995 Japan .

Primary Examiner—Antoine Duval Davis
Attorney, Agent, or Firm—Lahive & Cockfield LLP

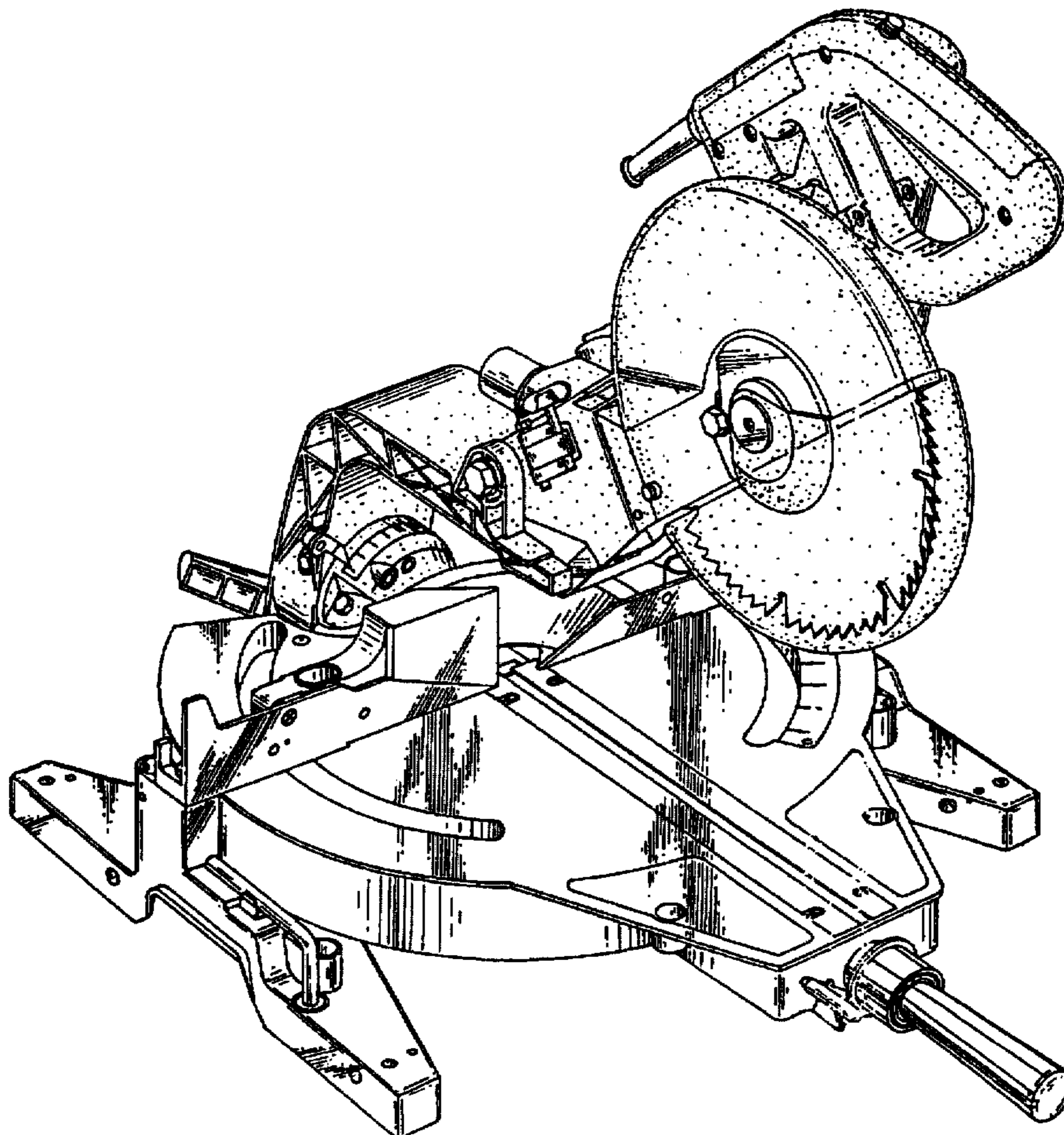
[57] CLAIM

The ornamental design for a miter saw, as shown and described.

DESCRIPTION

FIG. 1 is a perspective view of a miter saw showing my new design;
 FIG. 2 is a left side elevational view thereof;
 FIG. 3 is a right side elevational view thereof;
 FIG. 4 is a front elevational view thereof;
 FIG. 5 is a rear side elevational view thereof;
 FIG. 6 is a top plan view thereof; and,
 FIG. 7 is a bottom plan view thereof.

1 Claim, 7 Drawing Sheets



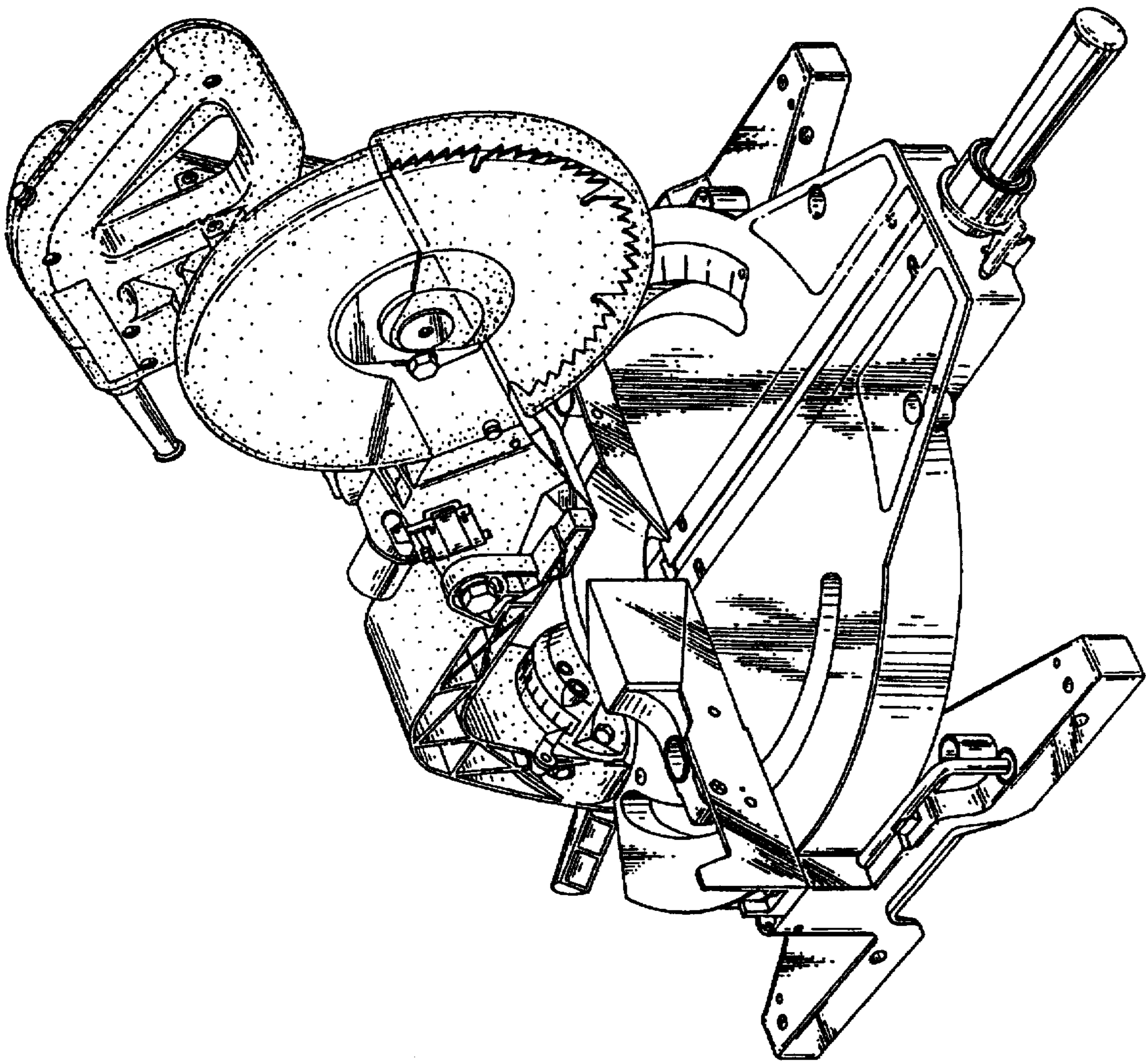


Fig 1

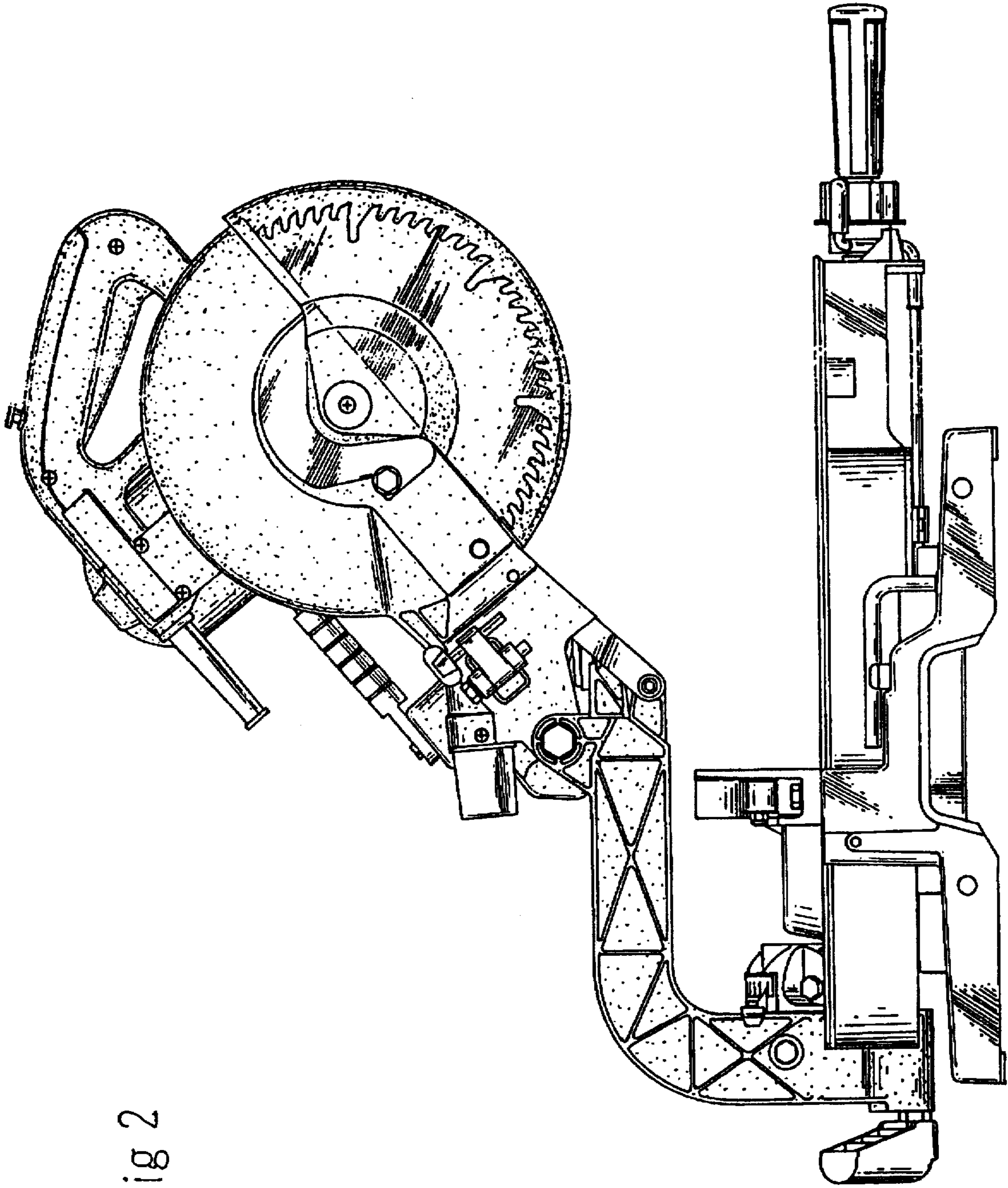


Fig 2

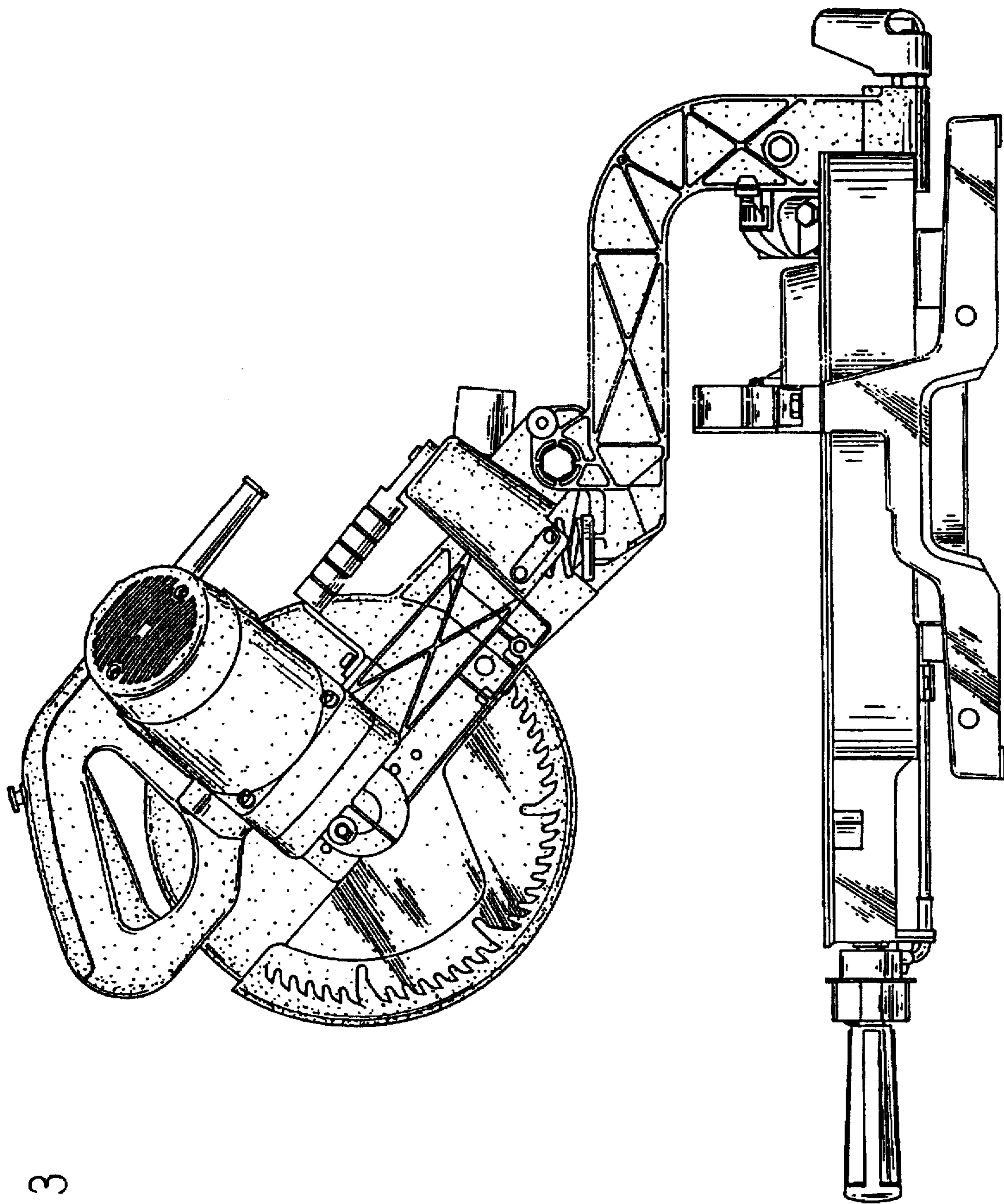


Fig 3

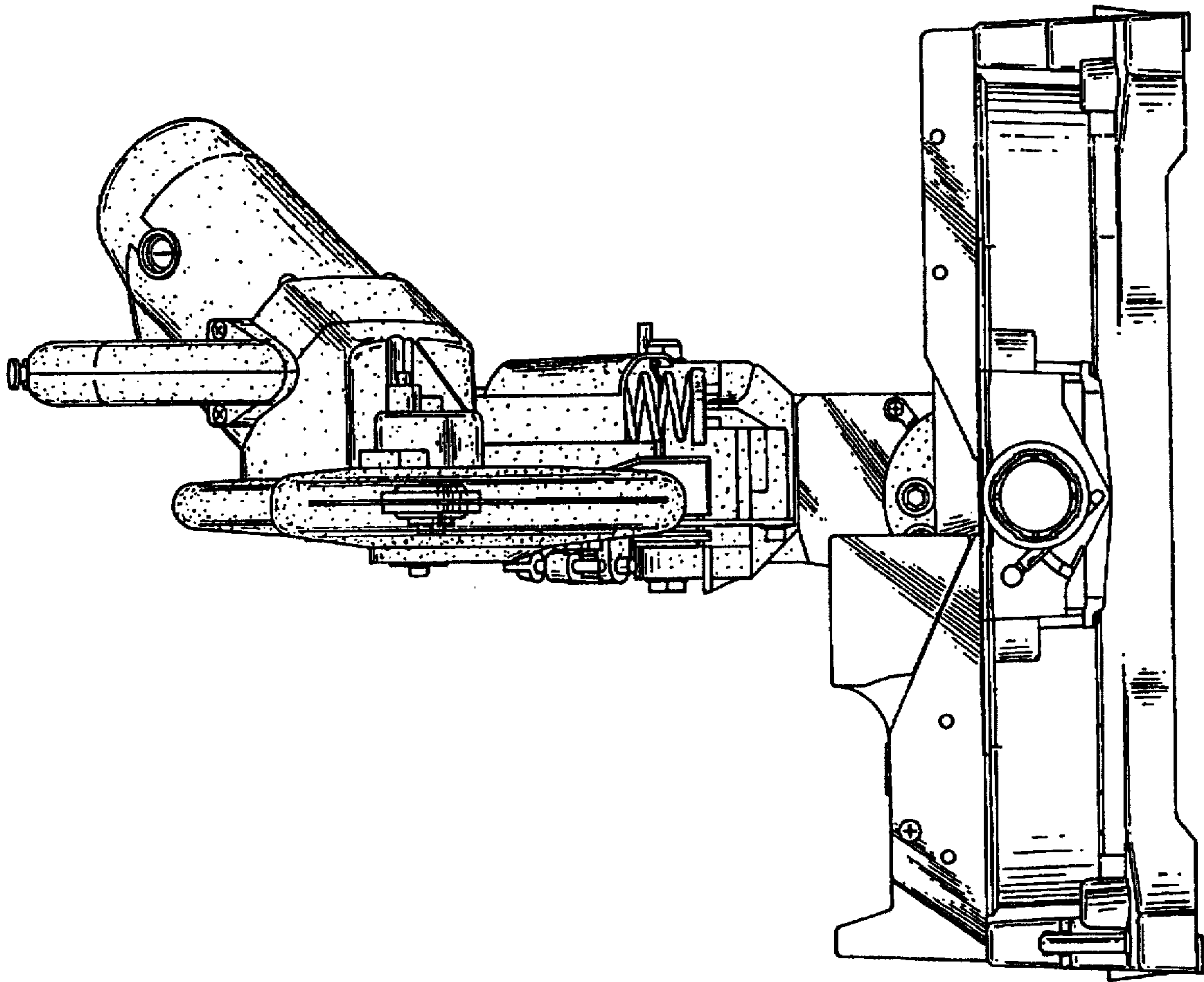


Fig 4

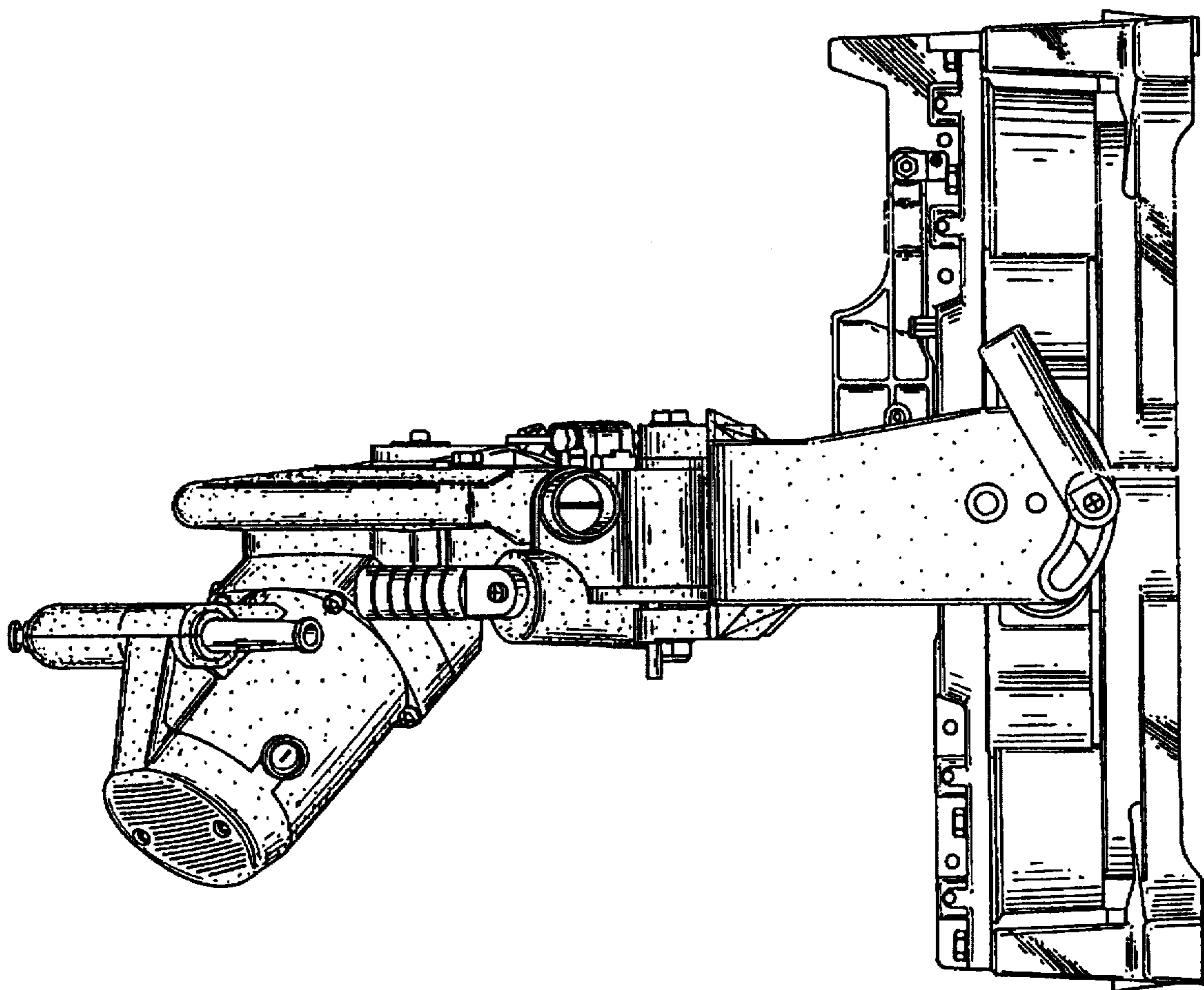


Fig 5

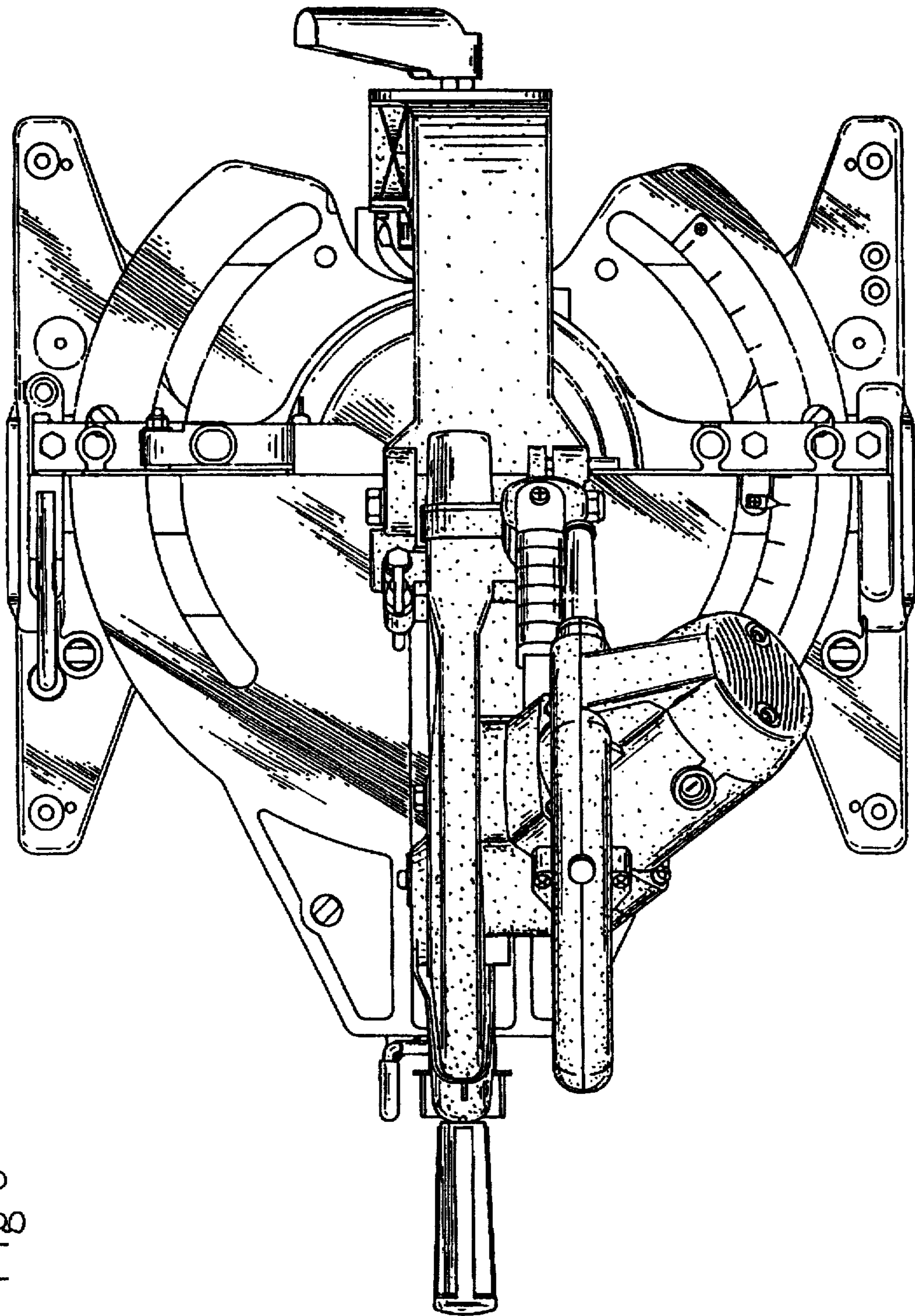


Fig 6

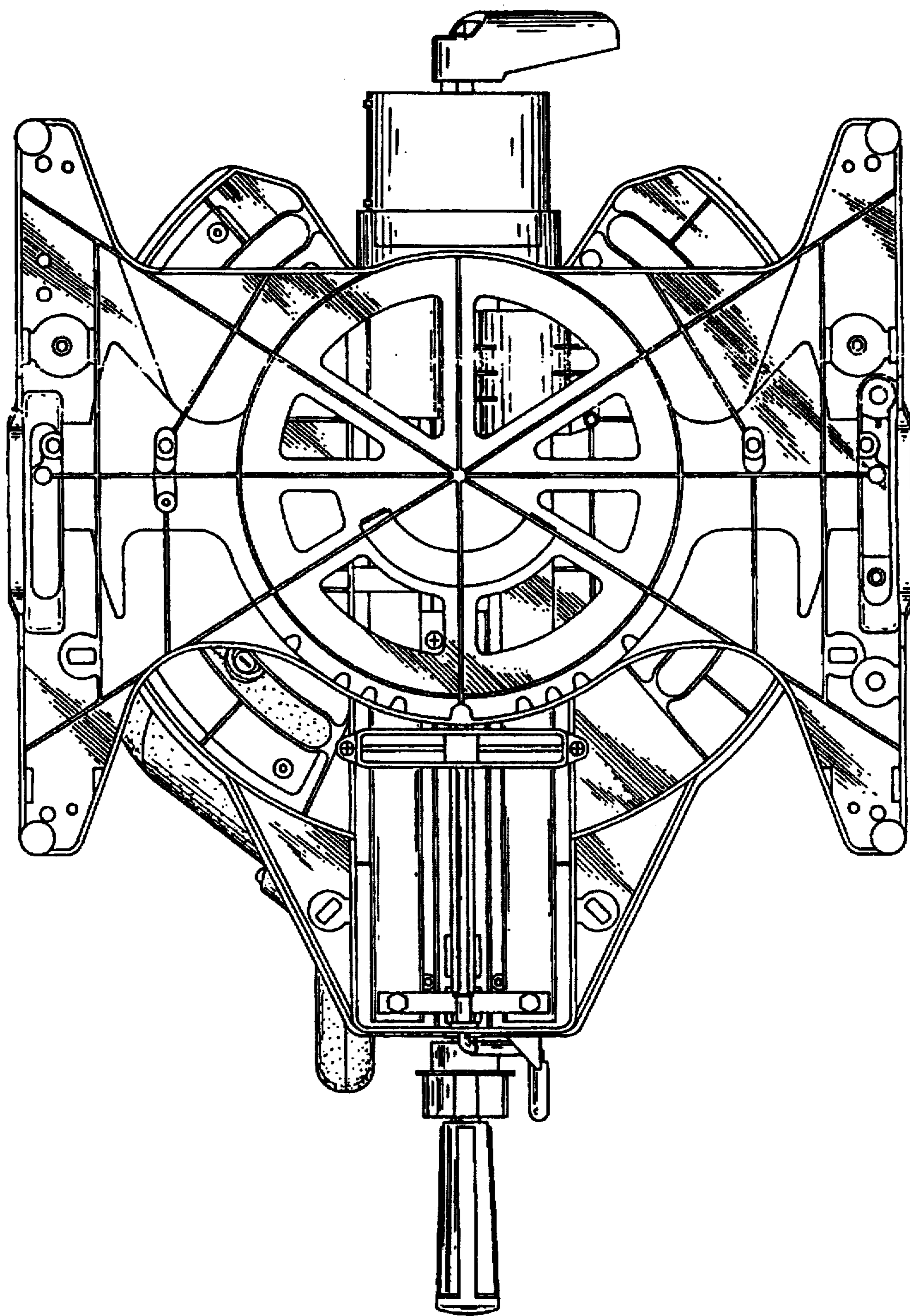


Fig 7