



US00D388442S

# United States Patent [19]

Shibata et al.

[11] Patent Number: **Des. 388,442**

[45] Date of Patent: **\*\*Dec. 30, 1997**

[54] MITER SAW

[75] Inventors: **Yoshinori Shibata; Naohiro Hayakawa**, both of Anjo, Japan

[73] Assignee: **Makita Corporation**, Anjo, Japan

[\*\*] Term: **14 Years**

[21] Appl. No.: **63,849**

[22] Filed: **Dec. 17, 1996**

### [30] Foreign Application Priority Data

Jun. 17, 1996 [JP] Japan ..... 8-18064

[51] LOC (6) Cl. .... **15-09**

[52] U.S. Cl. .... **D15/133**

[58] Field of Search ..... D15/133; 83/468.2, 83/468.3, 471.1, 471.2, 471.3, 471.4, 477.1, 581

### [56] References Cited

#### U.S. PATENT DOCUMENTS

- D. 282,346 1/1986 Pioch ..... D8/66
- D. 331,416 12/1992 Fushiya ..... D15/133

- D. 336,652 6/1993 Arehart ..... D15/133
- D. 338,605 8/1993 Dehari ..... D8/66
- D. 346,173 4/1994 Price ..... D15/133
- D. 352,509 11/1994 Kriaski et al. .... D15/133
- D. 366,491 1/1996 Chang ..... D15/133

#### FOREIGN PATENT DOCUMENTS

925298 6/1995 Japan .

*Primary Examiner*—Antoine Duval Davis  
*Attorney, Agent, or Firm*—Lahive & Cockfield, LLP

### [57] CLAIM

The ornamental design for a miter saw, as shown and described.

### DESCRIPTION

FIG. 1 is a perspective view of a miter saw showing our new design;  
 FIG. 2 is a left side elevational view thereof;  
 FIG. 3 is a right side elevational view thereof;  
 FIG. 4 is a front elevational view thereof;  
 FIG. 5 is a rear side elevational view thereof;  
 FIG. 6 is a top plan view thereof; and,  
 FIG. 7 is a bottom plan view thereof.

**1 Claim, 7 Drawing Sheets**

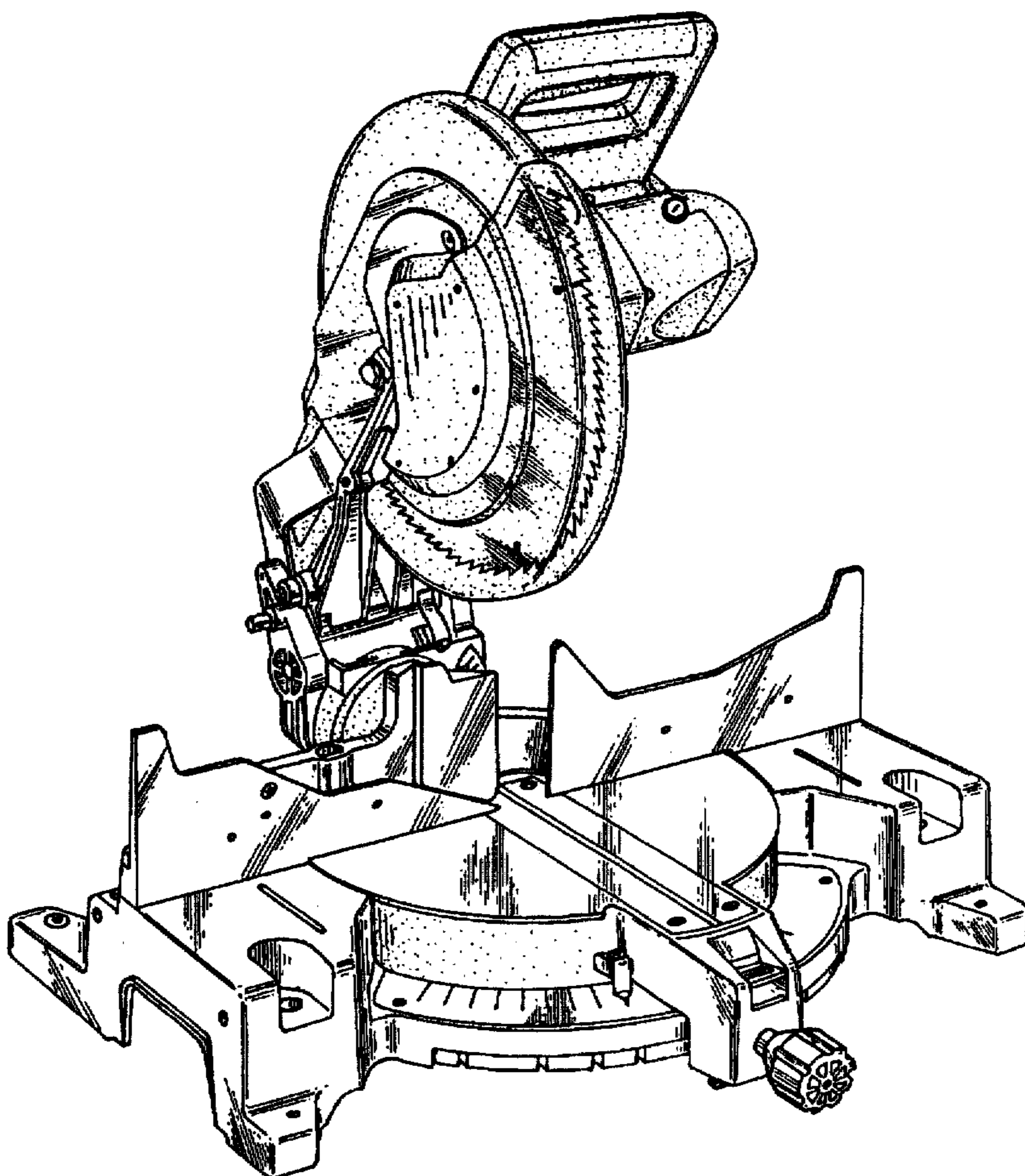
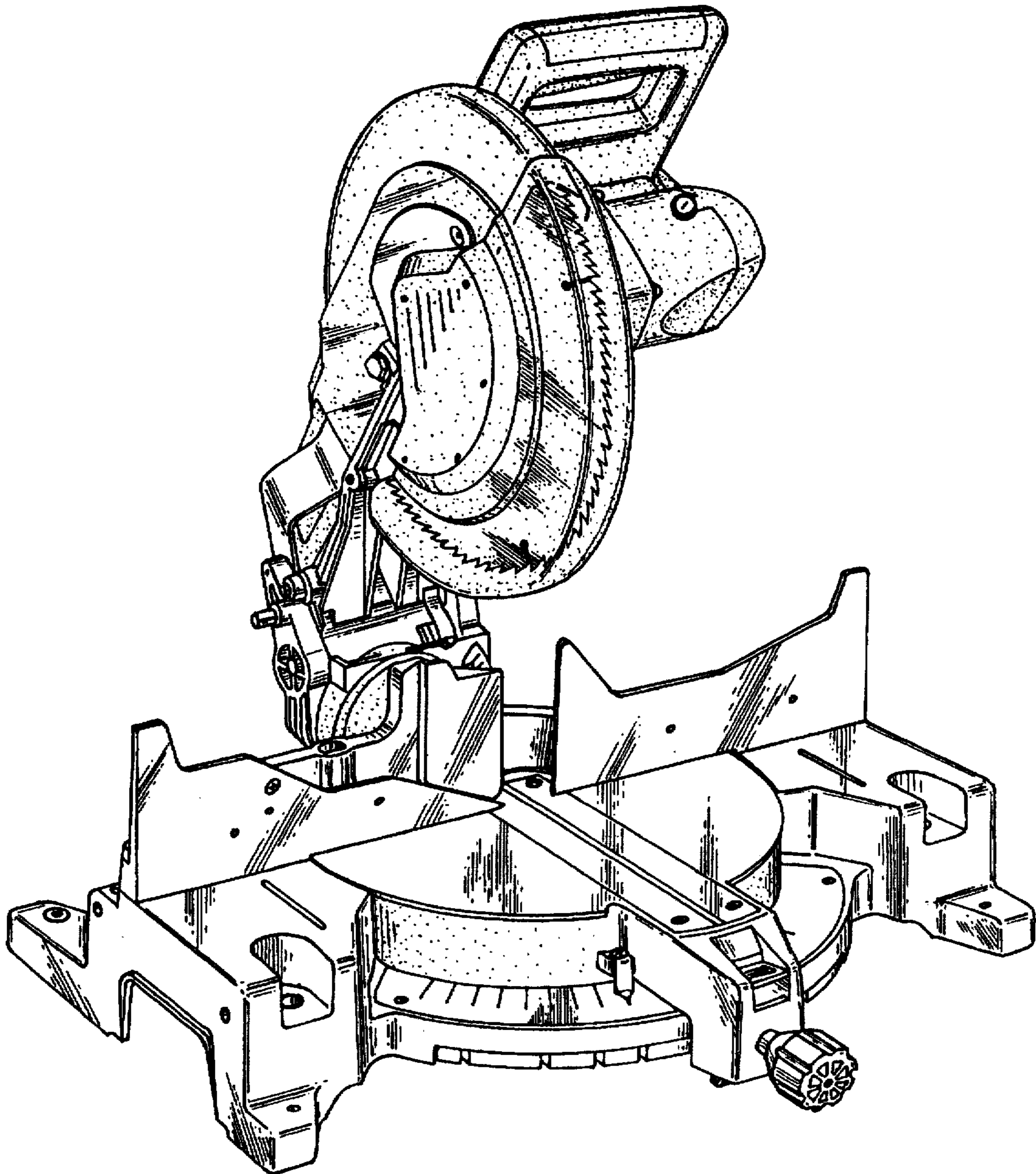


Fig 1



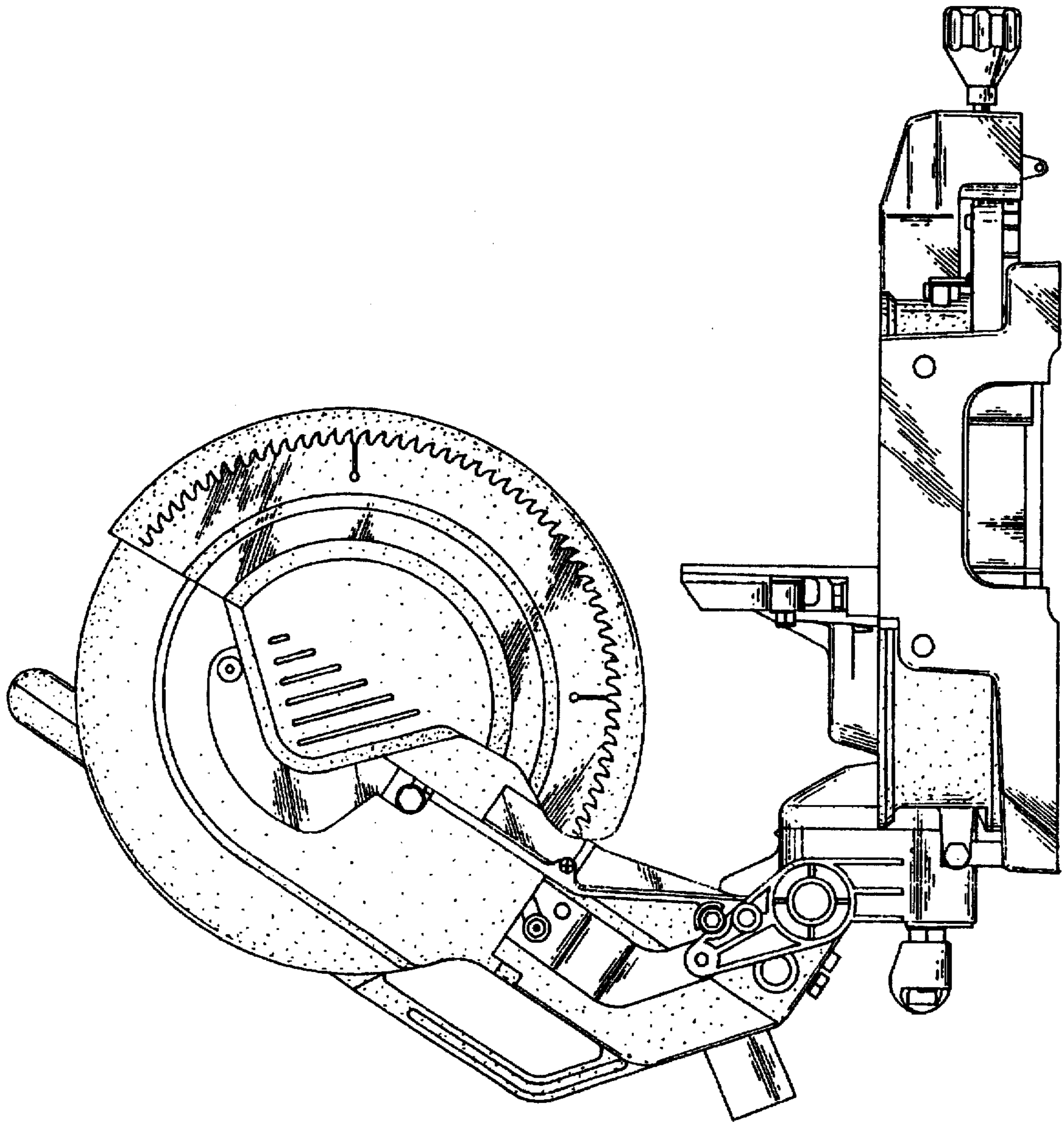


Fig 2

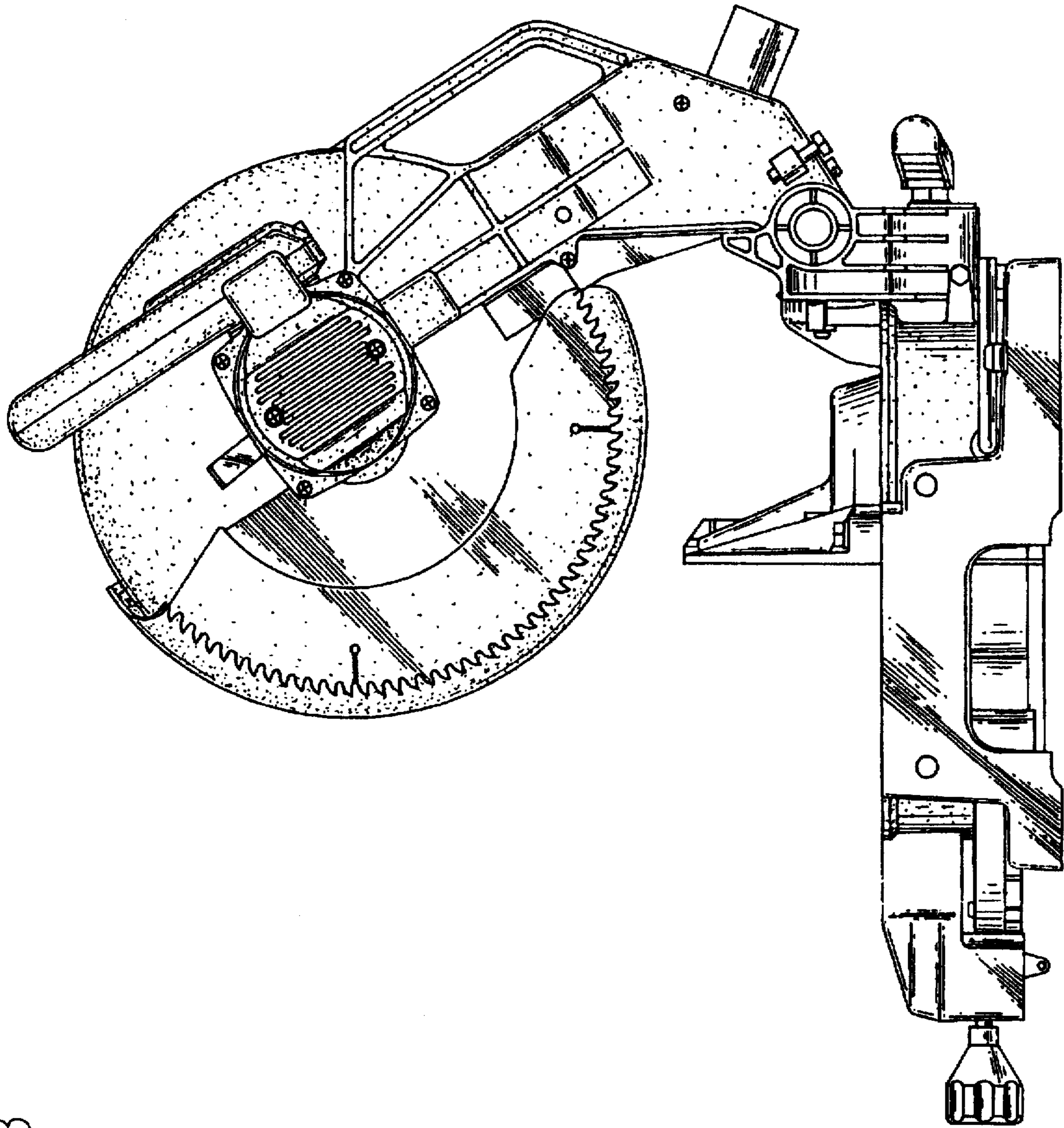


Fig 3

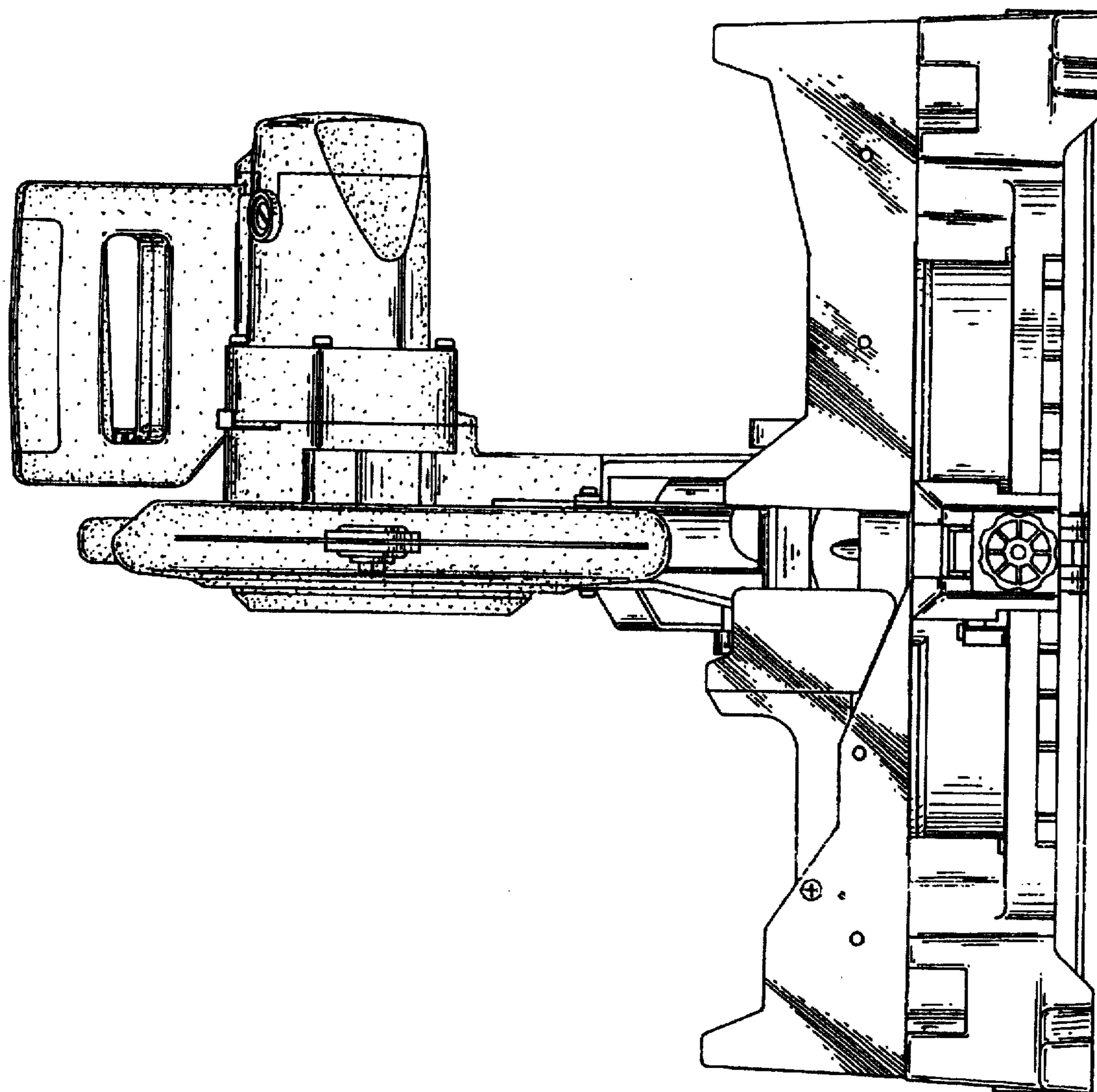


Fig 4

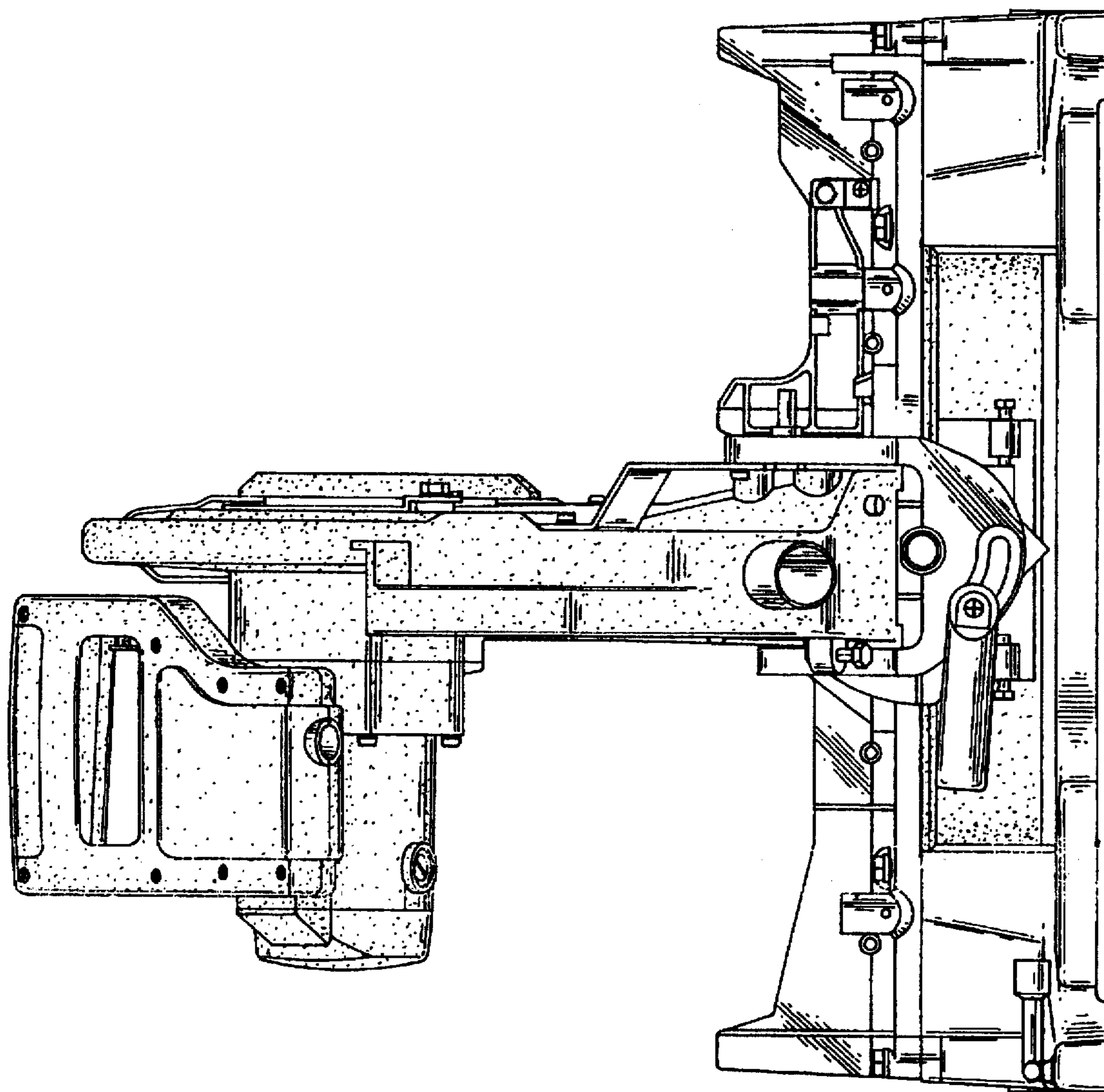


Fig 5

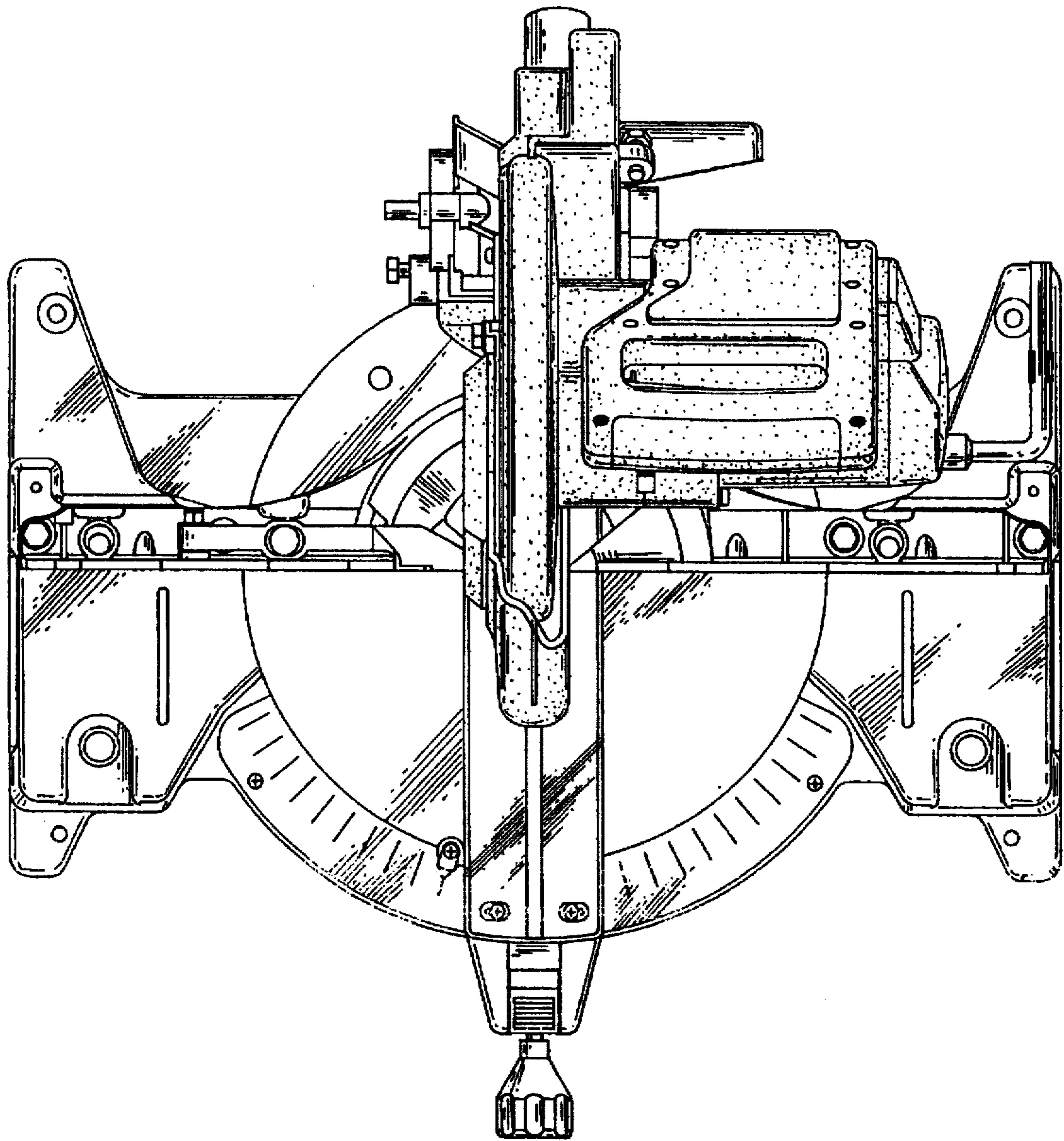


Fig 6

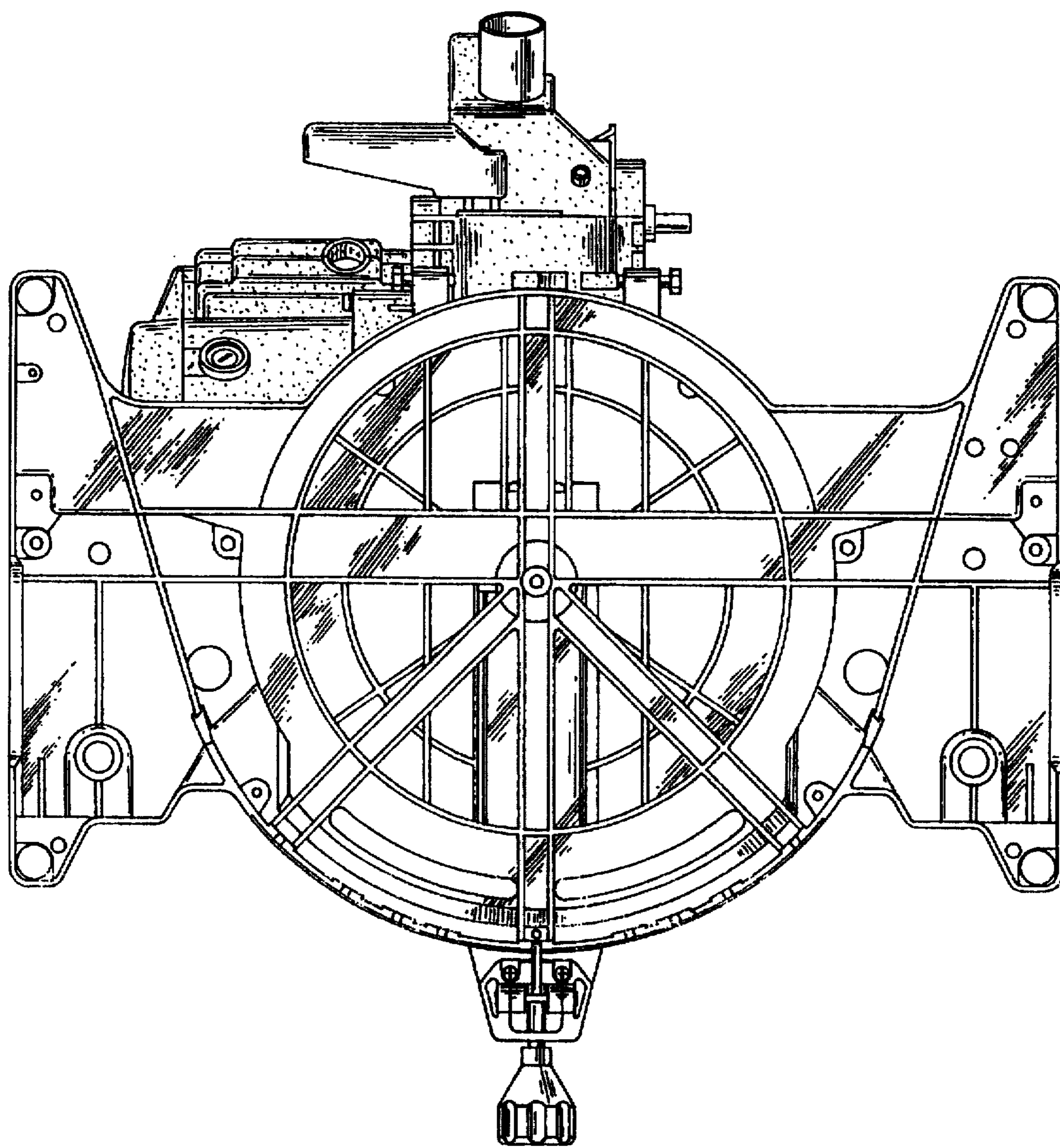


Fig 7