



US00D388440S

**United States Patent** [19]  
**Bentley**

[11] **Patent Number: Des. 388,440**  
[45] **Date of Patent: \*\*Dec. 30, 1997**

[54] **SELF-LOADING MATERIAL SPREADER**

[76] **Inventor: John A. Bentley, 308 Ashford Dr., Lancaster, Pa. 17601**

[\*\*] **Term: 14 Years**

[21] **Appl. No.: 59,300**

[22] **Filed: Sep. 6, 1996**

[51] **LOC (6) Cl. .... 15-03**

[52] **U.S. Cl. .... D15/13; D15/27**

[58] **Field of Search .... D15/10, 13, 27, D15/28; 239/661, 681, 683, 684**

[56] **References Cited**

**U.S. PATENT DOCUMENTS**

D. 198,327	6/1964	Tyler	.....	D15/13
D. 221,991	9/1971	Jensen	.....	D15/27
D. 228,011	7/1973	White et al.	.....	D15/27
D. 378,294	3/1997	Barnes et al.	.....	D15/27

**OTHER PUBLICATIONS**

Progressive Farmer Mar. 1993 p. 63 Krone Baler, bottom.

*Primary Examiner*—Sandra L. Morris

[57] **CLAIM**

The ornamental design for a self-loading material spreader, as shown and described.

**DESCRIPTION**

FIG. 1 is a front elevational view of the self-loading material spreader showing my new design, the jack stand being lowered to a position to support the frame of the material spreader on the ground for a subsequent connection of the three-point hitch mounting apparatus thereof to a prime mover, the hopper being positioned in the upright spreading position;

FIG. 2 is a rear elevational view thereof;

FIG. 3 is a left side elevational view thereof;

FIG. 4 is a right side elevational view thereof;

FIG. 5 is a rear elevational view of the self-loading material spreader corresponding to the view of FIG. 2, but with the hopper being pivotally lowered to a loading position through a manipulation of the hydraulic cylinders interconnecting the hopper and the frame of the material spreader, the jack stand being raised for operation of material spreader while being mounted to the three-point hitch mechanism of a prime mover; and,

FIG. 6 is a left side elevational view of the self-loading material spreader depicted in FIG. 5 with the hopper being pivotally lowered to the loading position and the material spreader being oriented as though being mounted to a prime mover for operation thereof.

**1 Claim, 6 Drawing Sheets**

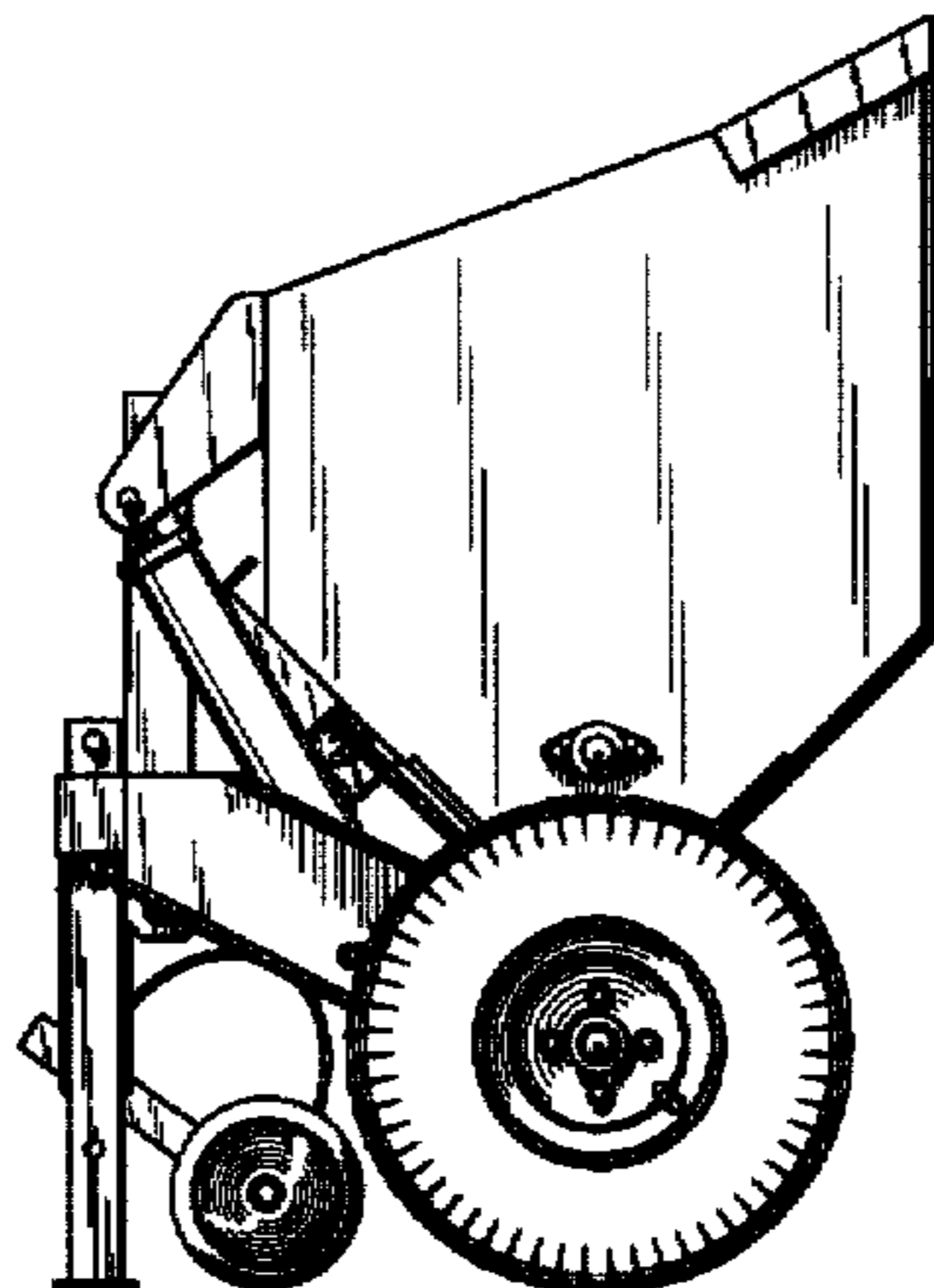
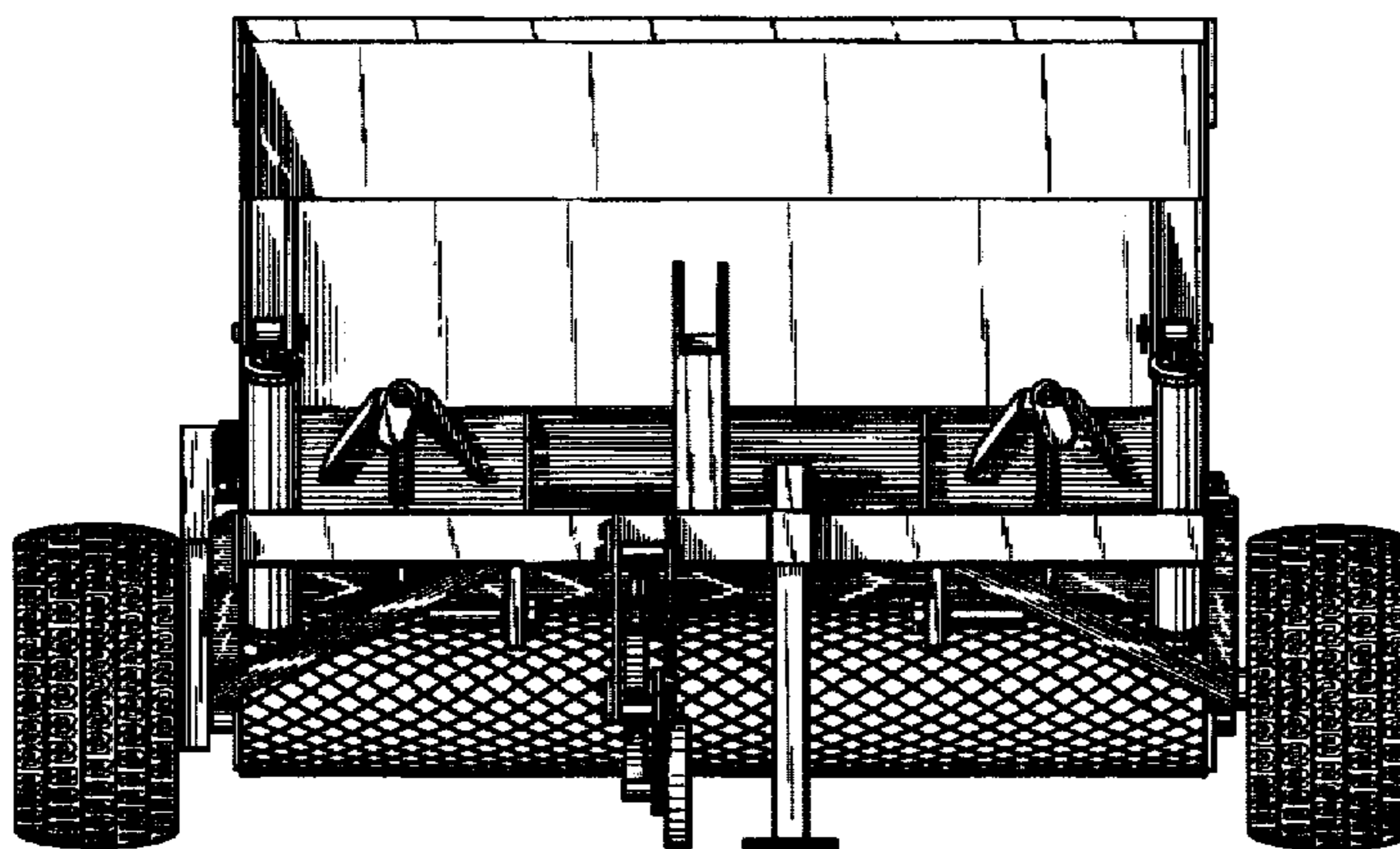


FIG. 1

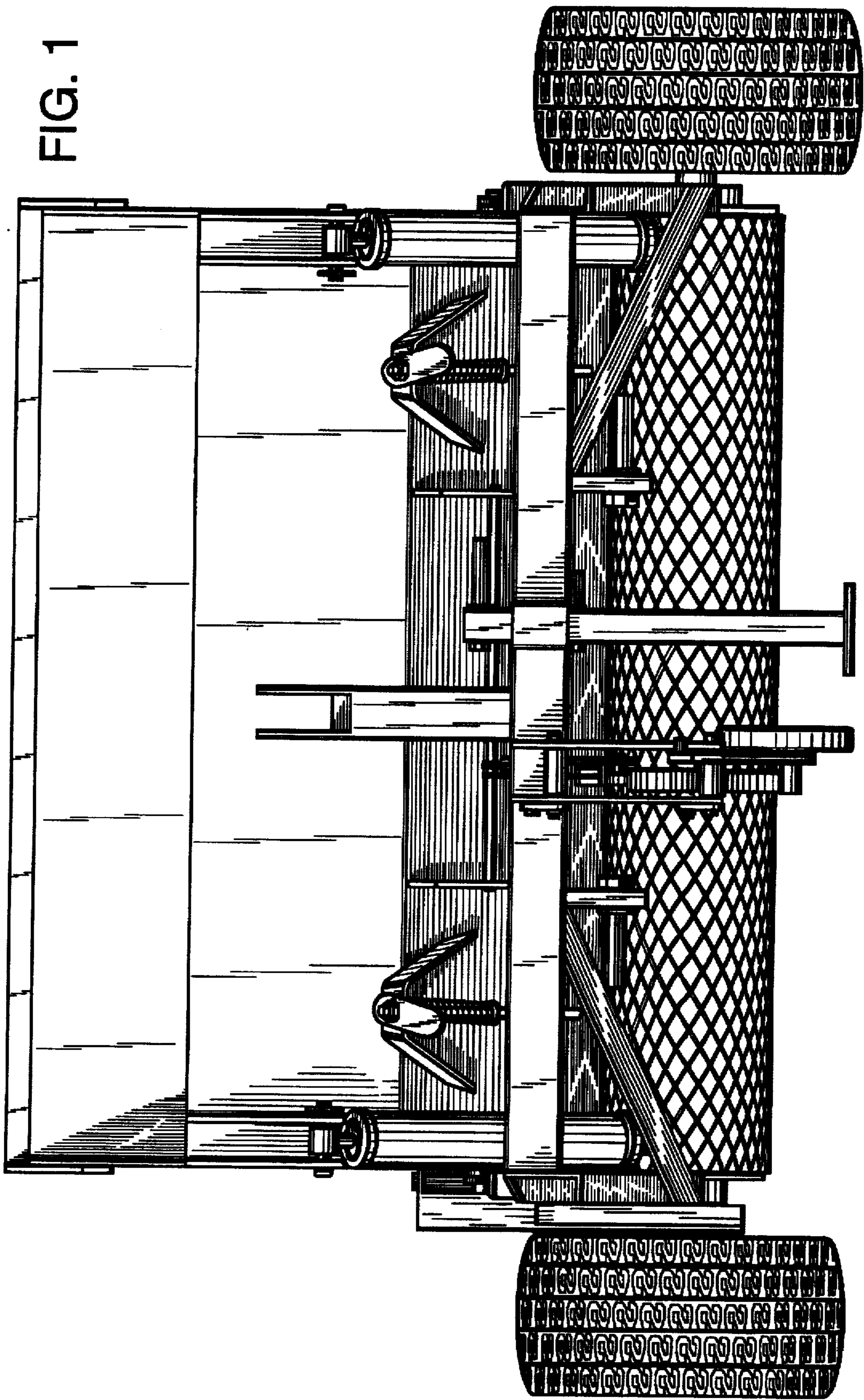


Fig. 2

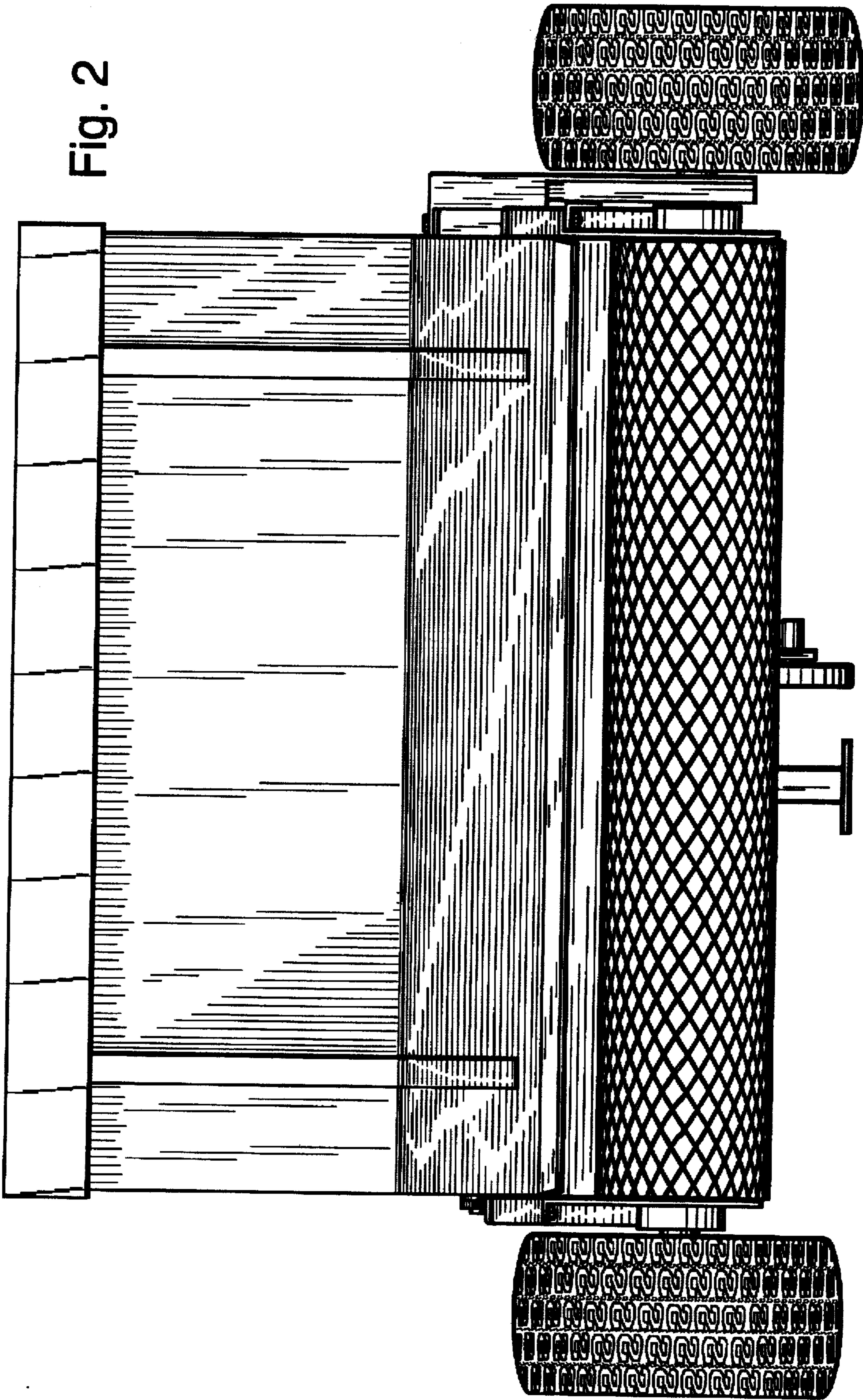


Fig. 3

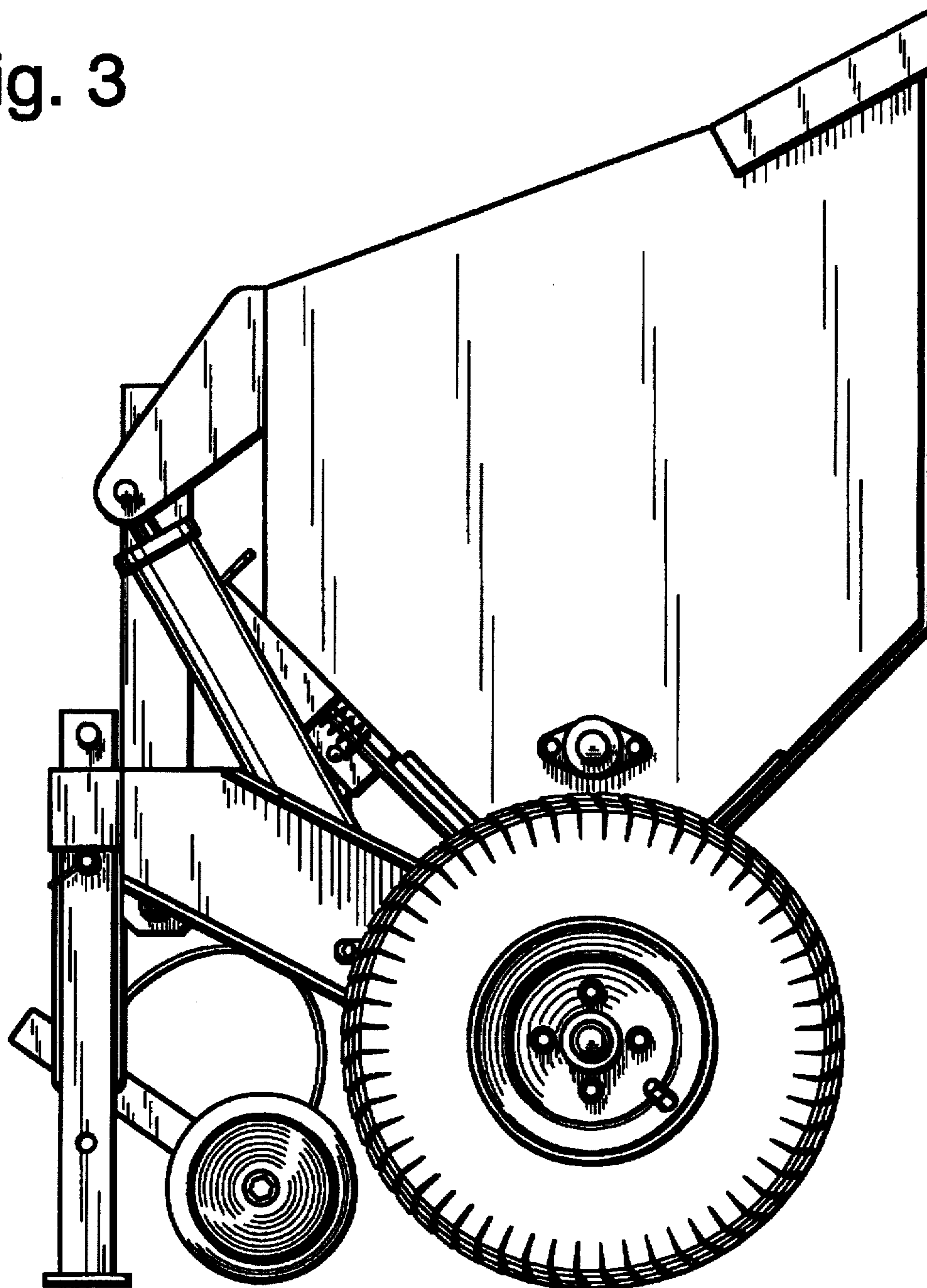


Fig. 4

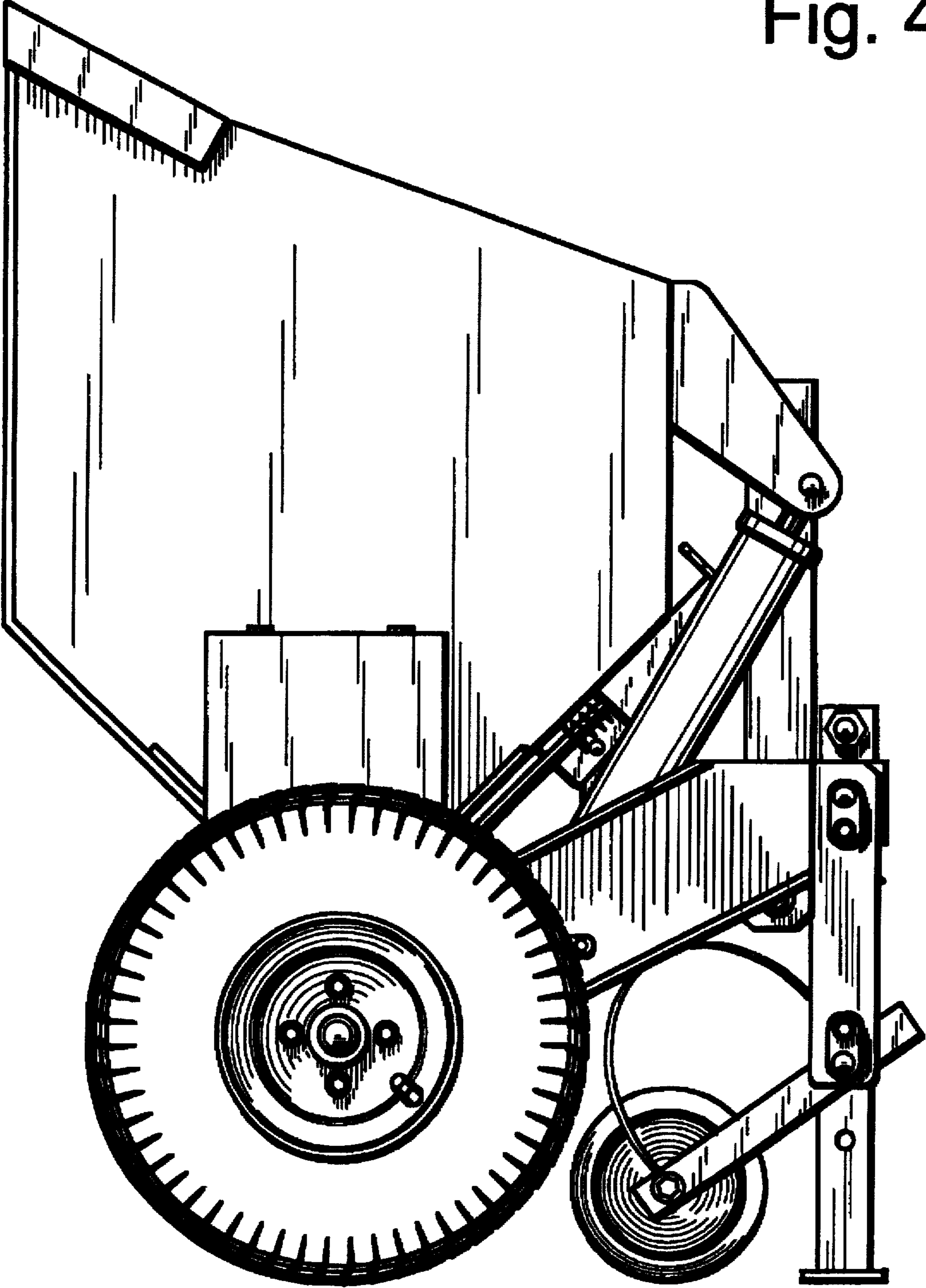


Fig. 5

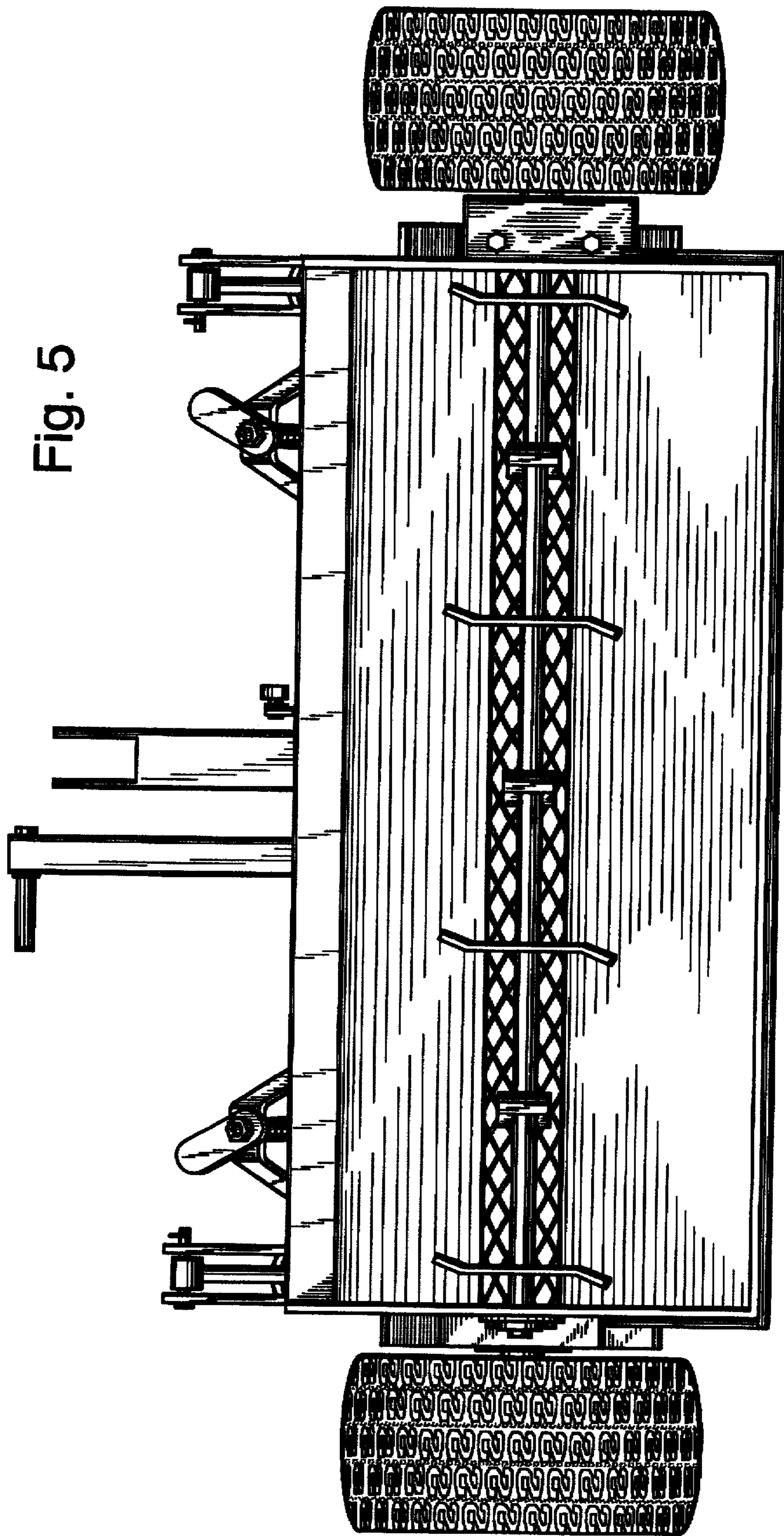


Fig. 6

