

US00D388436S

United States Patent [19]

[11] Patent Number: Des. 388,436

Segan et al.

[45] Date of Patent: **Dec. 30, 1997

[54] STEREO HEADPHONE

D. 355,913 2/1995 Chong D14/205 X
D. 358,390 5/1995 Hayashi D14/205

[75] Inventors: Marc H. Segan, New York; Gary Strauss, Mamaroneck, both of N.Y.; Gerald W. Cummings, Marlton, N.J.

Primary Examiner—Sandra L. Morris
Assistant Examiner—Nanda Bondade
Attorney, Agent, or Firm—Cohen, Pontani, Lieberman & Pavane

[73] Assignee: Long Hall Technologies, L.L.C., New York, N.Y.

[**] Term: 14 Years

[57] CLAIM

The ornamental design for a stereo headphone, as shown and described.

[21] Appl. No.: 57,456

DESCRIPTION

[22] Filed: Jul. 25, 1996

[51] LOC (6) Cl. 14-01

[52] U.S. Cl. D14/205

[58] Field of Search D14/192, 205, D14/206, 223, 224; 181/129, 130; 379/430, 431, 444; 381/25, 68, 158, 183, 187

FIG. 1 is a front elevational view of a stereo headphone showing our new design;
FIG. 2 is a top plan view thereof;
FIG. 3 is a right-side elevational view thereof;
FIG. 4 is a left-side elevational view thereof;
FIG. 5 is a rear elevational view thereof; and,
FIG. 6 is a bottom plan view thereof.

[56] References Cited

U.S. PATENT DOCUMENTS

D. 351,387 10/1994 Roberts D14/205

1 Claim, 4 Drawing Sheets

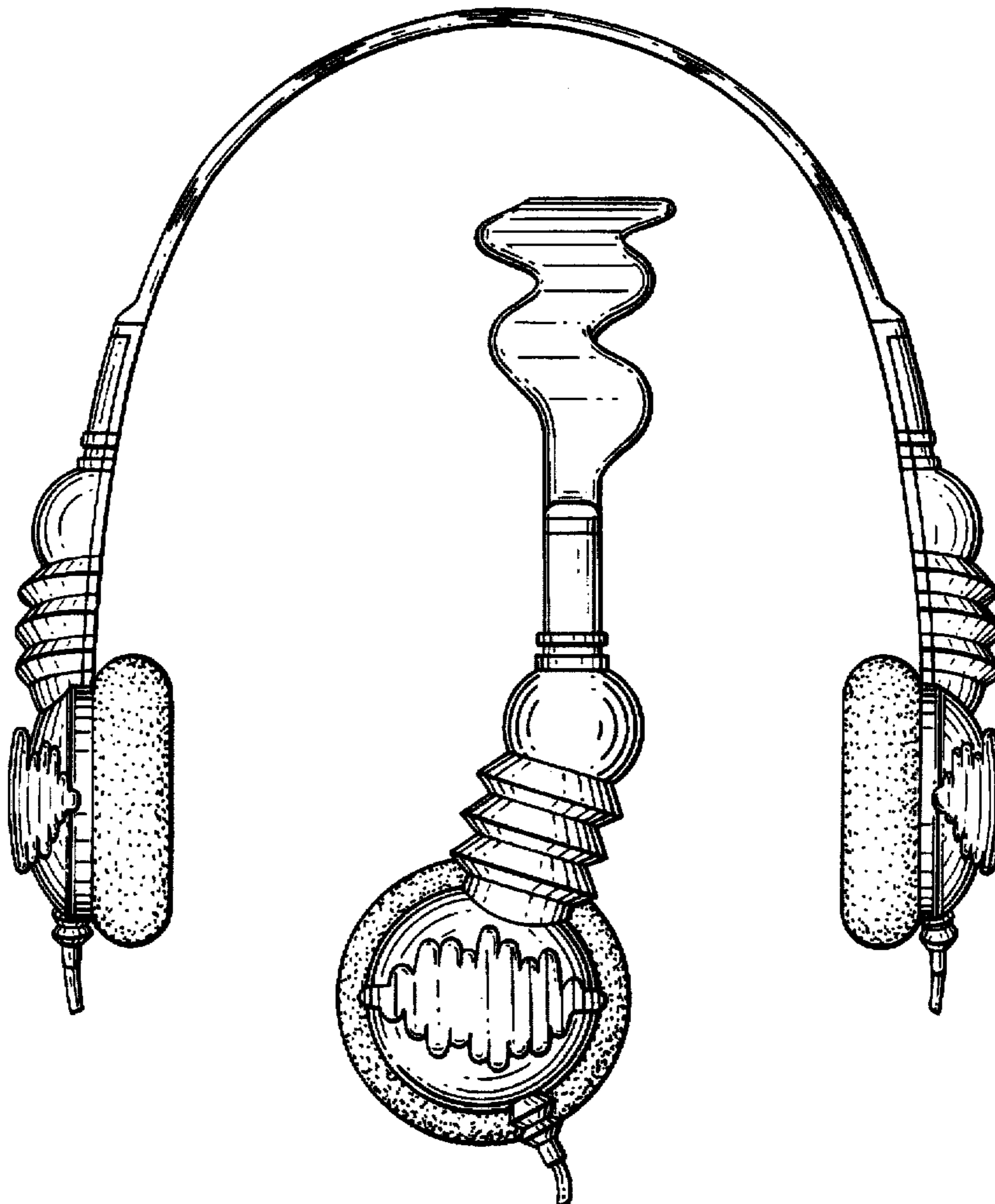


FIG. 1



FIG. 2

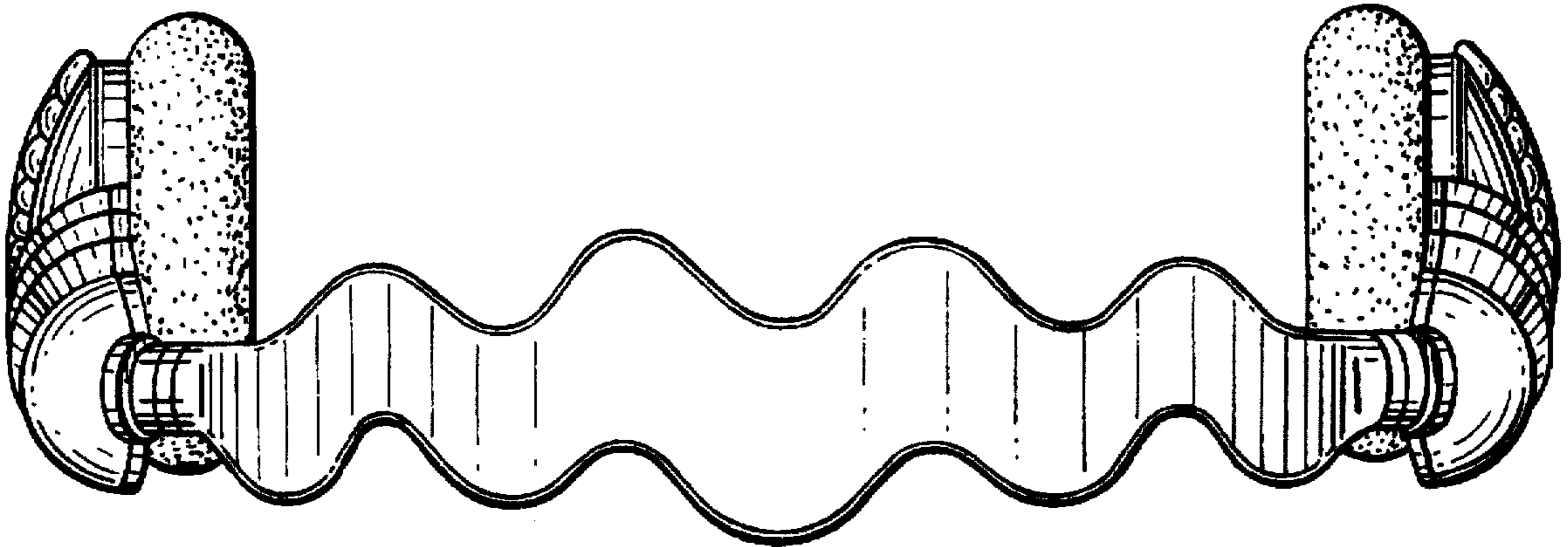


FIG. 3

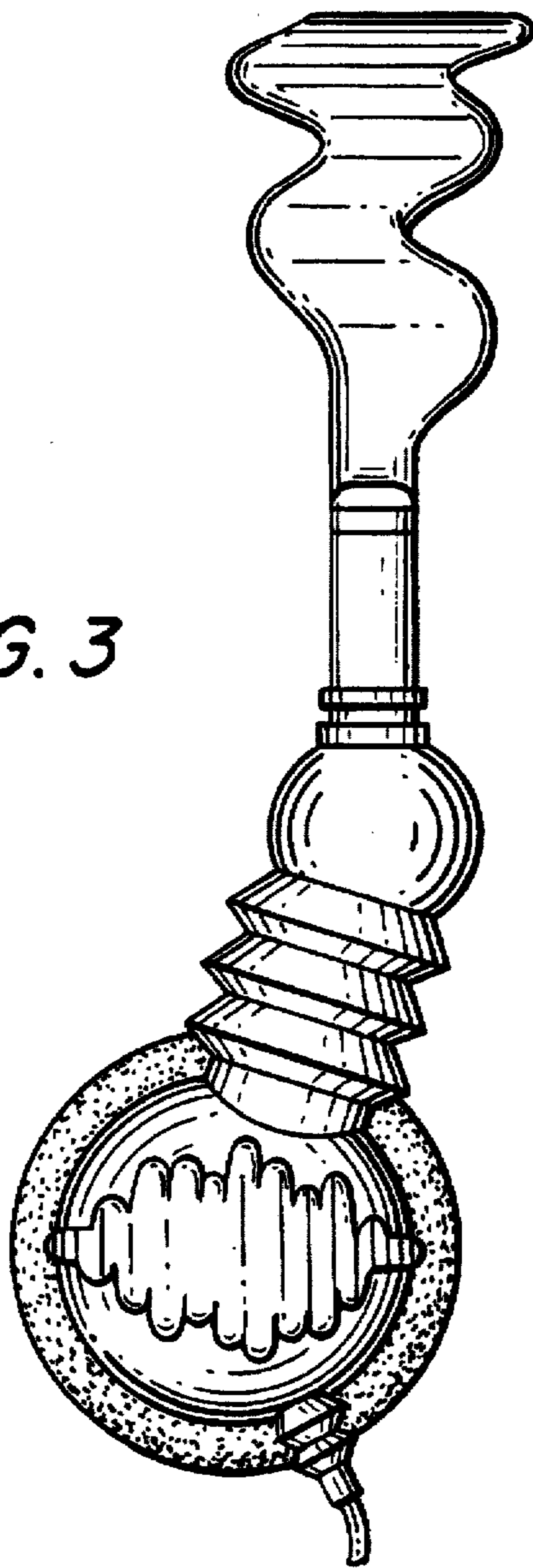


FIG. 4

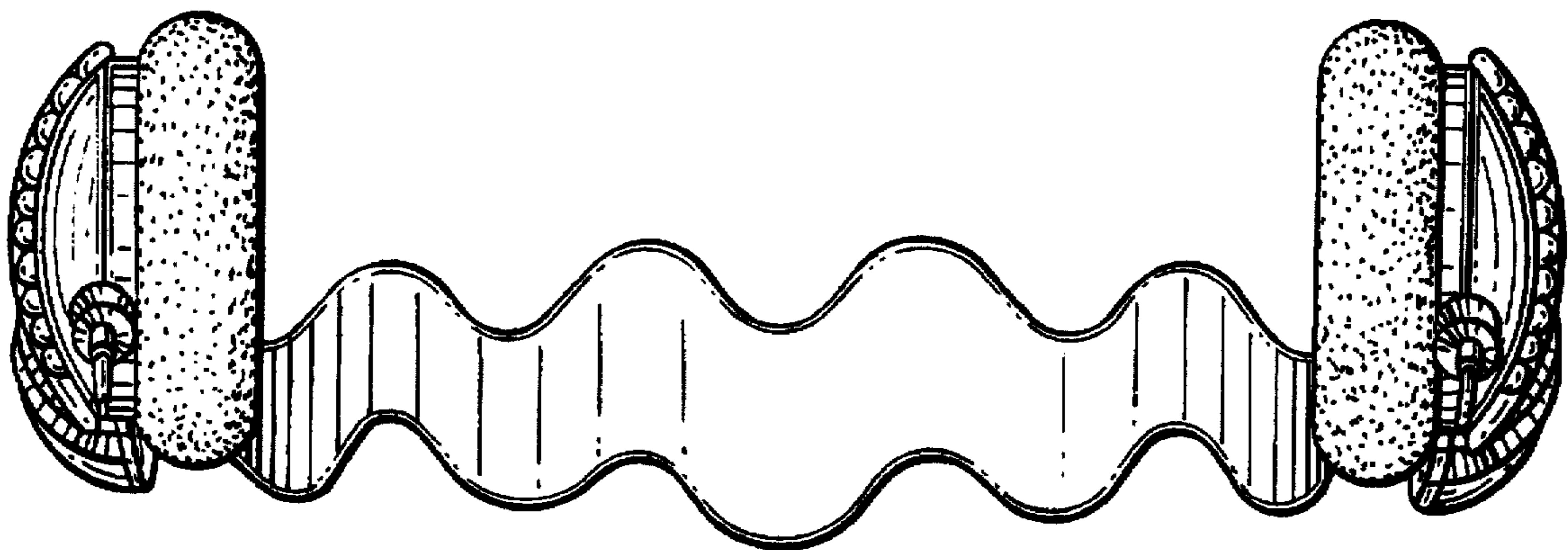
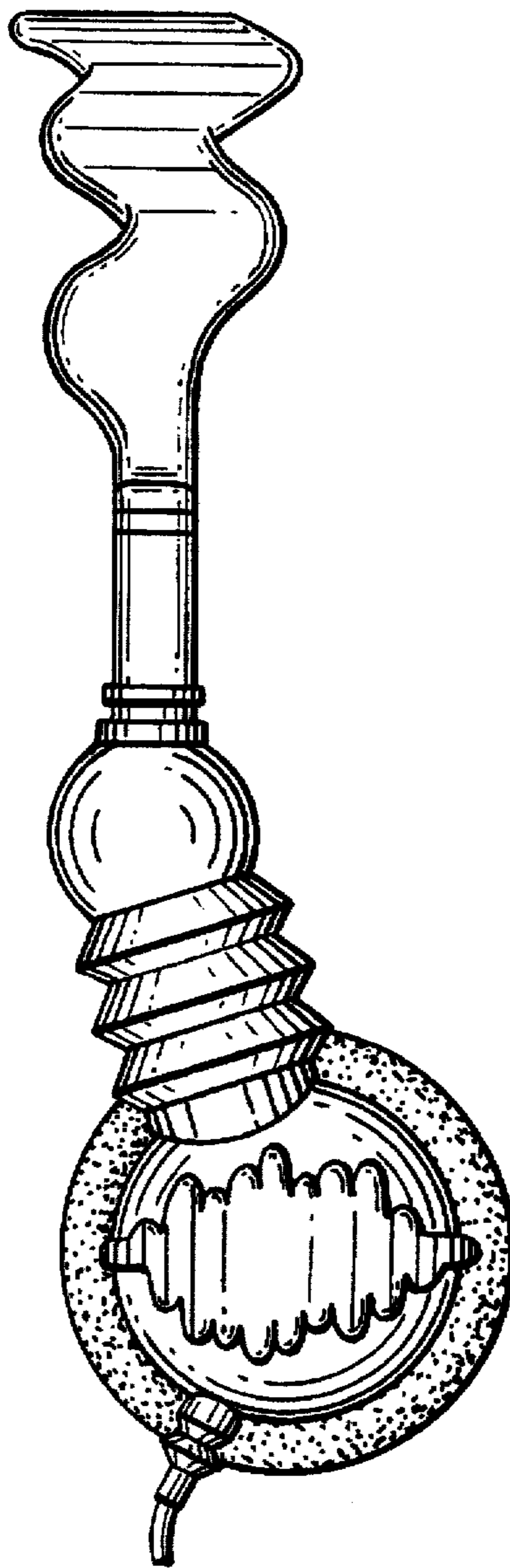


FIG. 6

FIG. 5

