



US00D388416S

**United States Patent** [19]  
**Jones**

[11] **Patent Number: Des. 388,416**

[45] **Date of Patent: \*\*Dec. 30, 1997**

[54] **FLIP REFERENCE MOUSEPAD**

D. 291,998 9/1987 Duffin, ii ..... D14/114  
5,556,061 9/1996 Dickie ..... 248/51

[76] **Inventor: Stephen J. Jones, 780 S. 81 East,  
Provo, Utah 84606**

*Primary Examiner—Kay H. Chin  
Attorney, Agent, or Firm—Workman, Nydegger & Seeley*

[\*\*] **Term: 14 Years**

[57] **CLAIM**

[21] **Appl. No.: 61,362**

The ornamental design to a flip reference mousepad, as shown and described.

[22] **Filed: Oct. 22, 1996**

**DESCRIPTION**

[51] **LOC (6) Cl. .... 14-02**

[52] **U.S. Cl. .... D14/114; D19/27**

[58] **Field of Search ..... D14/114, 100,  
D14/106; D18/54; D19/59, 27; 248/118,  
127, 174, 346, 676, 918, 118.1, 118.3,  
51**

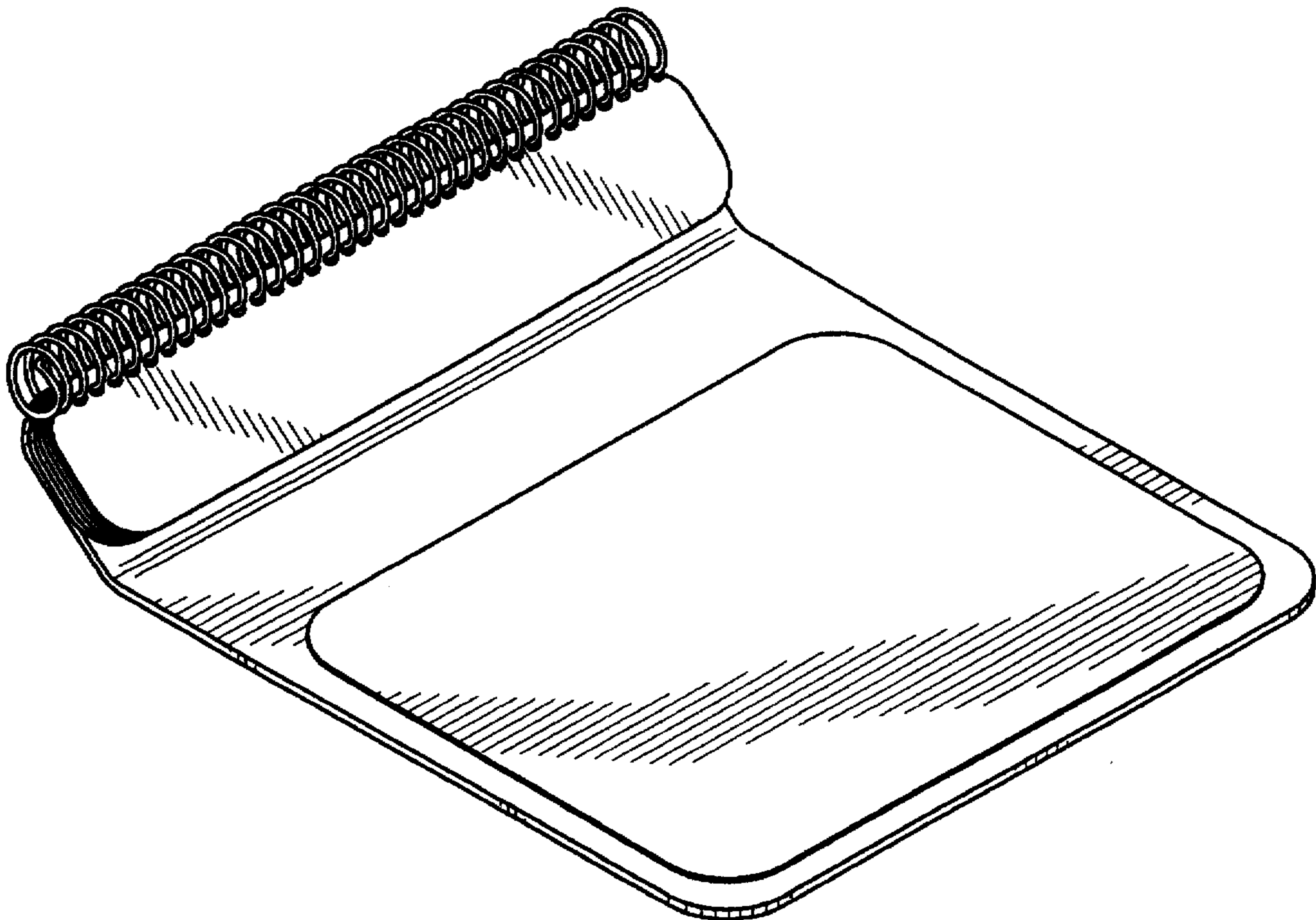
FIG. 1 is a perspective view of the mousepad;  
FIG. 2 is a top plan view of the mousepad;  
FIG. 3 is an bottom view of the mousepad;  
FIG. 4 is a left side view of the mousepad, the right side view  
is a mirror image of FIG. 4;  
FIG. 5 is a front elevational view of the mousepad; and,  
FIG. 6 is a rear elevational view of the mousepad.

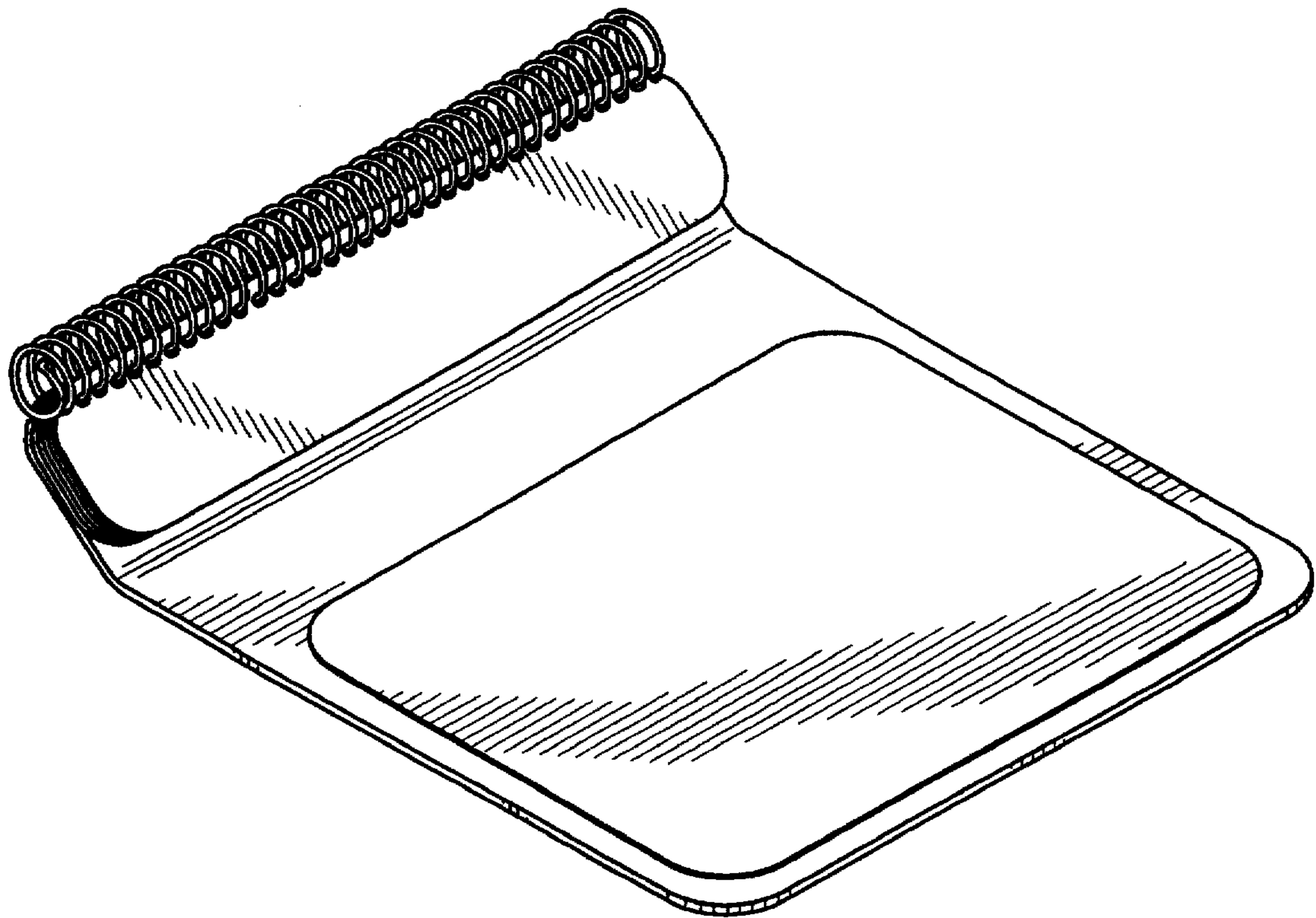
[56] **References Cited**

**U.S. PATENT DOCUMENTS**

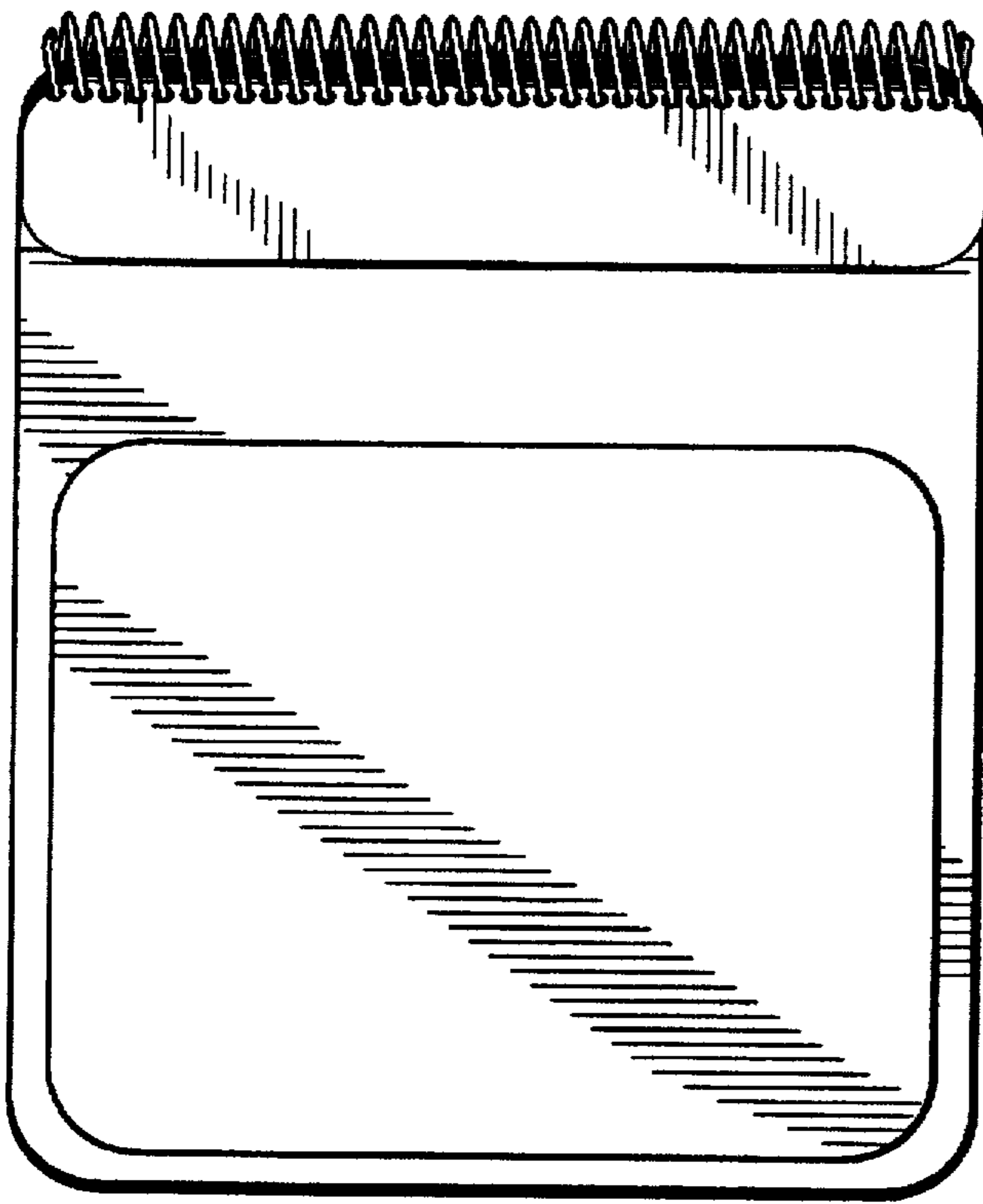
D. 291,997 9/1987 Duffin, ii ..... D14/114

**1 Claim, 3 Drawing Sheets**

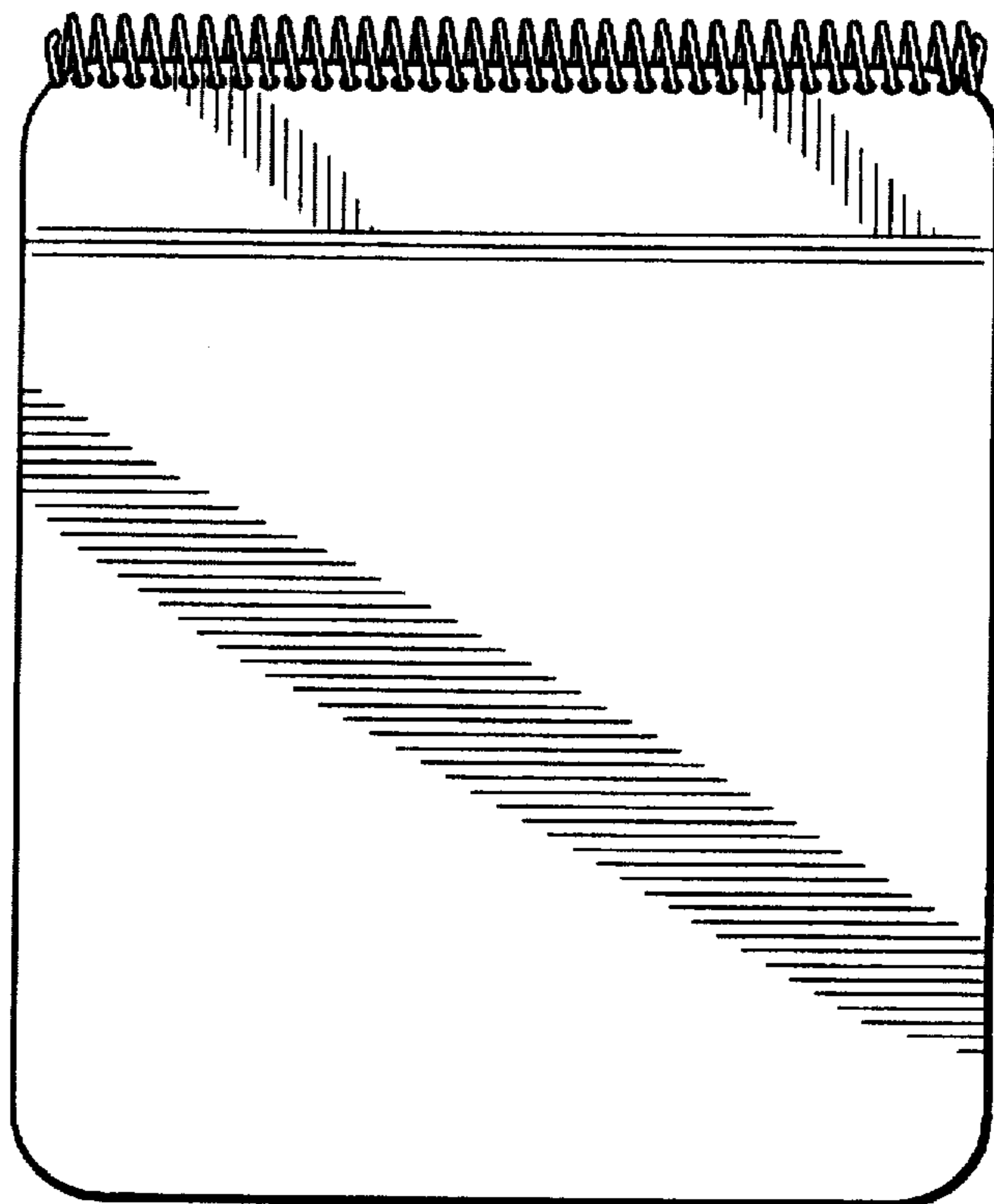




***Fig. 1***



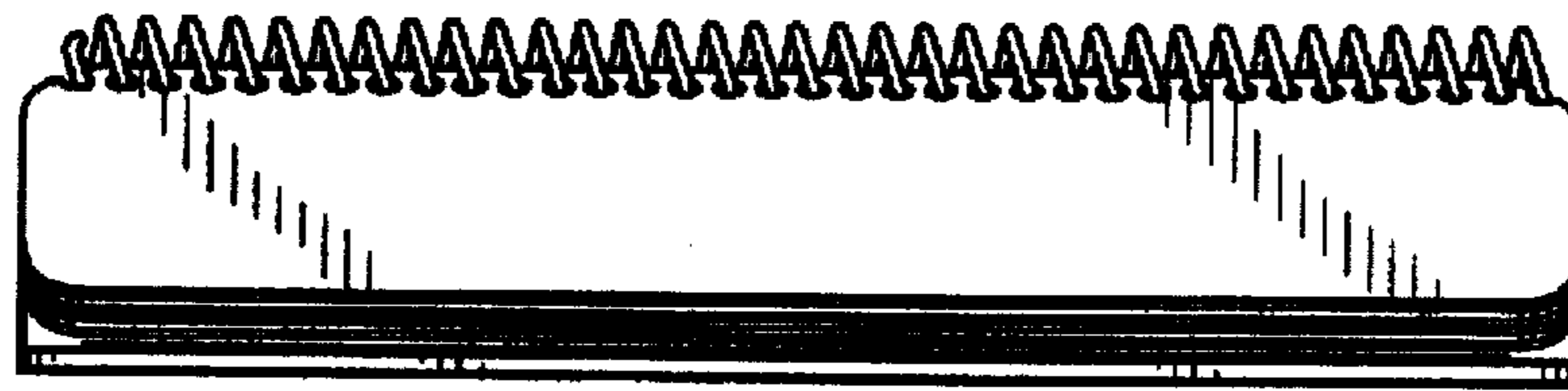
**Fig. 2**



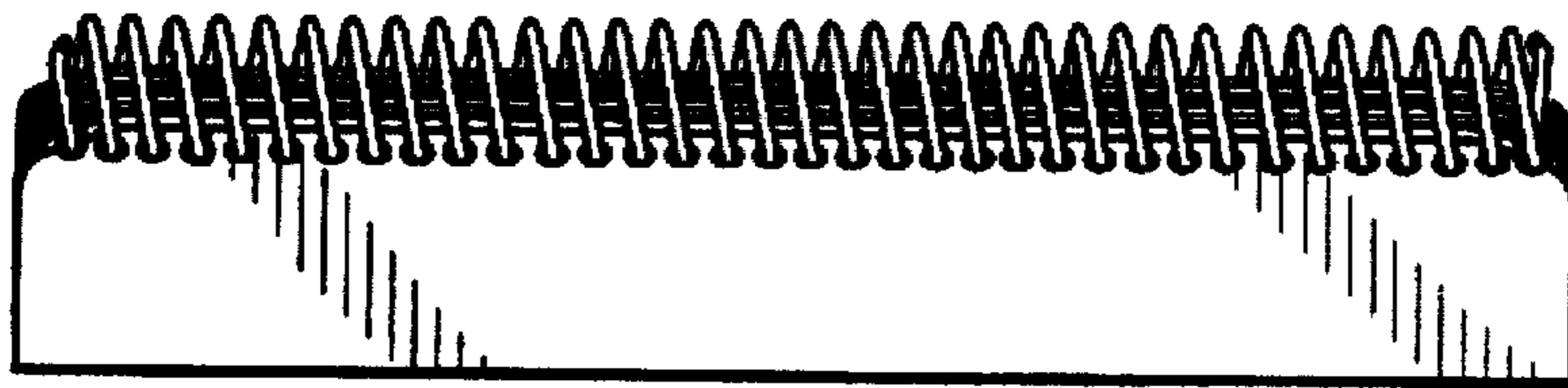
**Fig. 3**



**Fig. 4**



**Fig. 5**



**Fig. 6**