



US00D388413S

United States Patent [19]

Takemasa

[11] Patent Number: Des. 388,413

[45] Date of Patent: **Dec. 30, 1997

[54] COMPUTER DISPLAY

D. 364,607 11/1995 Backs D14/113
D. 364,608 11/1995 Nakada D14/113

[75] Inventor: Hirofumi Takemasa, Osaka, Japan

[73] Assignee: Matsushita Electric Industrial Co., Ltd., Osaka, Japan

Primary Examiner—Freda Nunn
Attorney, Agent, or Firm—Sughrue, Mion, Zinn, Macpeak & Seas, PLLC

[**] Term: 14 Years

[57] CLAIM

[21] Appl. No.: 63,791

The ornamental design for a computer display, as shown.

[22] Filed: Dec. 16, 1996

DESCRIPTION

[30] Foreign Application Priority Data

Jul. 5, 1996 [JP] Japan 8-20071

FIG. 1 is a perspective view of the front, top and right side of a computer display showing my new design;

[51] LOC (6) Cl. 14-02

FIG. 2 is a front elevational view thereof;

[52] U.S. Cl. D14/113; D14/126

FIG. 3 is a top plan view thereof;

[58] Field of Search D14/100, 101, D14/106, 113, 124-129; 248/917-924; 345/104, 133, 156, 168, 87, 173, 901-905

FIG. 4 is a right side elevational view thereof;

FIG. 5 is a left side elevational view thereof;

FIG. 6 is a rear elevational view thereof; and,

FIG. 7 is a bottom plan view thereof.

[56] References Cited

U.S. PATENT DOCUMENTS

D. 355,413 2/1995 Masunari D14/113

1 Claim, 4 Drawing Sheets

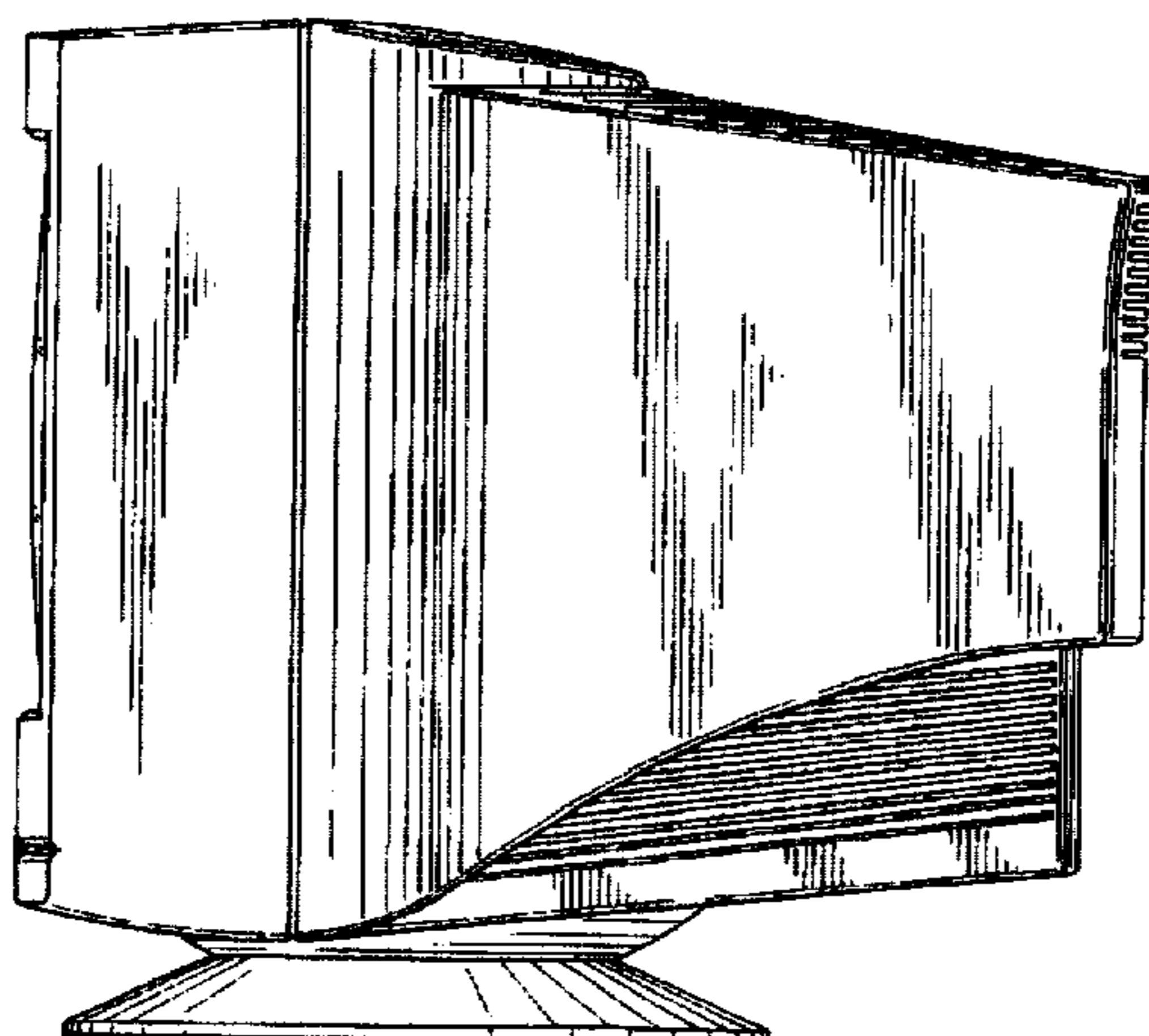
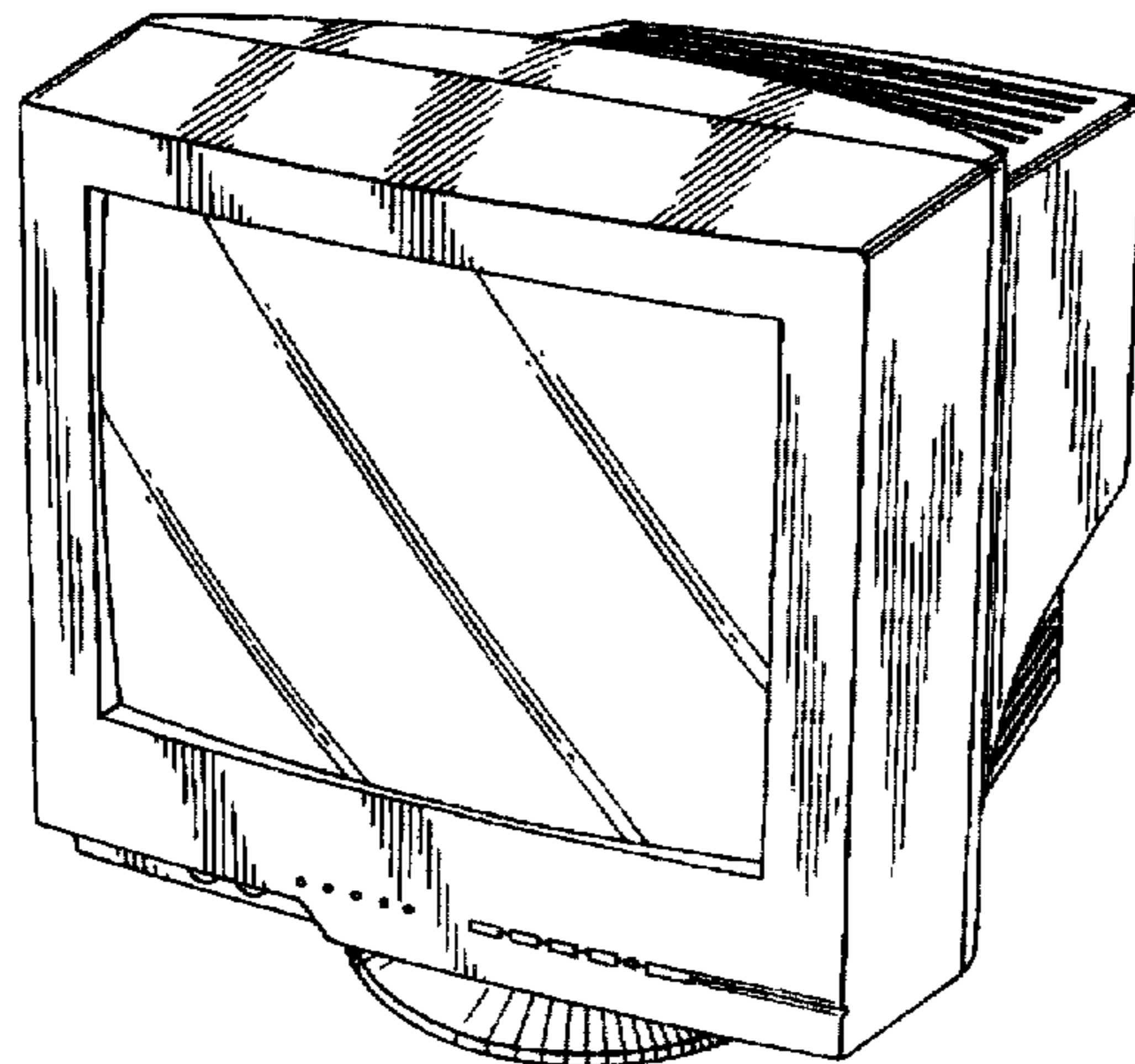


FIG. 1

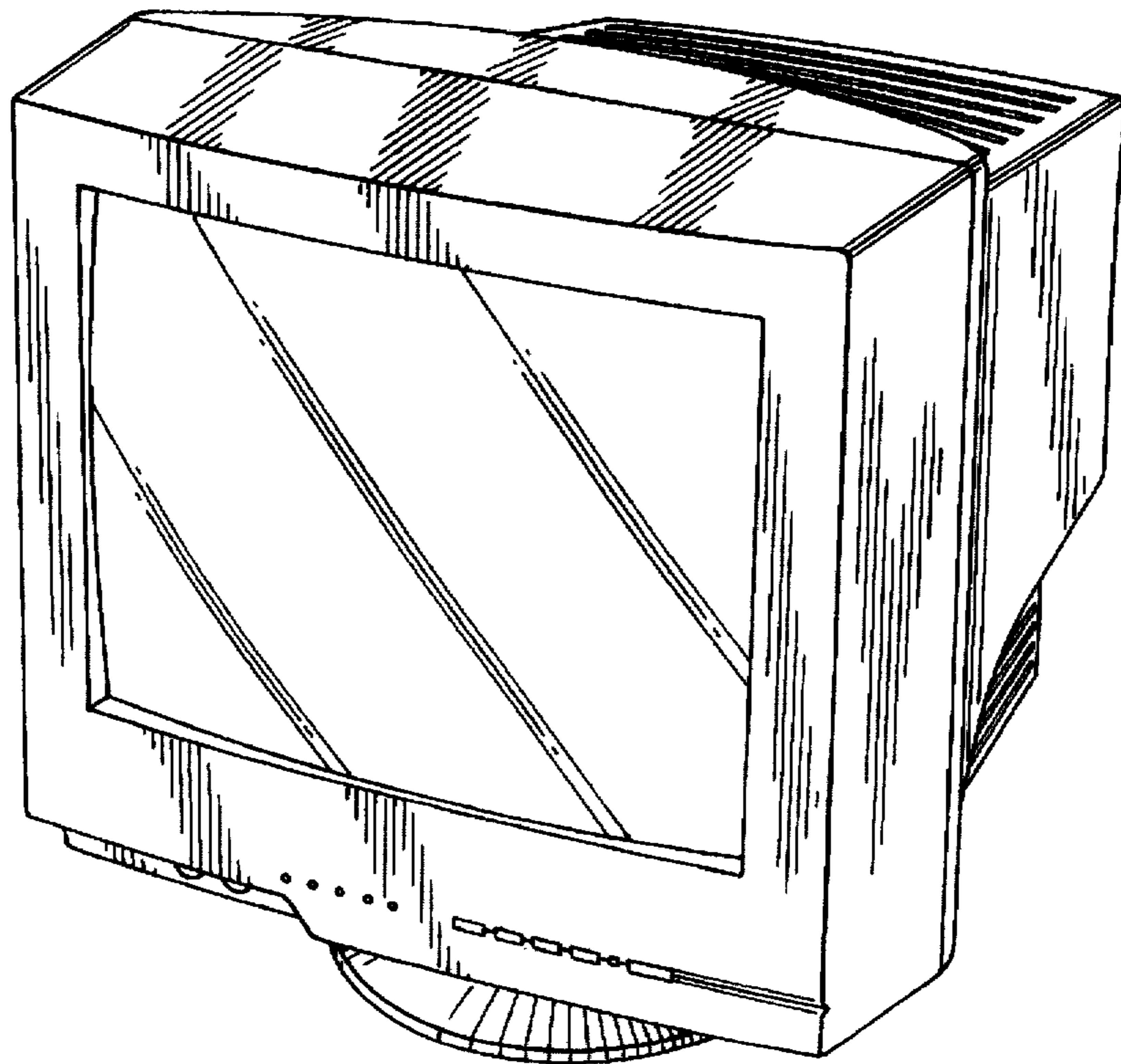


FIG. 2

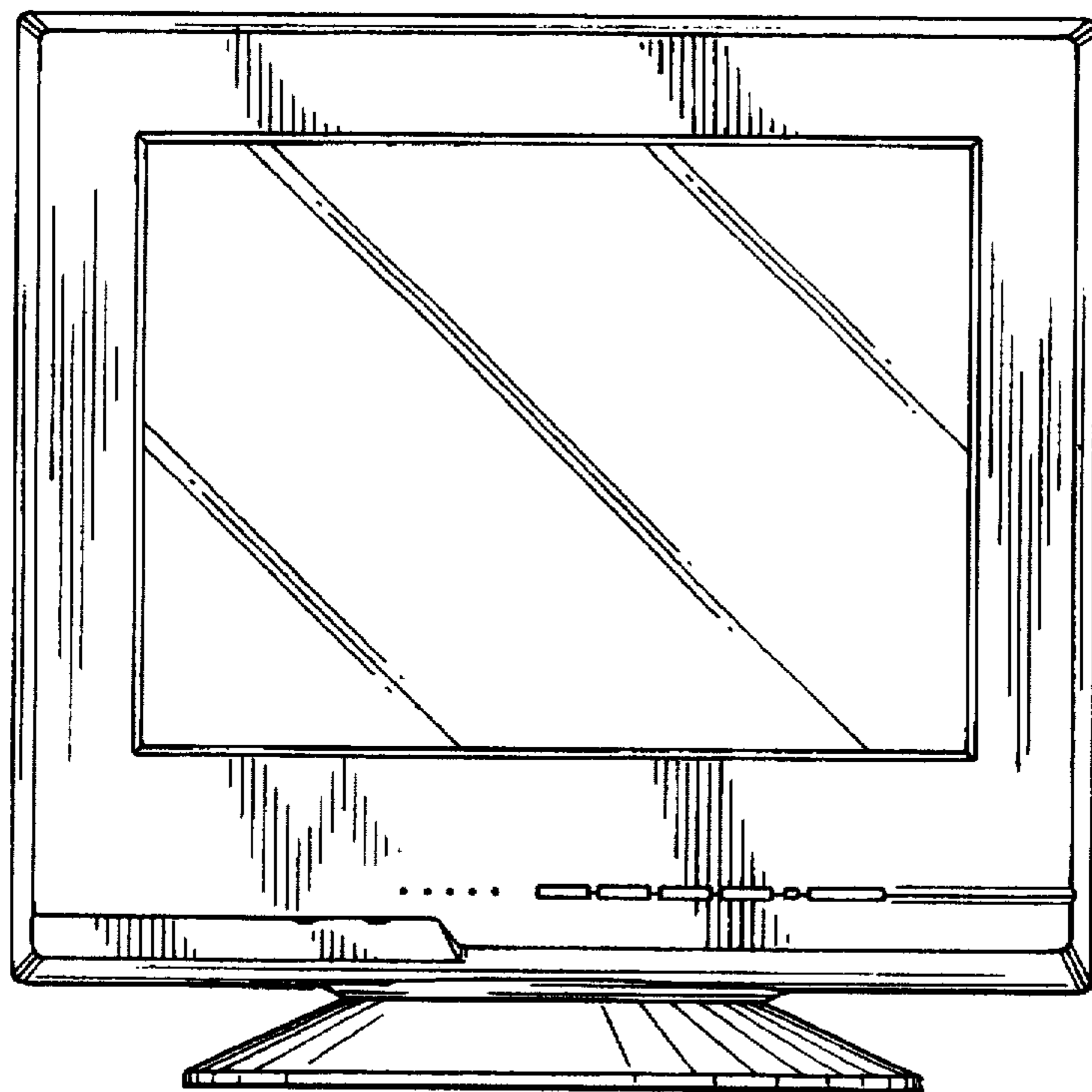


FIG. 3

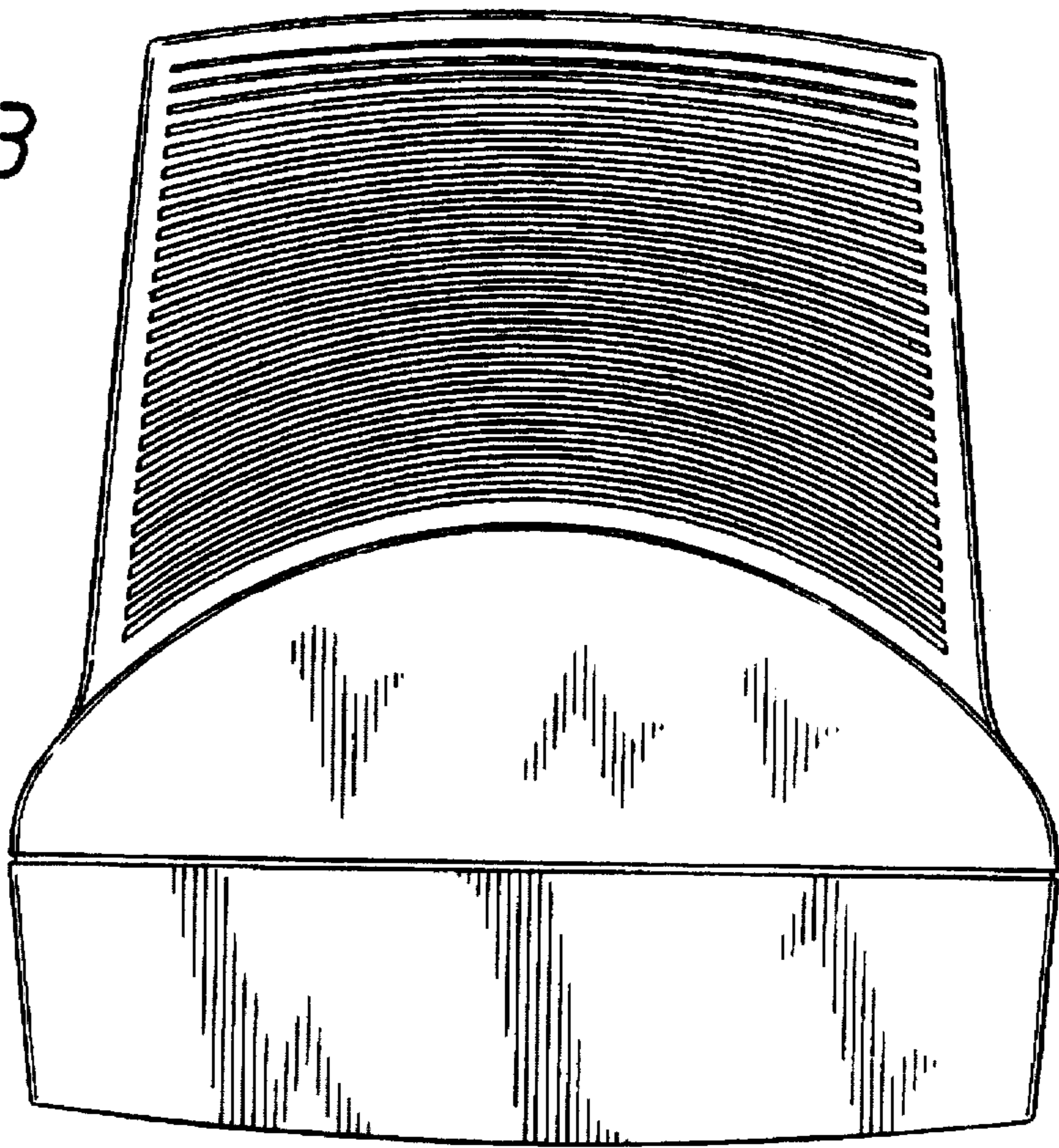


FIG. 4

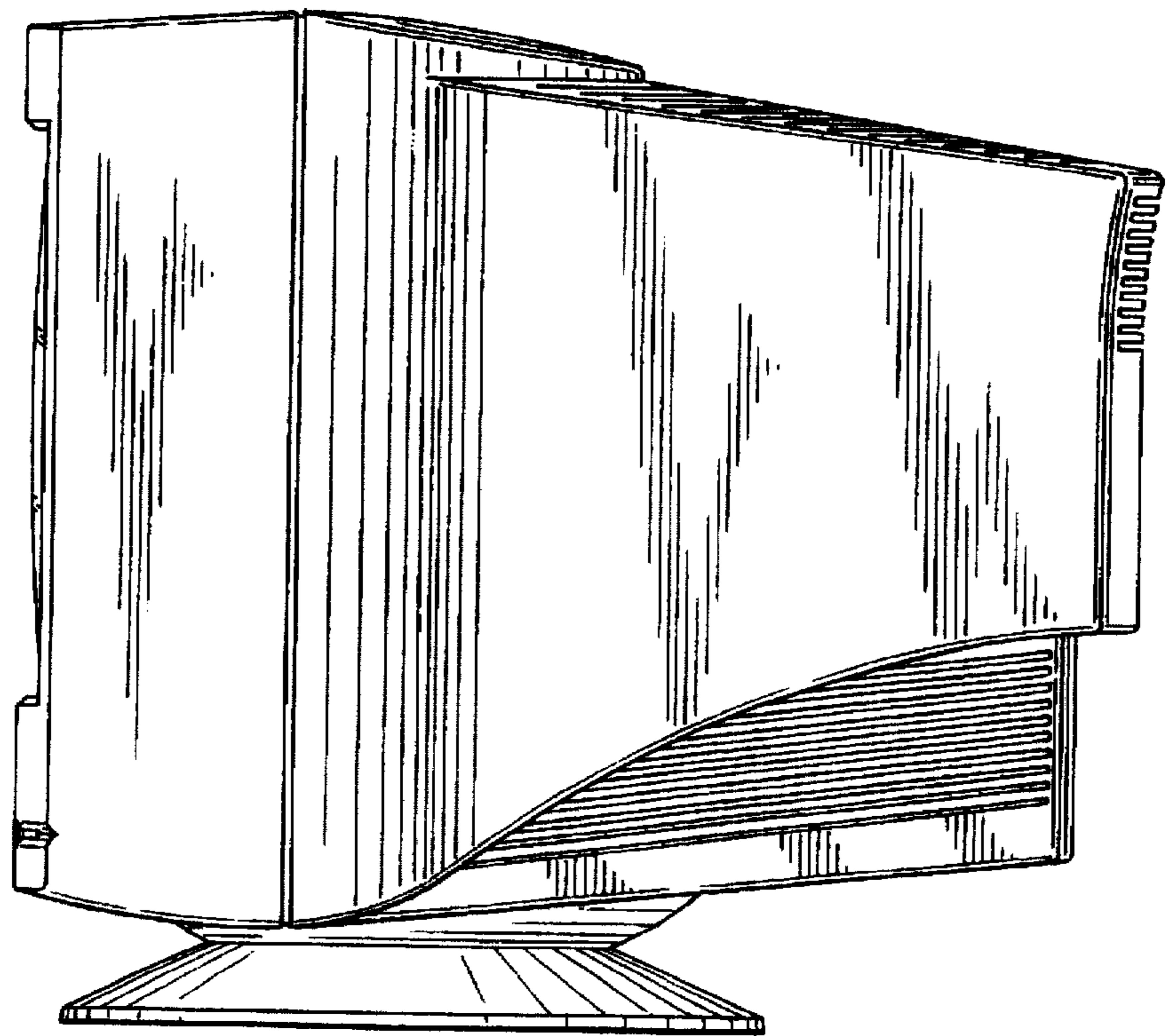


FIG. 5

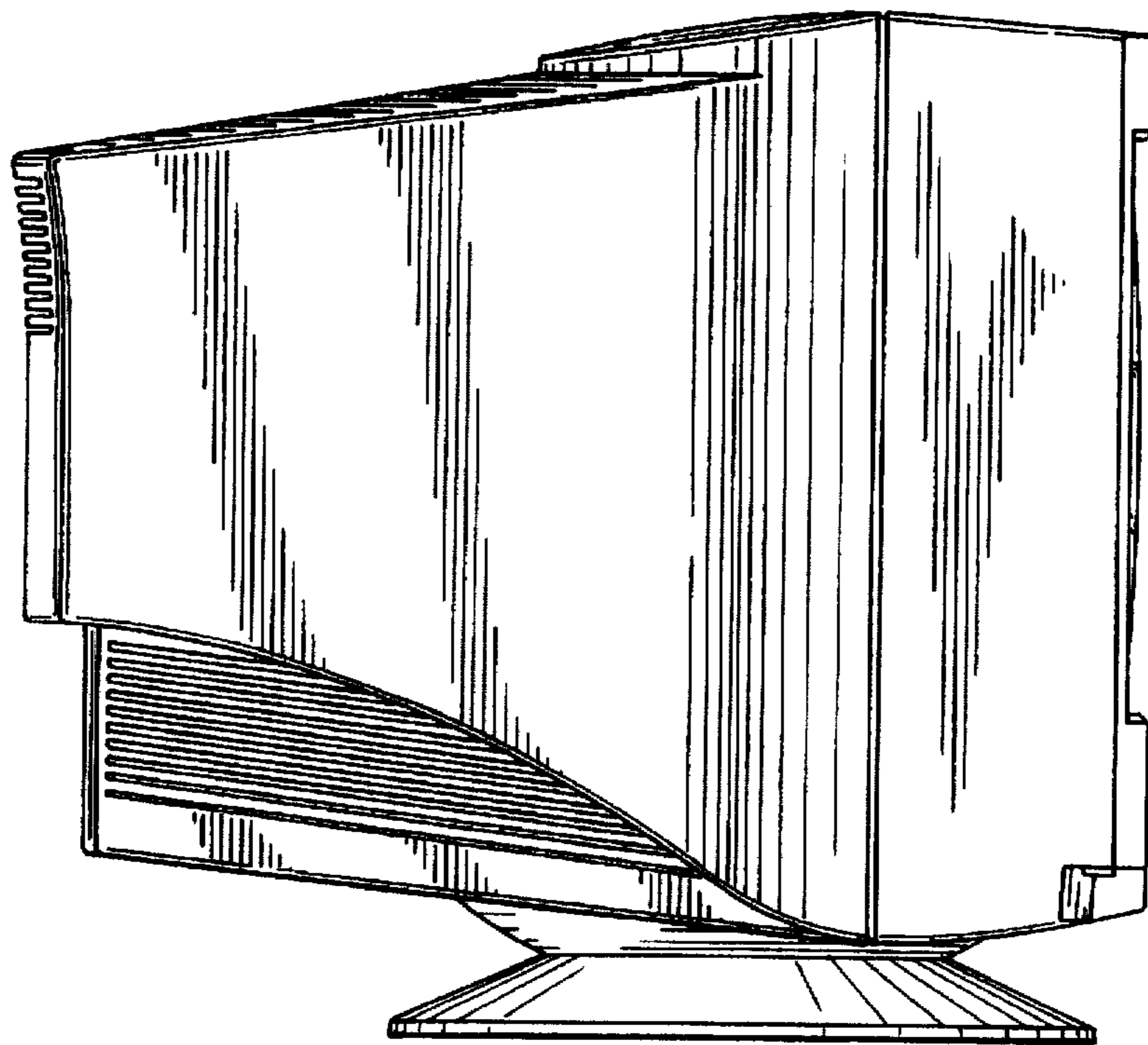


FIG. 6

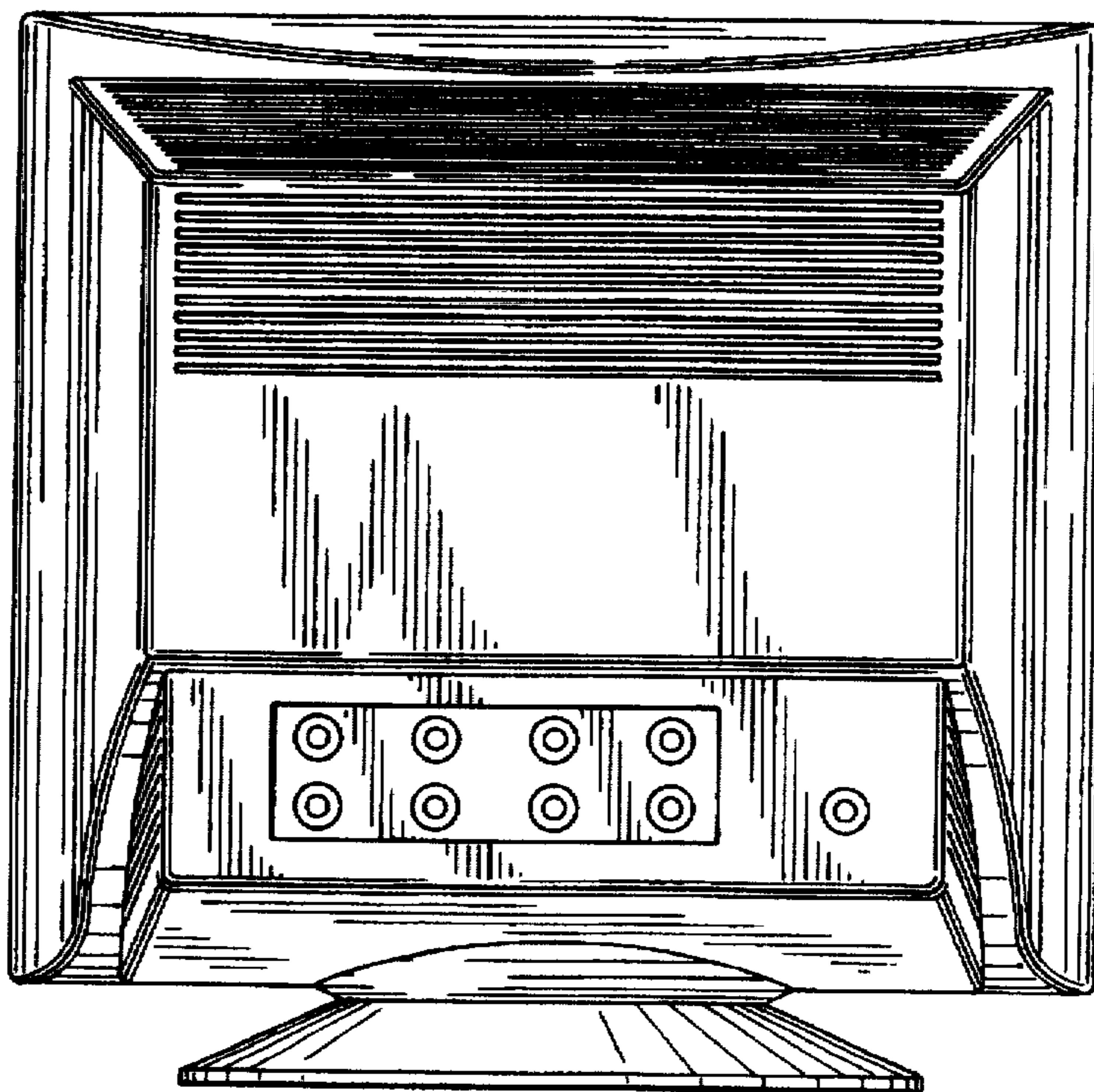


FIG. 7

