



US00D388412S

# United States Patent [19]

Myles et al.

[11] Patent Number: **Des. 388,412**

[45] Date of Patent: **\*\*Dec. 30, 1997**

## [54] ELECTRONIC DISPLAY DEVICE

[75] Inventors: **Ian James Myles, Mountain View; Sonja Schiefer, Palo Alto, both of Calif.**

[73] Assignee: **Shinho Electronics & Communications Co., Ltd., Seoul, Rep. of Korea**

[\*\*] Term: **14 Years**

[21] Appl. No.: **62,483**

[22] Filed: **Nov. 15, 1996**

[51] LOC (6) Cl. .... **14-02**

[52] U.S. Cl. .... **D14/113; D14/126**

[58] Field of Search ..... **D14/100, 101, D14/106, 113, 124-129; 345/104, 133, 156, 168, 87, 173, 901-905; 248/917-924**

## [56] References Cited

### U.S. PATENT DOCUMENTS

D. 313,228 12/1990 Suyama et al. .... D14/113

D. 347,001 5/1994 Lee ..... D14/113  
D. 364,607 11/1995 Backs ..... D14/113  
D. 365,549 12/1995 Chae et al. .... D14/113

*Primary Examiner*—Freda Nunn  
*Attorney, Agent, or Firm*—Loeb & Loeb LLP

## [57] CLAIM

The ornamental design for an electronic display device, as shown and described.

## DESCRIPTION

FIG. 1 is a perspective view of an electronic display device showing our new design;

FIG. 2 is a front elevational view thereof;

FIG. 3 is a rear elevational view thereof;

FIG. 4 is a left elevational view thereof;

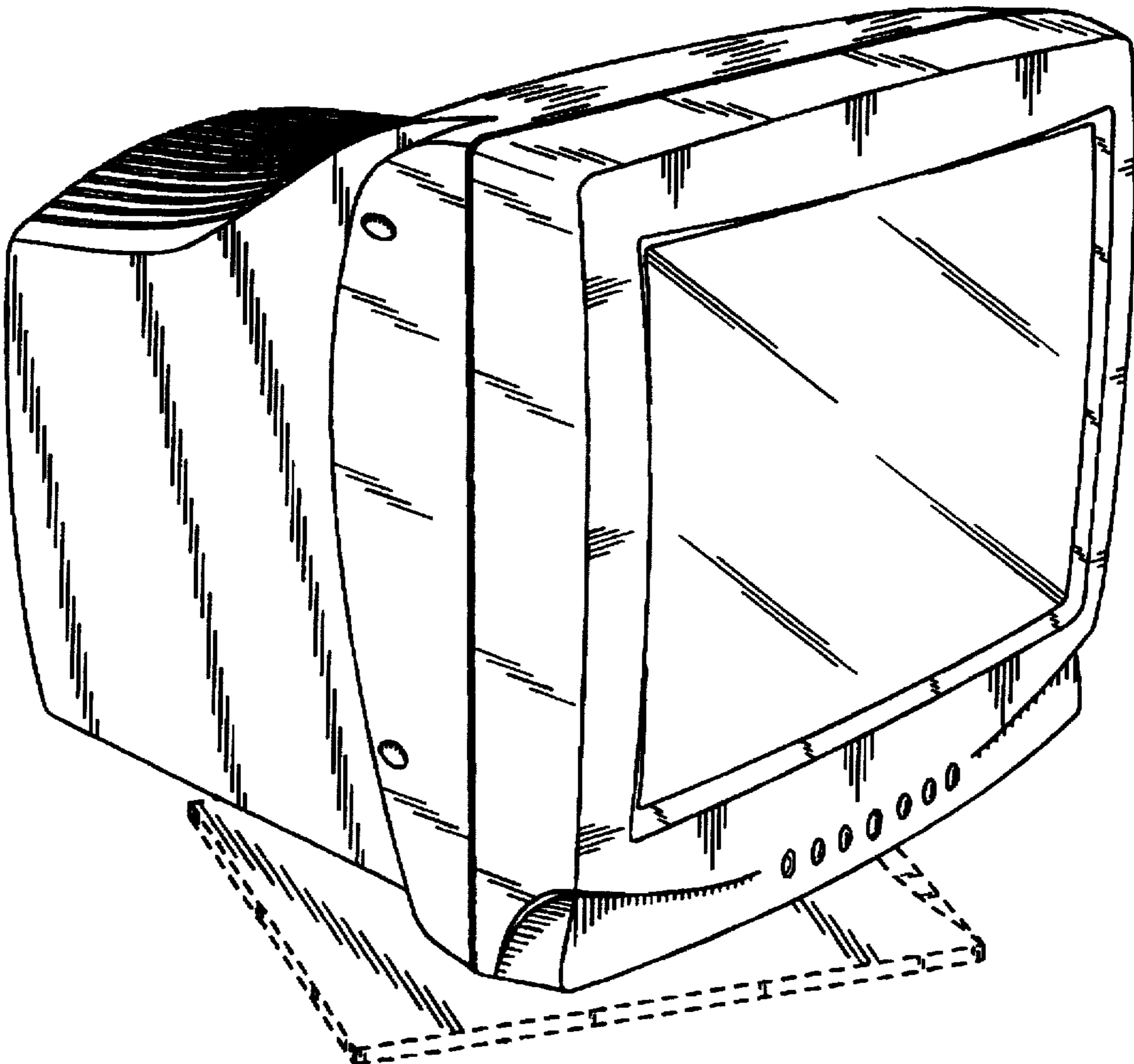
FIG. 5 is a right elevational view thereof;

FIG. 6 is a top plan view thereof; and,

FIG. 7 is a bottom plan view thereof.

The broken line showing is for illustrative purposes only and forms no part of the claimed design.

**1 Claim, 7 Drawing Sheets**



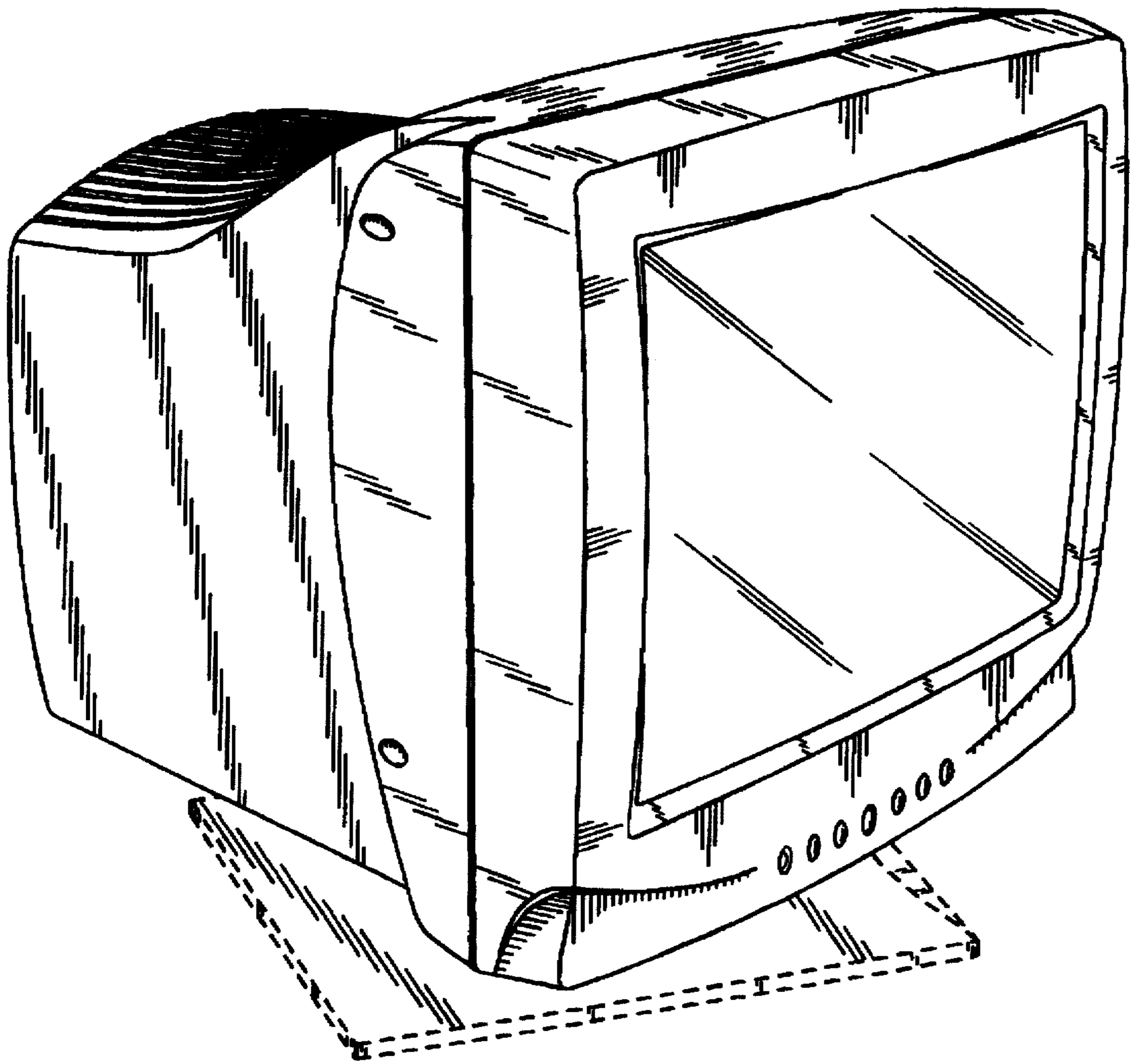


FIG. 1

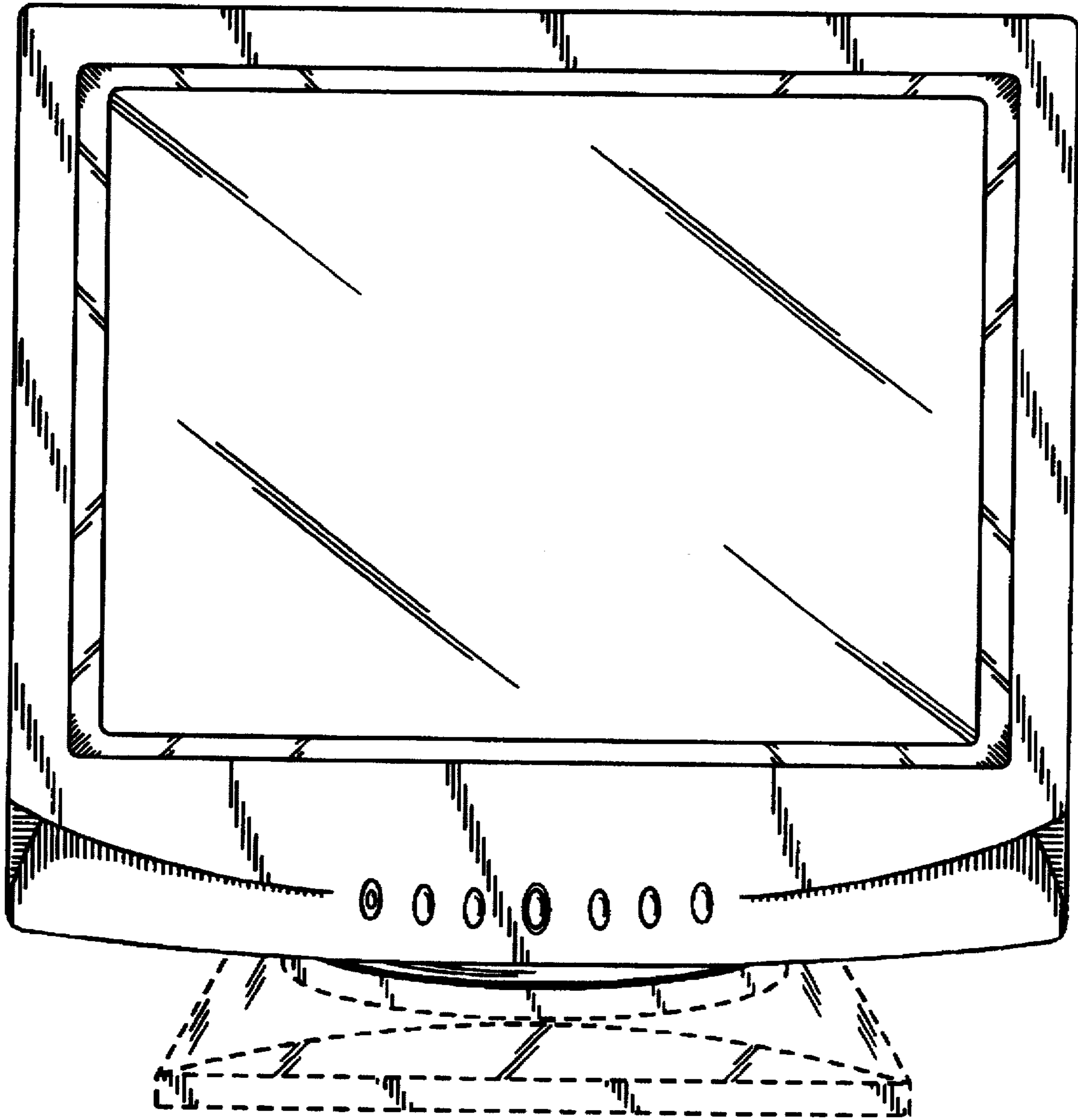


FIG.2

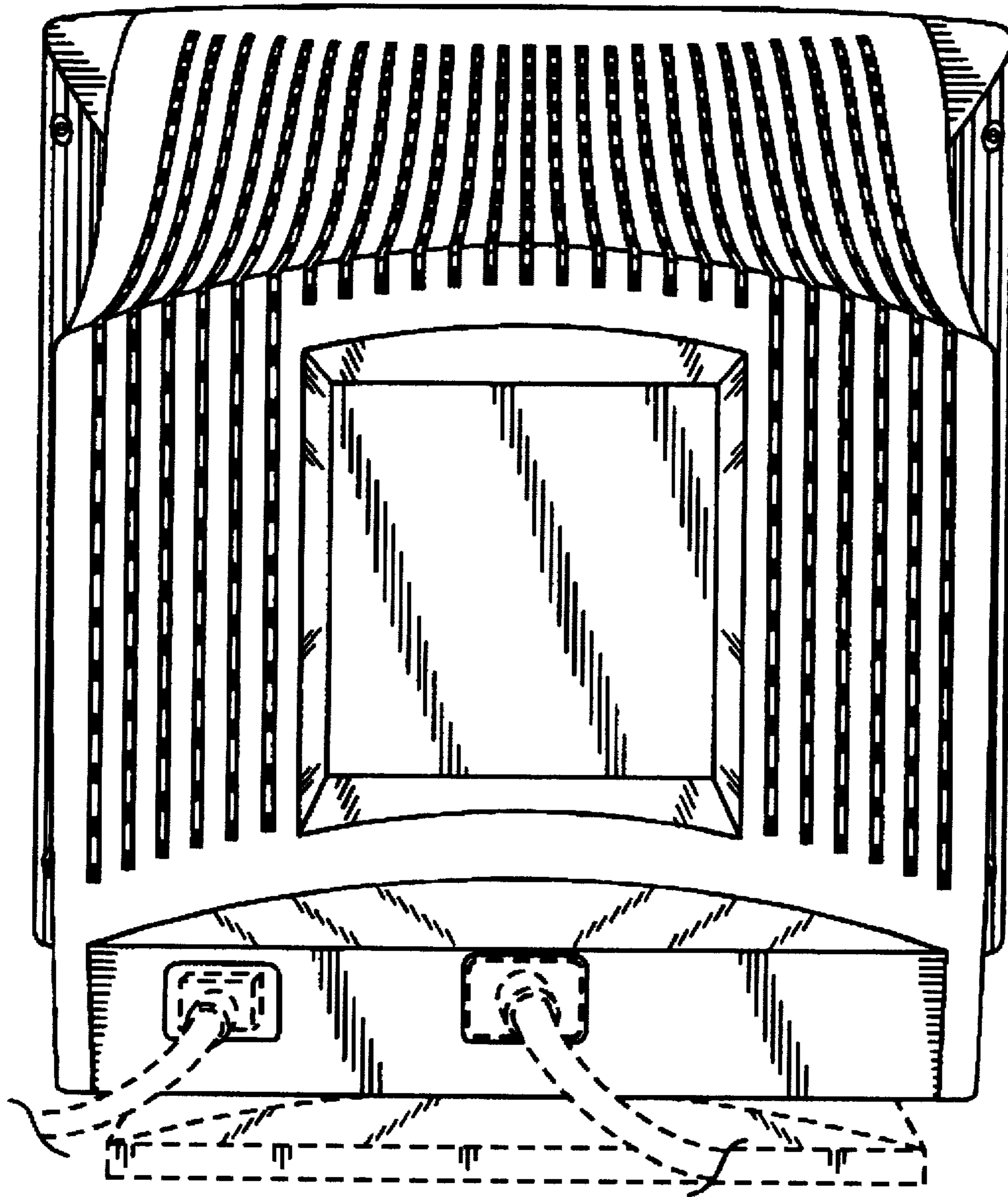


FIG.3

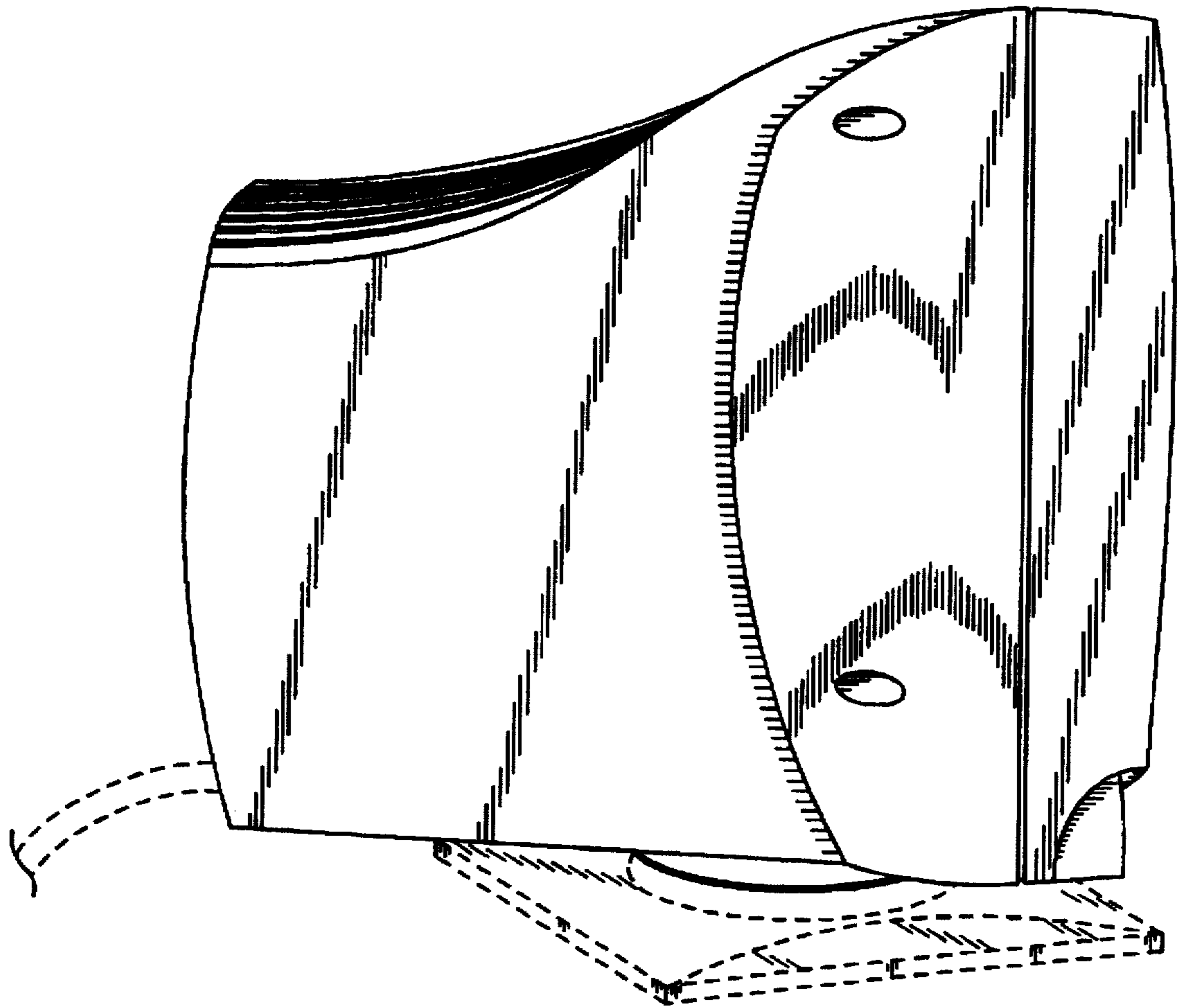


FIG.4

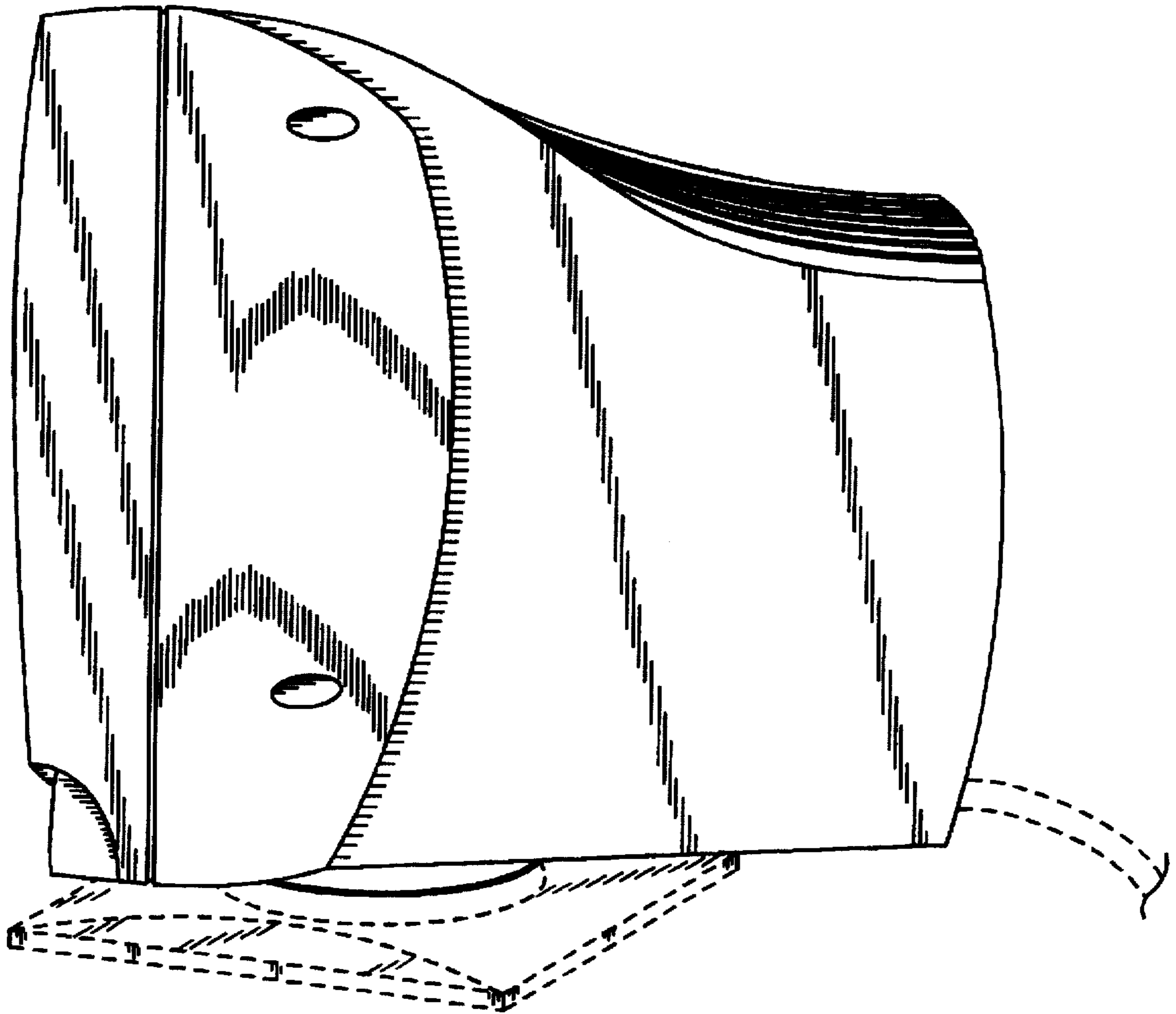


FIG.5

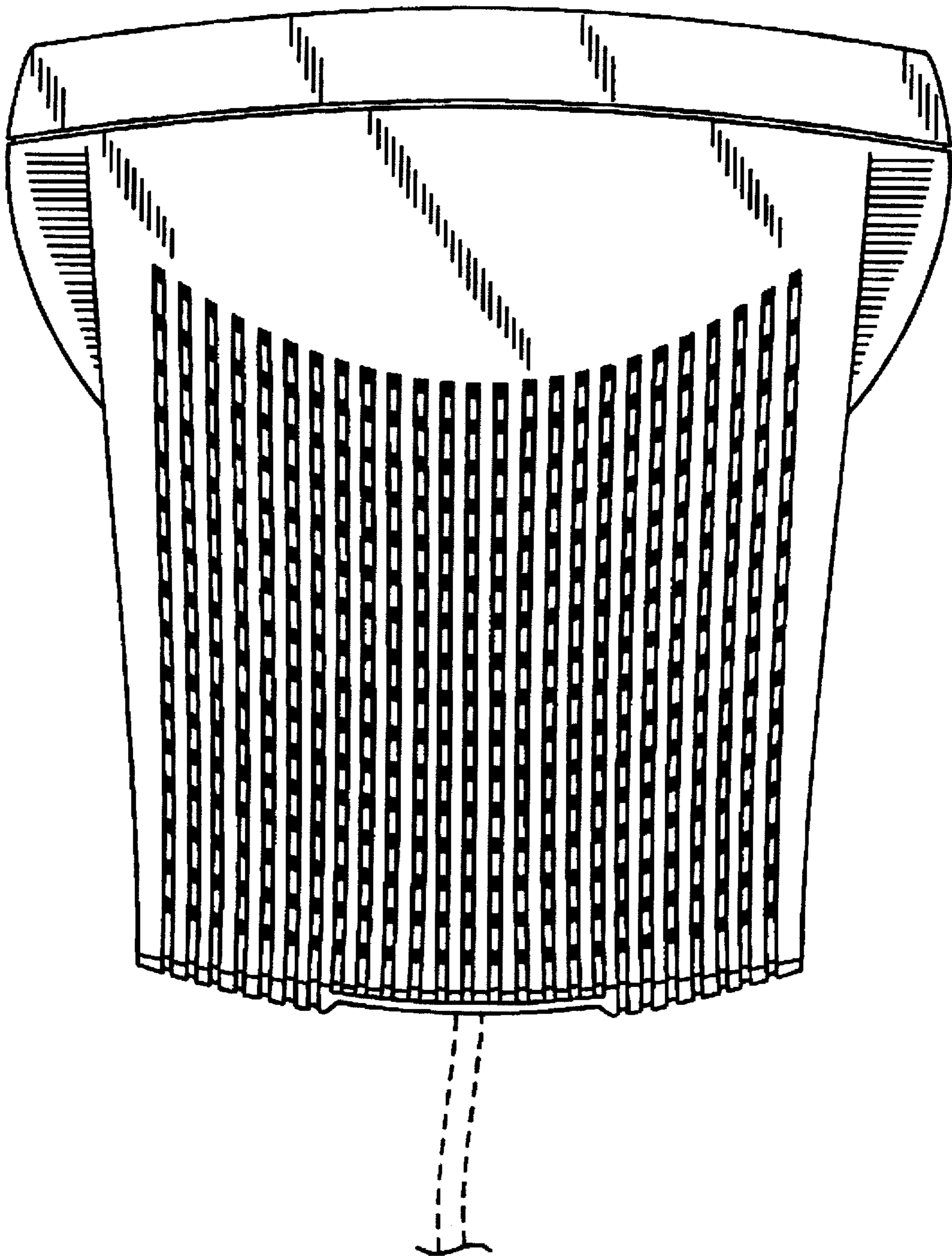


FIG. 6

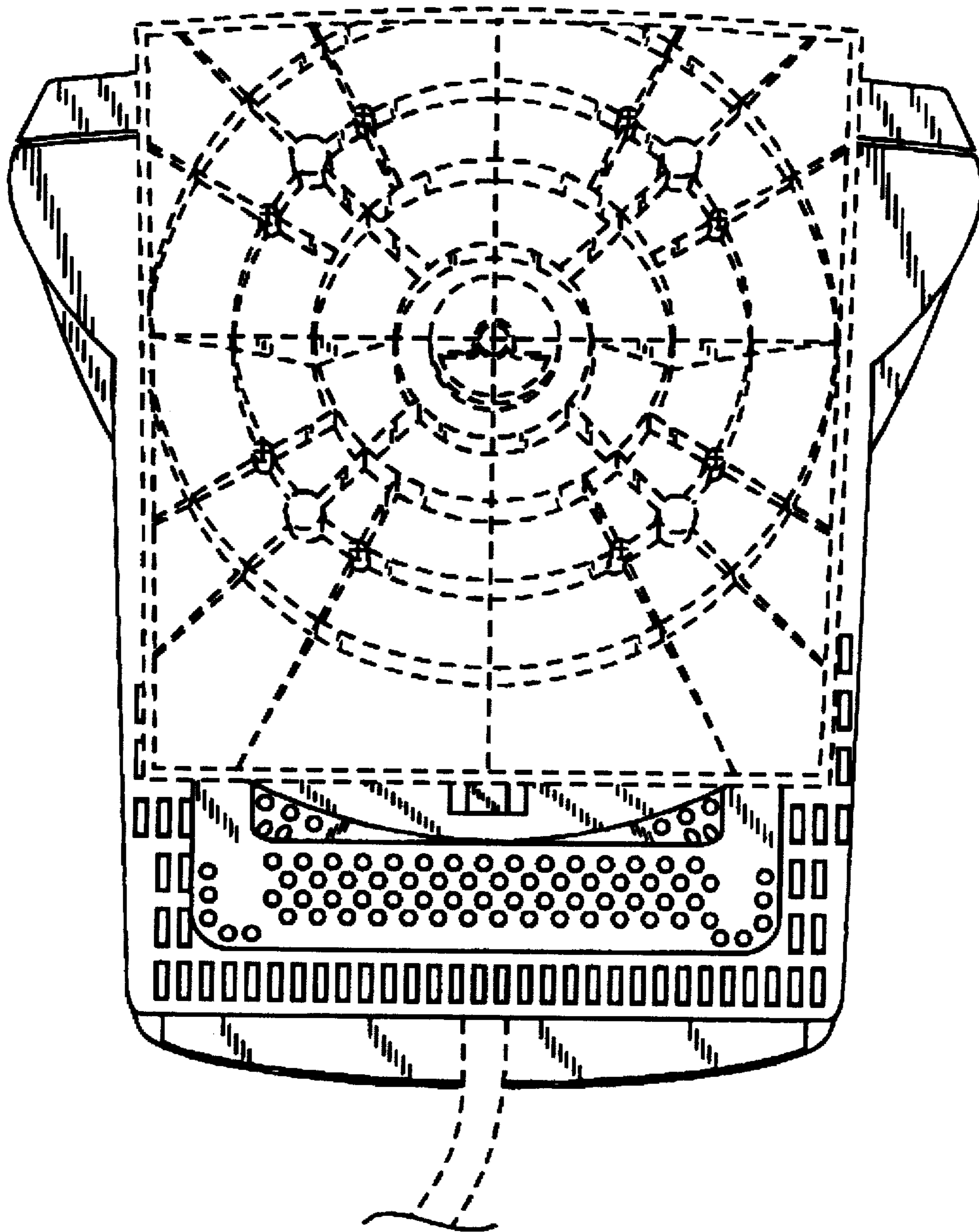


FIG. 7