



US00D388410S

United States Patent [19]
Myles et al.

[11] **Patent Number: Des. 388,410**
[45] **Date of Patent: **Dec. 30, 1997**

- [54] **ELECTRONIC DISPLAY DEVICE**
- [75] **Inventors: Ian James Myles, Mountain View; Sonja Schiefer, Palo Alto, both of Calif.**
- [73] **Assignee: Shinho Electronics & Communications Co., Ltd., Seoul, Rep. of Korea**
- [**] **Term: 14 Years**
- [21] **Appl. No.: 62,443**
- [22] **Filed: Nov. 15, 1996**
- [51] **LOC (6) Cl. 14-02**
- [52] **U.S. Cl. D14/113; D14/126**
- [58] **Field of Search D14/100, 101, D14/106, 113, 124-129; 345/104, 133, 156, 168, 173, 87, 901-905; 248/917-924**

- D. 347,001 5/1994 Lee D14/113
- D. 364,607 11/1995 Backs D14/113
- D. 365,549 12/1995 Chae et al. D14/113

Primary Examiner—Freda Nunn
Attorney, Agent, or Firm—Loeb & Loeb LLP

[57] **CLAIM**

The ornamental design for an electronic display device, as shown and described.

DESCRIPTION

FIG. 1 is a perspective view of an electronic display device showing our new design;
 FIG. 2 is a front elevational view thereof;
 FIG. 3 is a rear elevational view thereof;
 FIG. 4 is a left elevational view thereof;
 FIG. 5 is a right elevational view thereof;
 FIG. 6 is a top plan view thereof; and,
 FIG. 7 is a bottom plan view thereof.

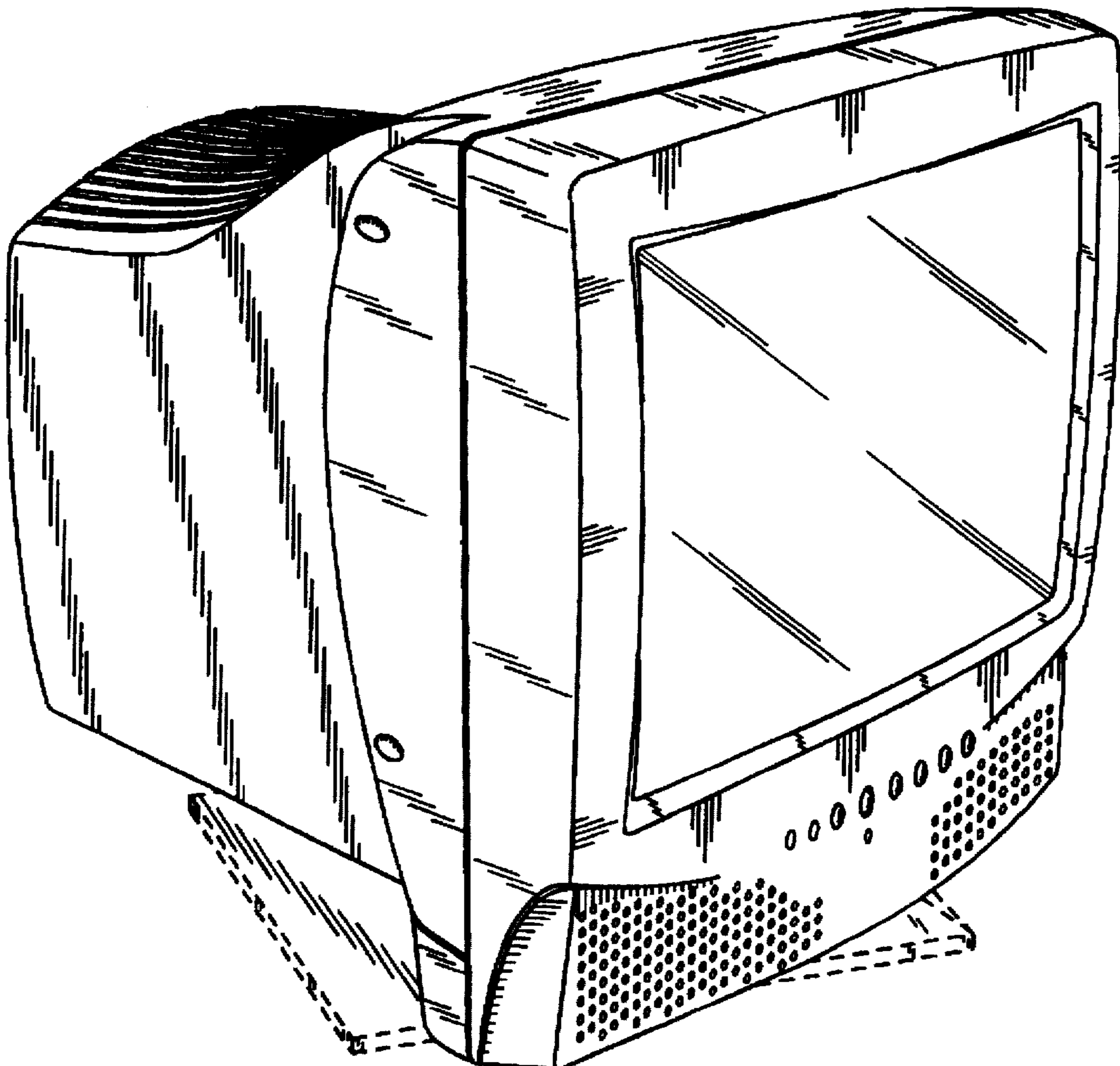
The broken line showing is for illustrative purposes only and forms no part of the claimed design.

[56] **References Cited**

U.S. PATENT DOCUMENTS

- D. 313,228 12/1990 Suyama et al. D14/113

1 Claim, 7 Drawing Sheets



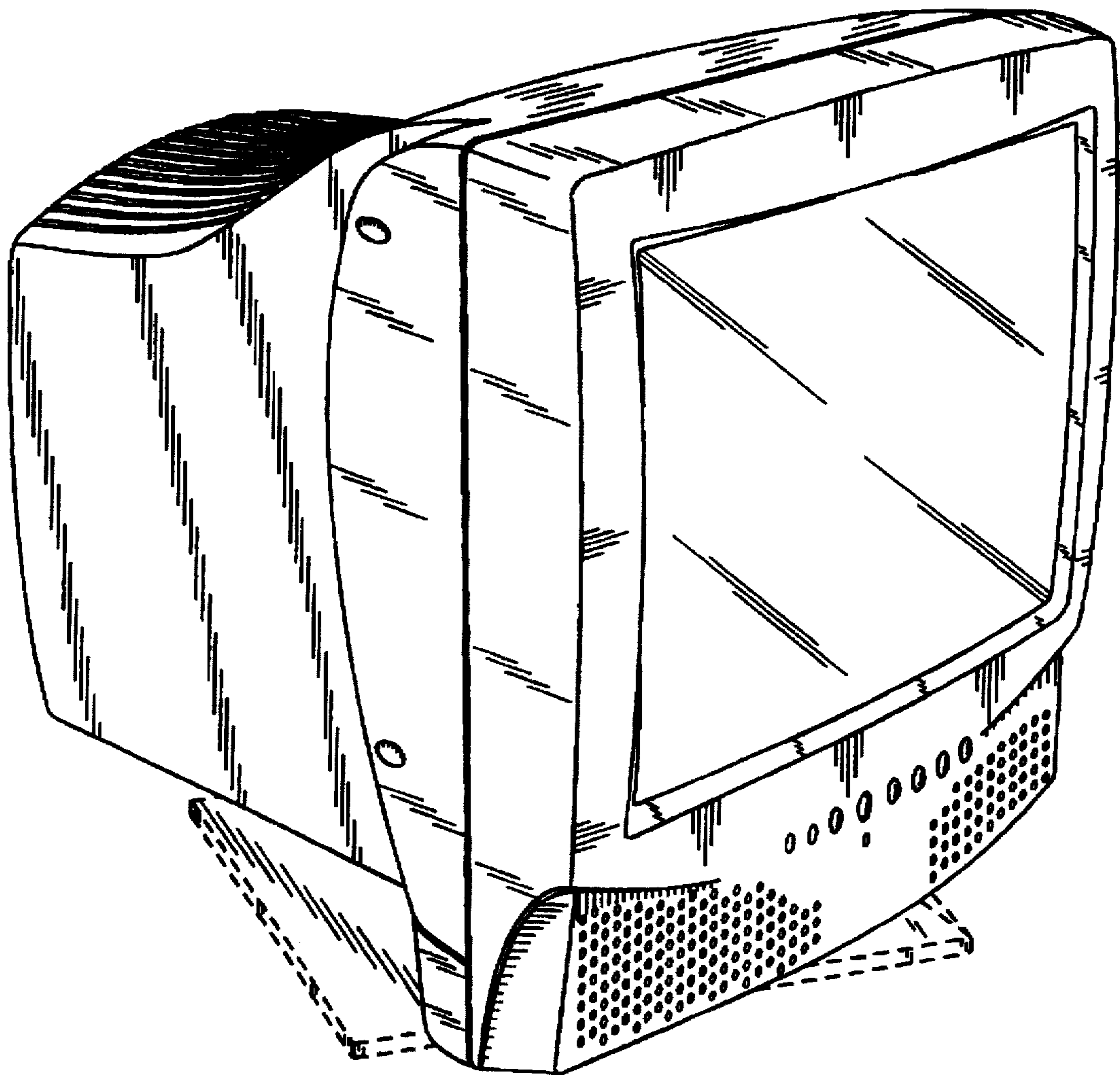


FIG. 1

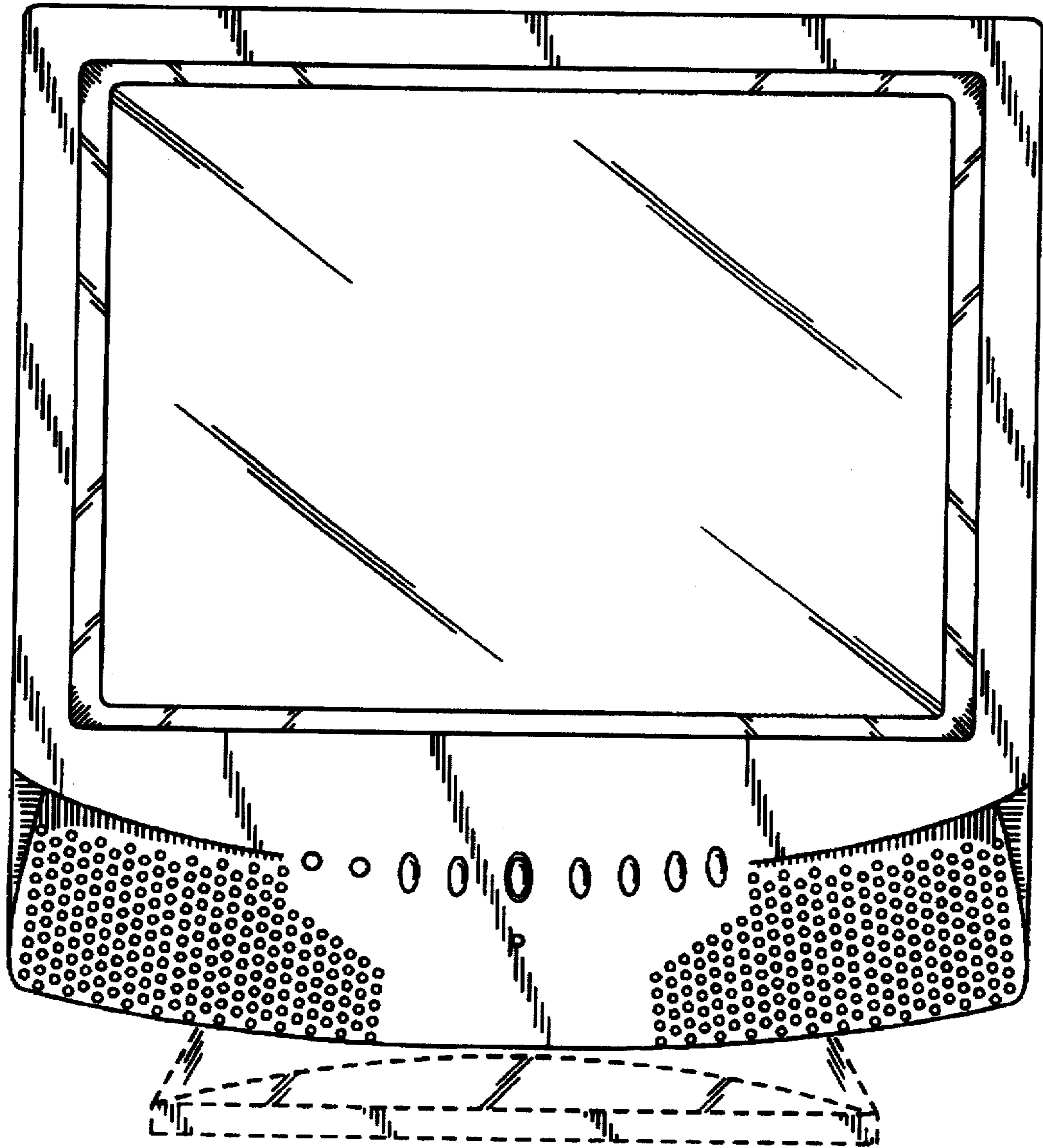


FIG.2

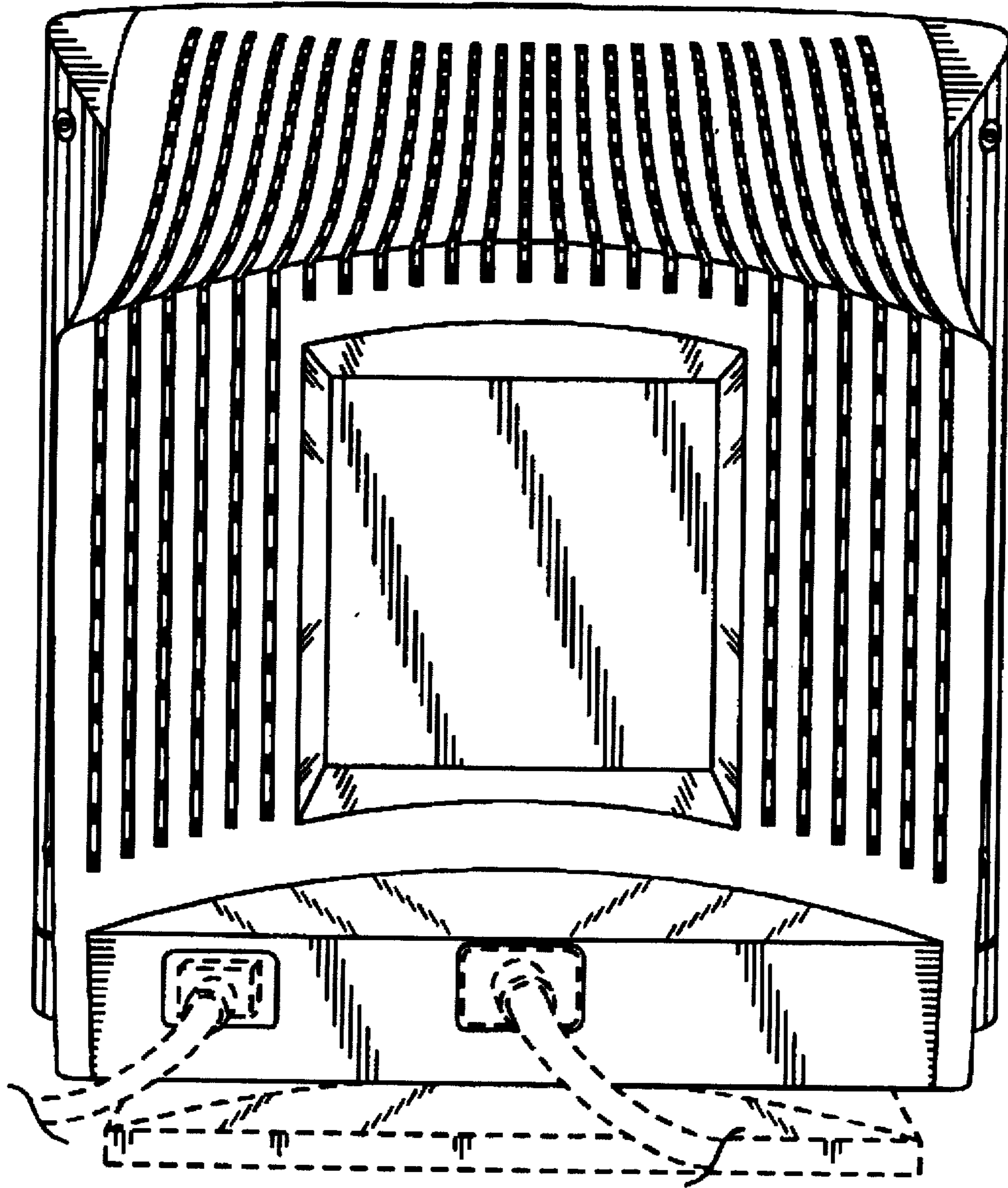


FIG.3

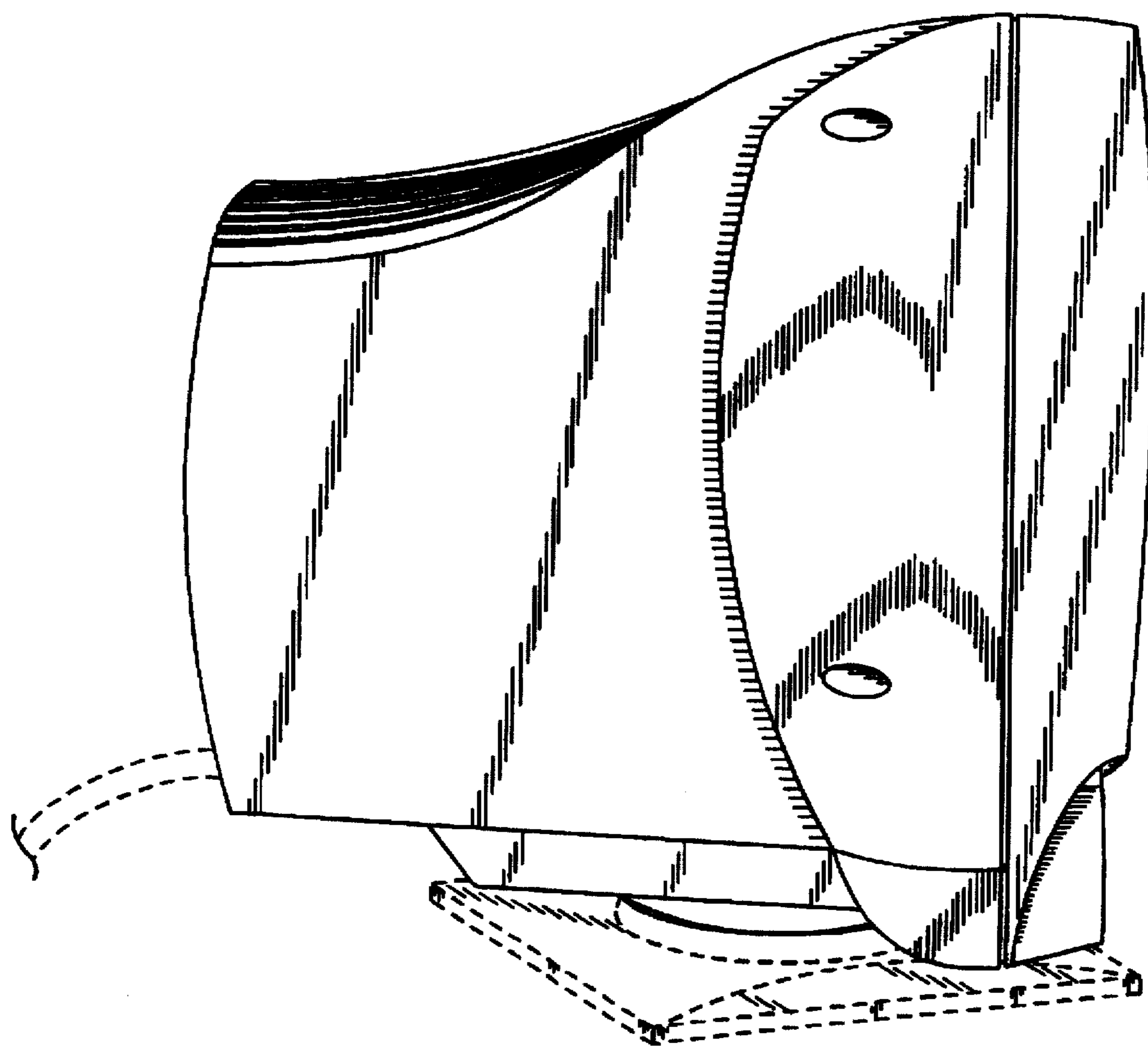


FIG.4

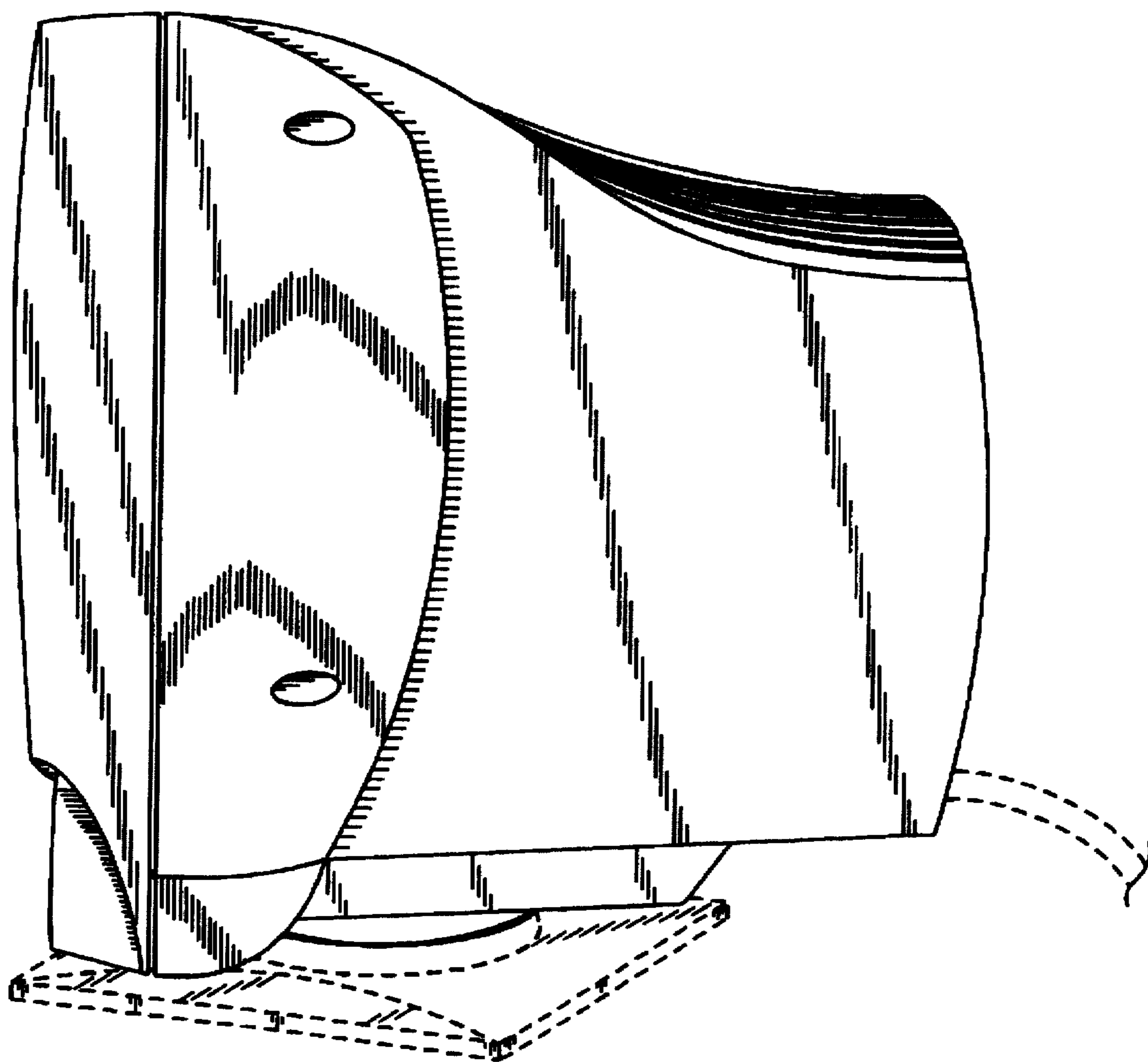


FIG.5

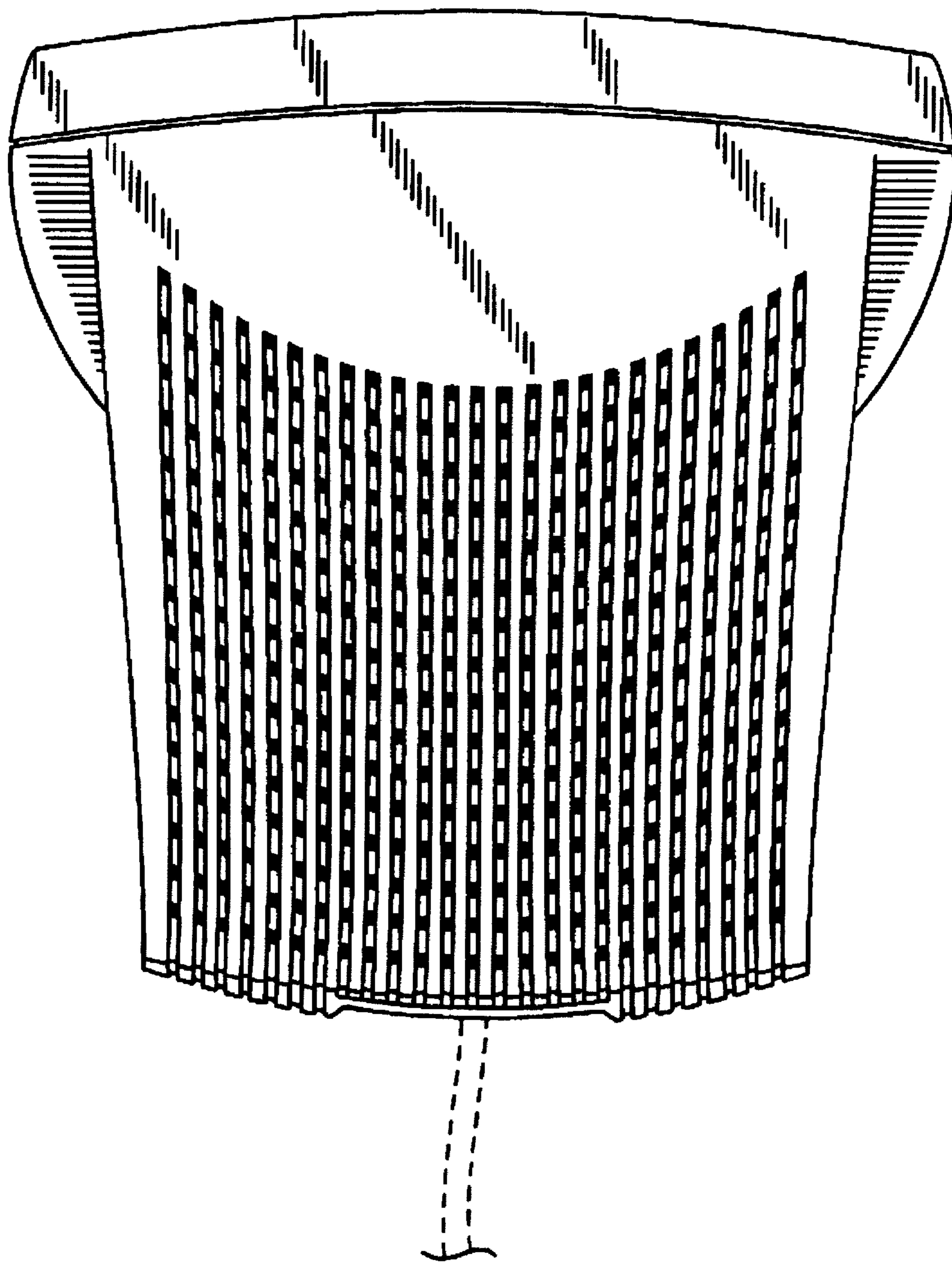


FIG. 6

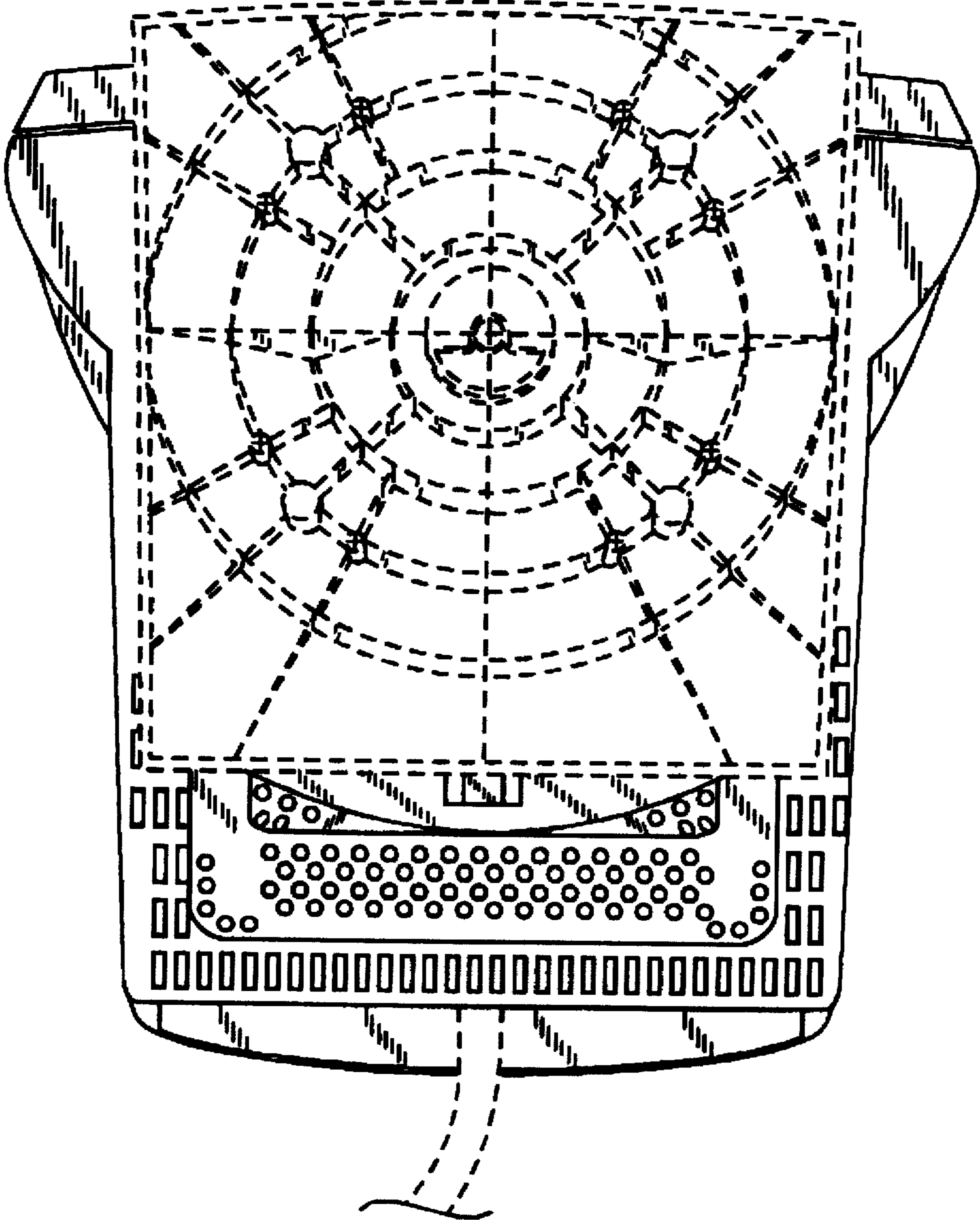


FIG.7