



US00D388408S

United States Patent [19]

Takemasa et al.

[11] Patent Number: **Des. 388,408**

[45] Date of Patent: ****Dec. 30, 1997**

[54] **COMPUTER DISPLAY**

[75] Inventors: **Hirofumi Takemasa, Osaka; Shigeo Usui, Kyoto, both of Japan**

[73] Assignee: **Matsushita Electric Industrial Co., Ltd., Osaka, Japan**

[**] Term: **14 Years**

[21] Appl. No.: **62,197**

[22] Filed: **Nov. 8, 1996**

[30] **Foreign Application Priority Data**

May 9, 1996 [JP] Japan 8-13546

[51] LOC (6) CL **14-02**

[52] U.S. Cl. **D14/113; D14/126**

[58] Field of Search **D14/100, 101, D14/106, 113, 124-129; 248/917-924; 345/104, 133, 156, 168, 87, 173, 901-905**

[56] **References Cited**

U.S. PATENT DOCUMENTS

- D. 340,922 11/1993 Barbera D14/113
- D. 347,001 5/1994 Lee D14/113

- D. 355,174 2/1995 Liao D14/113
- D. 355,413 2/1995 Masunari D14/113
- D. 364,607 11/1995 Backs D14/113
- D. 364,608 11/1995 Nakada D14/113

FOREIGN PATENT DOCUMENTS

- D. 887589 1/1994 Japan .
- D. 855355 2/1994 Japan .

Primary Examiner—Freda Nunn
Attorney, Agent, or Firm—Sughrue, Mion, Zinn, Macpeak & Seas, PLLC

[57] **CLAIM**

The ornamental design for a computer display, as shown and described.

DESCRIPTION

FIG. 1 is a perspective view of the top, front and right side of a computer display showing our new design; FIG. 2 is a front elevational view thereof; FIG. 3 is a top plan view thereof; FIG. 4 is a right side elevational view thereof, the left side elevational view being a mirror image thereof; FIG. 5 is a rear elevational view thereof; and, FIG. 6 is a bottom plan view thereof.

1 Claim, 3 Drawing Sheets

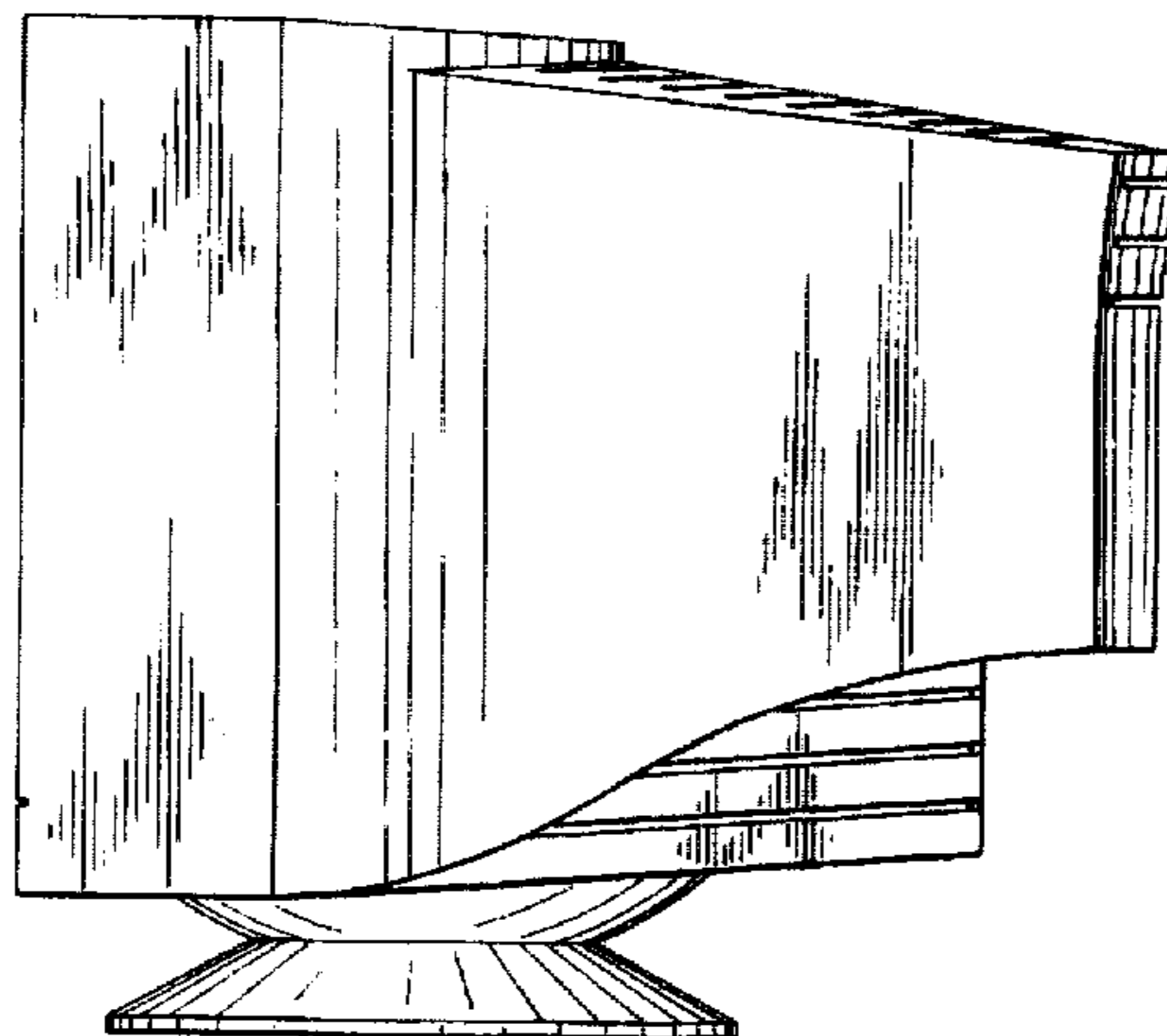
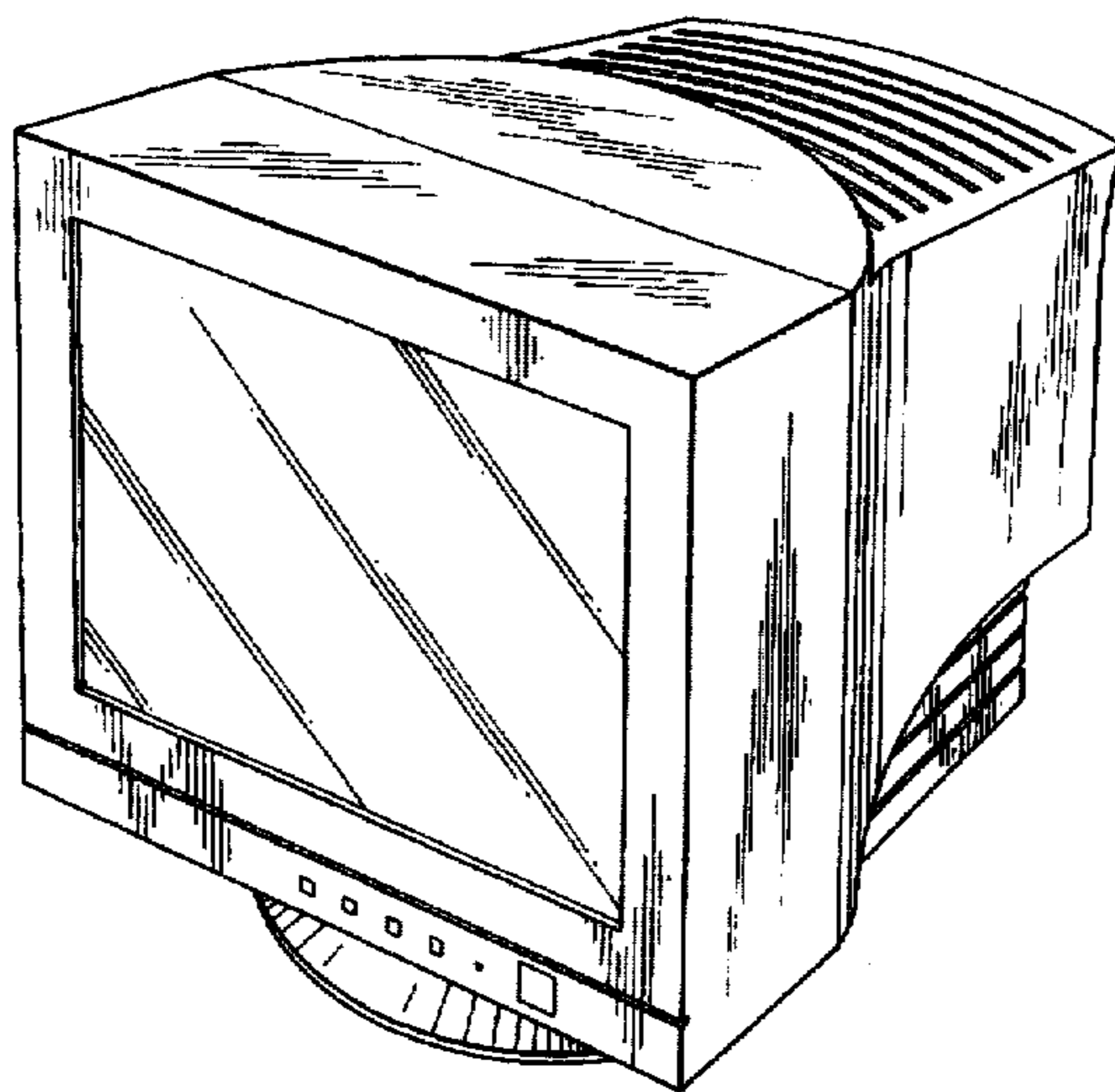


FIG. 1

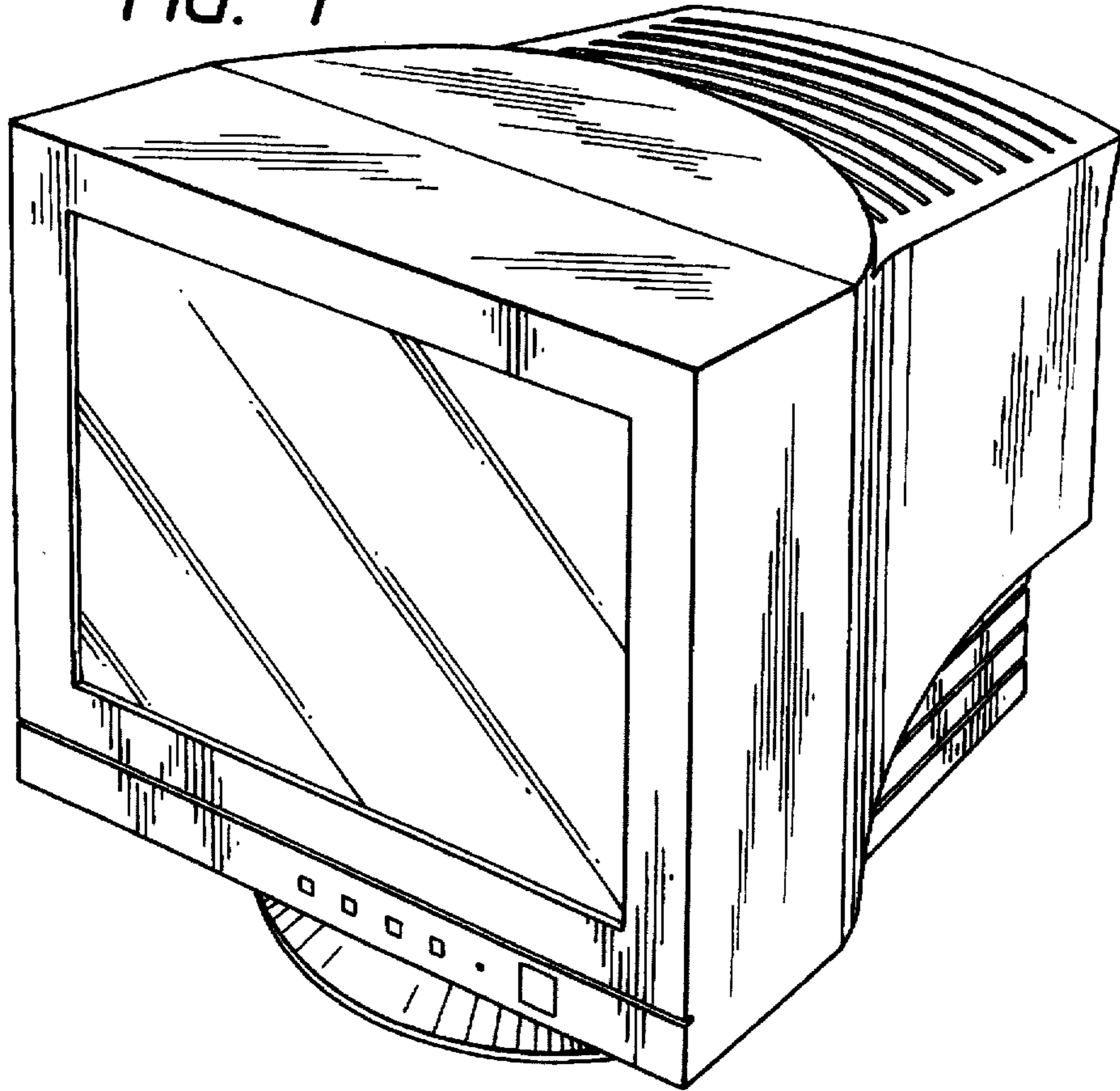


FIG. 2

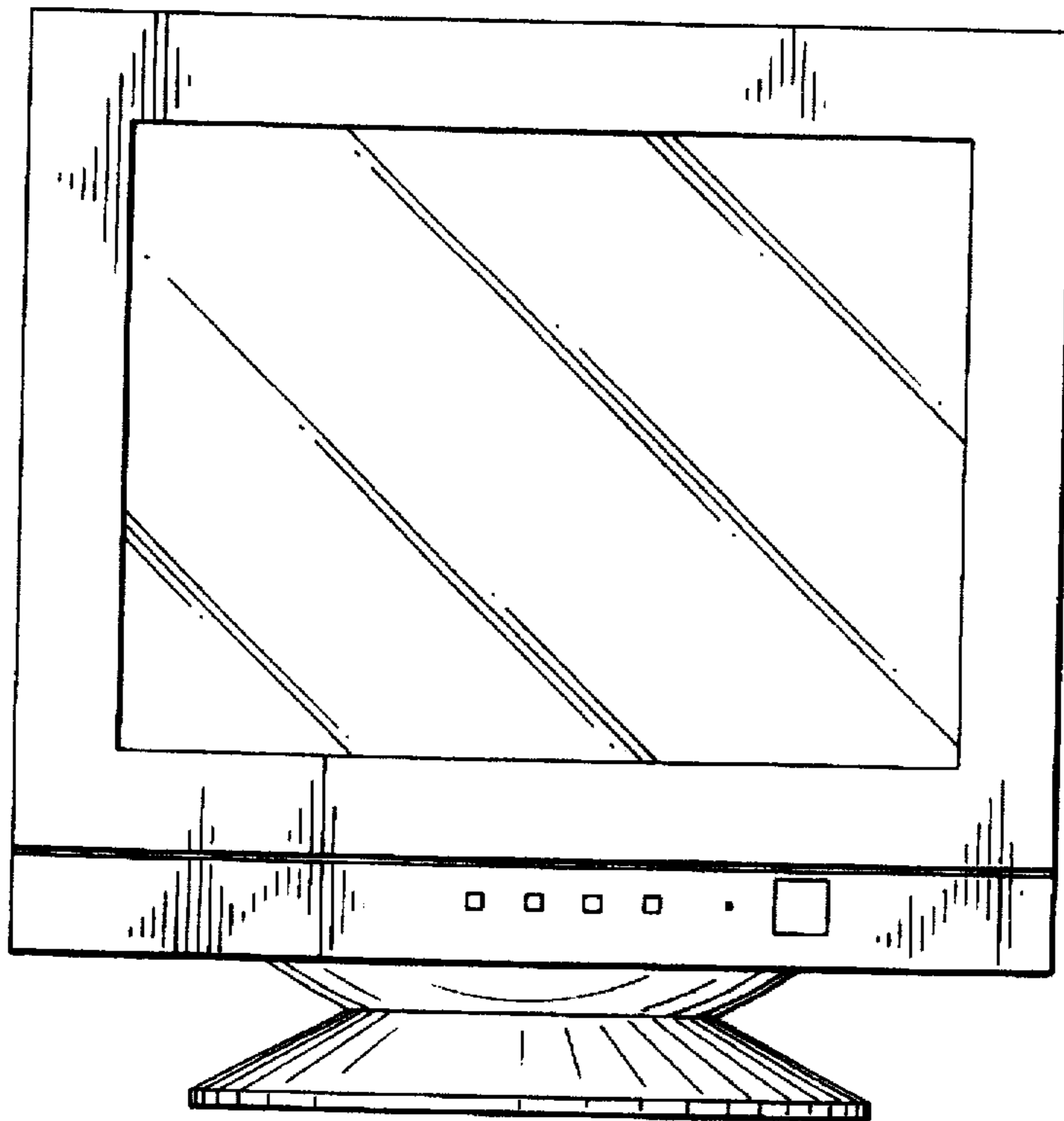


FIG. 3

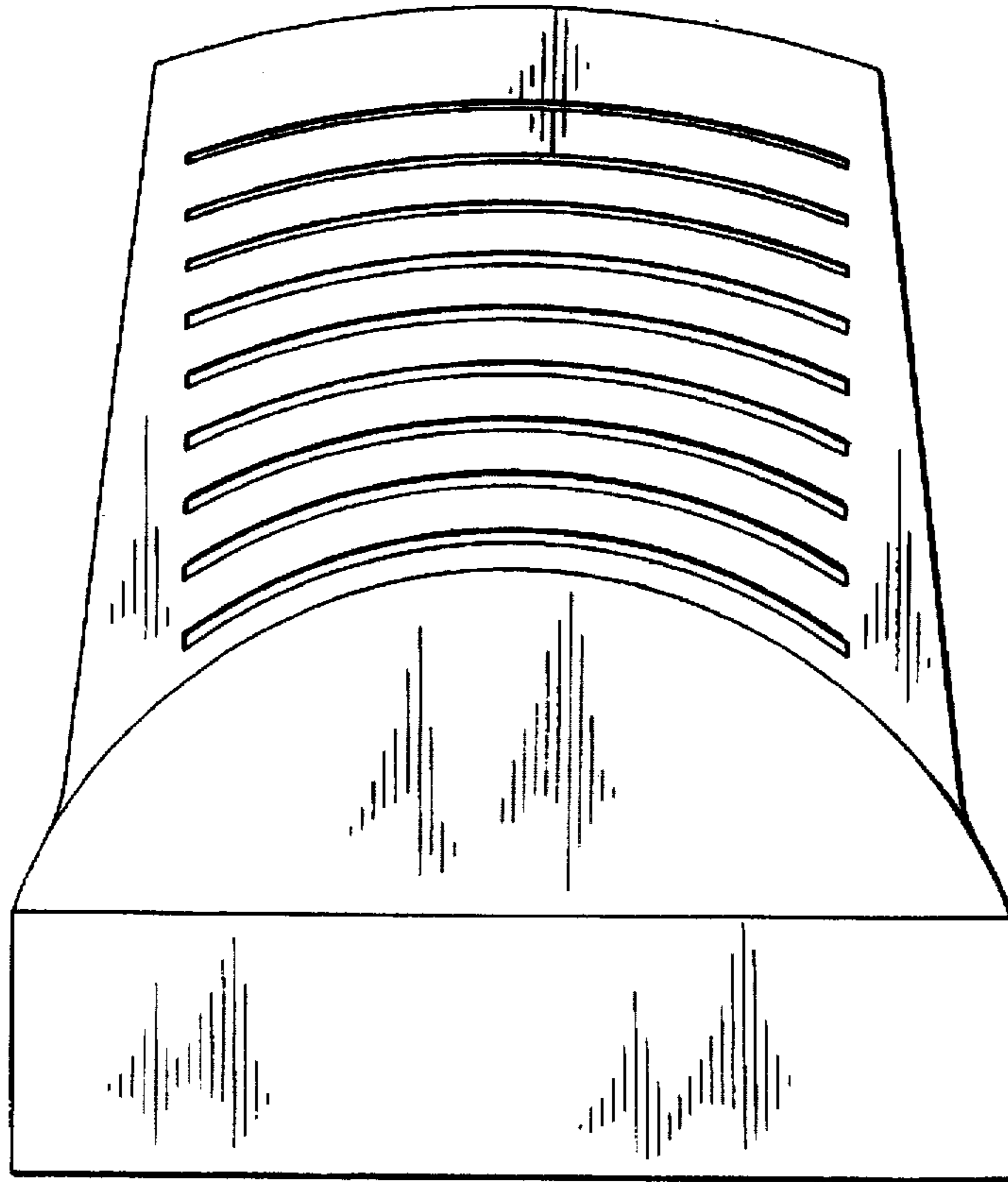


FIG. 4

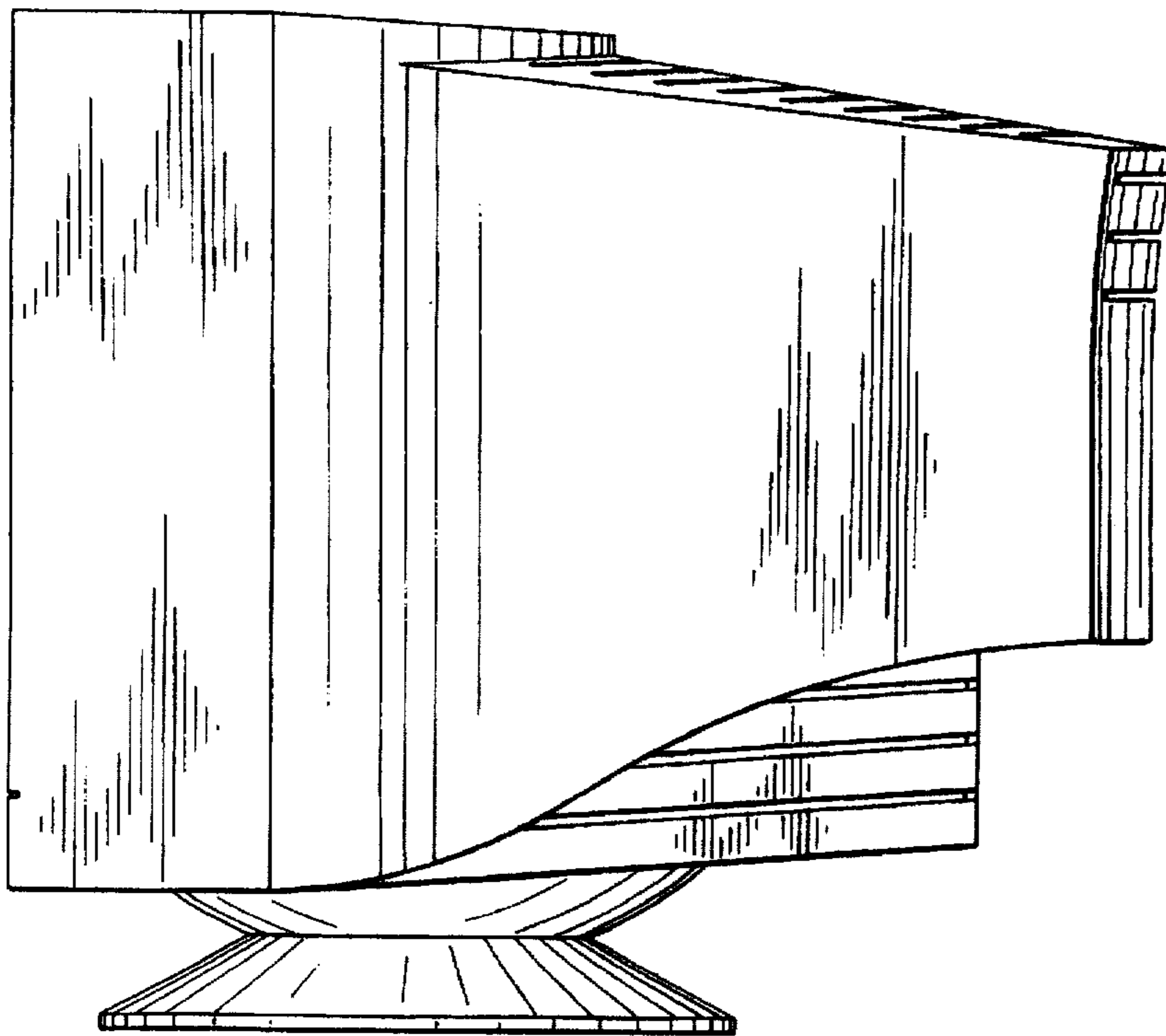


FIG. 5

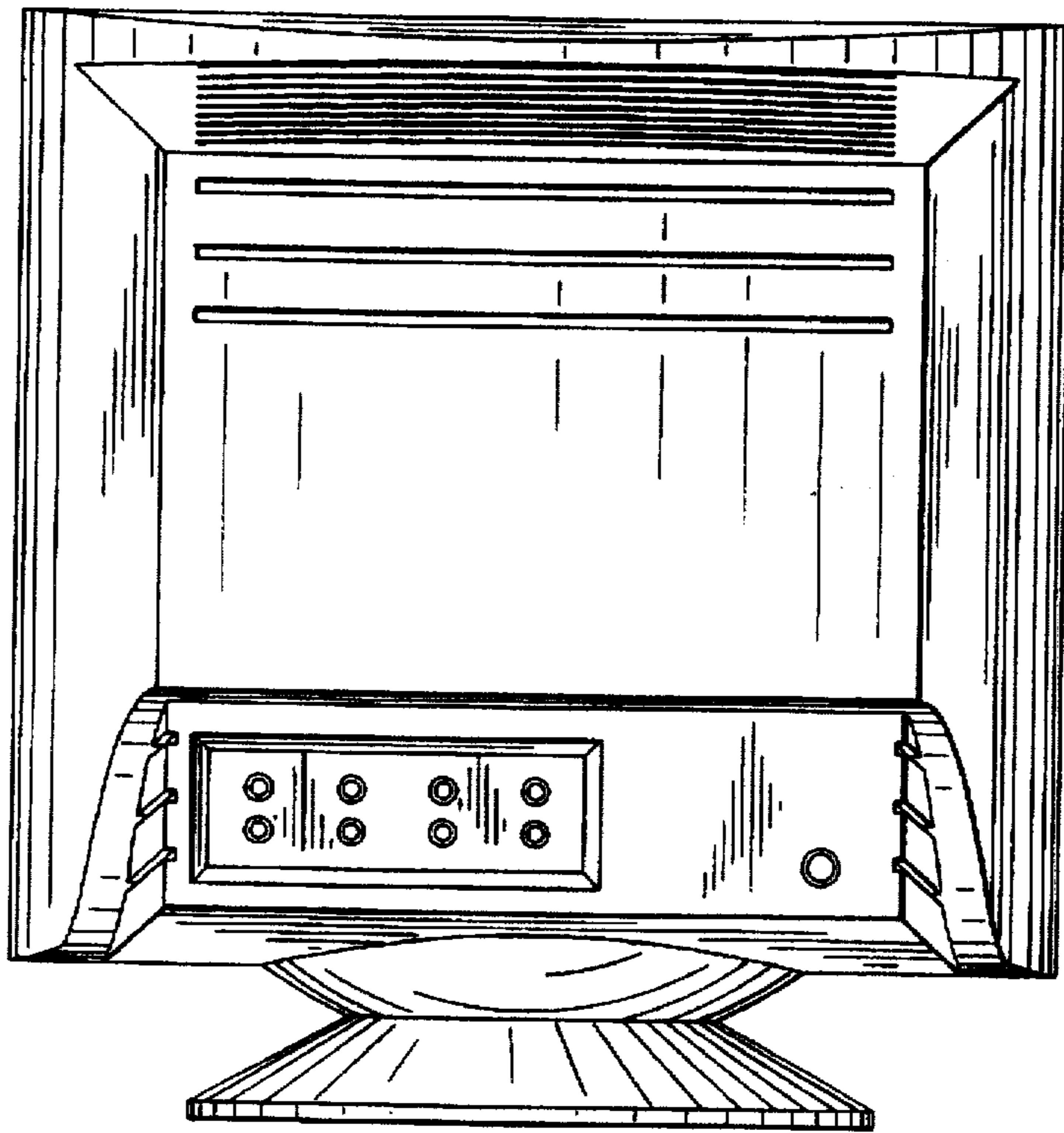


FIG. 6

