



US00D388407S

United States Patent [19]

Toulis et al.

[11] Patent Number: **Des. 388,407**

[45] Date of Patent: ****Dec. 30, 1997**

[54] **MONITOR FOR PERSONAL COMPUTERS**

D. 368,254 3/1996 Meschter et al. D14/100
D. 370,897 6/1996 Lin D14/113

[75] Inventors: **Tadeo Toulis**, N.Y., N.Y.; **Yves Behar**, San Francisco; **Peter Lee**, San Jose, both of Calif.

Primary Examiner—Freda Nunn

[73] Assignee: **Hewlett-Packard Company**, Palo Alto, Calif.

[57] **CLAIM**

[**] Term: **14 Years**

The ornamental design for a monitor for personal computers, as shown.

[21] Appl. No.: **56,410**

DESCRIPTION

[22] Filed: **Jun. 28, 1996**

FIG. 1 is a perspective view of a monitor for personal computers showing our new design;

[51] LOC (6) Cl. **14-02**

FIG. 2 is a front elevational view thereof;

[52] U.S. Cl. **D14/113; D14/126**

FIG. 3 is a rear elevational view thereof;

[58] **Field of Search** D14/100, 101, D14/106, 113, 124-129; 248/918-924; 345/104, 133, 156, 168, 173, 87

FIG. 4 is a right side elevational view thereof;

FIG. 5 is a left side elevational view thereof;

FIG. 6 is a top plan view thereof; and,

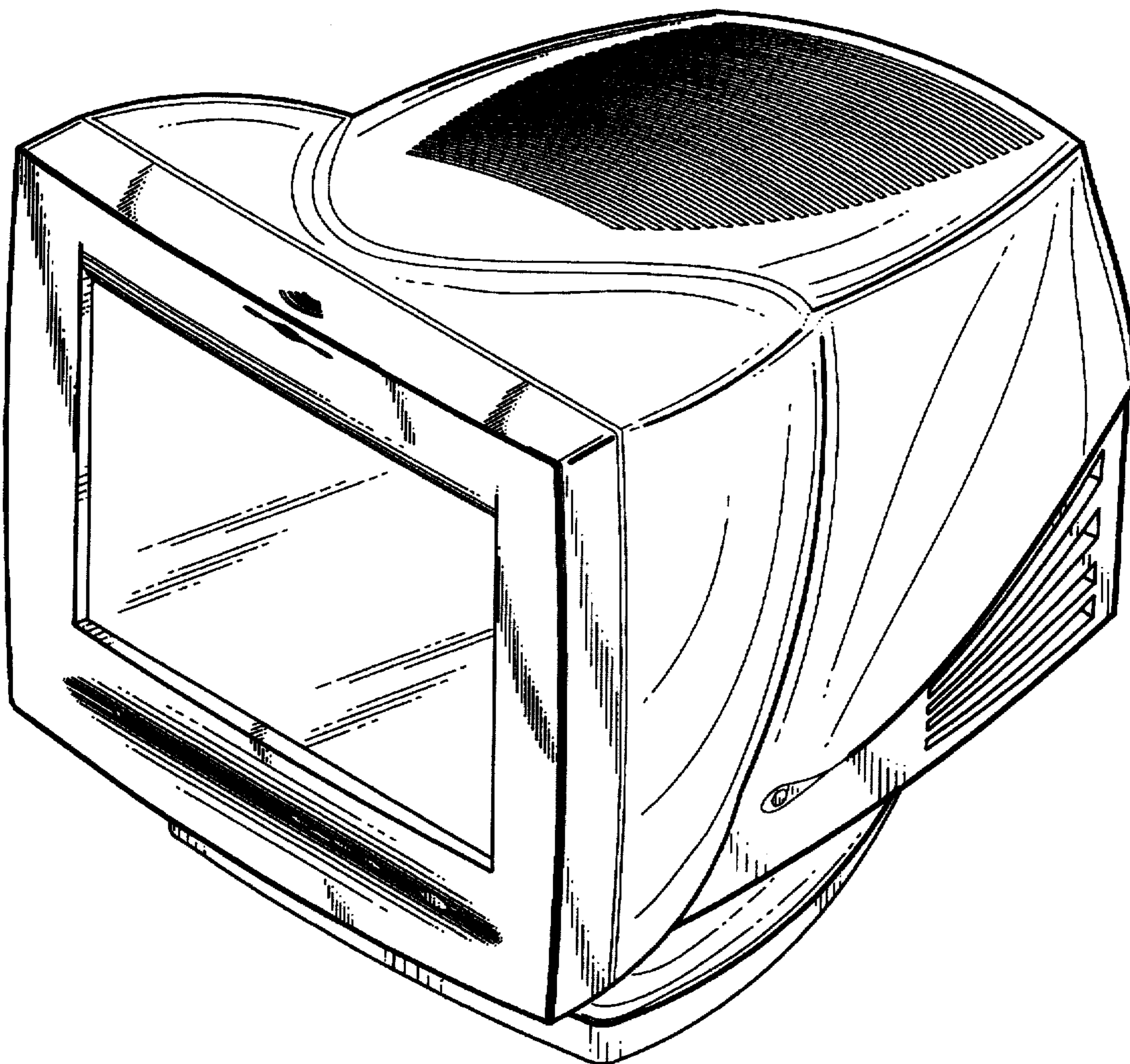
FIG. 7 is a bottom plan view thereof.

[56] **References Cited**

U.S. PATENT DOCUMENTS

D. 366,473 1/1996 Behar D14/113

1 Claim, 7 Drawing Sheets



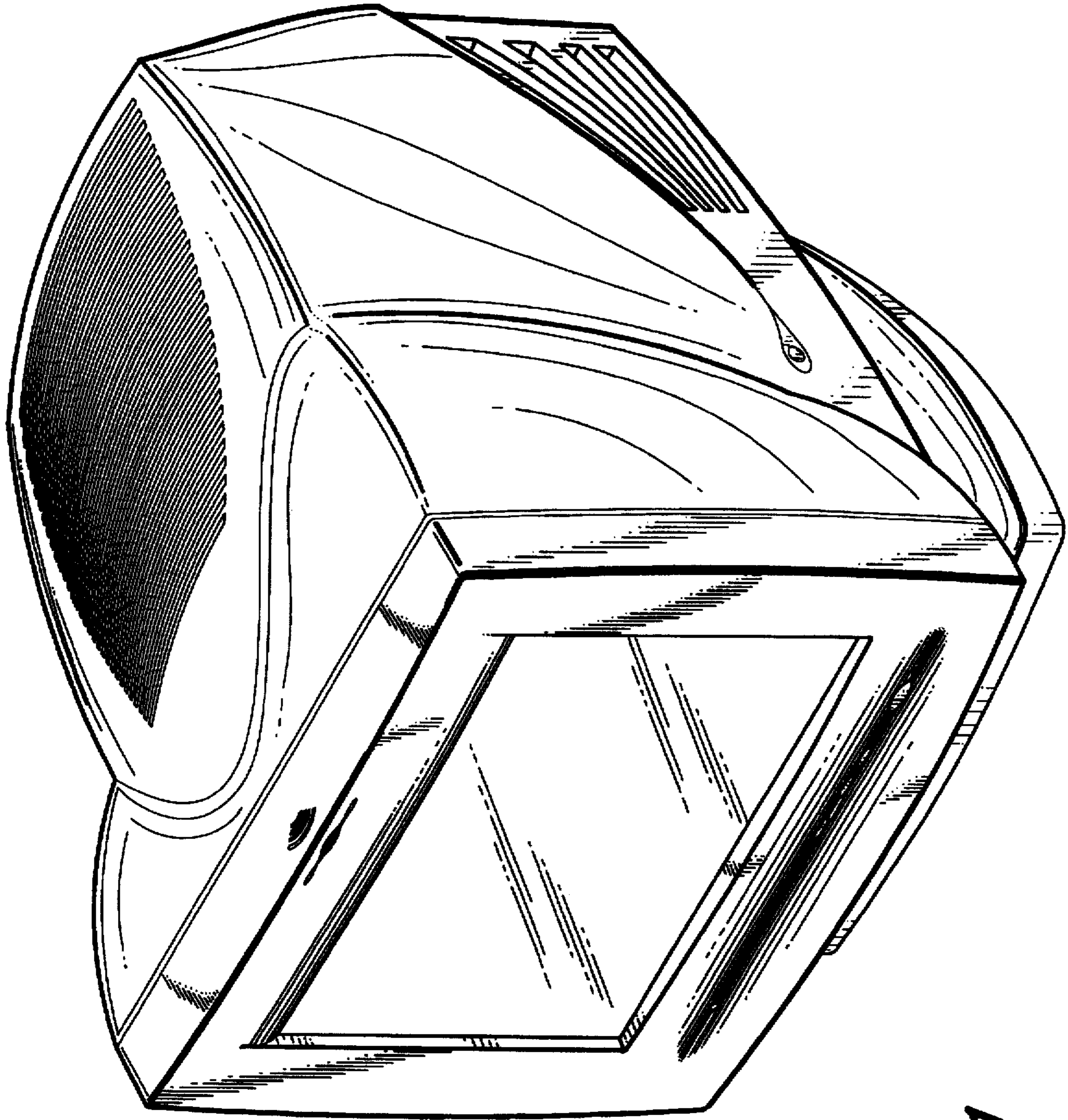


Figure 1

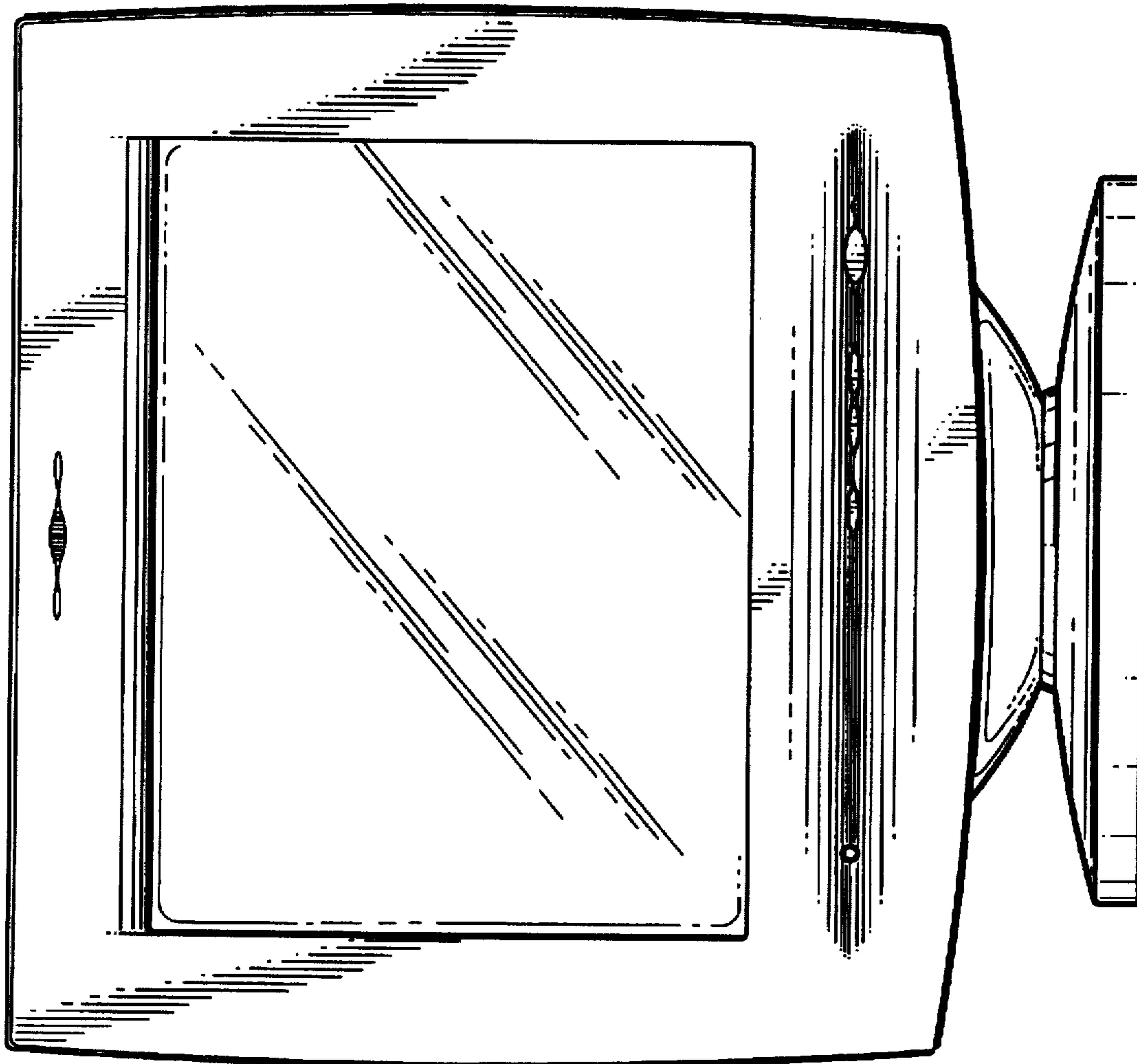


Figure 2

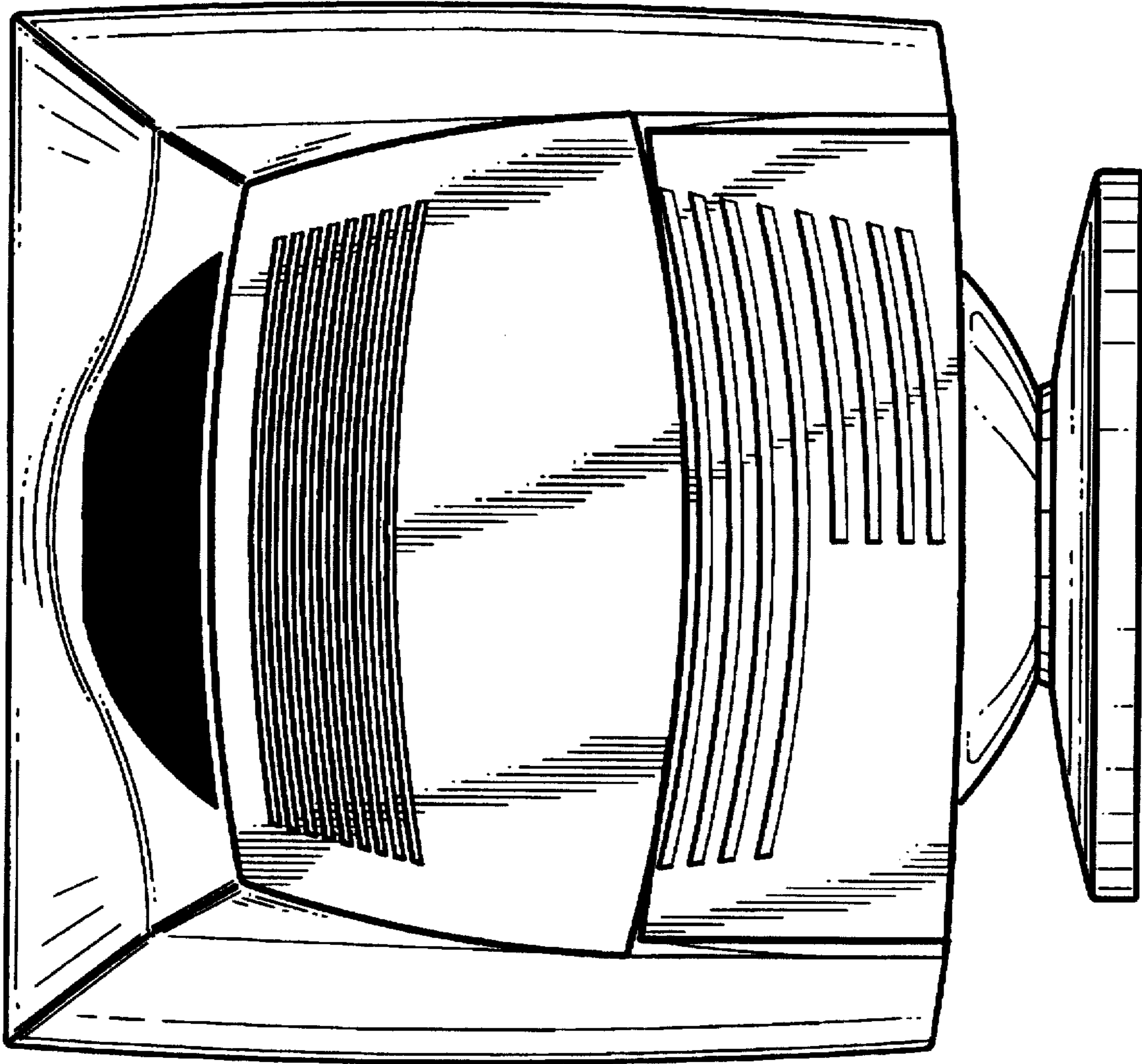


Figure 3

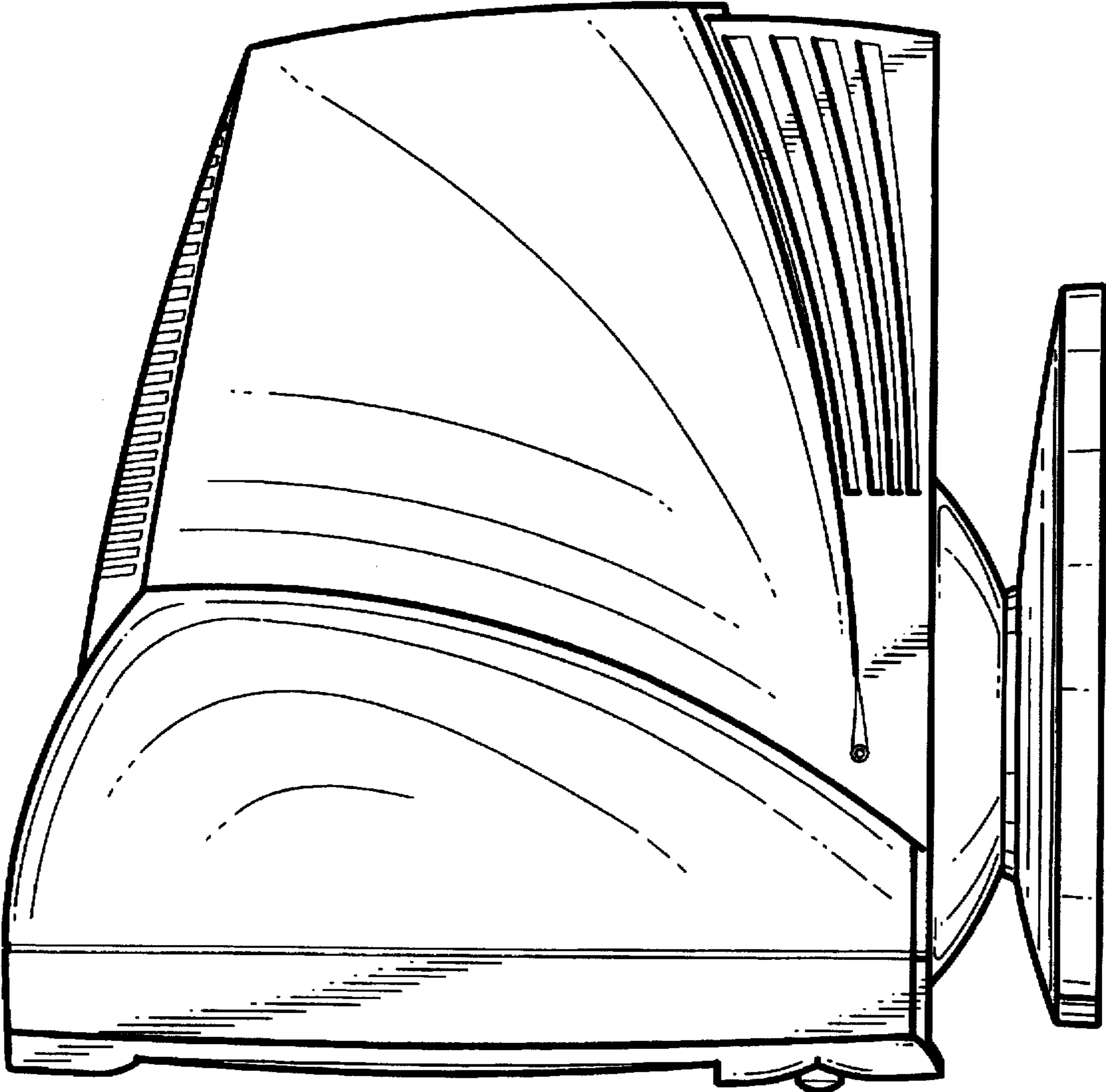


Figure 4

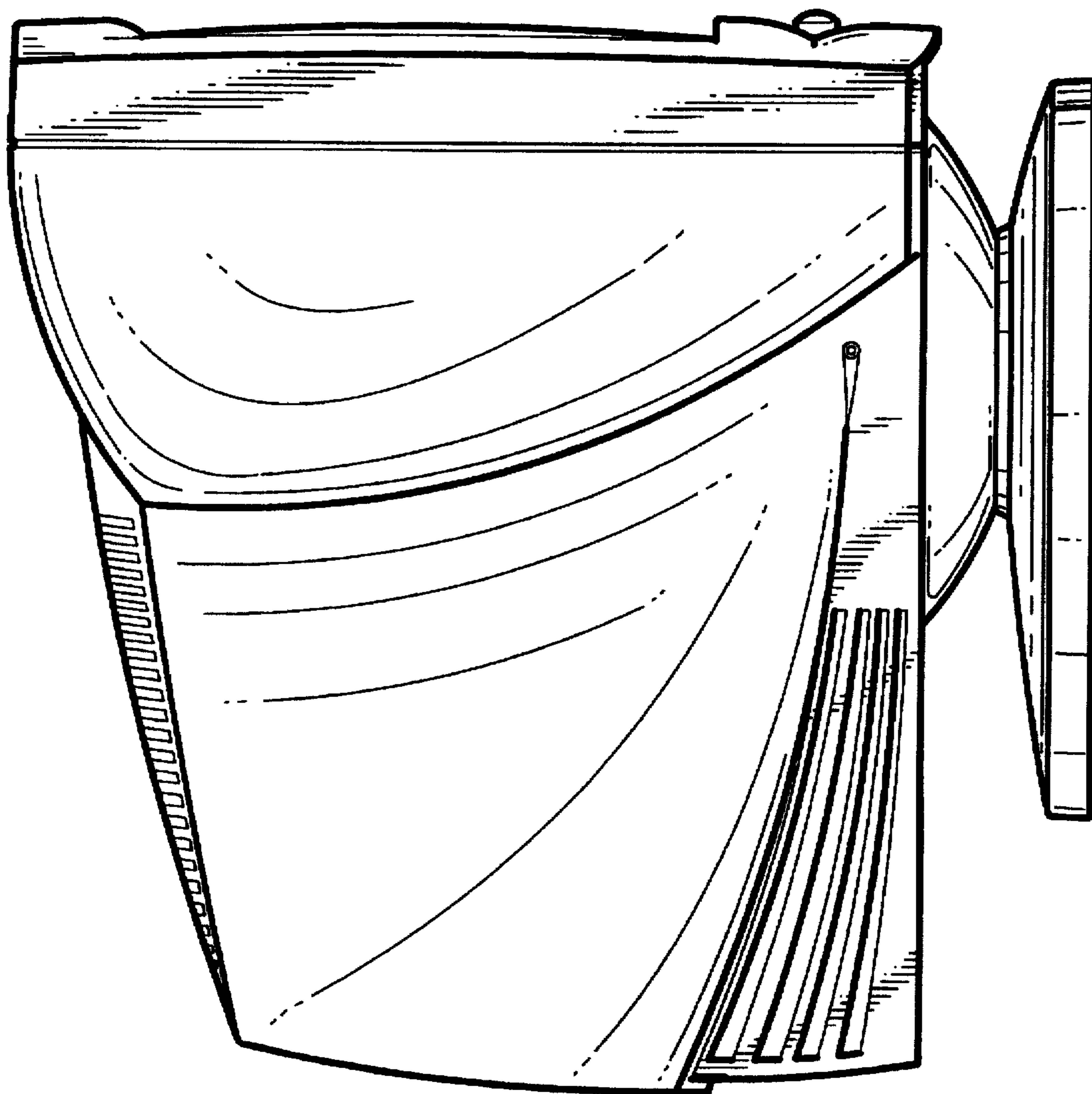


Figure 5

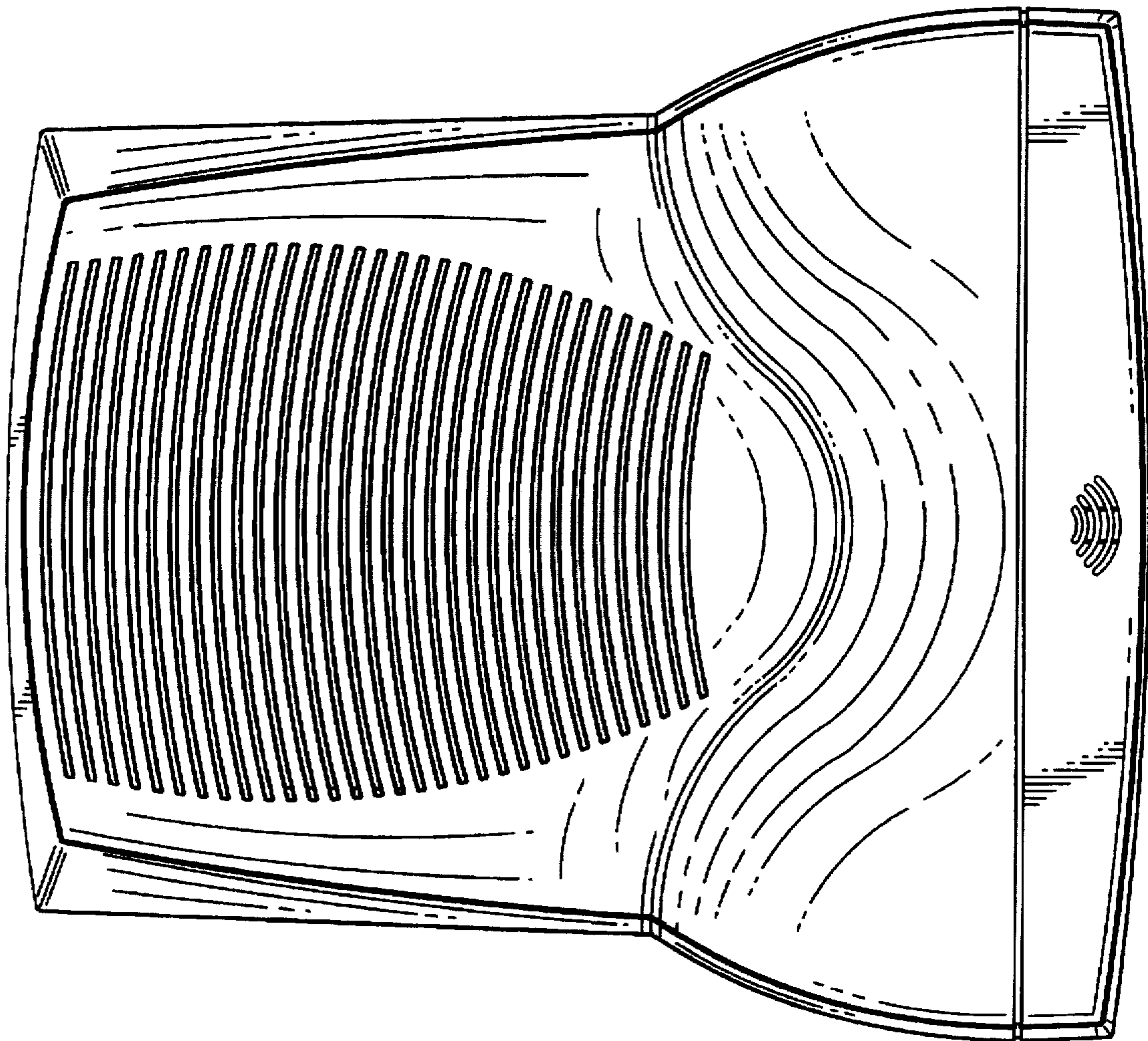


Figure 6

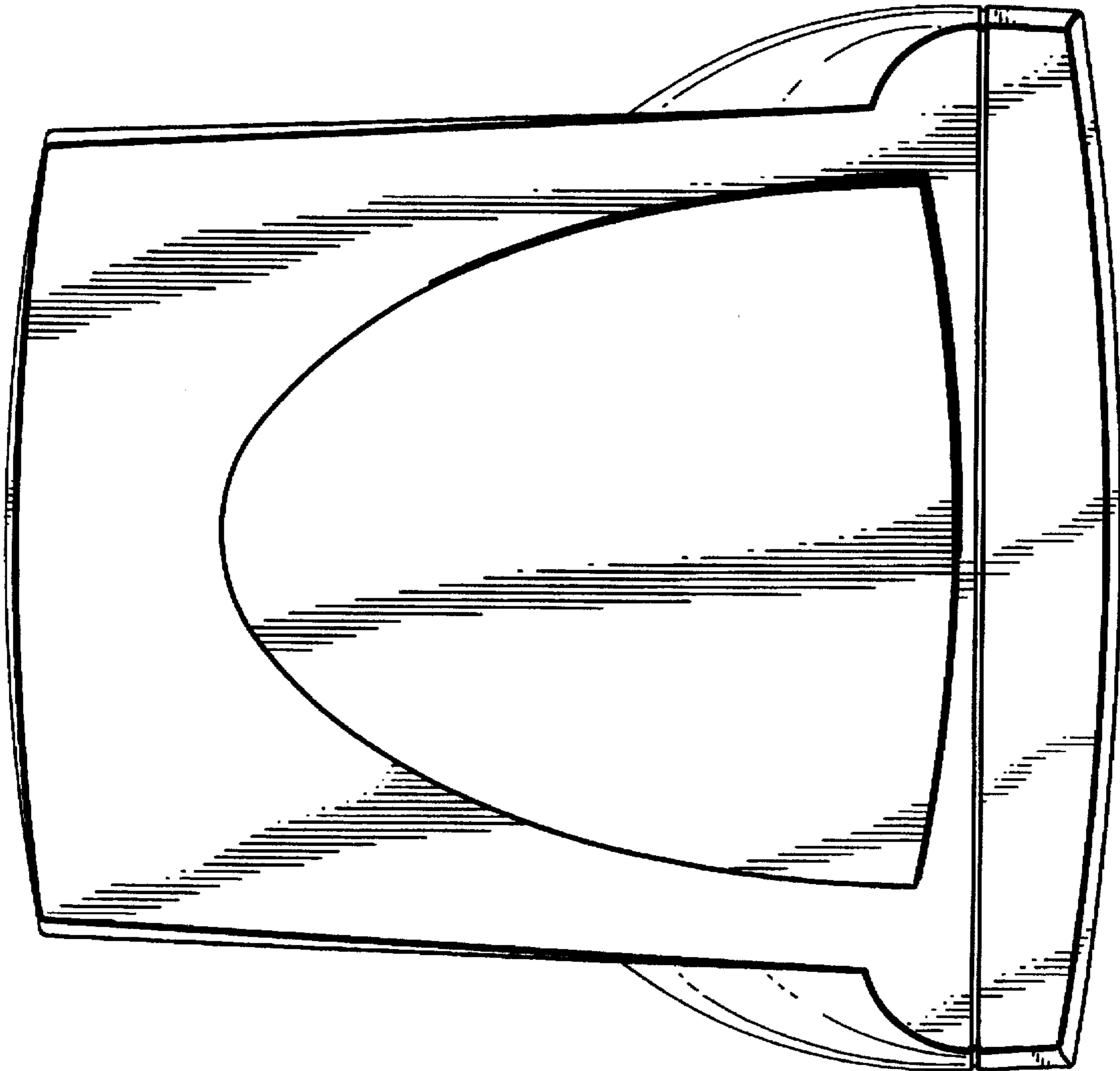


Figure 7