



US00D388406S

# United States Patent [19]

Hill et al.

[11] Patent Number: **Des. 388,406**

[45] Date of Patent: **\*\*Dec. 30, 1997**

[54] **DISK DRIVE FOR A DATA PROCESSING SYSTEM**

D. 357,005 4/1995 Sakai et al. .... D14/109

[75] Inventors: **David Wayne Hill; Tim Kerry Murphy**, both of Rochester, Minn.

*Primary Examiner*—Freda Nunn  
*Attorney, Agent, or Firm*—Matthew J. Bussan

[73] Assignee: **International Business Machines Corporation**, Armonk, N.Y.

[57] **CLAIM**

The ornamental design for a disk drive for a data processing system, as shown and described.

[\*\*] Term: **14 Years**

**DESCRIPTION**

[21] Appl. No.: **38,297**

FIG. 1 is a top, front, right side isometric view of a disk drive for a data processing system, showing our new design;

[22] Filed: **May 1, 1995**

FIG. 2 is a front elevational view thereof;

[51] LOC (6) Cl. .... **14-02**

FIG. 3 is a top plan view thereof;

[52] U.S. Cl. .... **D14/109**

FIG. 4 is a right side elevational view thereof, the left side being identical;

[58] **Field of Search** .... D14/100, 102, D14/107-109; D13/162, 184, 199; 312/208.1; 360/98.01; 361/694

FIG. 5 is a bottom plan view thereof; and,

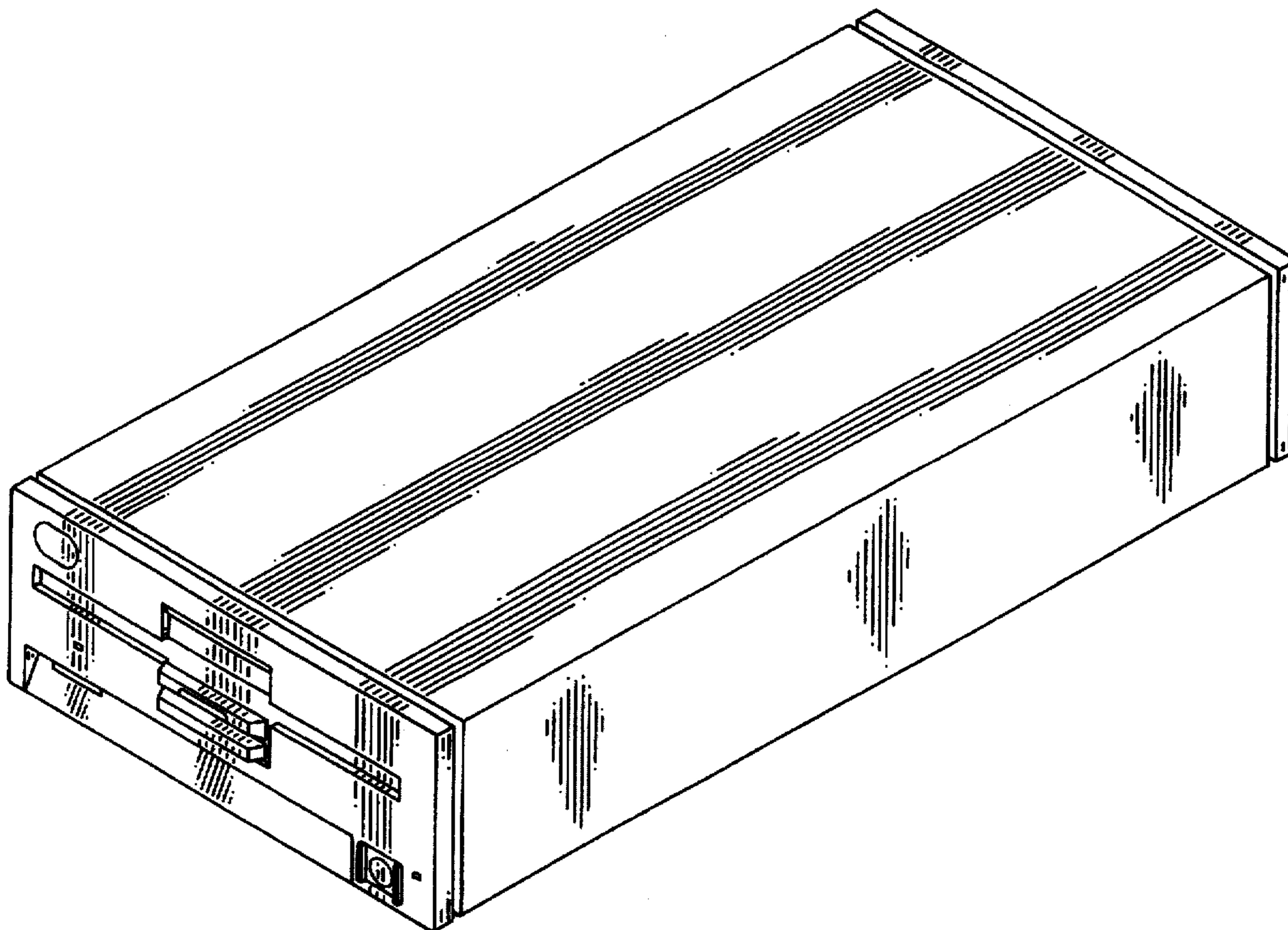
FIG. 6 is a rear elevational view thereof.

[56] **References Cited**

**U.S. PATENT DOCUMENTS**

D. 342,061 12/1993 Ogura et al. .... D14/109

**1 Claim, 6 Drawing Sheets**



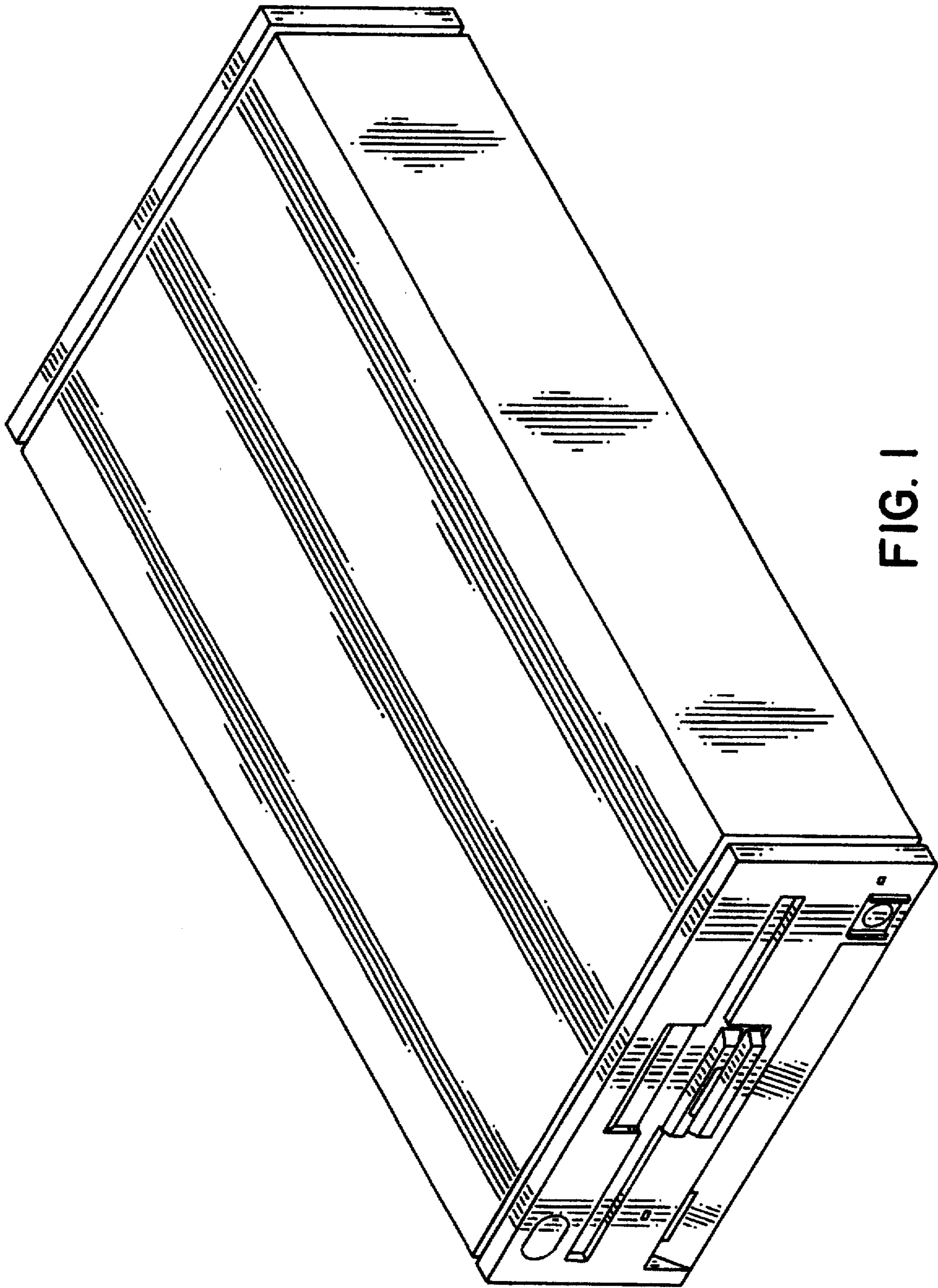


FIG. 1

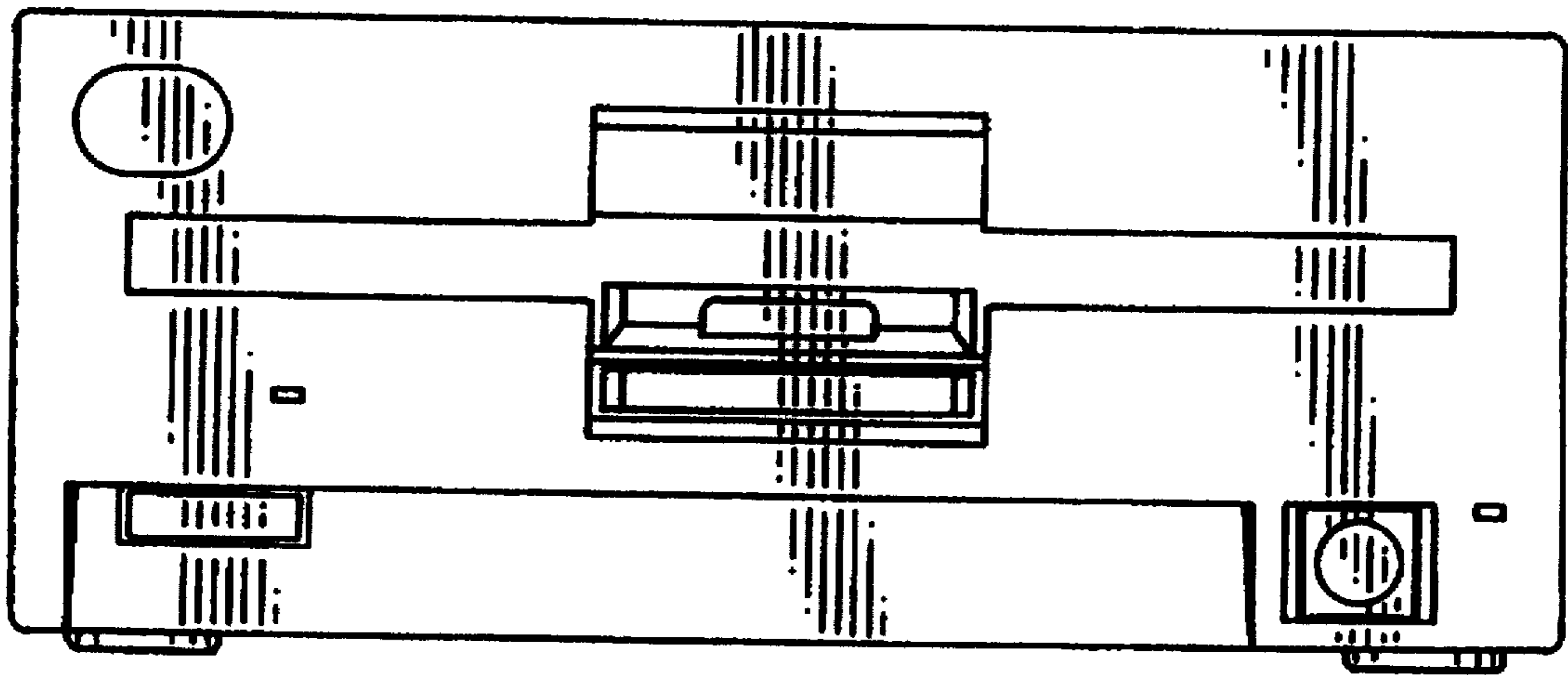


FIG. 2

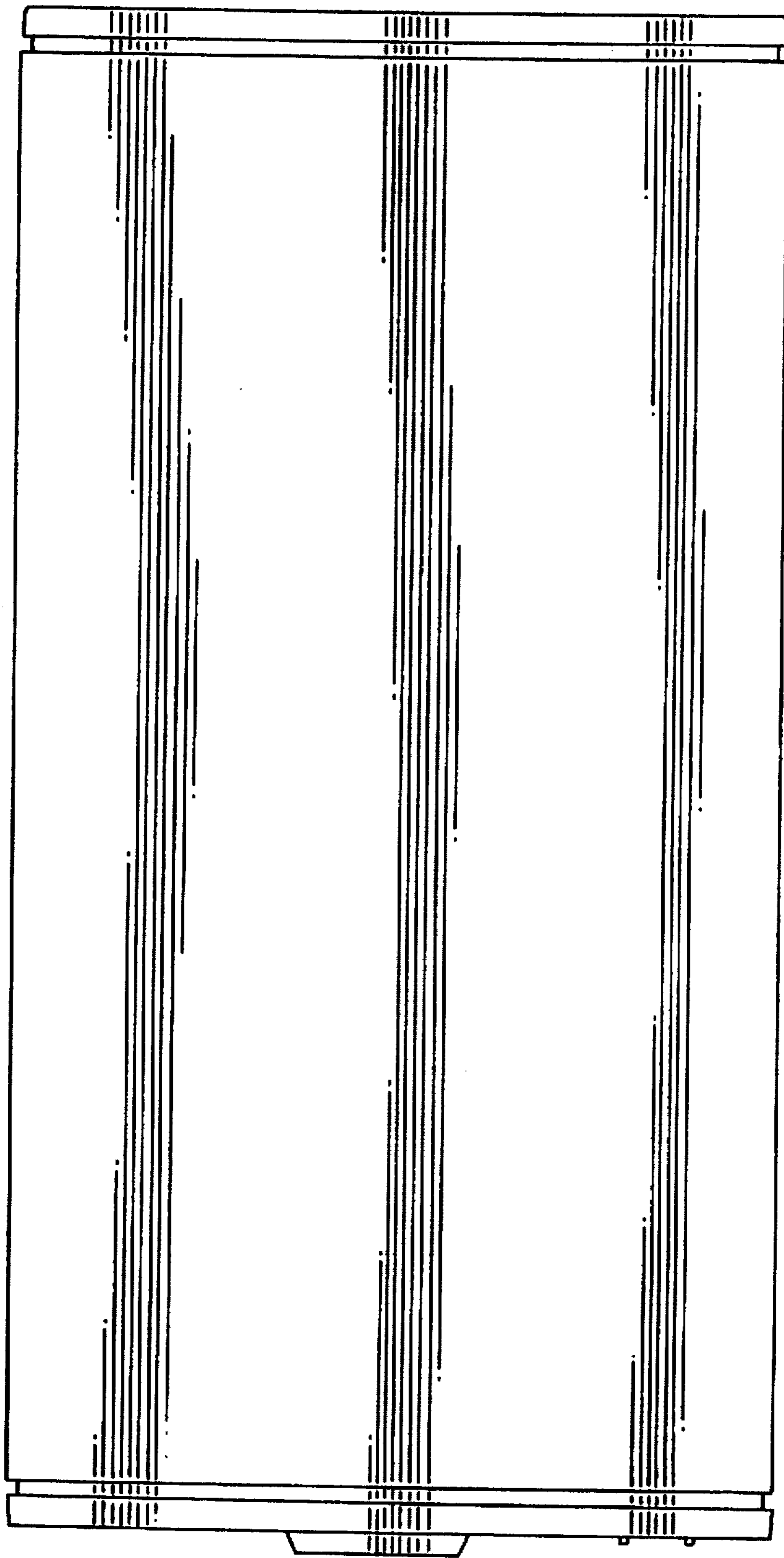


FIG. 3

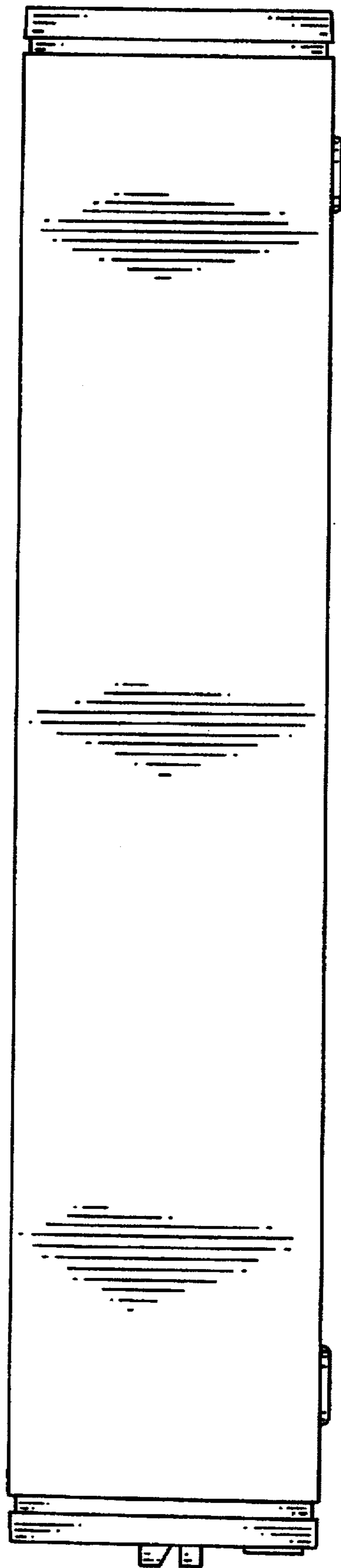


FIG. 4

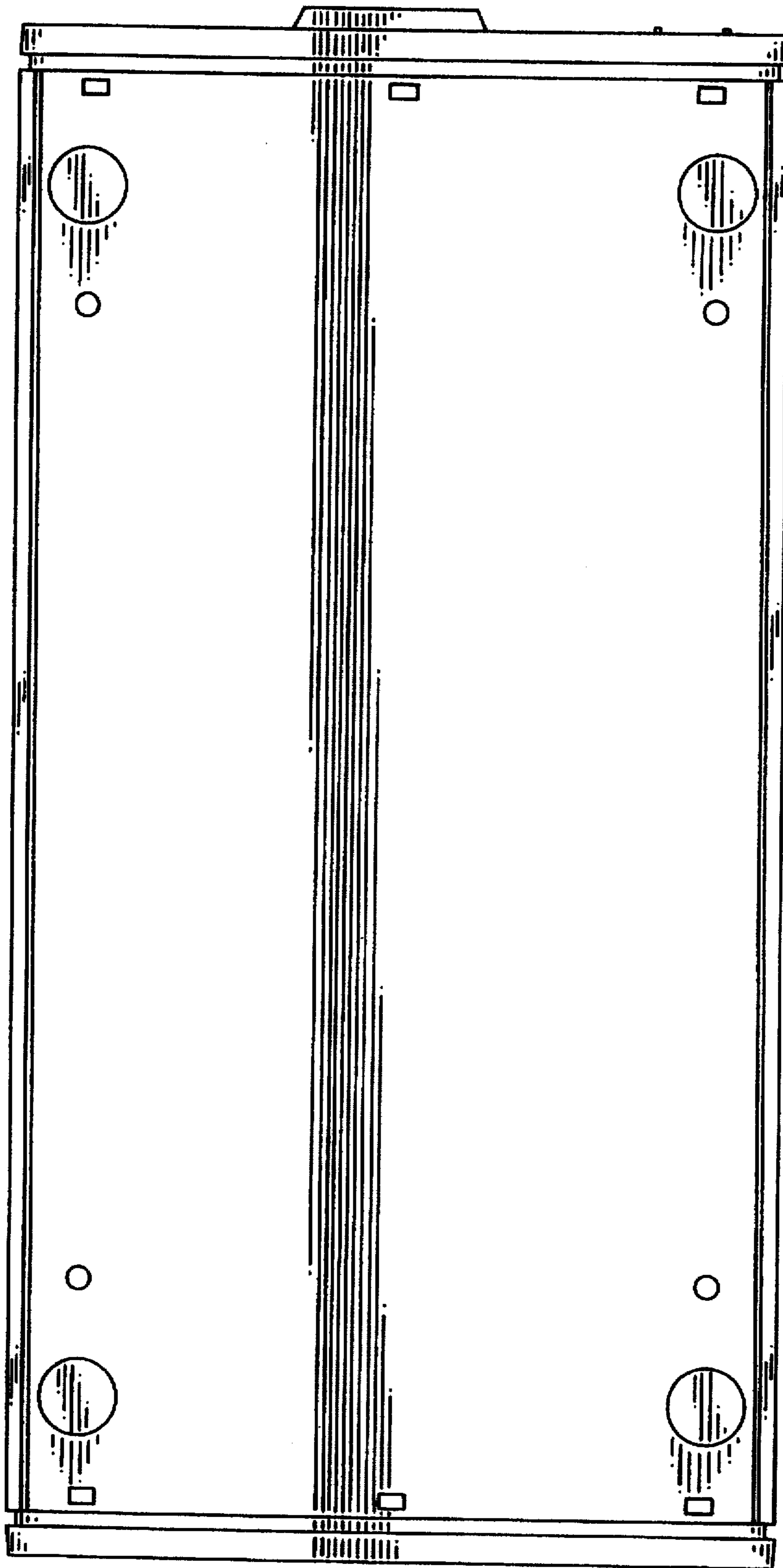


FIG. 5

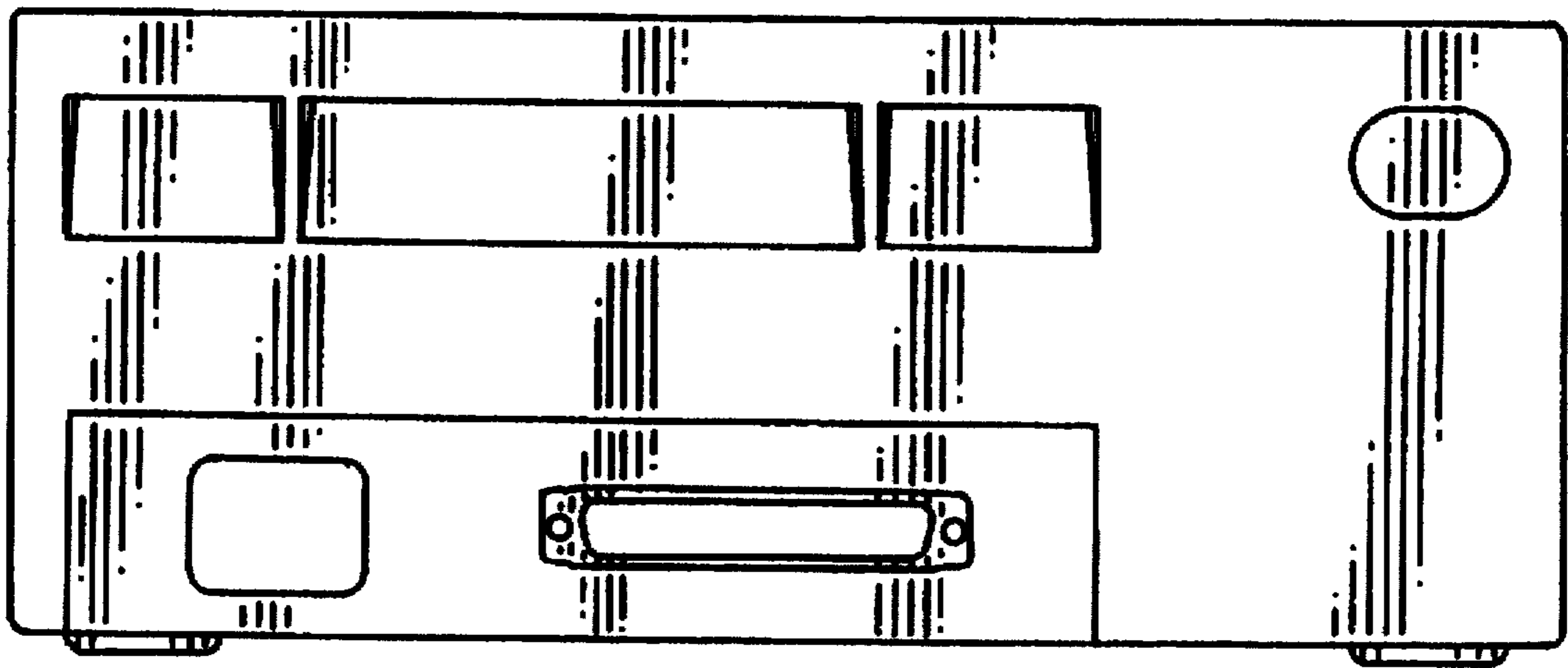


FIG. 6