



US00D388405S

United States Patent [19] Lin

[11] Patent Number: **Des. 388,405**
[45] Date of Patent: ****Dec. 30, 1997**

[54] **SCANNER**

[75] Inventor: **Art Lin, Taipei, Taiwan**

[73] Assignee: **Silitek Corporation, Taipei, Taiwan**

[**] Term: **14 Years**

[21] Appl. No.: **61,320**

[22] Filed: **Oct. 21, 1996**

[51] LOC (6) Cl. **14-02**

[52] U.S. Cl. **D14/107; D18/50**

[58] Field of Search **D14/100, 105,
D14/107, 118; D18/36, 40, 54; D16/208,
214, 223, 232, 202; 250/556; 235/454,
462, 470, 380, 382, 472, 382.5, 476, 482,
483**

[56] **References Cited**

U.S. PATENT DOCUMENTS

D. 349,922 8/1994 Tashiro **D18/54 X**

D. 369,148 4/1996 Chen et al. **D14/107**
D. 372,467 8/1996 Lee **D14/107**
D. 372,902 8/1996 Yu **D14/107**

Primary Examiner—Freda Nunn
Attorney, Agent, or Firm—Beveridge, DeGrandi, Weilacher
& Young, LLP

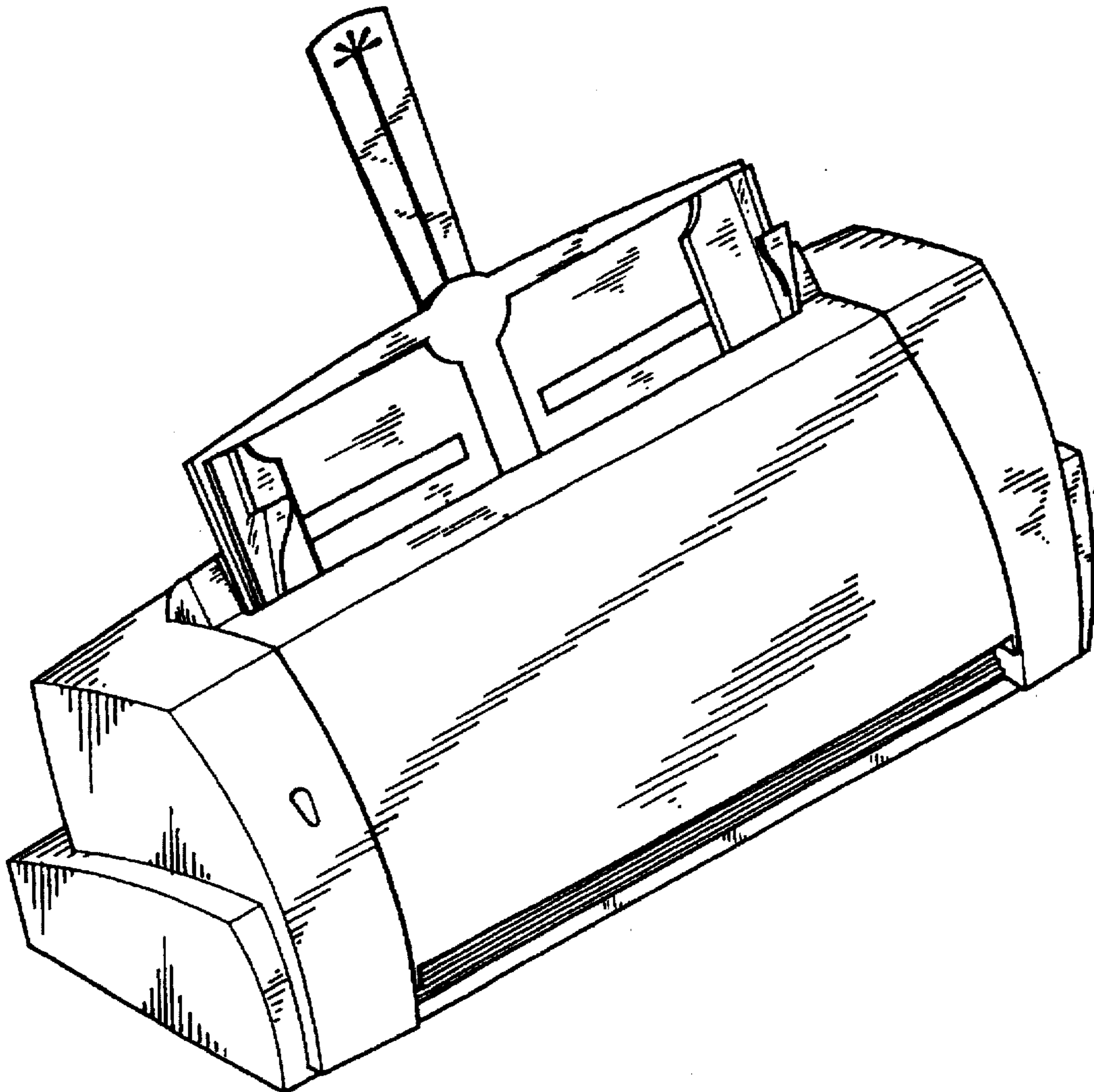
[57] **CLAIM**

The ornamental design for a scanner, as shown and described.

DESCRIPTION

FIG. 1 is the perspective view of a "scanner" showing my new design;
FIG. 2 is the front elevational view thereof;
FIG. 3 is the rear elevational view thereof;
FIG. 4 is the left side elevational view thereof;
FIG. 5 is the right side elevational view thereof;
FIG. 6 is the top plan view thereof; and,
FIG. 7 is the bottom plan view thereof.

1 Claim, 4 Drawing Sheets



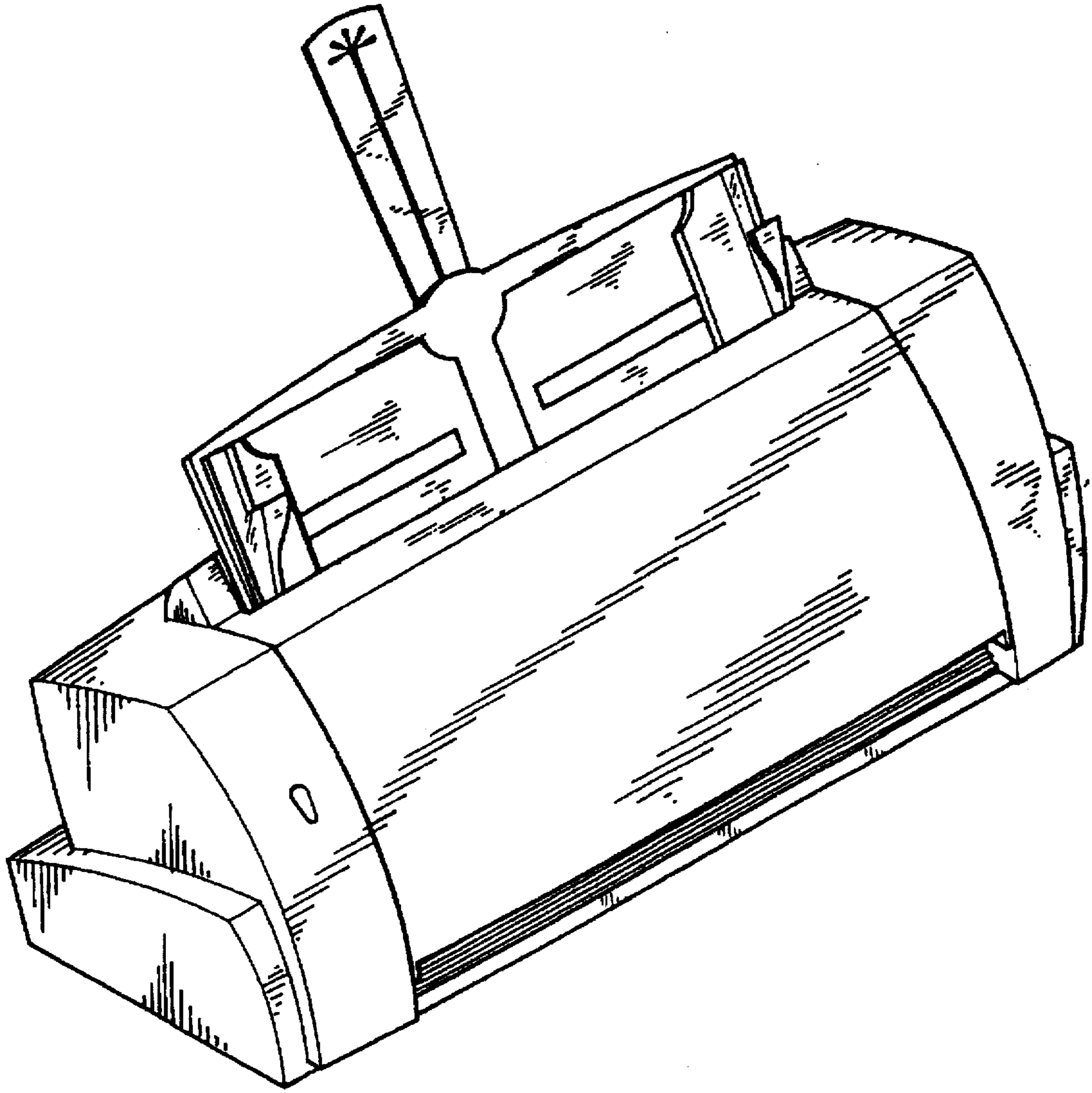


FIG. 1

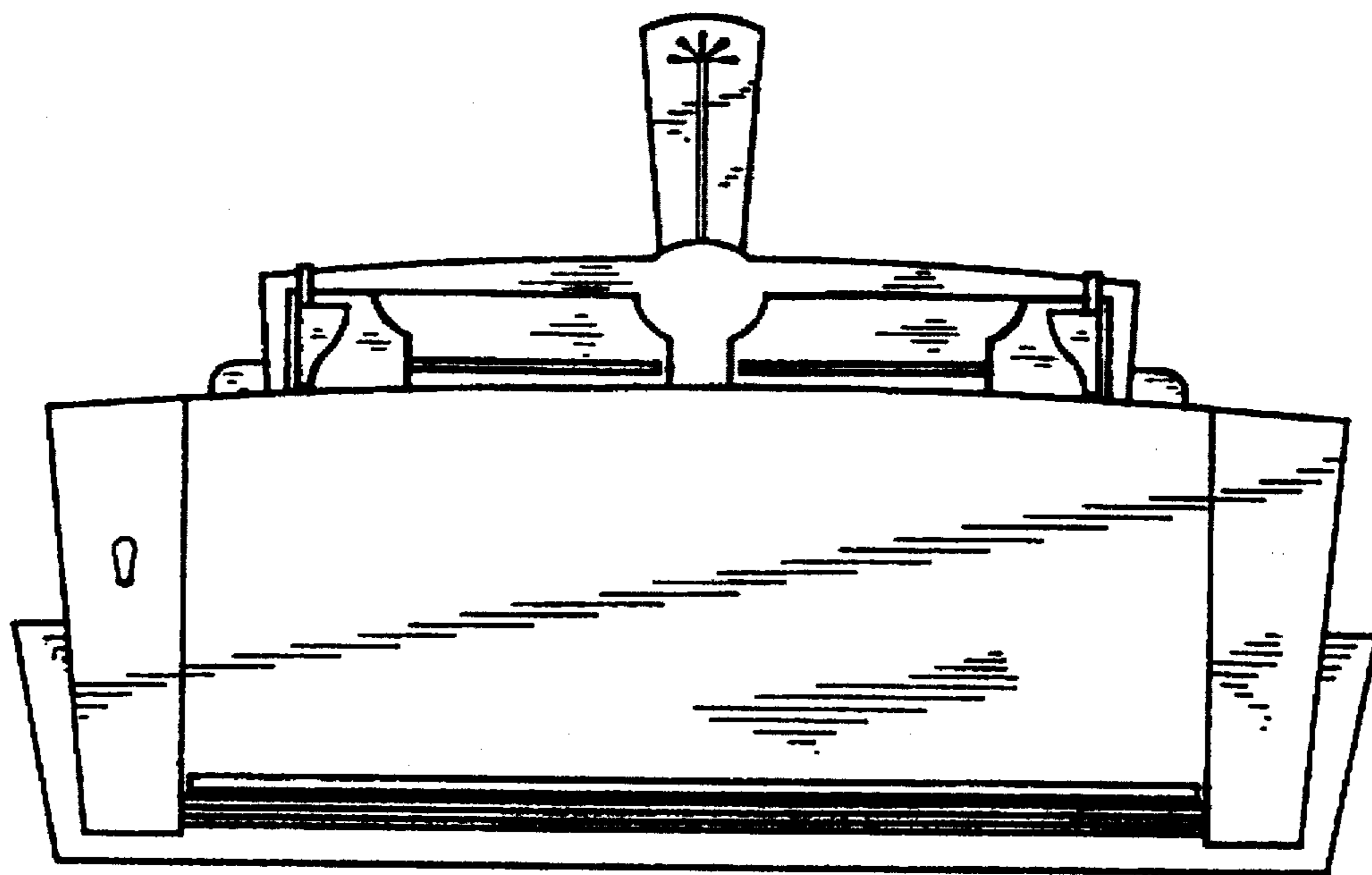


FIG. 2

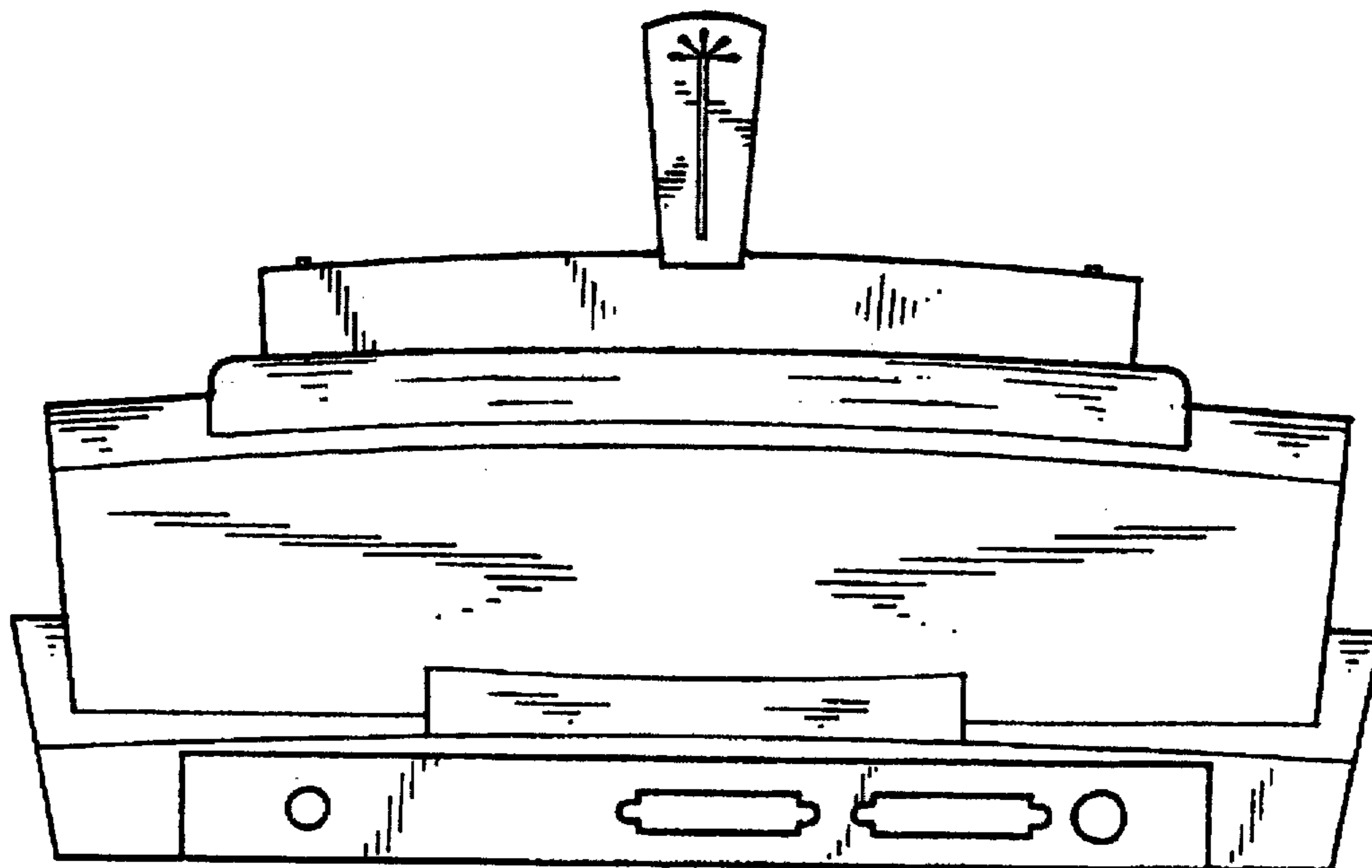


FIG. 3

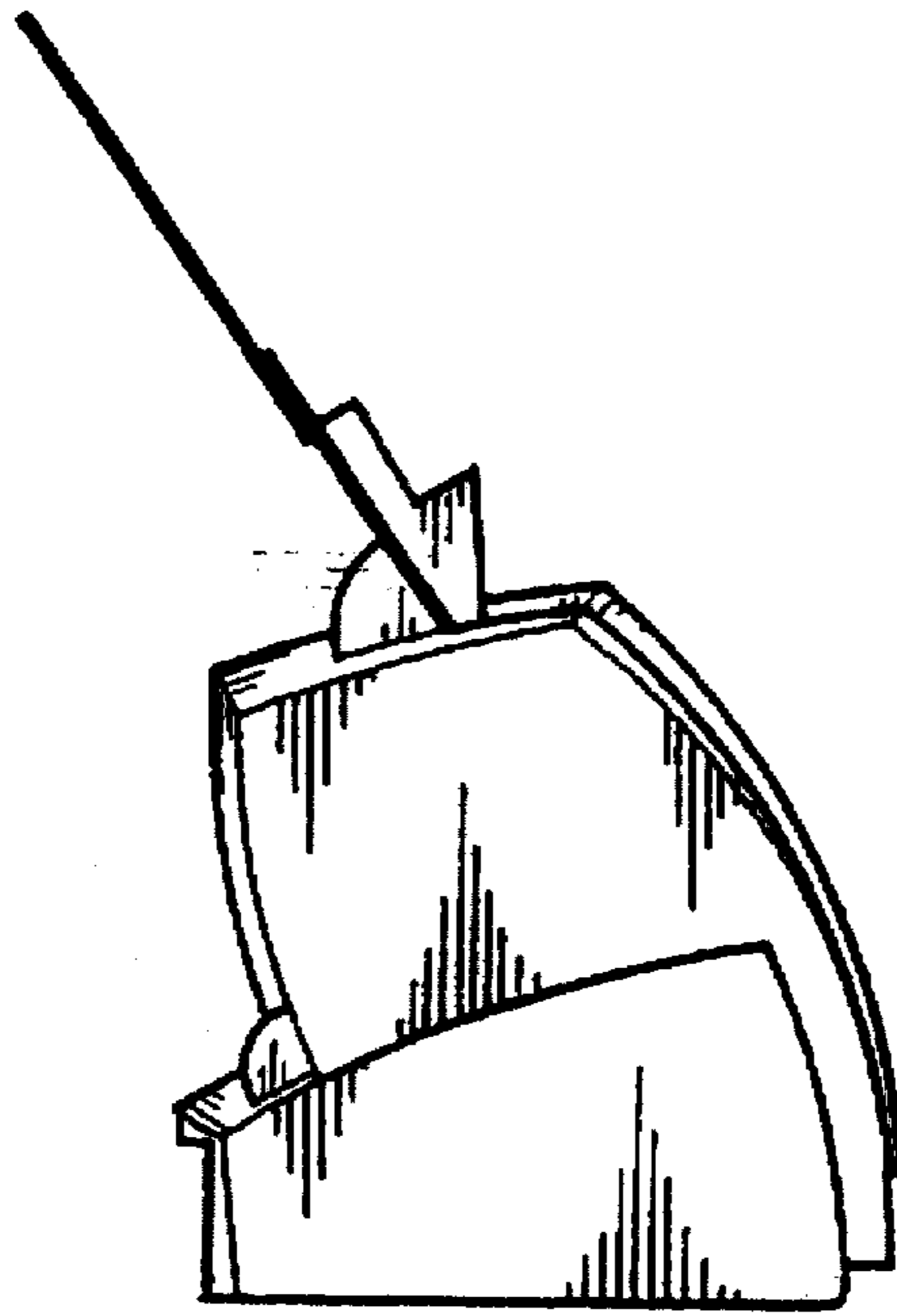


FIG. 4

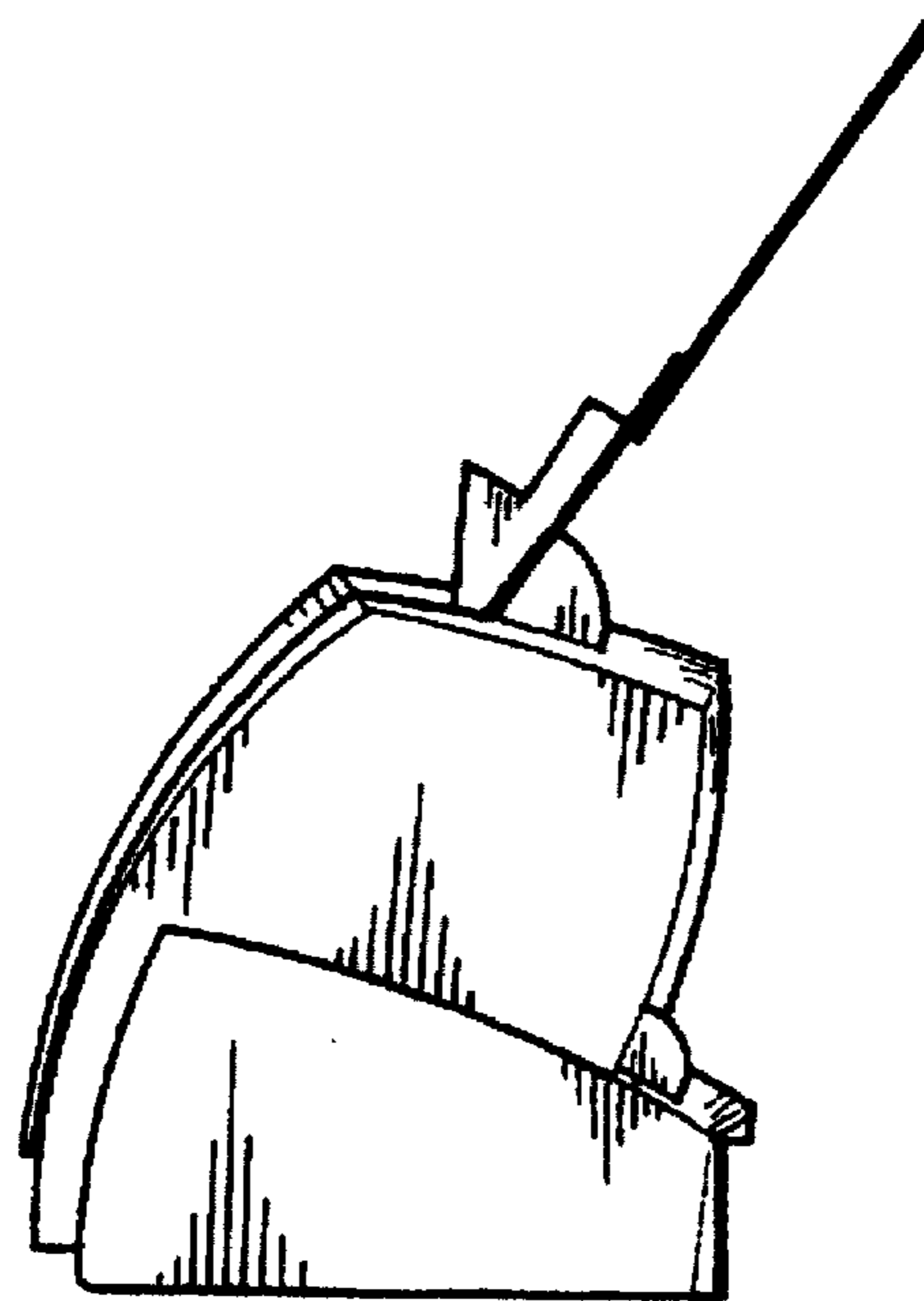


FIG. 5

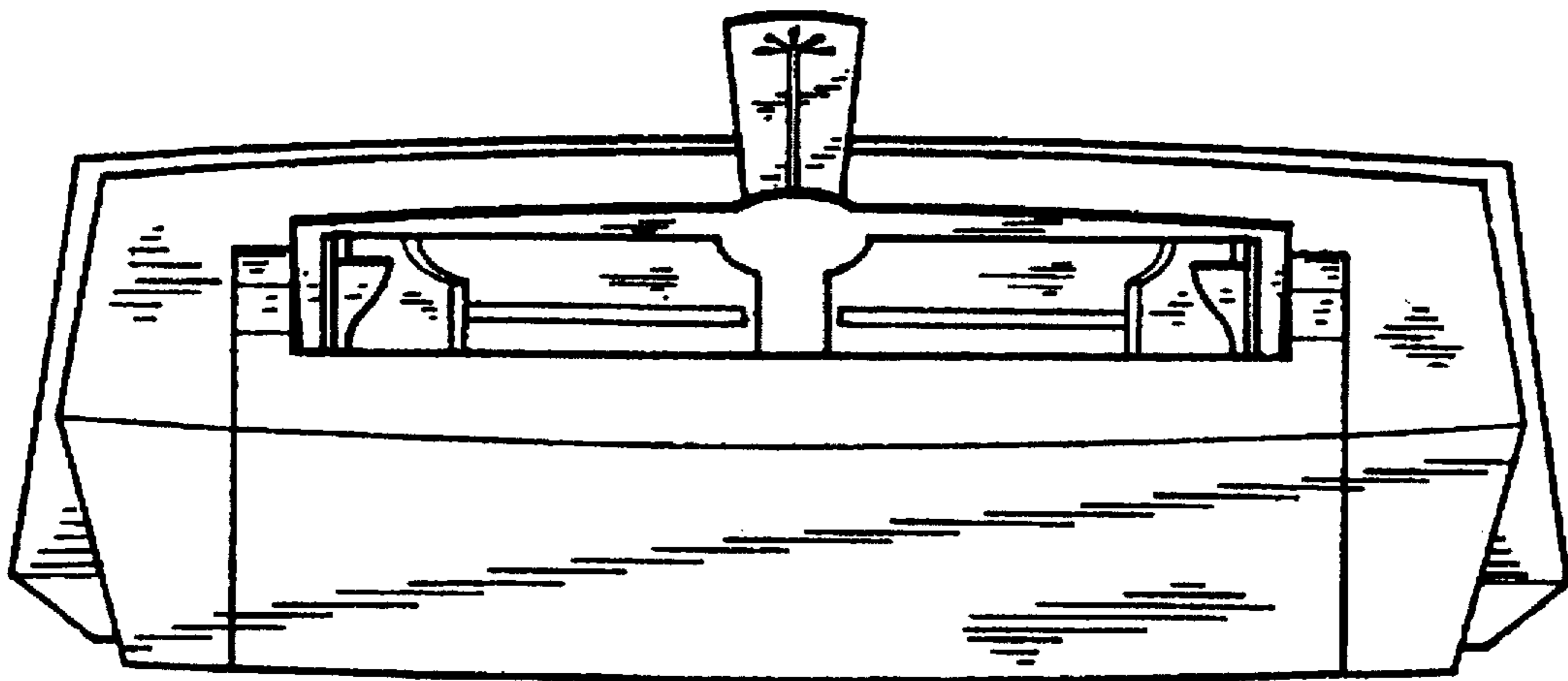


FIG. 6

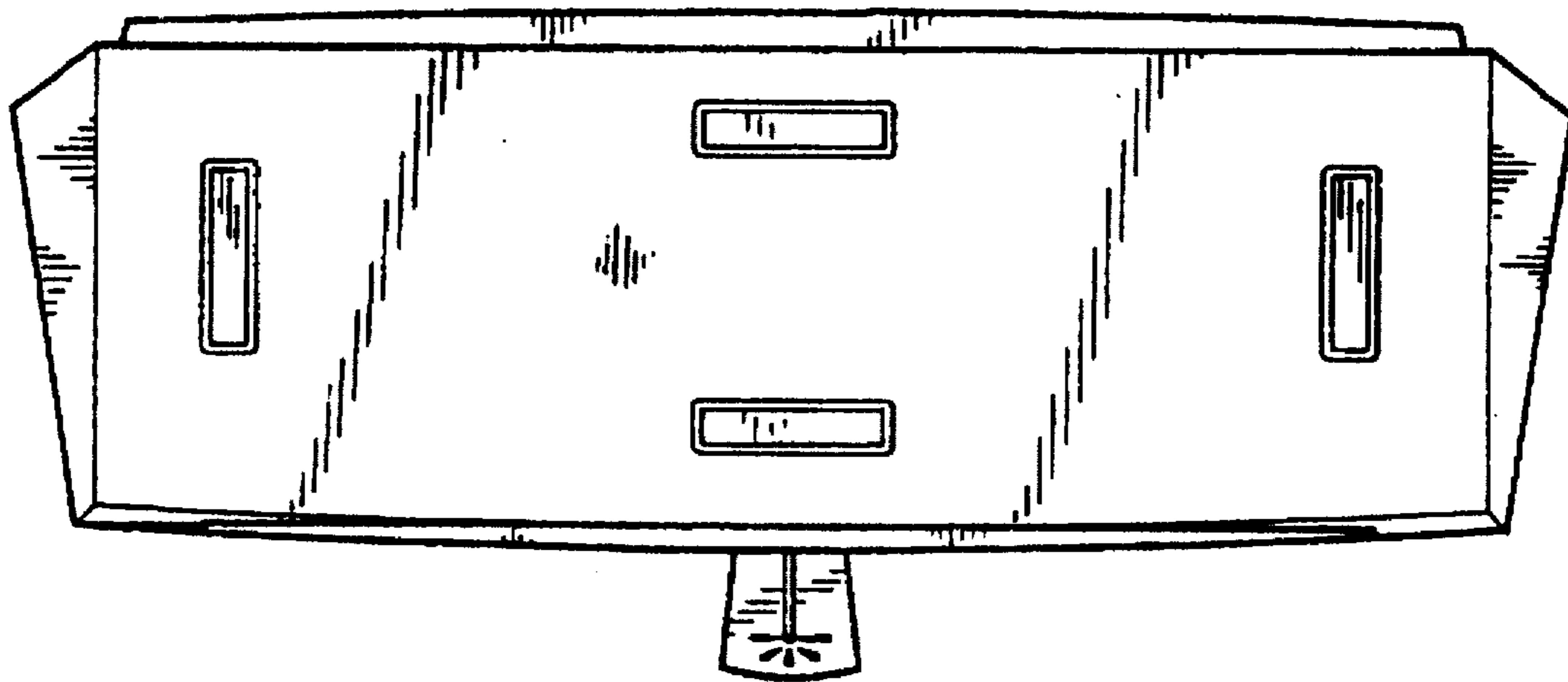


FIG. 7