



US00D388404S

United States Patent [19]

[11] Patent Number: **Des. 388,404**

Kinnunen et al.

[45] Date of Patent: ****Dec. 30, 1997**

[54] **THREE-DIMENSIONAL SCANNING DEVICE**

Attorney, Agent, or Firm—Parsons & Goltry; Robert A. Parsons; Michael W. Goltry

[76] Inventors: **Kelly M. Kinnunen**, 27 E. Seventh St., #25, Tempe, Ariz. 85281; **John H. Brisben**, 2106 Kelmo Dr., Prescott, Ariz. 86301

[57] **CLAIM**

The ornamental design for a three-dimensional scanning device, as shown and described.

[**] Term: **14 Years**

DESCRIPTION

[21] Appl. No.: **56,631**

FIG. 1 is a perspective view of a three-dimensional scanning device, showing our new design therefor;

[22] Filed: **Jul. 3, 1996**

FIG. 2 is a right side elevational view of the three-dimensional scanning device;

[51] LOC (6) Cl. **14-02**

[52] U.S. Cl. **D14/107; D14/105; D14/116**

FIG. 3 is a left side elevational view of the three-dimensional scanning device;

[58] **Field of Search** D14/100, 105, D14/107, 114, 116, 118; D16/208, 214, 202, 232; 250/556; 235/454, 462, 470, 380, 382, 382.5; 283/68-70, 74, 75, 78; 364/708.1

FIG. 4 is a top plan view of the three-dimensional scanning device;

FIG. 5 is a rear view of the three-dimensional scanning device;

[56] **References Cited**

U.S. PATENT DOCUMENTS

D. 376,585 12/1996 Wathen et al. D14/107

FIG. 6 is a front view of the three-dimensional scanning device; and,

FIG. 7 is a bottom plan view of the three dimensional scanning device.

Primary Examiner—Freda Nunn

1 Claim, 2 Drawing Sheets

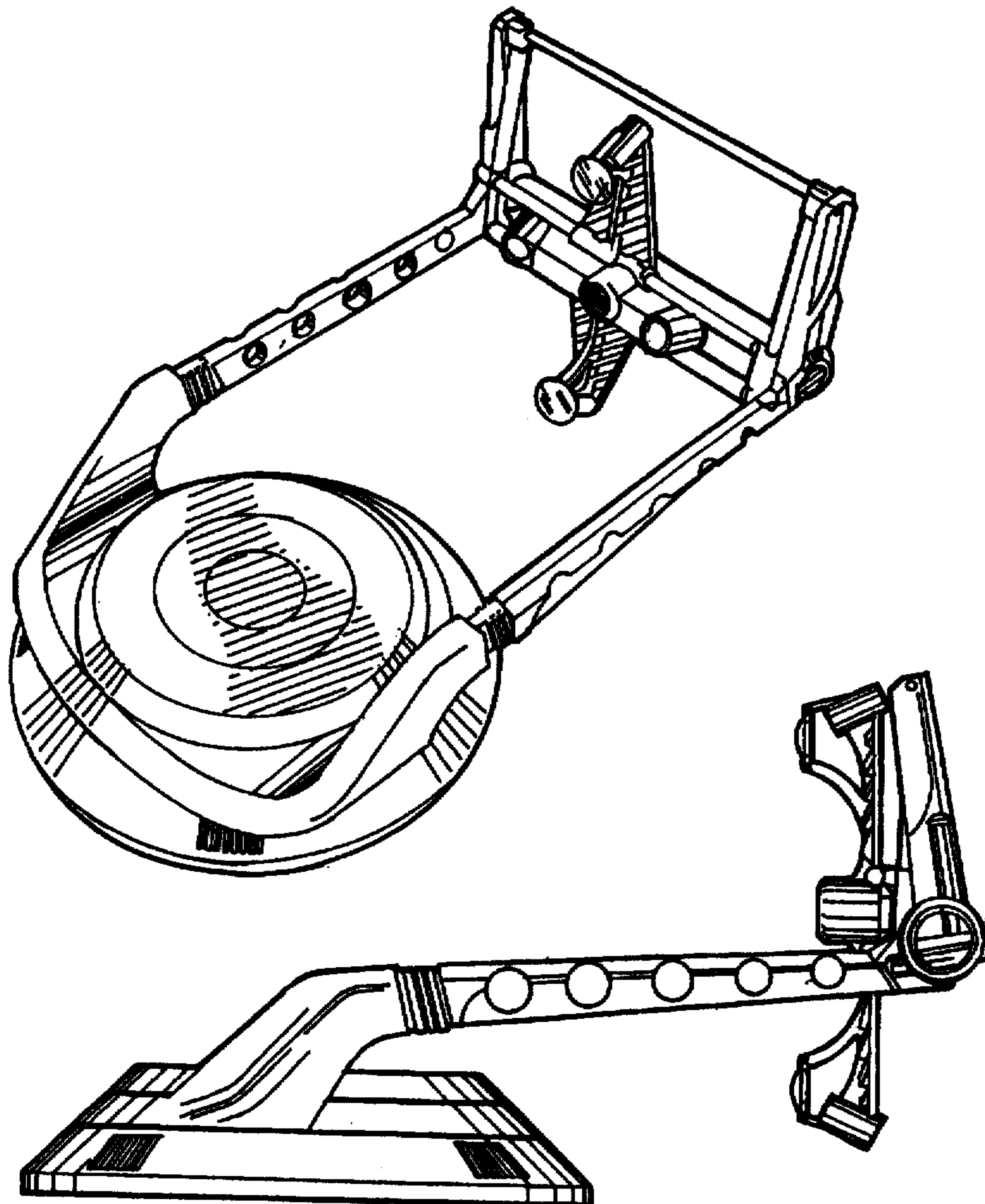


FIG. 1

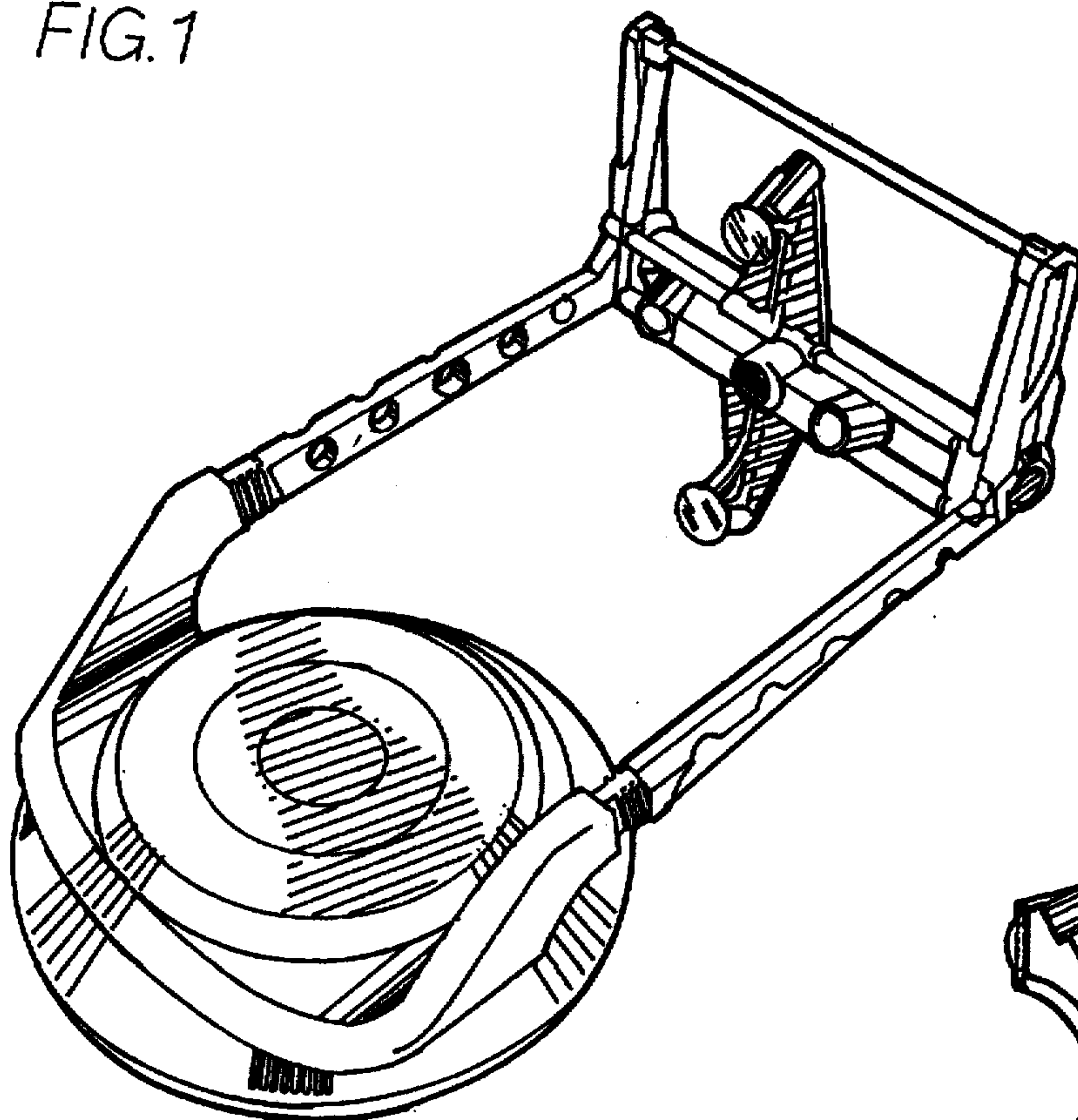


FIG. 2

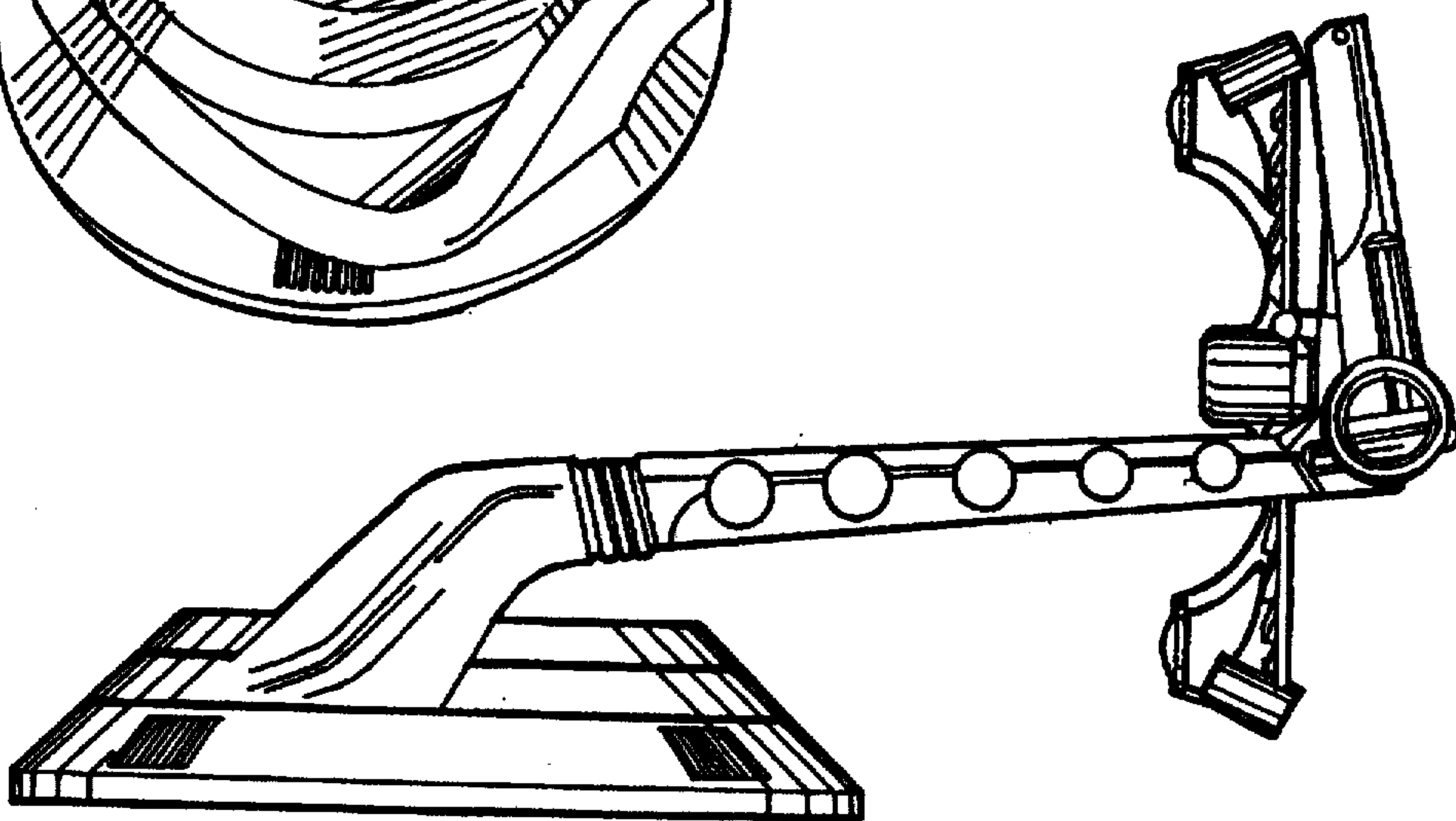


FIG. 3

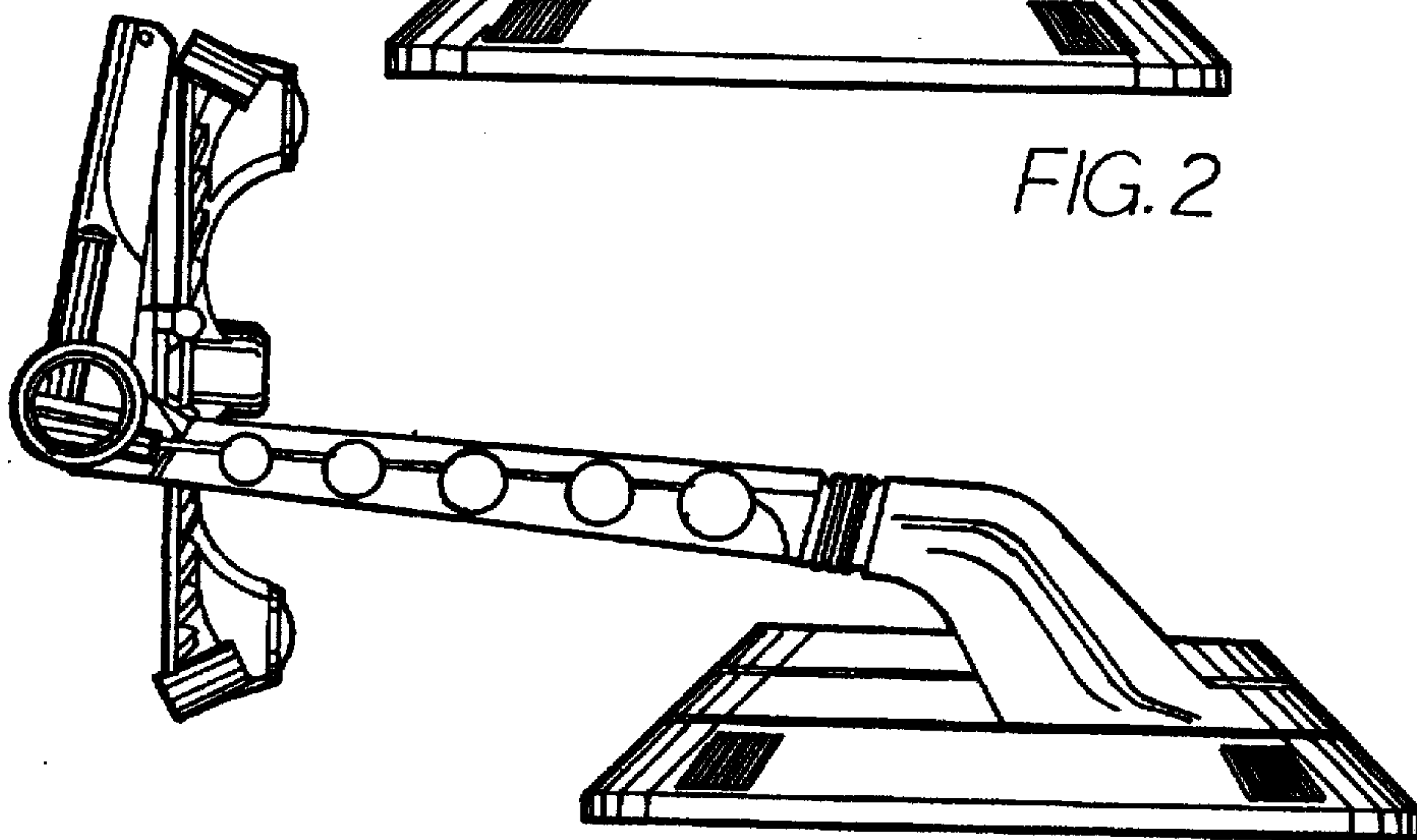


FIG. 4

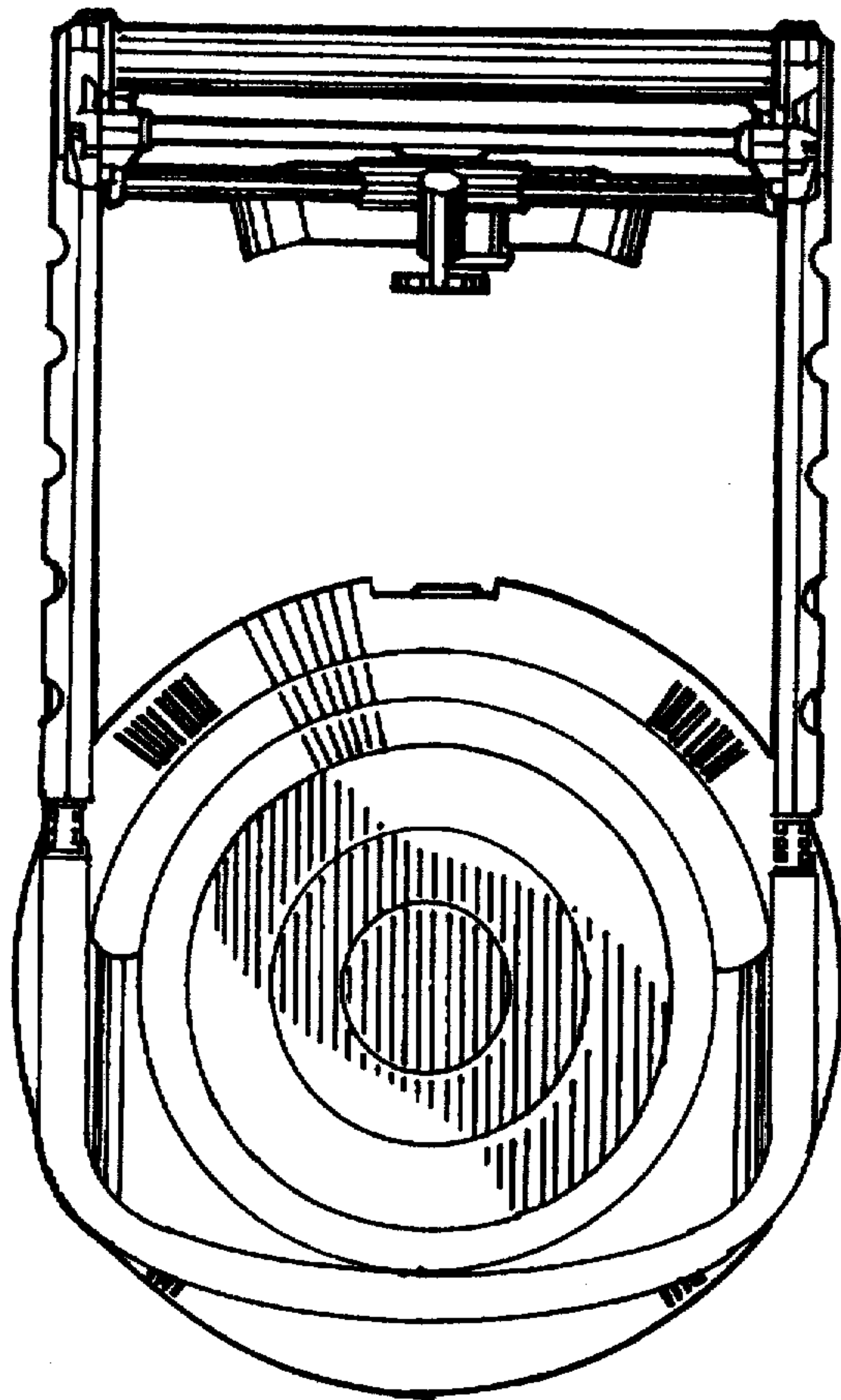


FIG. 5

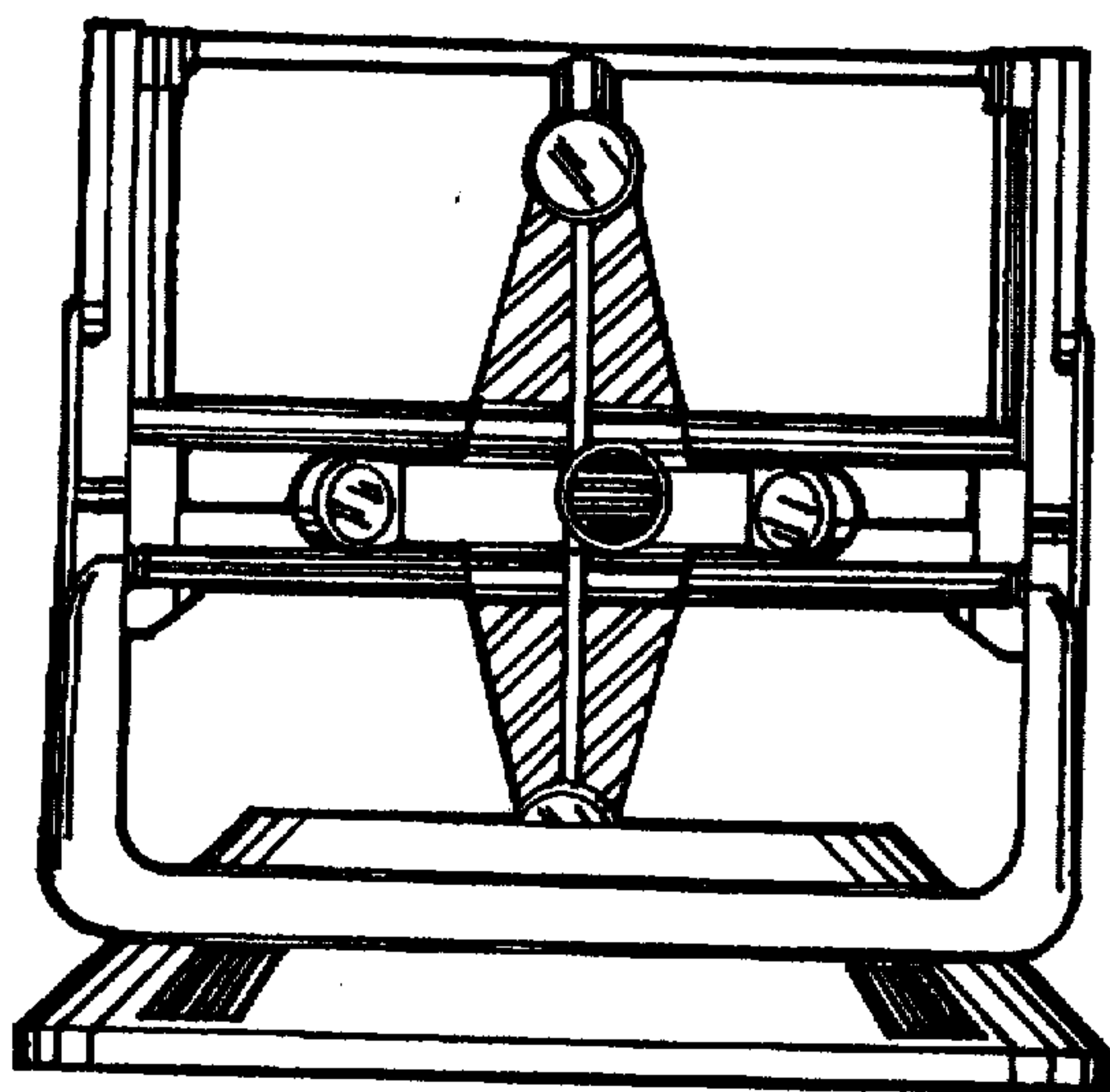
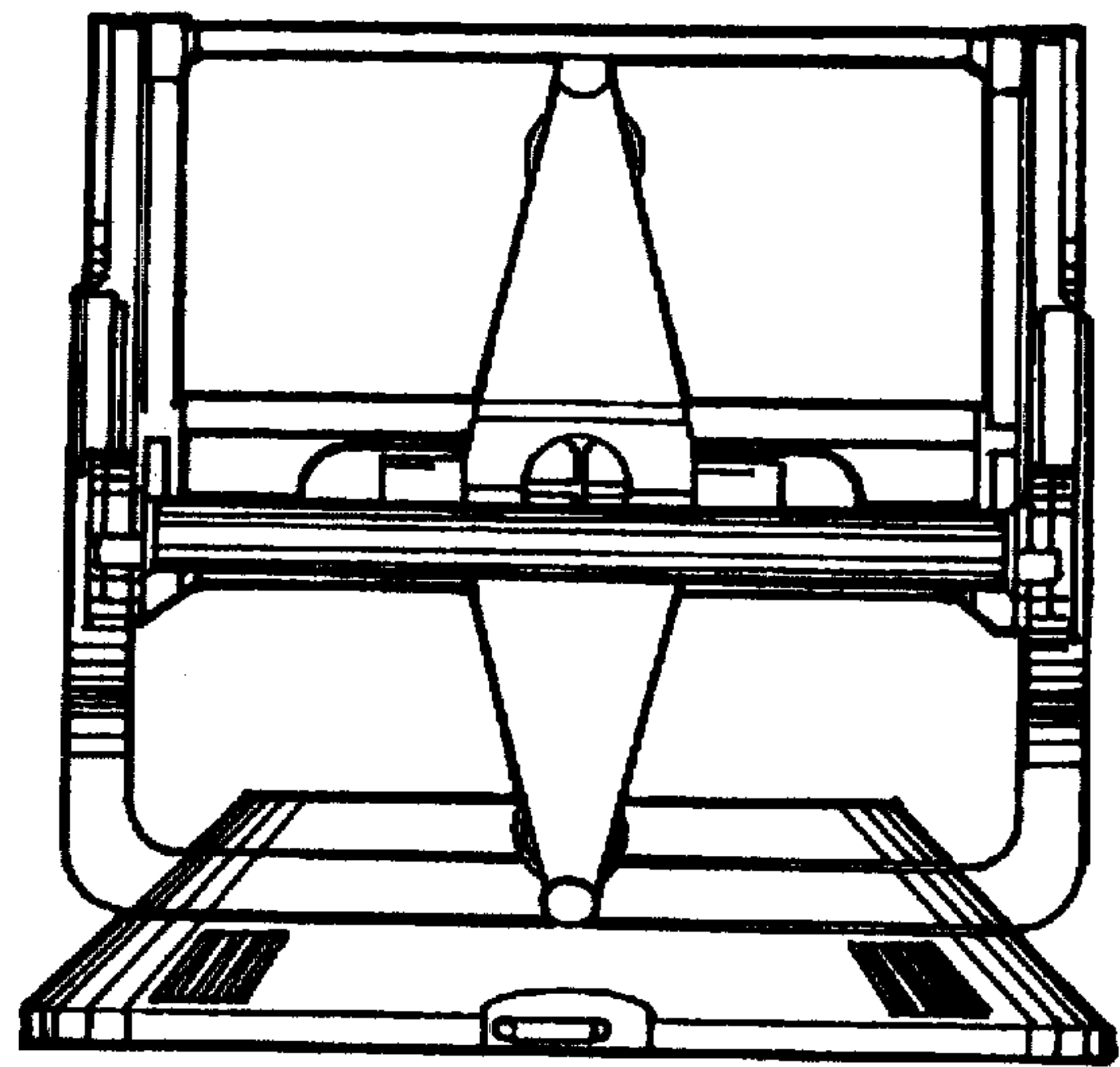


FIG. 6

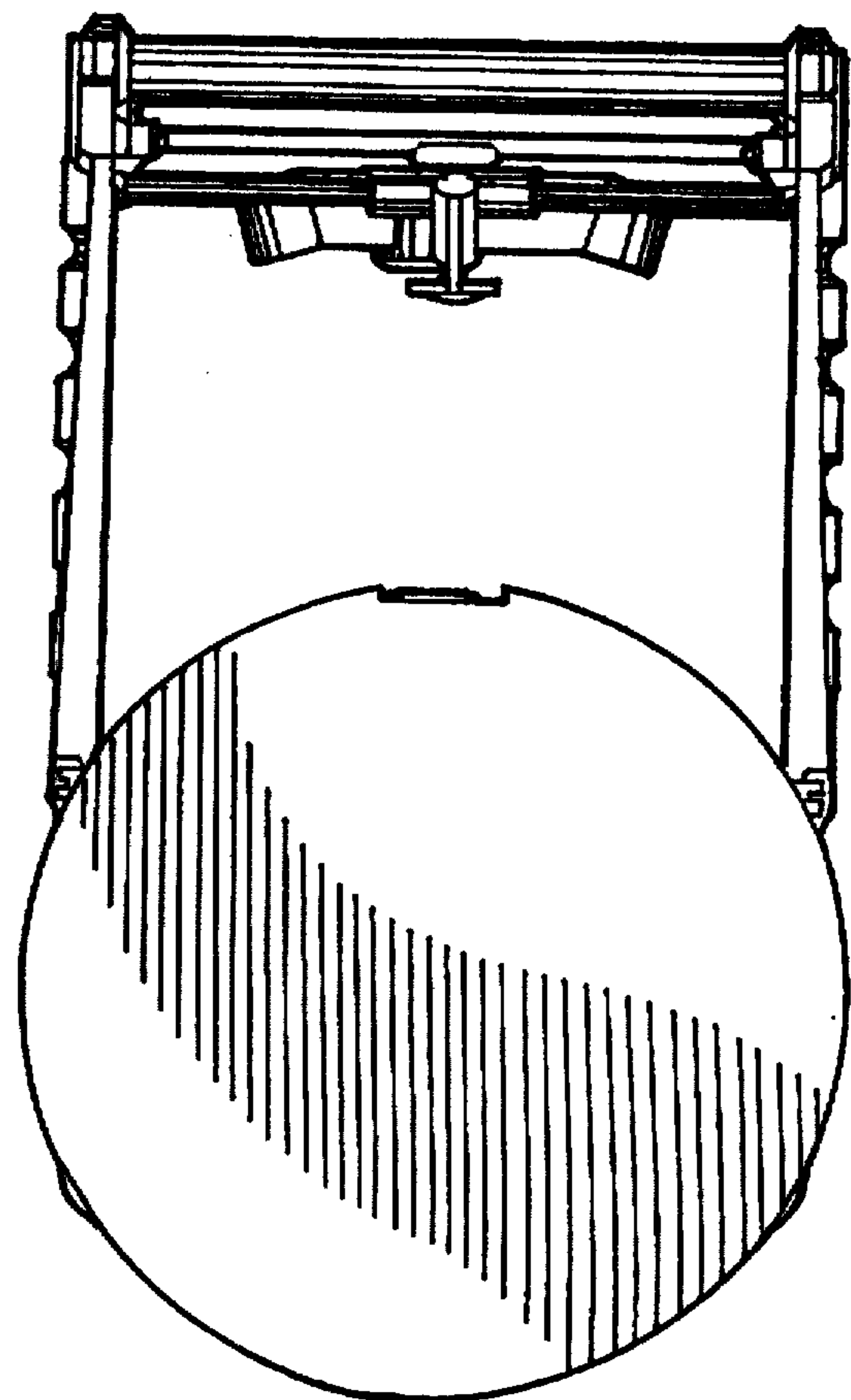


FIG. 7