



US00D388403S

United States Patent [19]
Tochishita

[11] **Patent Number: Des. 388,403**
[45] **Date of Patent: **Dec. 30, 1997**

[54] **PORTABLE LAPTOP COMPUTER**

[75] **Inventor: Masaru Tochishita, Osaka, Japan**
[73] **Assignee: Matsushita Electric Industrial Co., Ltd., Osaka, Japan**
[**] **Term: 14 Years**

[21] **Appl. No.: 62,921**
[22] **Filed: Dec. 4, 1996**

[30] **Foreign Application Priority Data**
Jun. 4, 1996 [JP] Japan 8-16422

[51] **LOC (6) CL 14-02**
[52] **U.S. Cl. D14/106**
[58] **Field of Search D14/100, 106, D14/113, 115; D18/1, 7; 235/145 A, 145 R; 341/22, 23; 345/104, 156, 168, 173, 87, 901-905; 361/680-686; 364/708.1; 400/486, 489**

[56] **References Cited**

U.S. PATENT DOCUMENTS

D. 365,336 12/1995 Vossoughi et al. D14/106
D. 366,252 1/1996 Nelson et al. D14/106

OTHER PUBLICATIONS

Toshiba brochure "Dynabook SS 433/425", issued May, 1994, 2 pages, double-sided.
IBM brochure "ThinkPAD 230Cs", issued Sep., 1994, 1 page, double-sided.

Primary Examiner—Freda Nunn
Attorney, Agent, or Firm—Sughrue, Mion, Zinn, Macpeack & Seas, PLLC

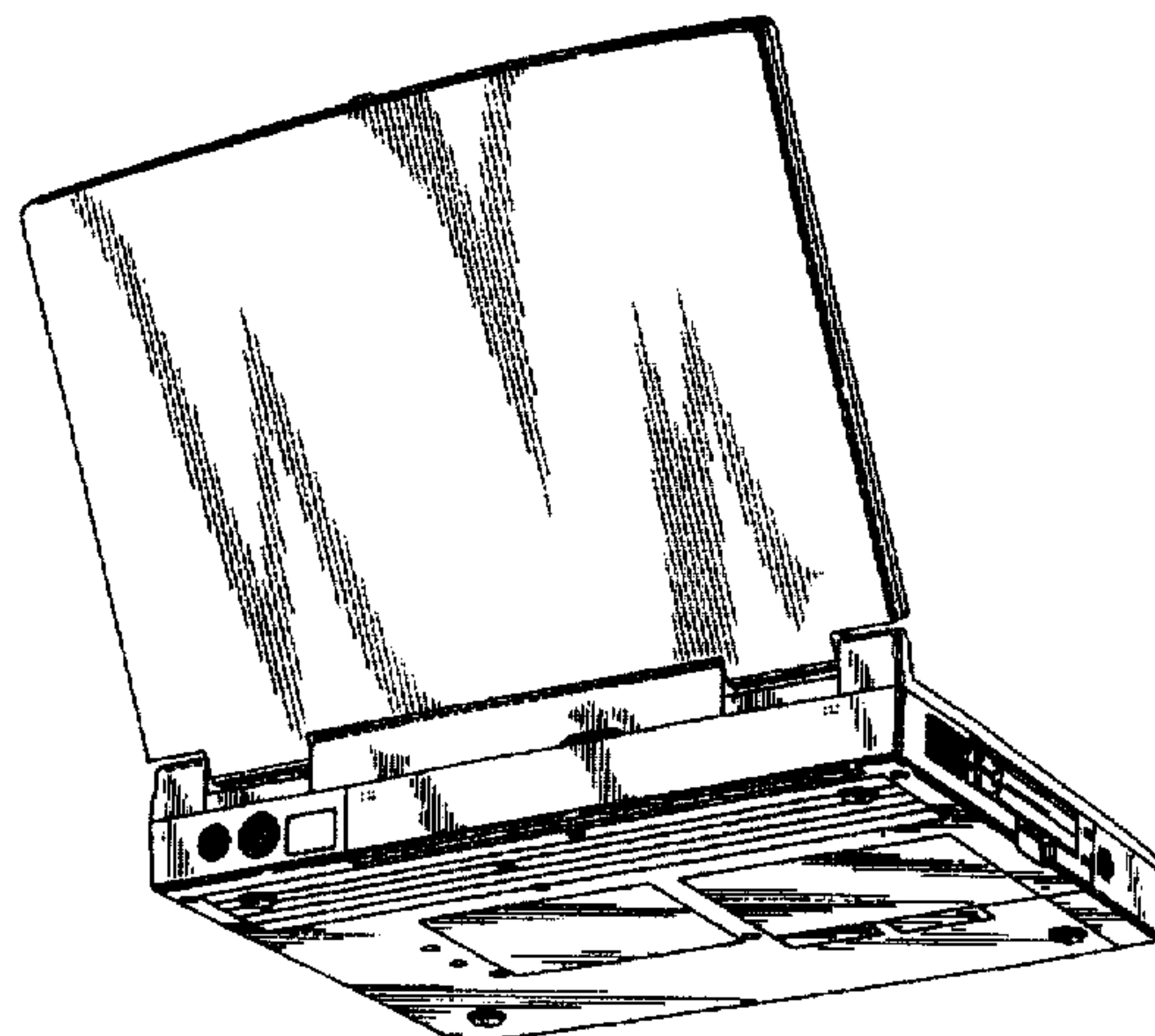
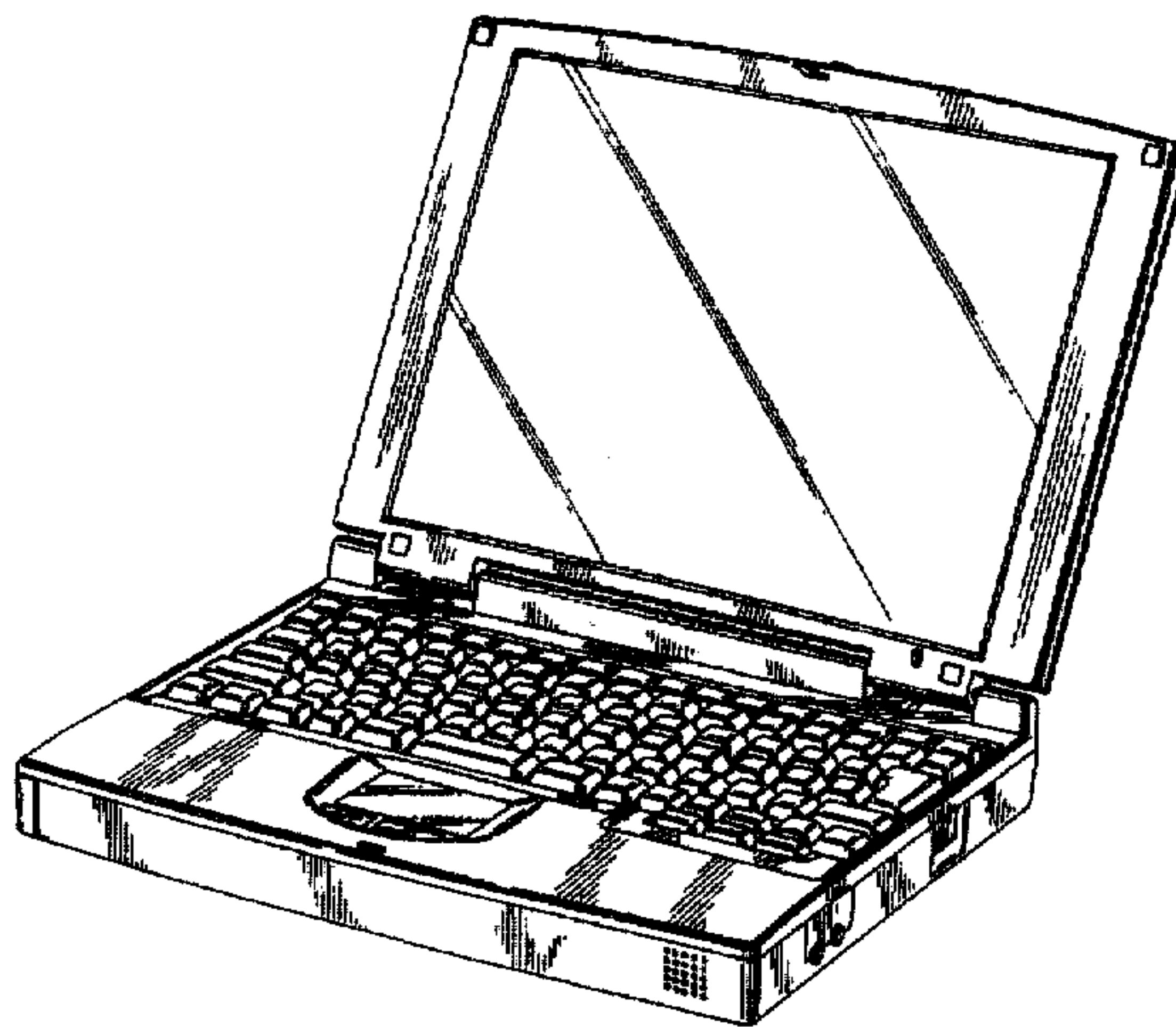
[57] **CLAIM**

The ornamental design for a portable laptop computer, as shown.

DESCRIPTION

FIG. 1 is a perspective view of the front, top and right side of a portable laptop computer showing my new design; FIG. 2 is a perspective view of the bottom, rear and left side thereof; FIG. 3 is a front elevational view thereof; FIG. 4 is a top plan view thereof; FIG. 5 is a right side elevational view thereof; FIG. 6 is a left side elevational view thereof; FIG. 7 is a rear elevational view thereof; and FIG. 8 is a bottom plan view thereof.

1 Claim, 8 Drawing Sheets



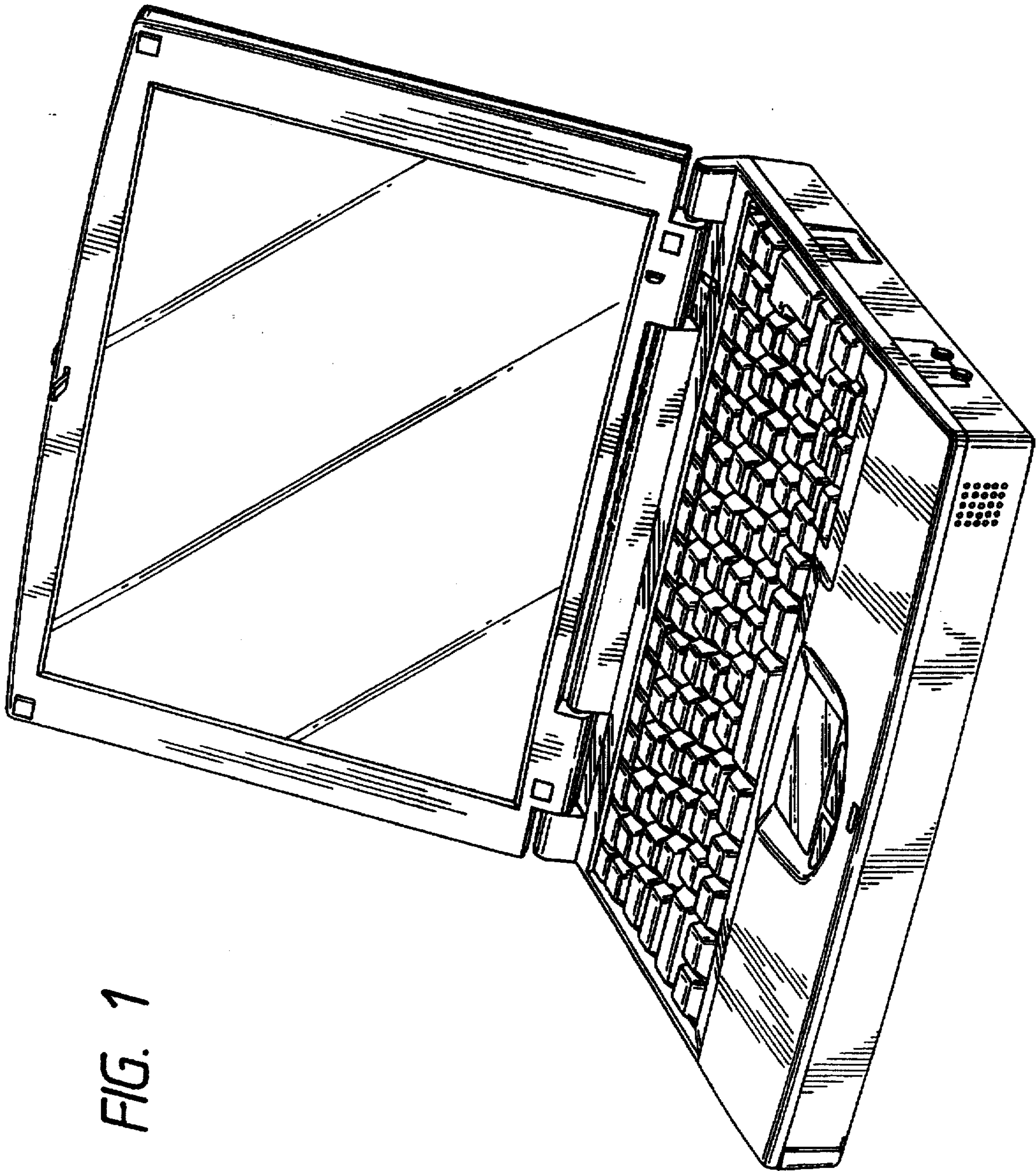


FIG. 1

FIG. 2

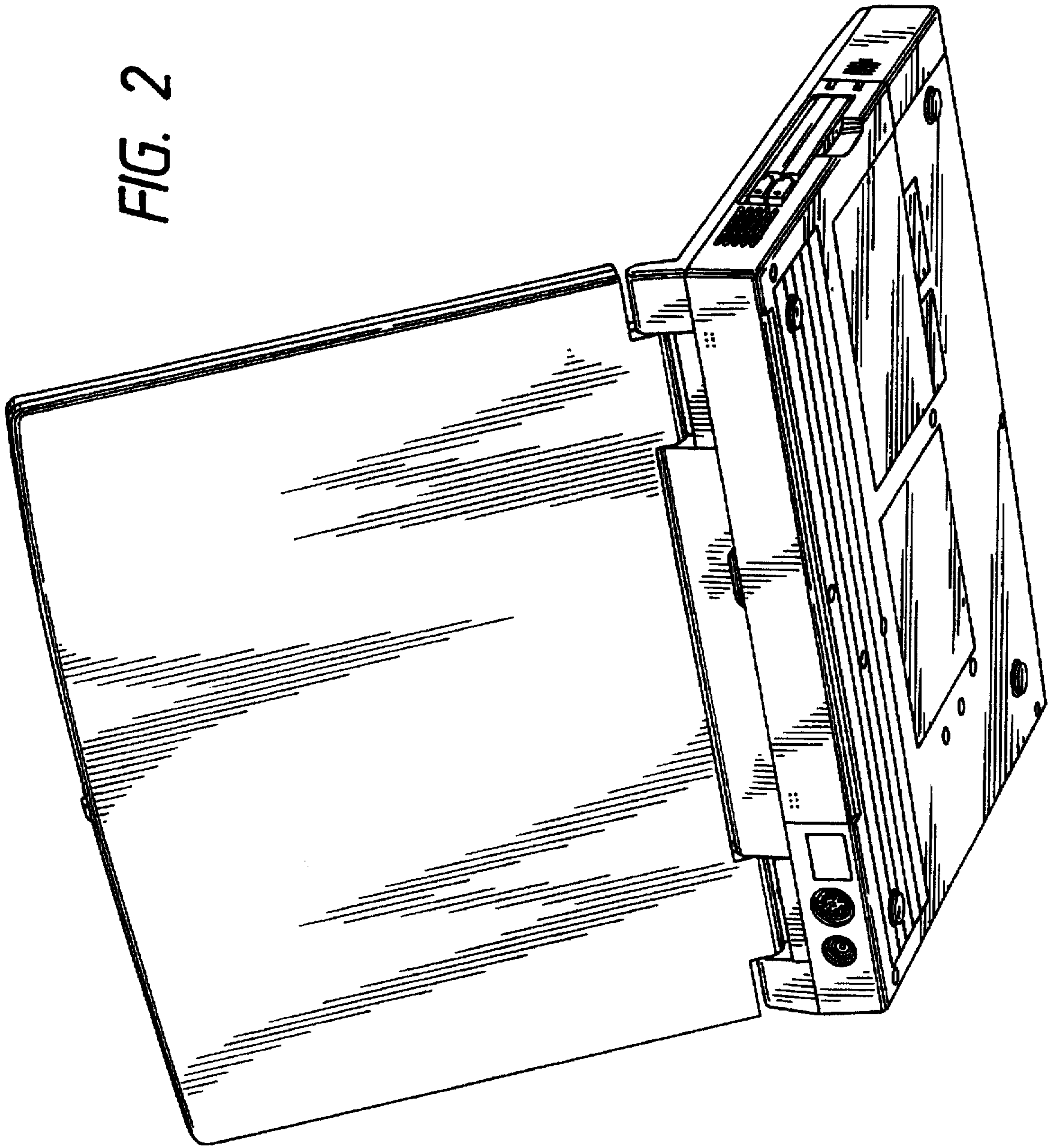


FIG. 3

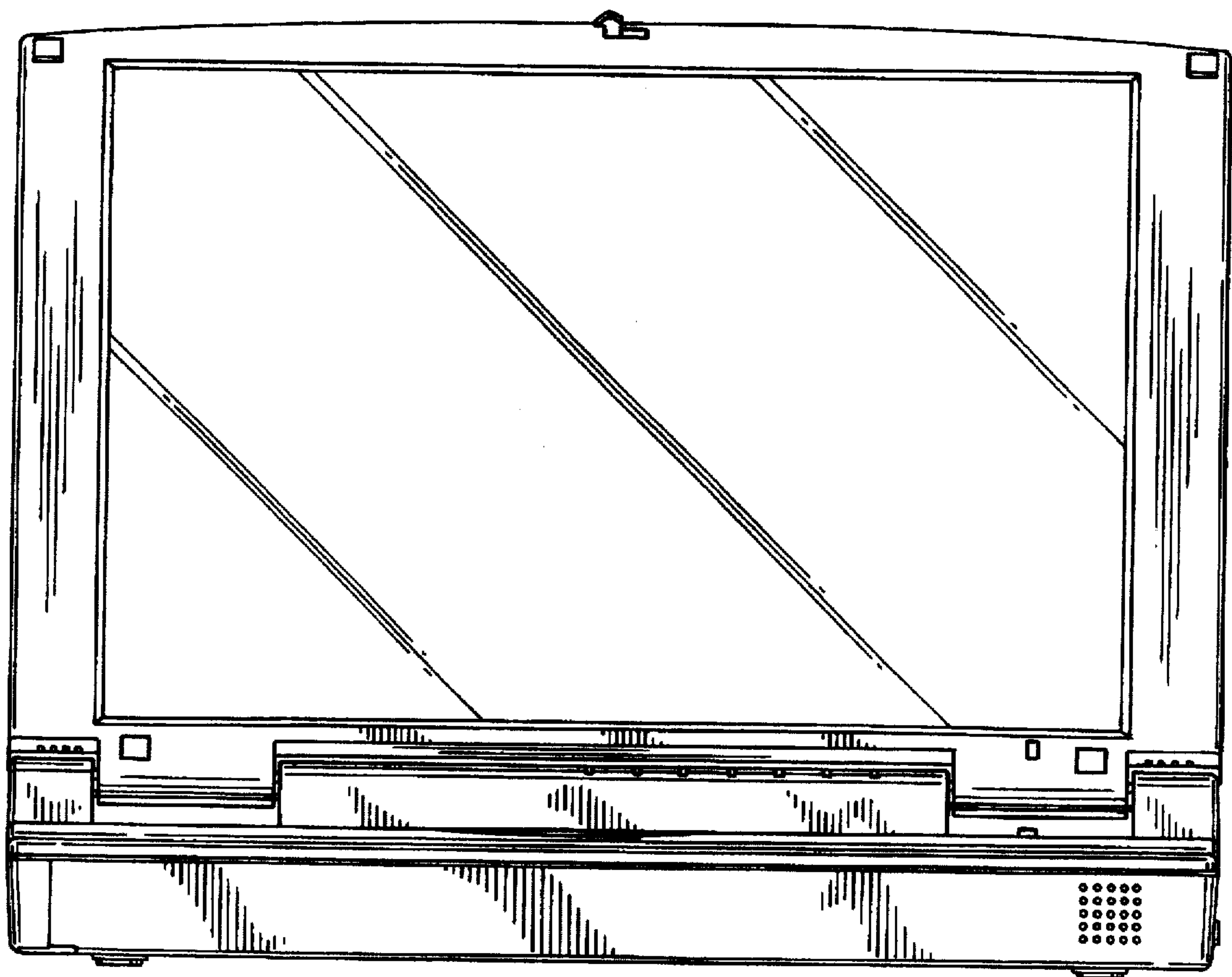
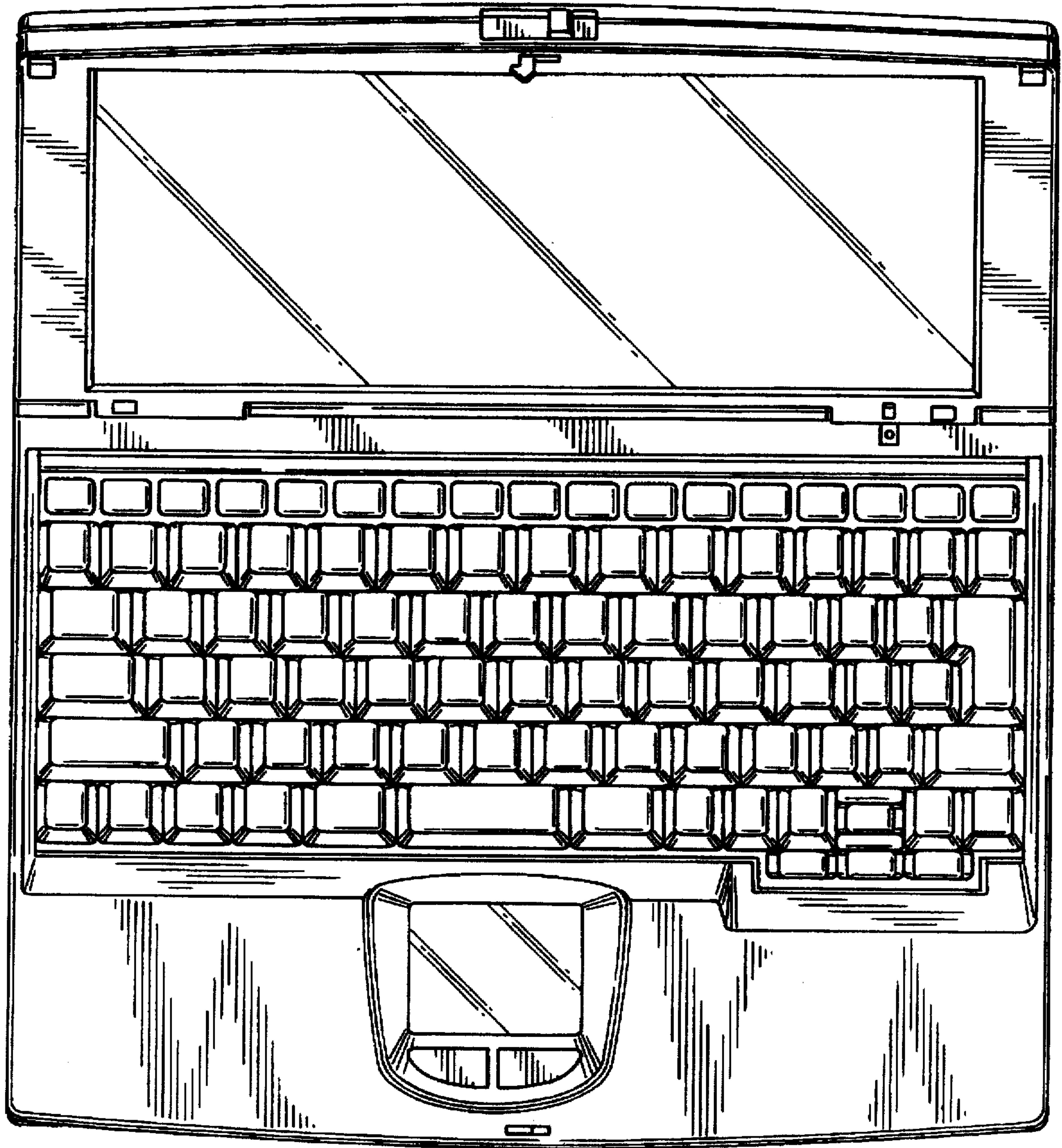


FIG. 4



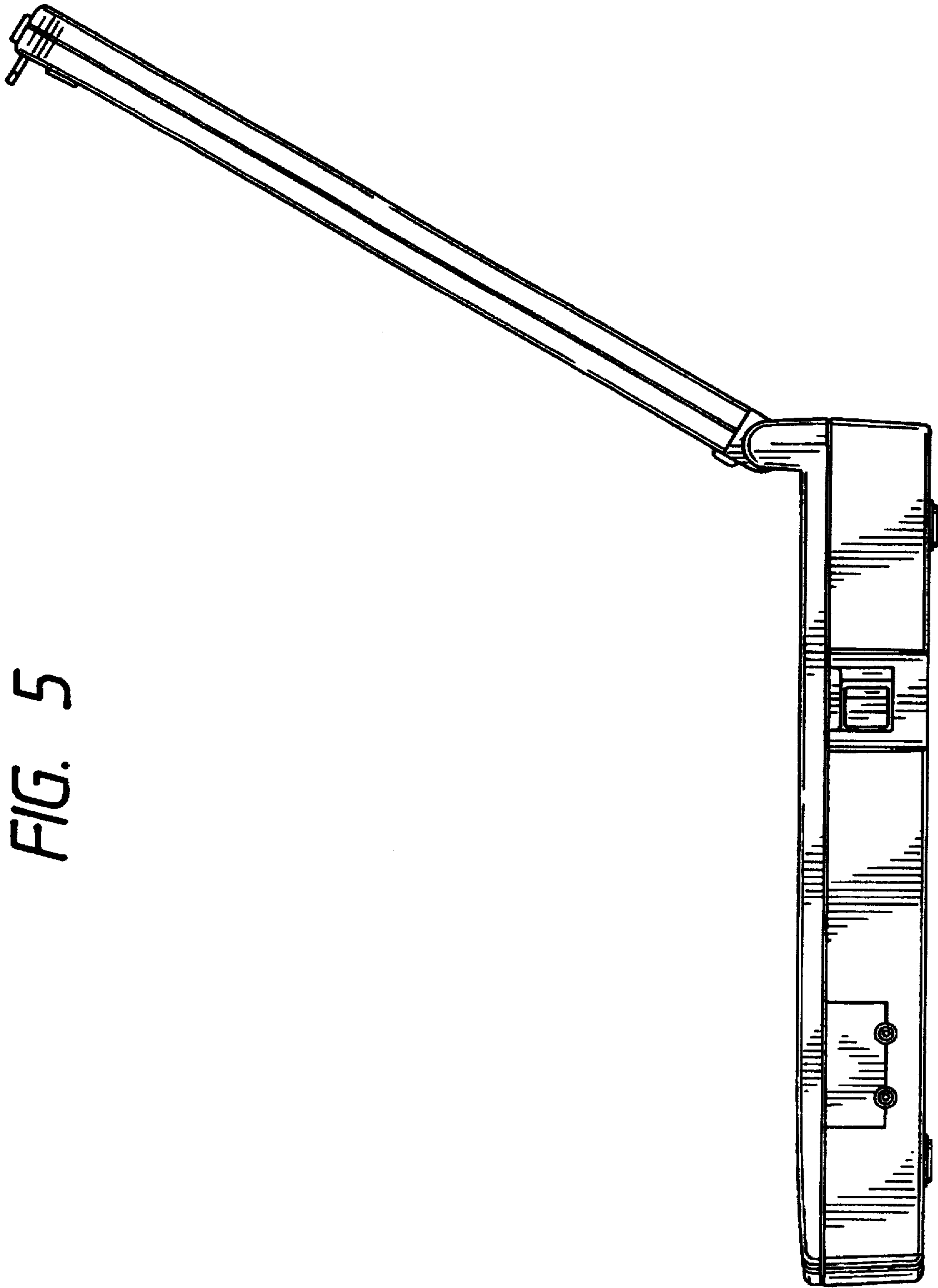


FIG. 5

FIG. 6

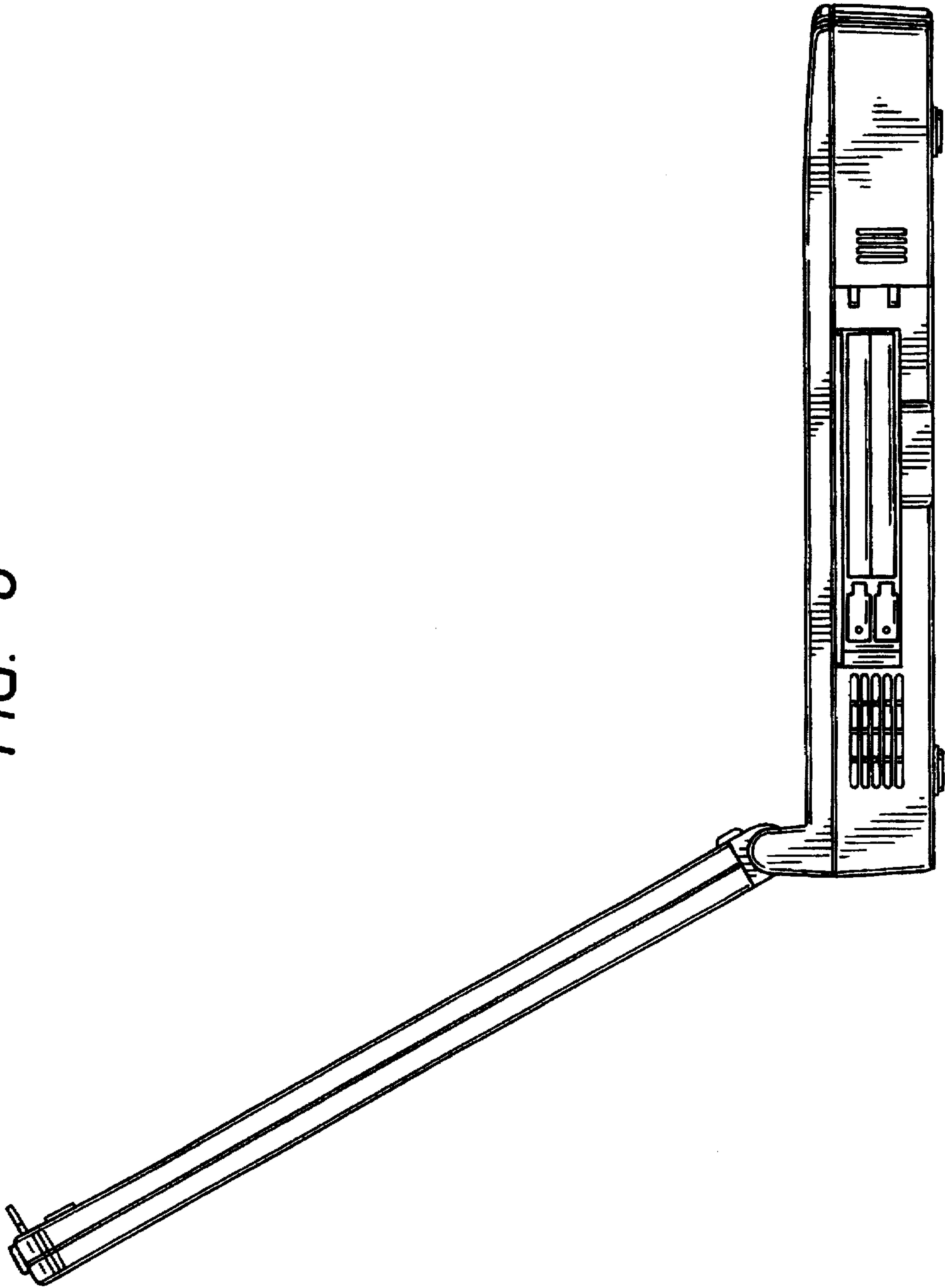


FIG. 7

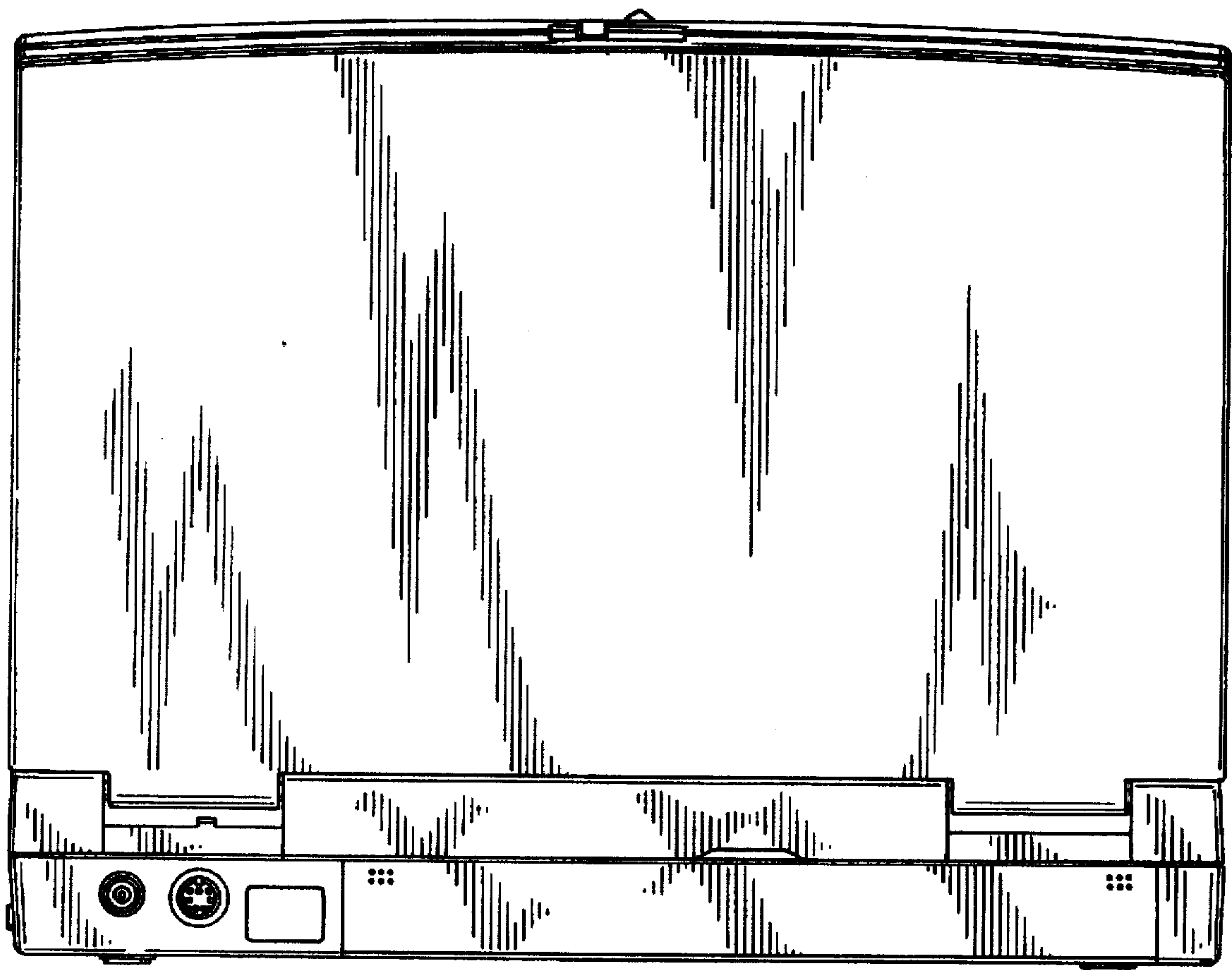


FIG. 8

