



US00D388401S

**United States Patent** [19]  
**Tanaka**

[11] **Patent Number: Des. 388,401**

[45] **Date of Patent: \*\*Dec. 30, 1997**

[54] **ELECTRONIC COMPUTER**

[75] **Inventor: Keita Tanaka, Tokyo, Japan**

[73] **Assignee: Kabushiki Kaisha Toshiba,  
Kanagawa-ken, Japan**

[\*\*] **Term: 14 Years**

[21] **Appl. No.: 59,794**

[22] **Filed: Sep. 16, 1996**

[30] **Foreign Application Priority Data**

Apr. 26, 1996 [JP] Japan ..... 8-12044

[51] **LOC (6) CL ..... 14-02**

[52] **U.S. CL ..... D14/106**

[58] **Field of Search ..... D14/100, 101,  
D14/106, 113, 115; D18/1, 2, 7; 235/145 A,  
145 R; 341/22, 23; 345/104, 156, 160,  
168, 173, 87; 361/680-686; 364/708.1;  
400/486, 489**

[56] **References Cited**

**U.S. PATENT DOCUMENTS**

- D. 308,860 6/1990 Tsukada et al. .
- D. 310,213 8/1990 Tsukada et al. .
- D. 312,822 12/1990 Watabe et al. .
- D. 321,176 10/1991 Ma .
- D. 331,919 12/1992 Sekino et al. .
- D. 332,783 1/1993 Krakower et al. .
- D. 335,870 5/1993 Yun .
- D. 336,465 6/1993 Kim .
- D. 338,660 8/1993 Youens et al. .
- D. 345,550 3/1994 Iino .
- D. 351,377 10/1994 Yu .
- D. 356,069 3/1995 Lee .
- D. 368,470 4/1996 Kondo ..... D14/106
- D. 369,351 4/1996 Kondo ..... D14/106
- D. 369,591 5/1996 Kondo ..... D14/106
- D. 370,469 6/1996 Kondo ..... D14/106

**FOREIGN PATENT DOCUMENTS**

- M 91 03 658 2/1992 Germany .
- M 91 03 696 2/1992 Germany .
- 113906 5/1991 Japan .

- 115245 6/1991 Japan .
- 115781 7/1991 Japan .
- 118262 9/1991 Japan .
- 122562 1/1992 Japan .

**OTHER PUBLICATIONS**

- Data General One Advertisement, date Sep. 28, 1984.
- General Corp. 4400, dated Jan. 14, 1985 #24.
- Nec Corporation, Starlet, Trying together the total starlet system.
- Zenith Data Systems, Newsdata, dated Jun. 1, 1986.
- NBC, Matra Communications, dated Oct. 29, 1962.
- PC-98LT, PC-9800, dated Nov. 1962.
- NEC Corp. PC-9801LV21, dated May, 13, 1963.
- NEC Corp. PC-98LT, dated Jul. 14, 1988.
- Ricoh-Magus Feb. 1, 1990.
- Mitsubishi Maxy, The Architecture Extended-AX, dated May 15, 1990.
- Sun exp. PowerLite, dated Feb. 14, 1994.
- The Compaq Contura Aero, The easy-To-Use Notebook You Can Take Wherever You Go.
- MicroSparc, PFU S-4/Leia
- AST Computers, Performance That Draws Rave Reviews, dated Jan. 6, 1991.
- Travel Mate, Texas Instruments, dated Feb. 5, 1992.
- Sharp, AX286N-H2, dated May 1890.
- Denpa Shinbun Nihon NER, dated Oct. 27, 1993.
- Mitac-DX4/100MHz, dated Jul. 18, 1994.
- Nec Corp. RC-9801LV21, dated May 13, 1963.
- Denpa Shinbun (ATT Wave Note) (Newspaper), Nihon NCR, Oct. 27, 1993.
- Nihon Kogyo Shinbun (I/K Series) (Newspaper), M.T.T., Jun. 26, 1995.

*Primary Examiner*—Freda Nunn  
*Attorney, Agent, or Firm*—Banner & Witcoff, Ltd.

[57] **CLAIM**

The ornamental design for an electronic computer, as shown and described.

**DESCRIPTION**

FIG. 1 is a top, front and right side perspective view of an electronic computer showing my new design;  
FIG. 2 is a front elevational view thereof;  
FIG. 3 is a rear elevational view thereof;

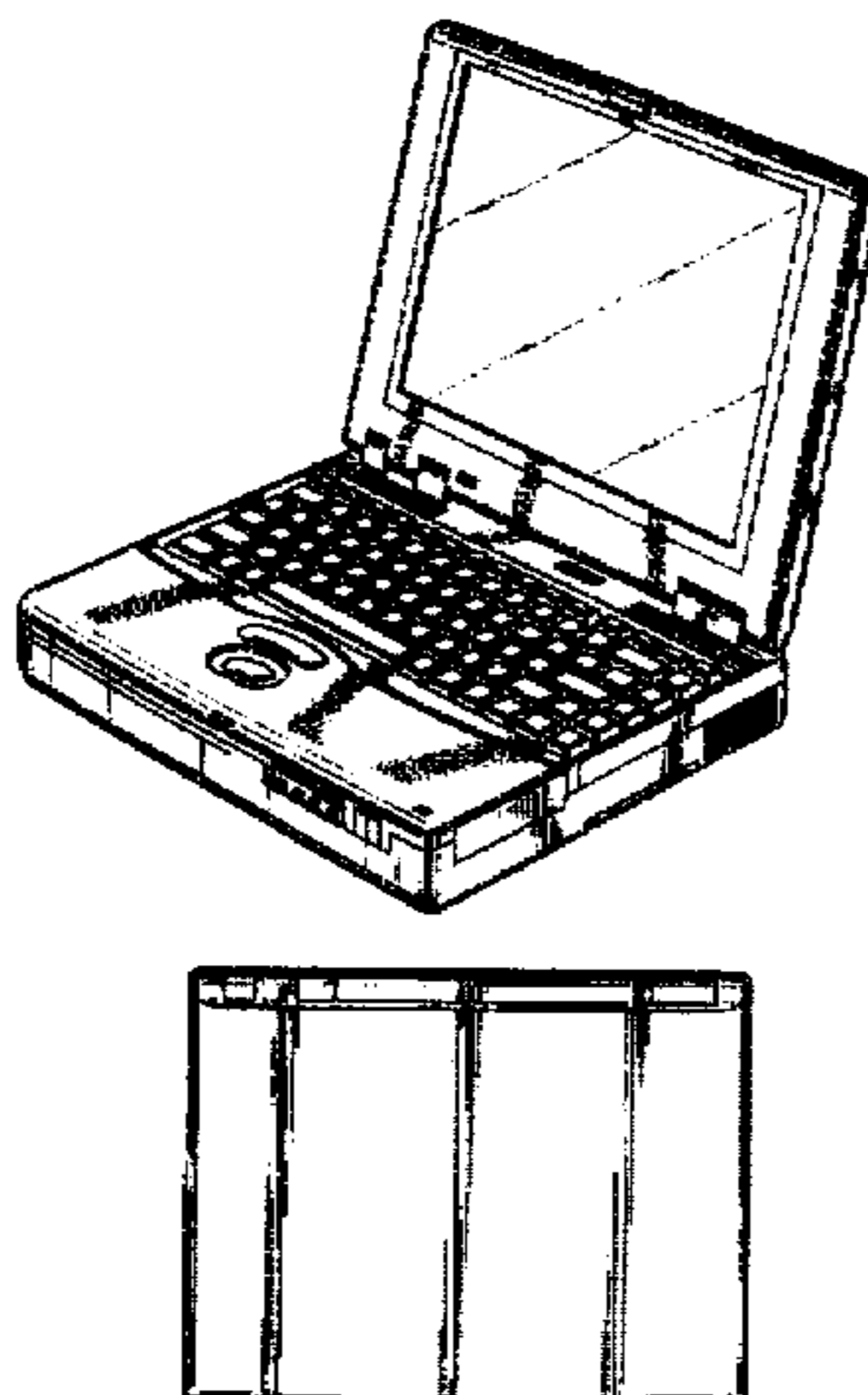


FIG. 4 is a top plan view thereof;  
FIG. 5 is a left side elevational view thereof;  
FIG. 6 is a right side elevational view thereof;  
FIG. 7 is a bottom plan view thereof;  
FIG. 8 is a front elevational view in a closed position thereof;

FIG. 9 is a right side elevational view in the closed position thereof; and,  
FIG. 10 is a top plan view in the closed position thereof.

**1 Claim, 4 Drawing Sheets**

FIG. 1

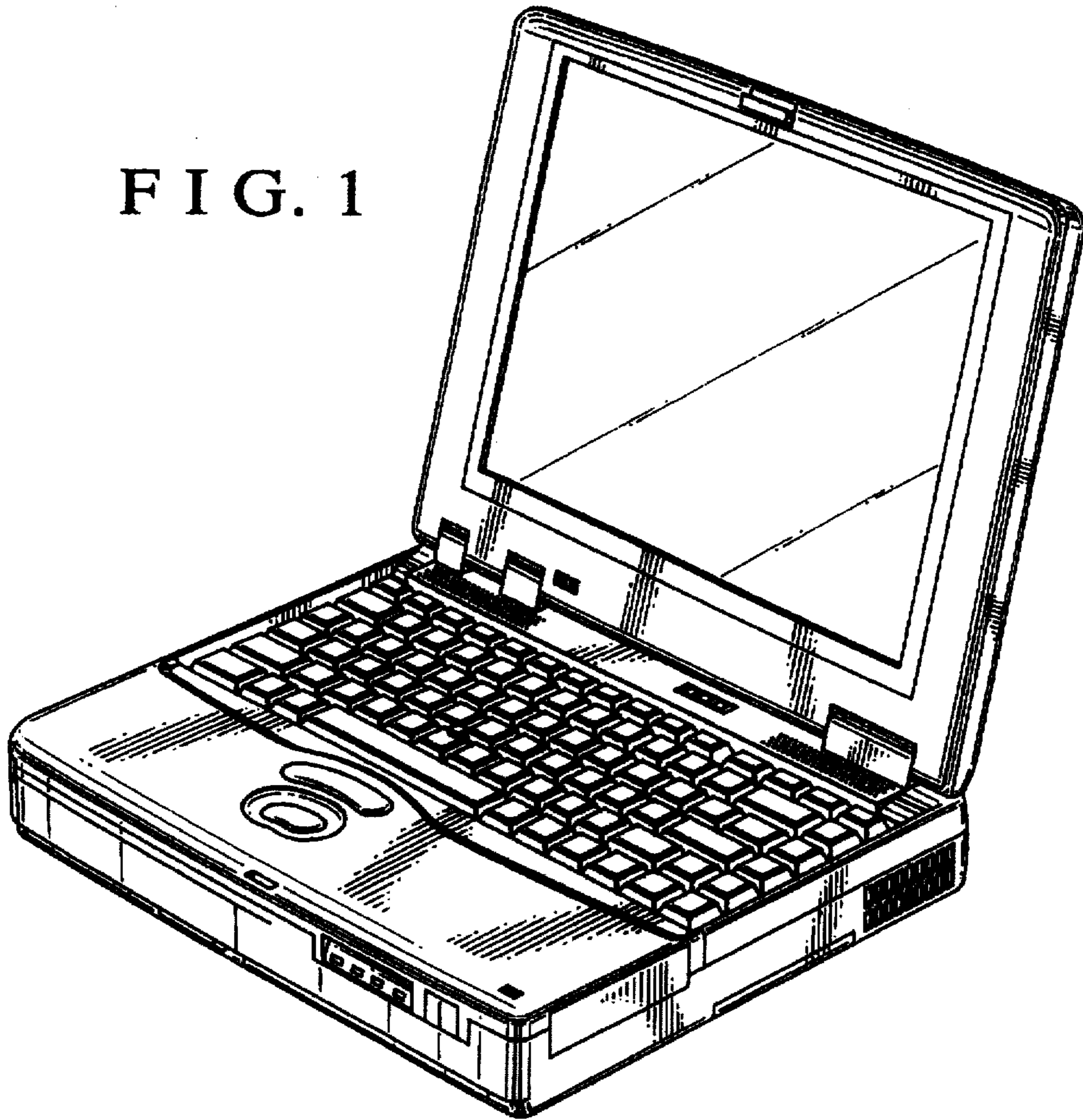


FIG. 2

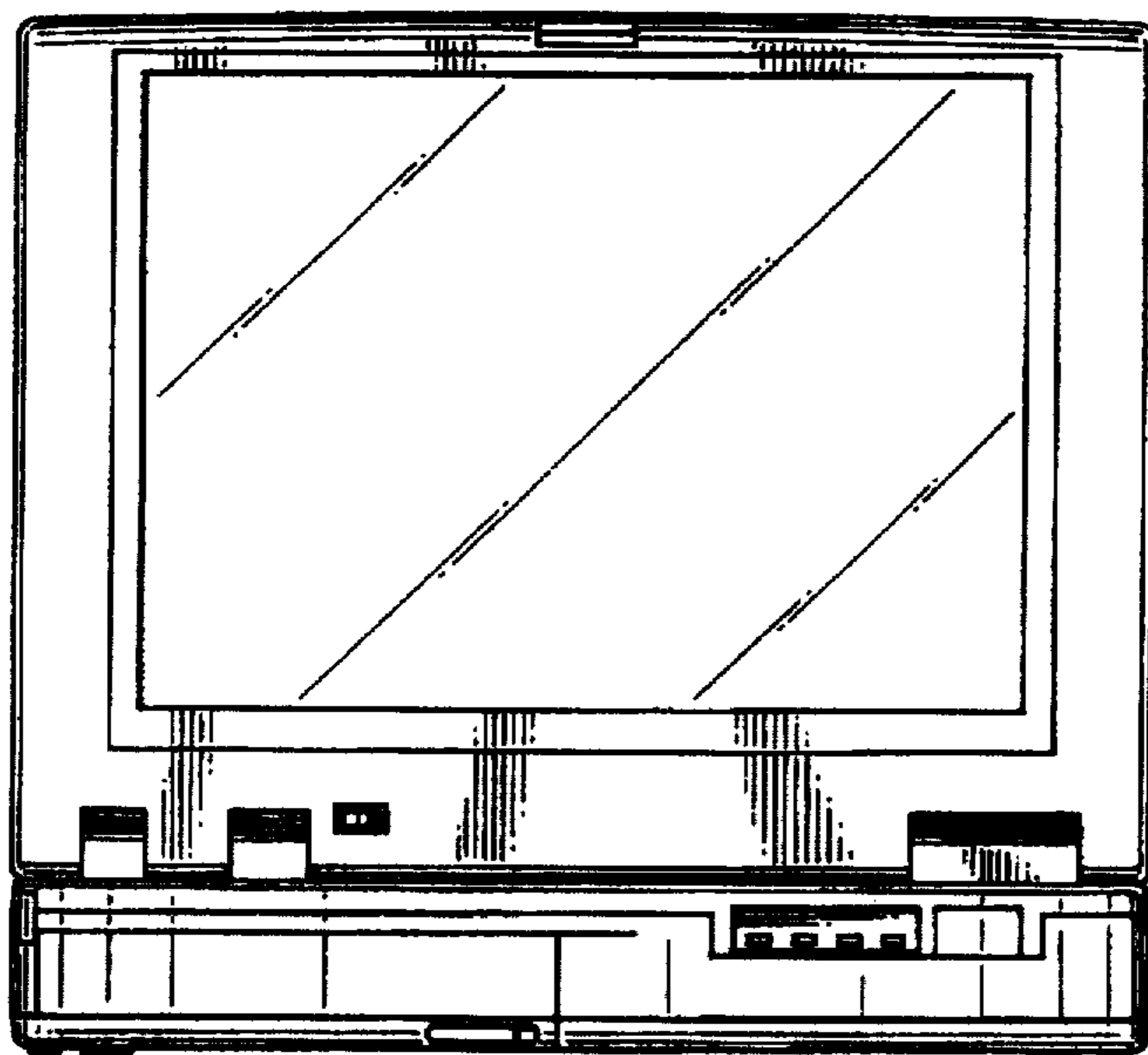


FIG. 3

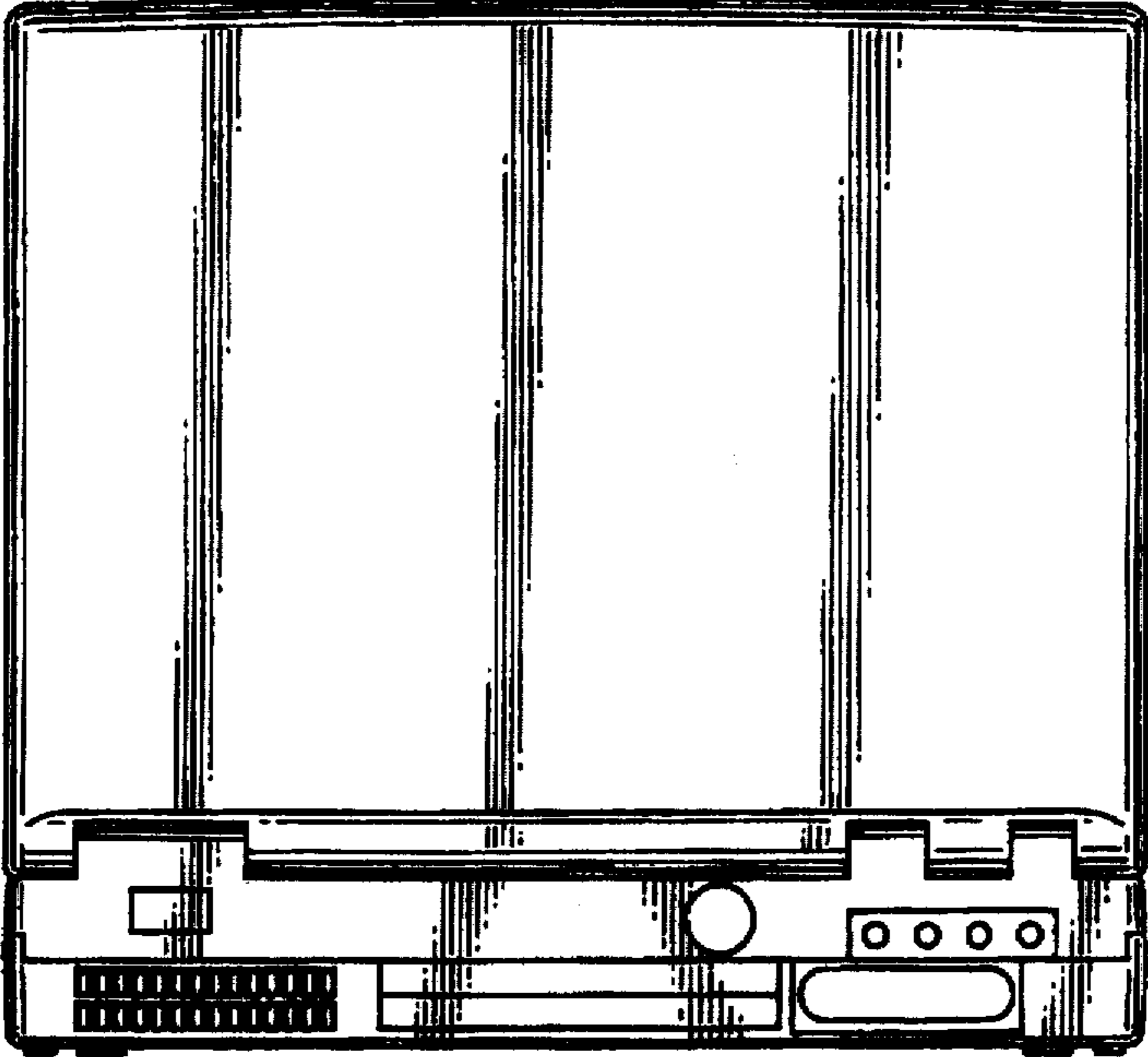


FIG. 4

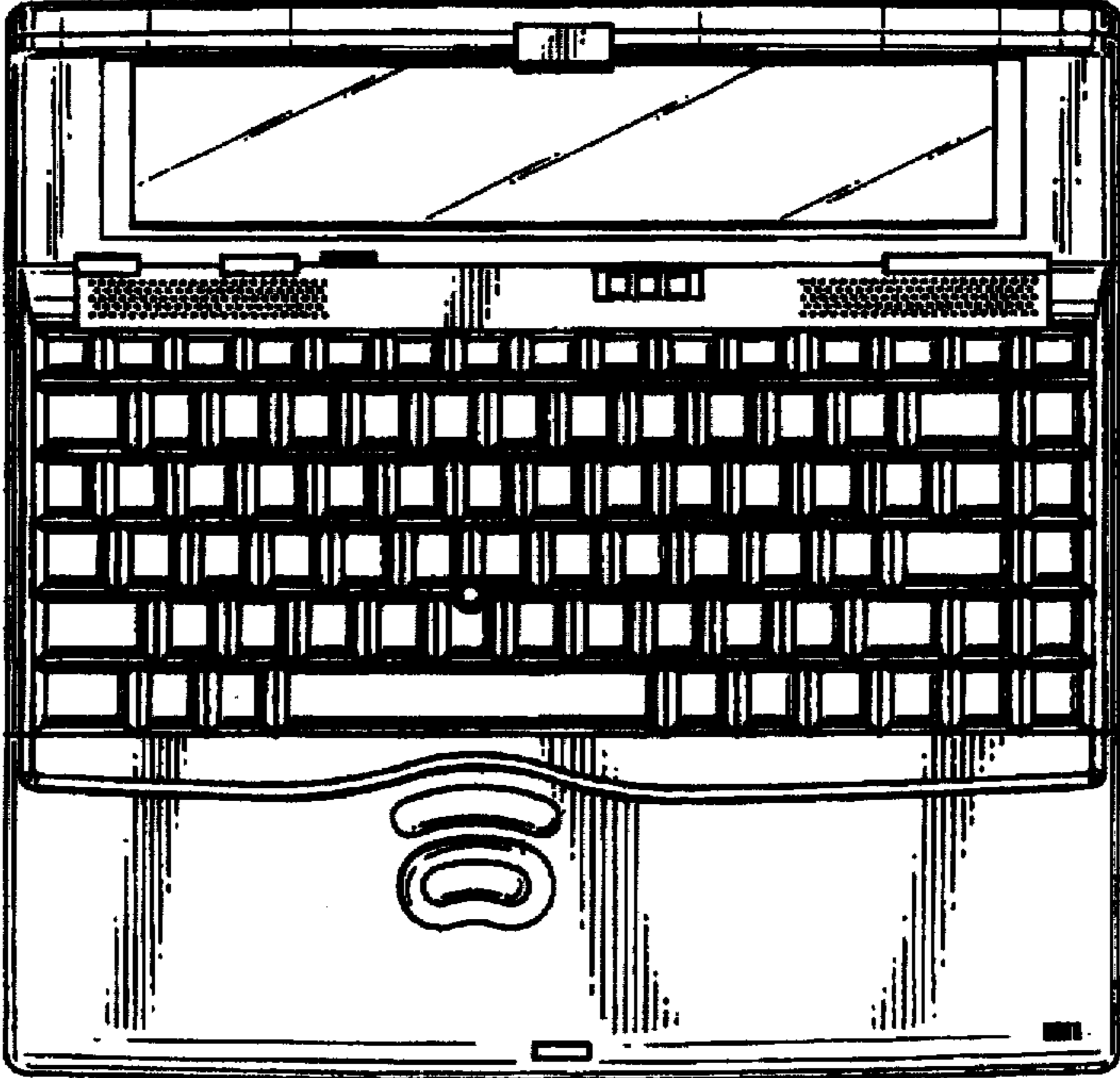


FIG. 5

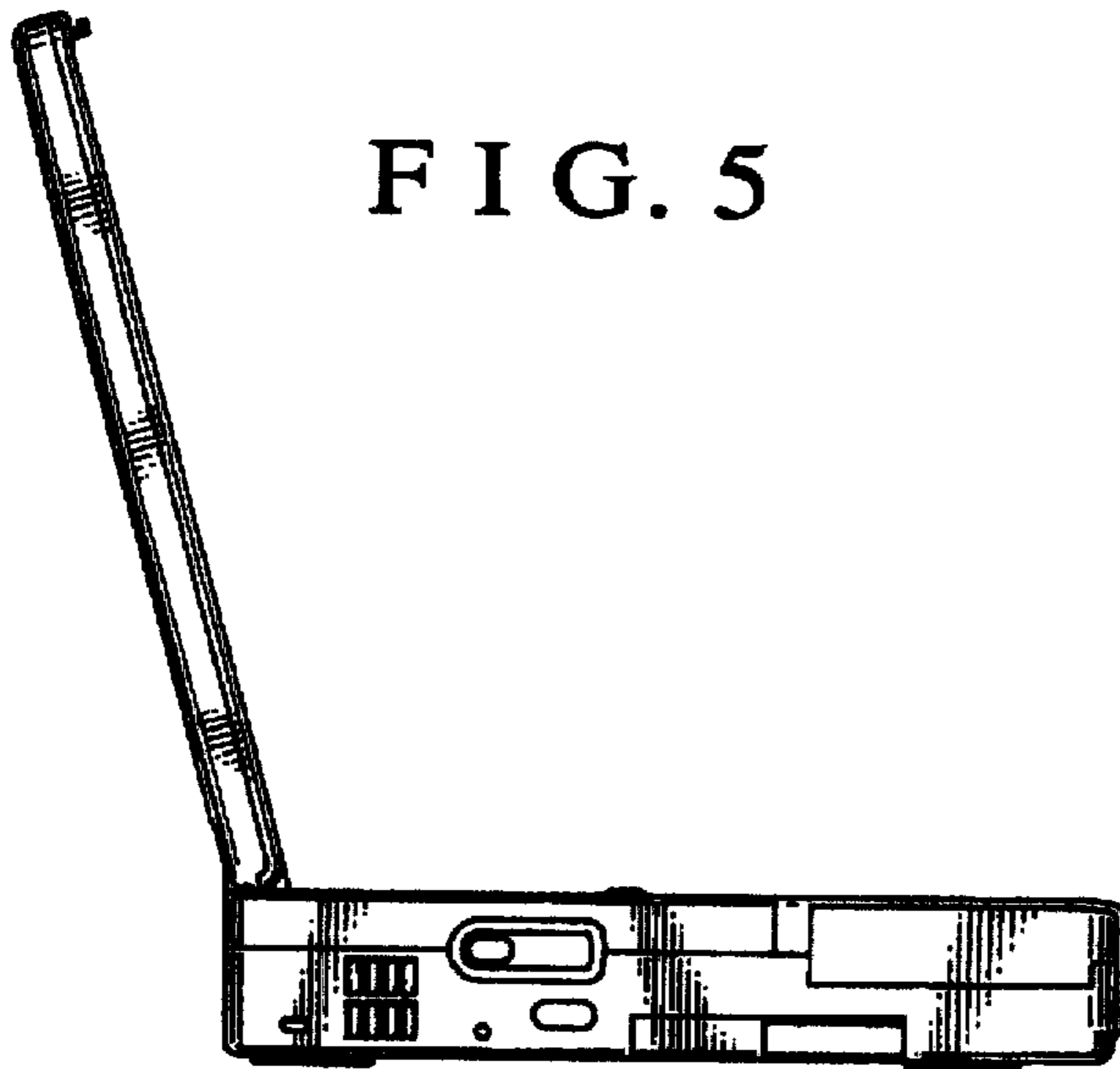


FIG. 6

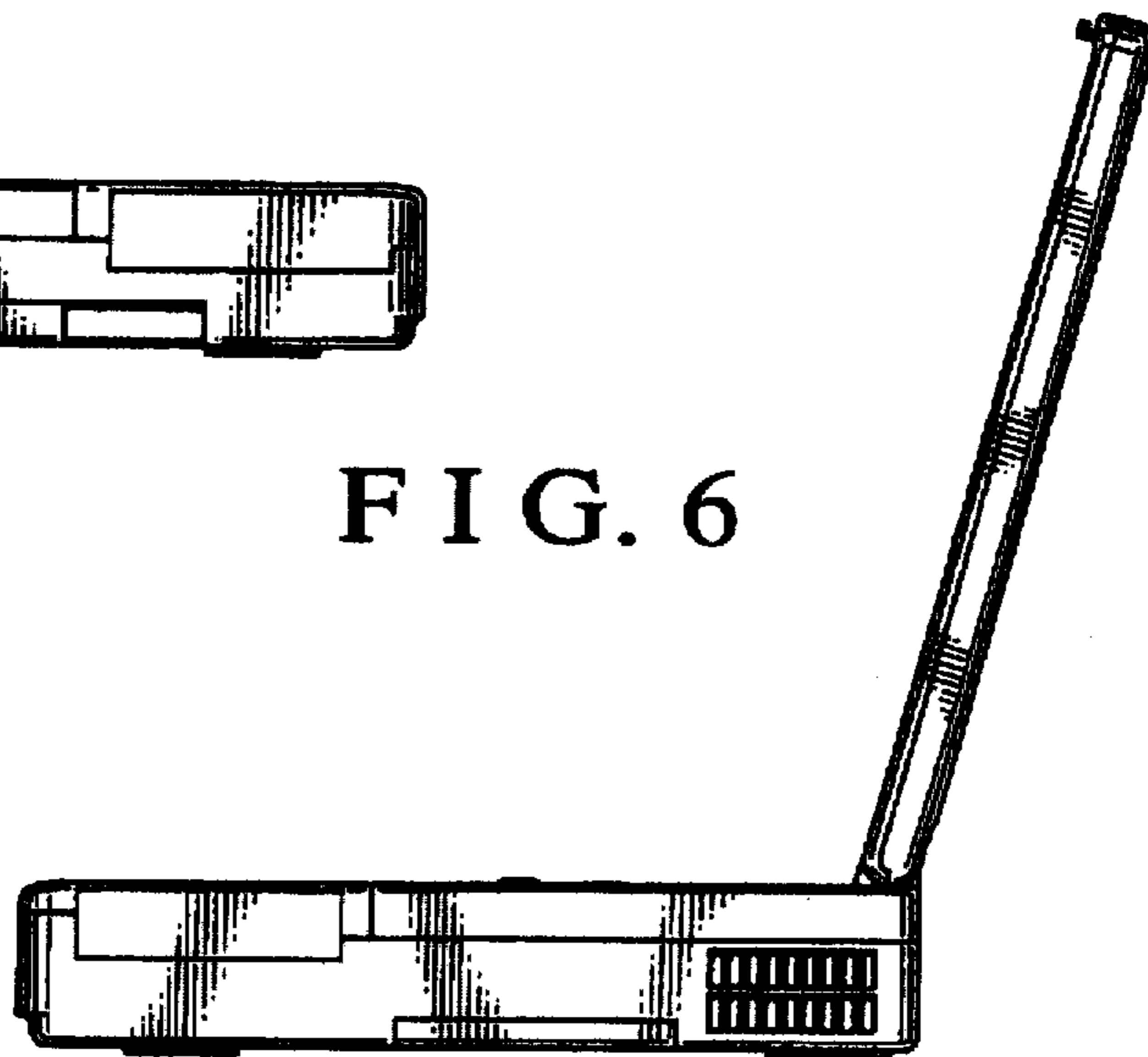


FIG. 7

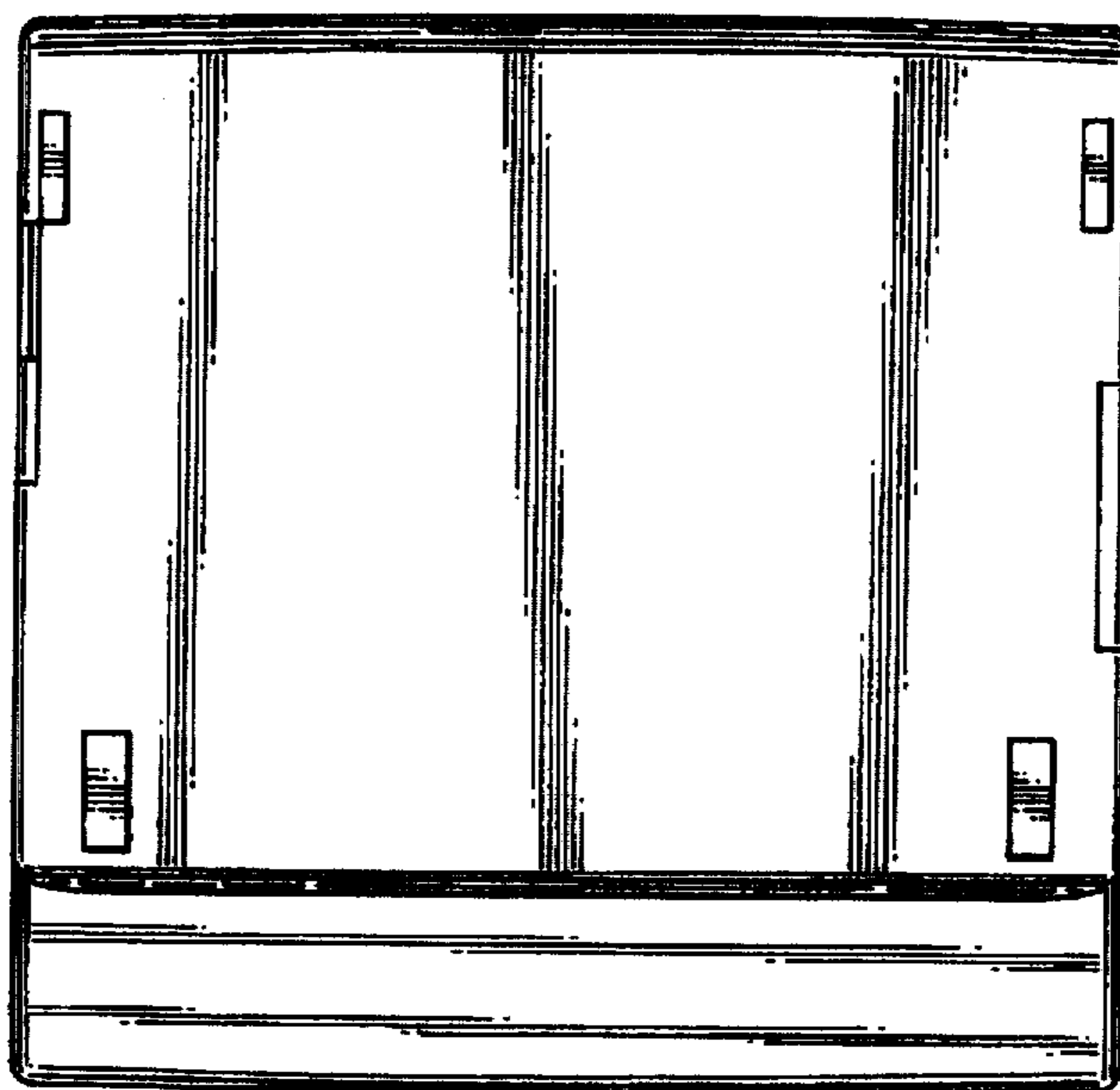


FIG. 8

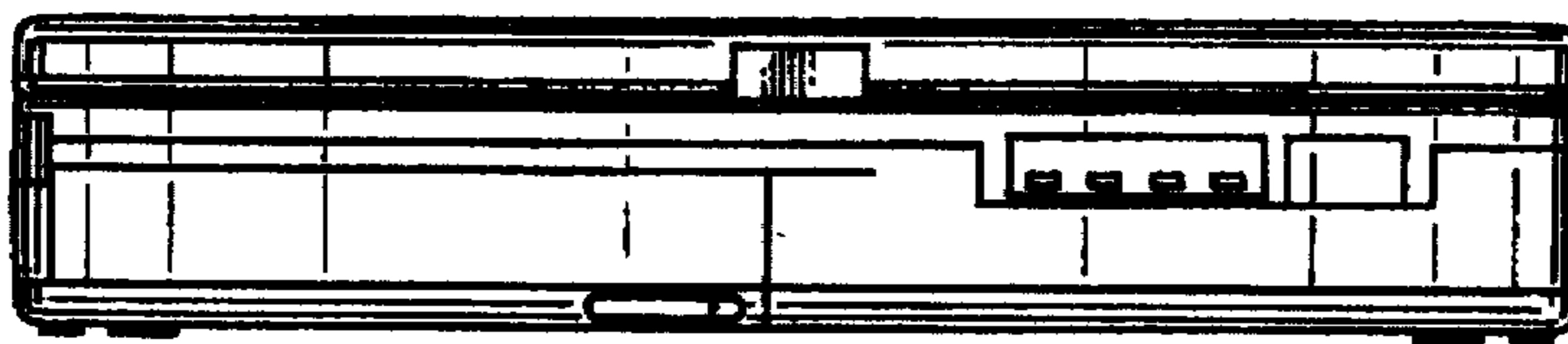


FIG. 9

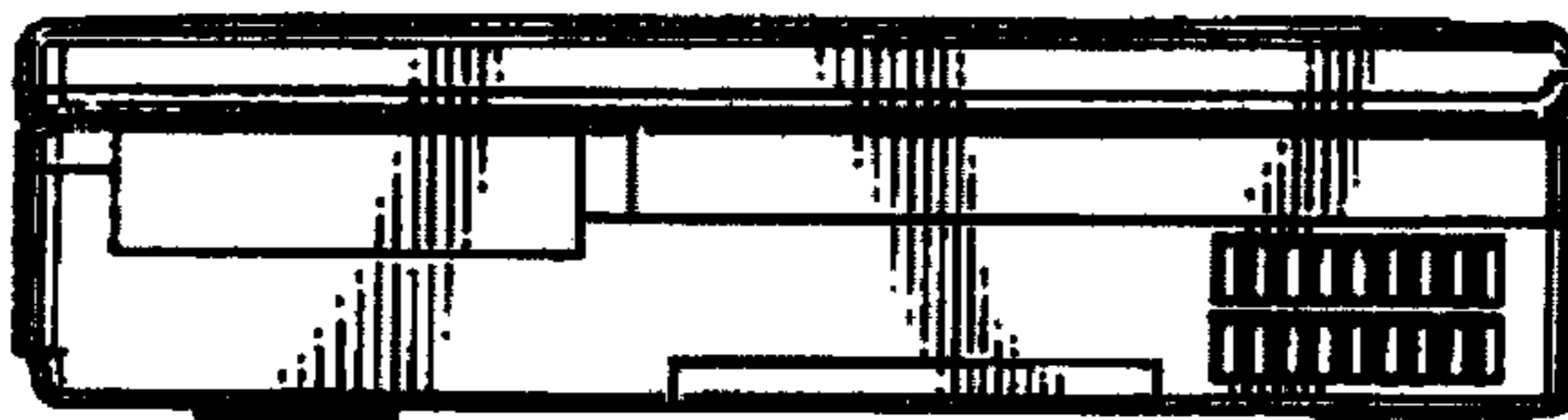


FIG. 10

