



US00D388399S

United States Patent [19]

Widmayer et al.

[11] Patent Number: **Des. 388,399**

[45] Date of Patent: ****Dec. 30, 1997**

[54] **HEAT SINK**

[75] Inventors: **Robert B. Widmayer, Harvard;**
Kenneth W. Larson, Elmhurst, both of Ill.

[73] Assignee: **Motorola, Inc., Schaumburg, Ill.**

[**] Term: **14 Years**

[21] Appl. No.: **51,685**

[22] Filed: **Mar. 15, 1996**

Related U.S. Application Data

[60] Continuation-in-part of Ser. No. 39,970, Jun. 7, 1995, abandoned, which is a division of Ser. No. 28,537, Sep. 19, 1994, Pat. No. Des. 367,469.

[51] LOC (6) Cl. **13-03**

[52] U.S. Cl. **D13/179**

[58] Field of Search **D13/179; 257/706, 257/707, 718-722; 361/704, 709, 710, 718; 165/180, 185; 174/16.3**

[56] References Cited

U.S. PATENT DOCUMENTS

D. 203,543 1/1966 Coe D13/179

D. 292,714	11/1987	Moeller	D13/179 X
D. 316,705	5/1991	Dickey	D13/179
D. 325,832	5/1992	Rochelear et al.	D13/179
D. 338,449	8/1993	Sahyoun	D13/179
4,753,290	6/1988	Gabuzda	165/185
5,343,362	8/1994	Solberg	174/16.3
5,381,859	1/1995	Minakami et al.	165/80.3

Primary Examiner—Joel Sincavage
Attorney, Agent, or Firm—George C. Pappas

[57] CLAIM

The ornamental design for a heat sink, as shown and described.

DESCRIPTION

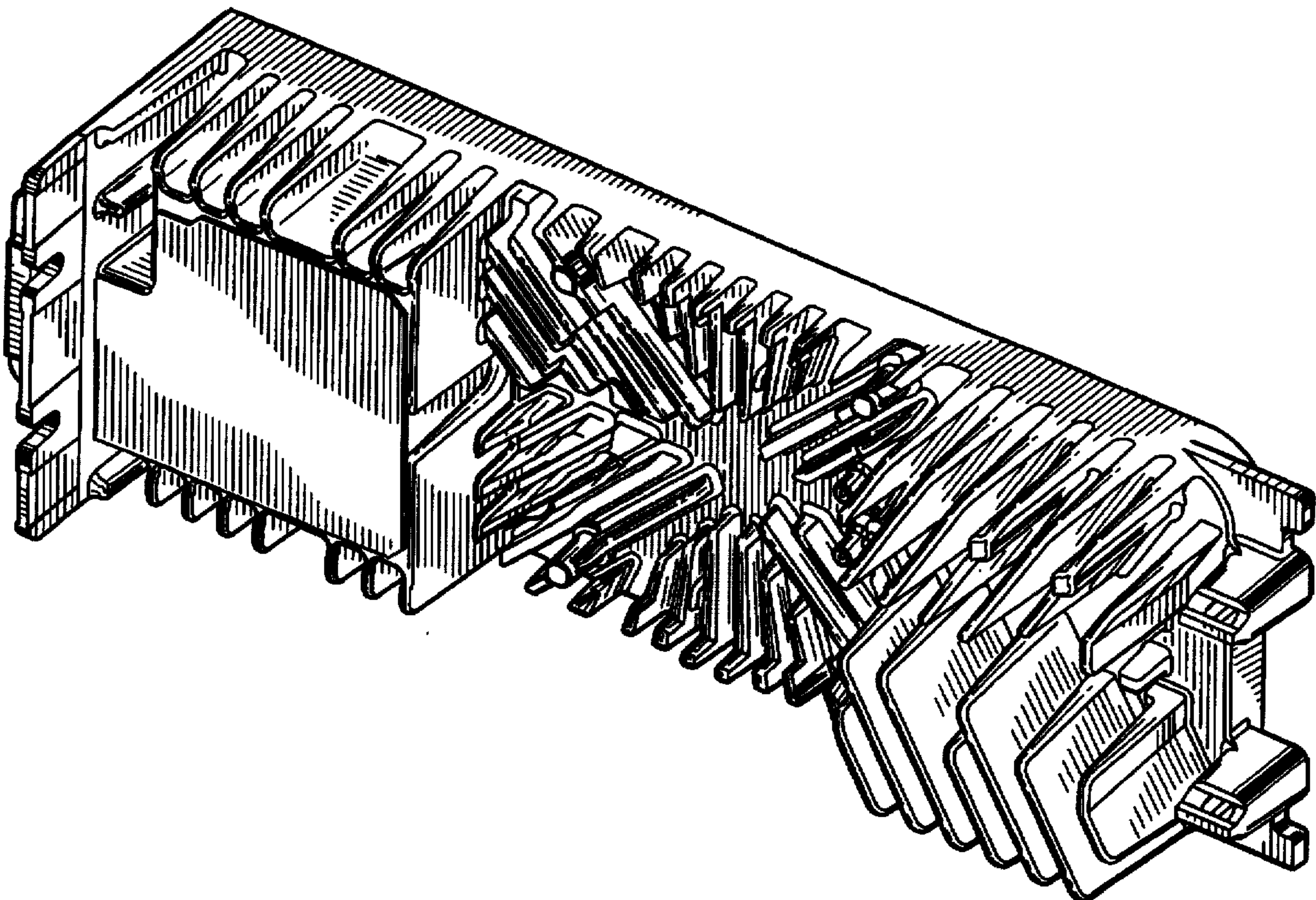
FIG. 1 is a right front top perspective view of our heat sink, in accordance with the present invention;

FIG. 2 is a left side elevational view thereof;

FIG. 3 is a rear plan view thereof; and,

FIG. 4 is a bottom elevational view thereof.

1 Claim, 2 Drawing Sheets



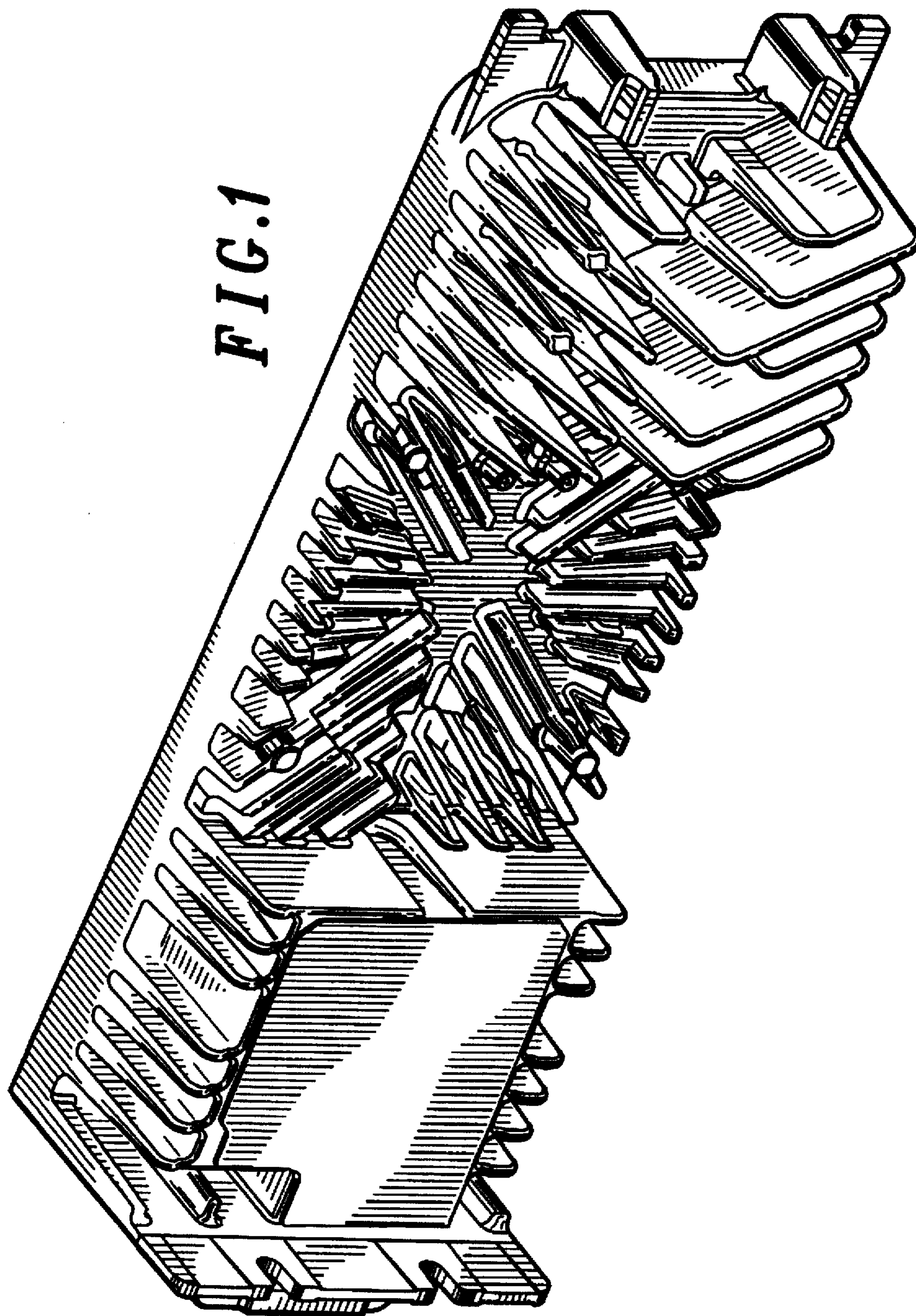


FIG. 1

FIG. 2

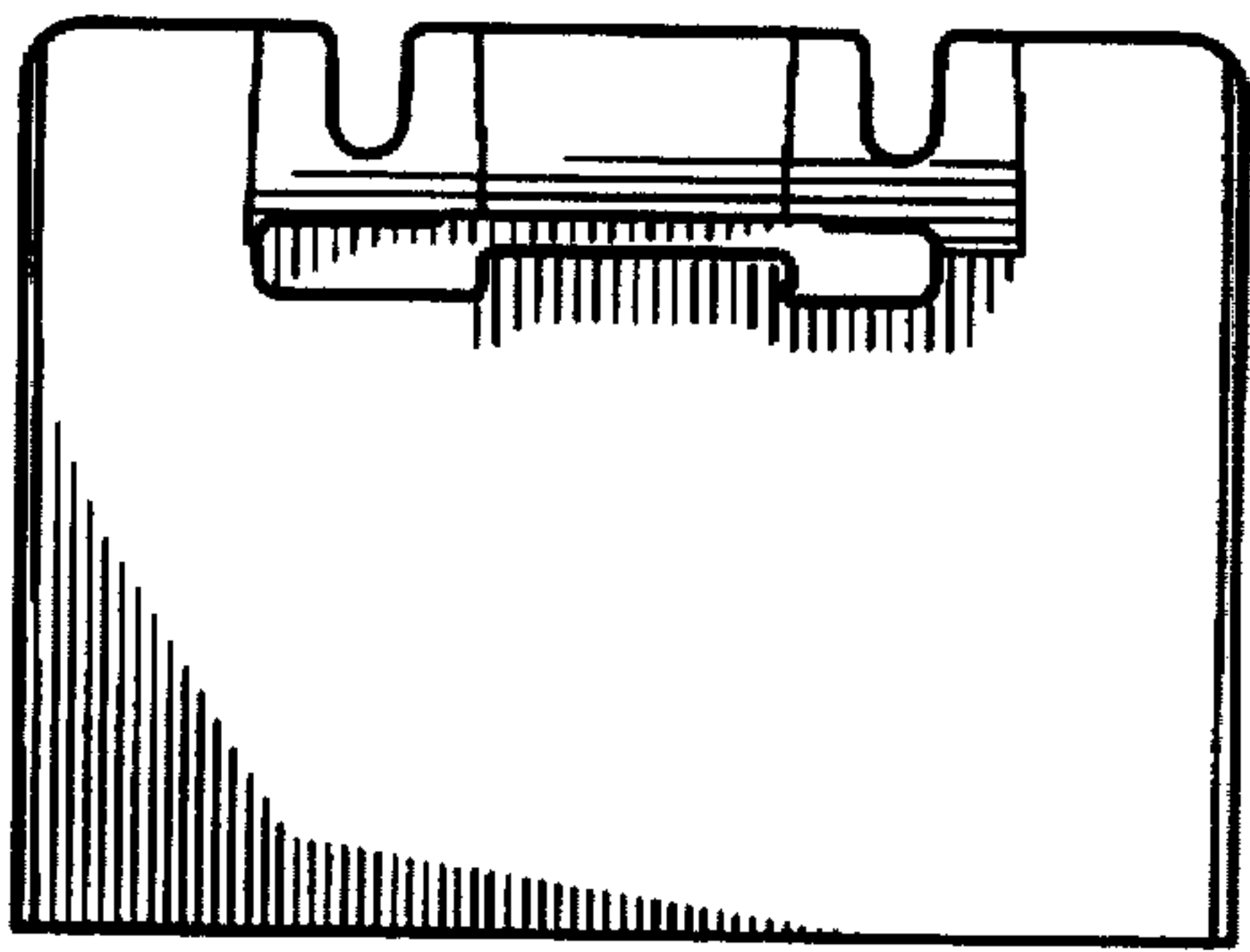


FIG. 3

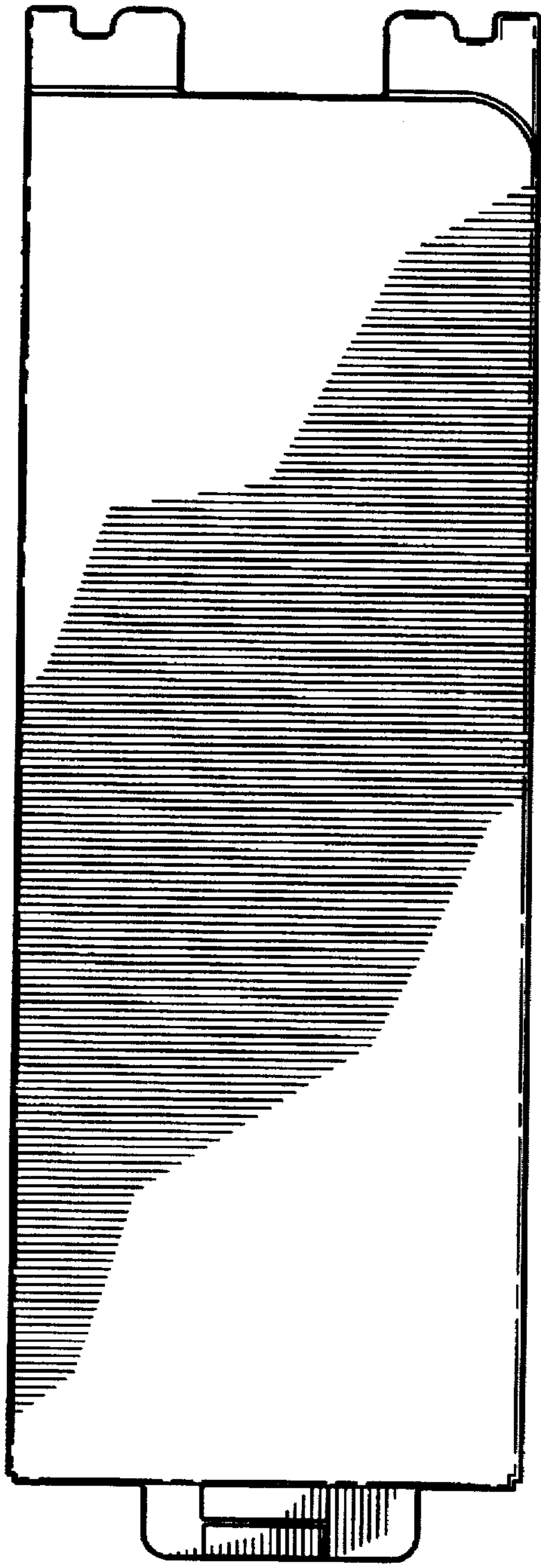


FIG. 4

