



US00D388398S

**United States Patent** [19]  
**Jeong**

[11] **Patent Number: Des. 388,398**

[45] **Date of Patent: \*\*Dec. 30, 1997**

[54] **SWITCH ACTUATOR**

5,036,168 7/1991 Kikuchi et al. .... 200/5 R  
5,564,559 10/1996 Chen ..... 200/339

[76] **Inventor: Thae Hong Jeong, 233-84,  
Changwi-dong, Sungdong-ku, Seoul,  
Rep. of Korea**

**FOREIGN PATENT DOCUMENTS**

1173962 7/1964 Germany ..... D13/169  
852785 11/1960 United Kingdom ..... 200/315

[\*\*] **Term: 14 Years**

*Primary Examiner*—Joel Sincavage  
*Attorney, Agent, or Firm*—Lowe, Price, LeBlanc & Becker

[21] **Appl. No.: 54,326**

[22] **Filed: May 9, 1996**

[57] **CLAIM**

The ornamental design for switch actuator, as shown and described.

**Related U.S. Application Data**

**DESCRIPTION**

[63] **Continuation-in-part of Ser. No. 27,998, Sep. 23, 1994,  
abandoned.**

[51] **LOC (6) Cl. .... 13-02**

[52] **U.S. Cl. .... D13/174**

[58] **Field of Search .... D13/169; 200/339,  
200/315, 296**

FIG. 1 is a perspective view of switch actuator of my invention;

FIG. 2 is a front view of FIG. 1;

FIG. 3 is a rear view of FIG. 1;

FIG. 4 is a right side view of FIG. 1;

FIG. 5 is a left side view of FIG. 1; and,

FIG. 6 is a top plan view of FIG. 1;

The broken line shown throughout the views is included for the purpose of illustrating environmental structure only and forms no part of the design.

[56] **References Cited**

**U.S. PATENT DOCUMENTS**

D. 331,743 12/1992 Fujiyoshi ..... D13/169  
4,757,168 7/1988 Fujiyoshi et al. .... 200/296  
4,975,547 12/1990 Nakayama et al. .... 200/315 X

**1 Claim, 4 Drawing Sheets**

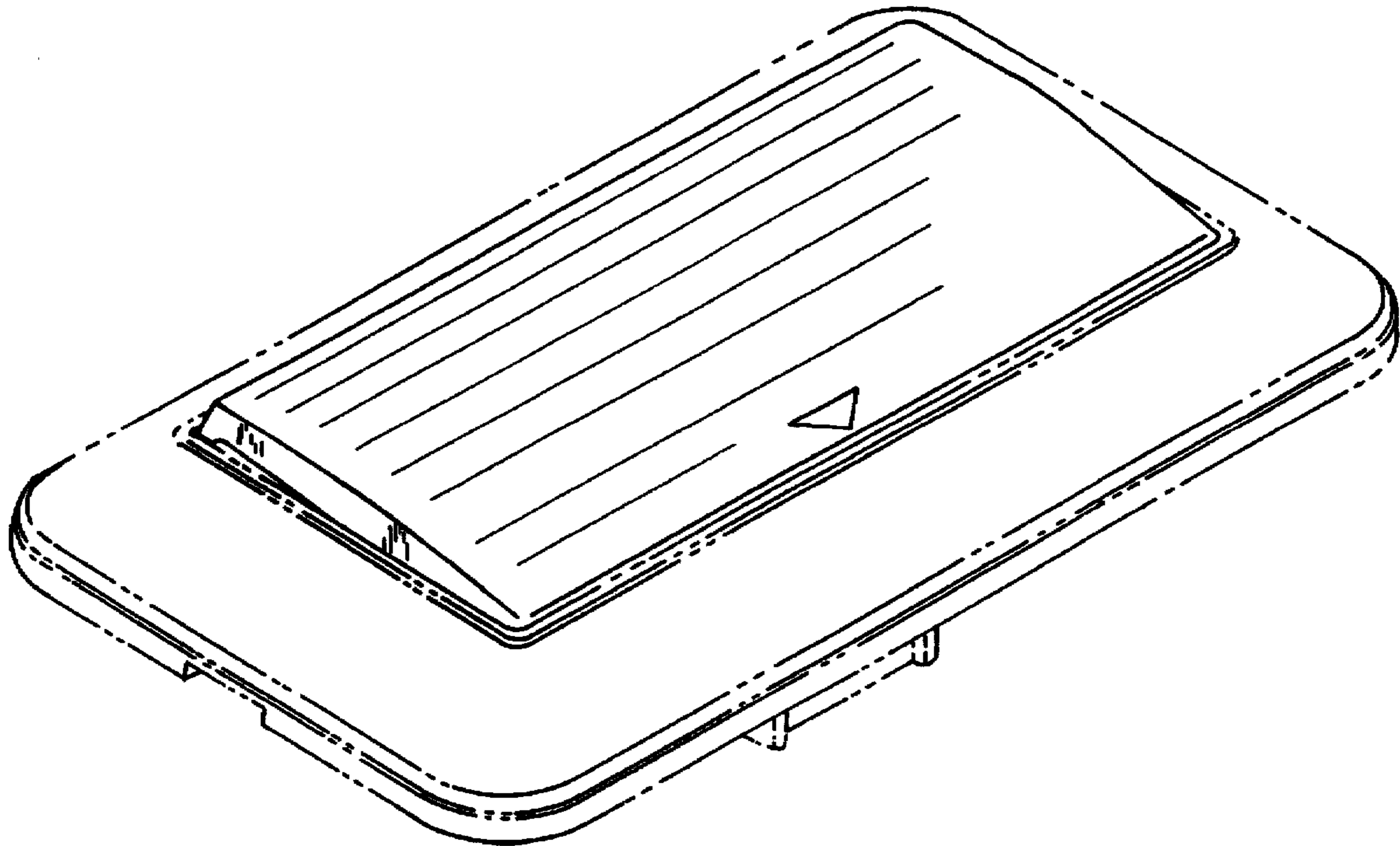


FIG. 1

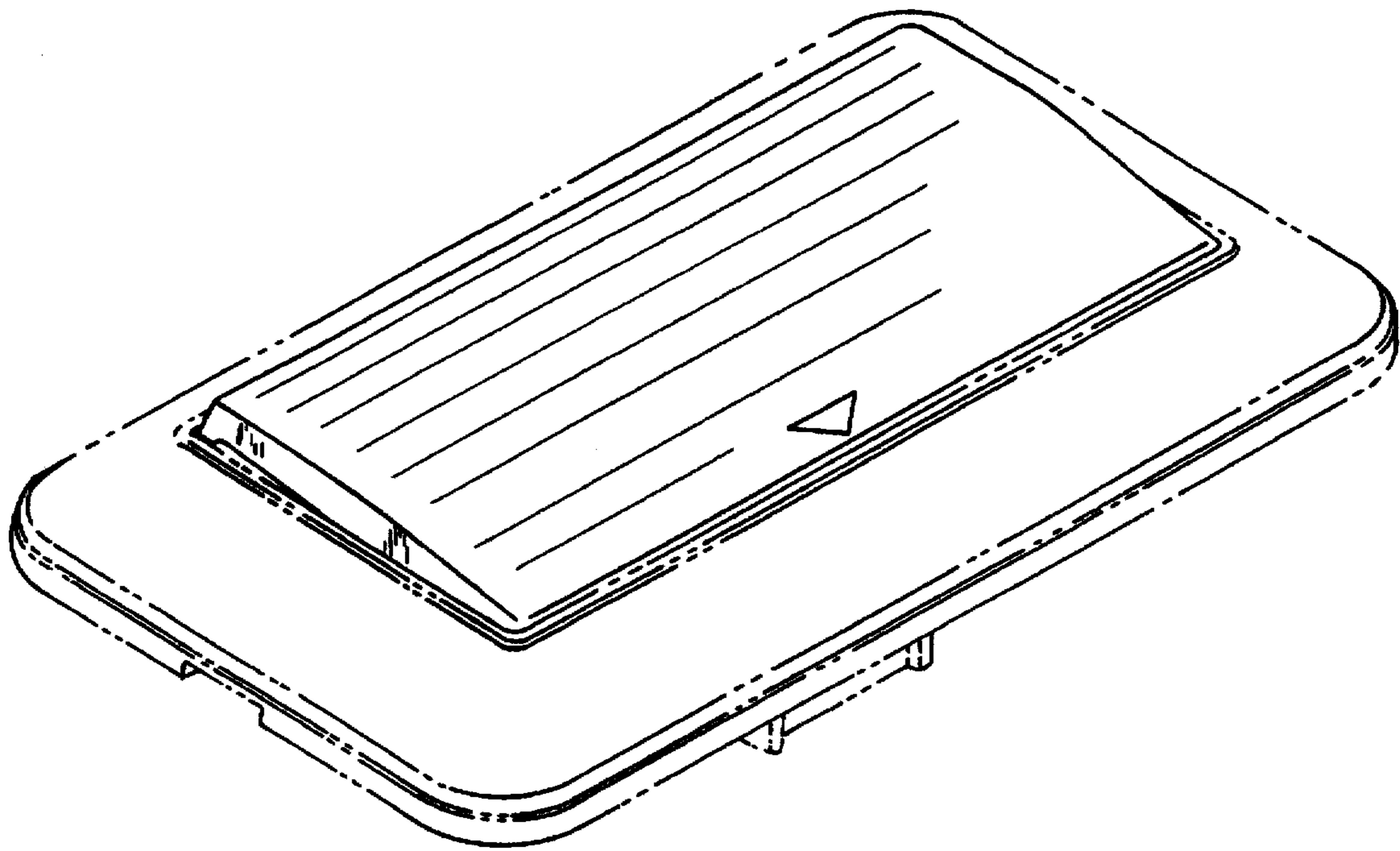


FIG. 2

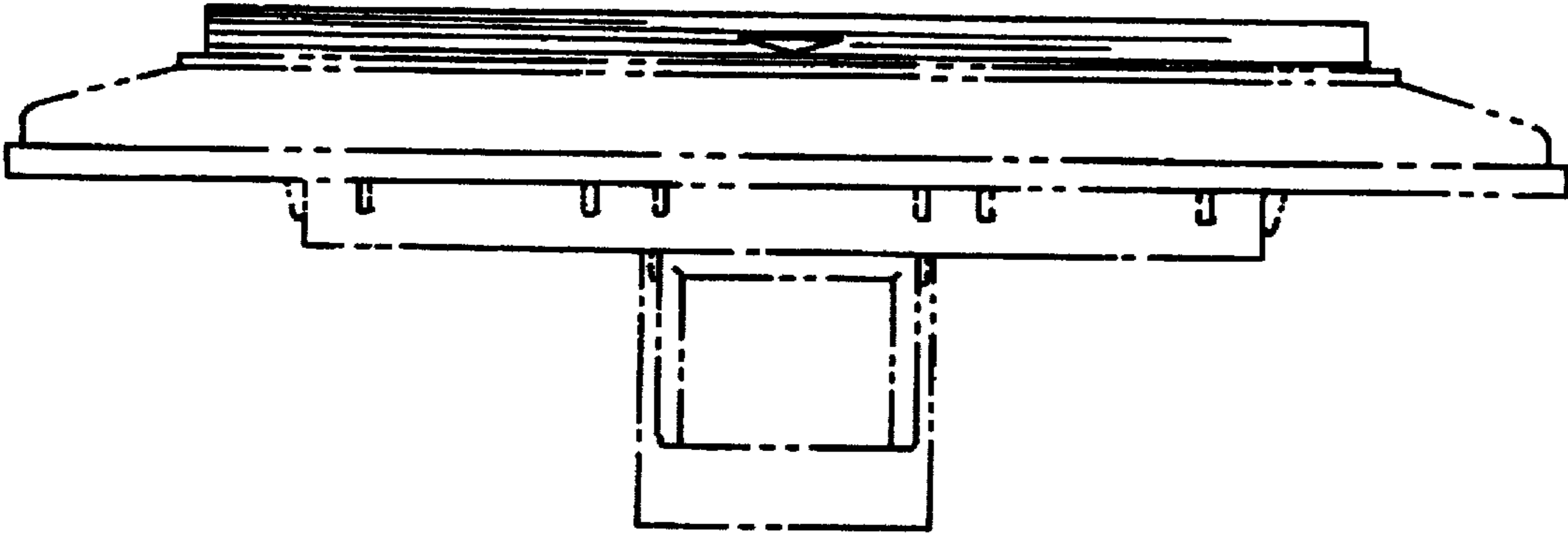


FIG. 3

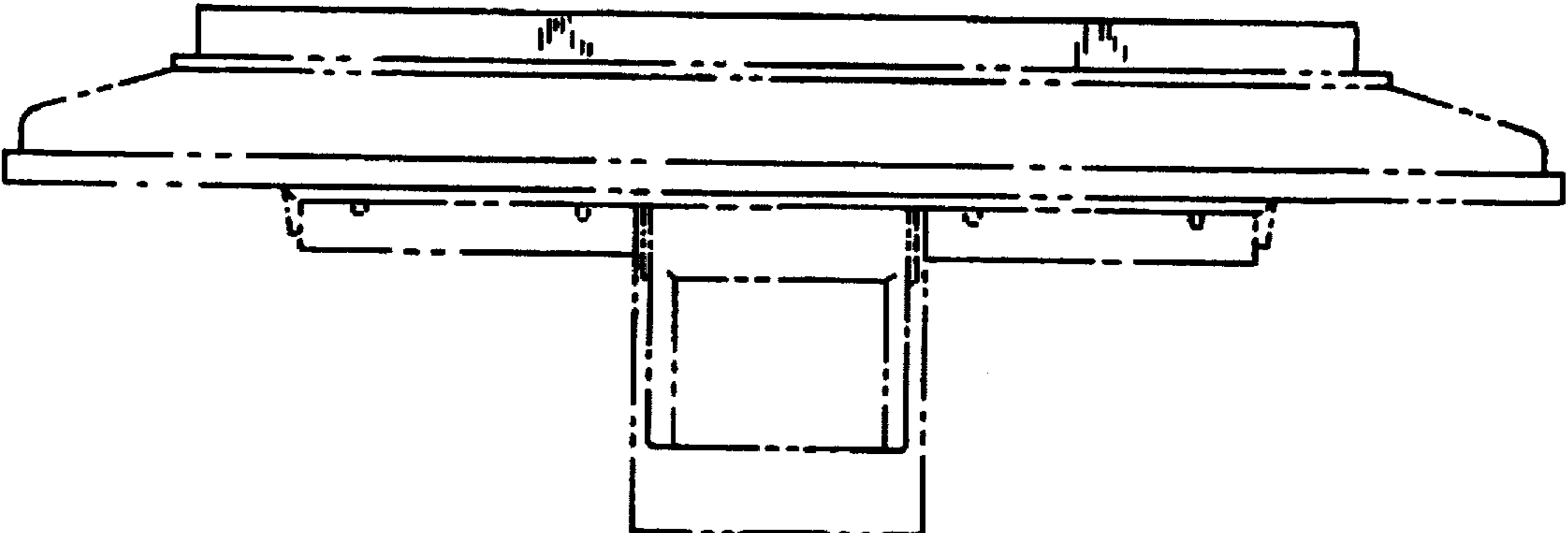


FIG. 4

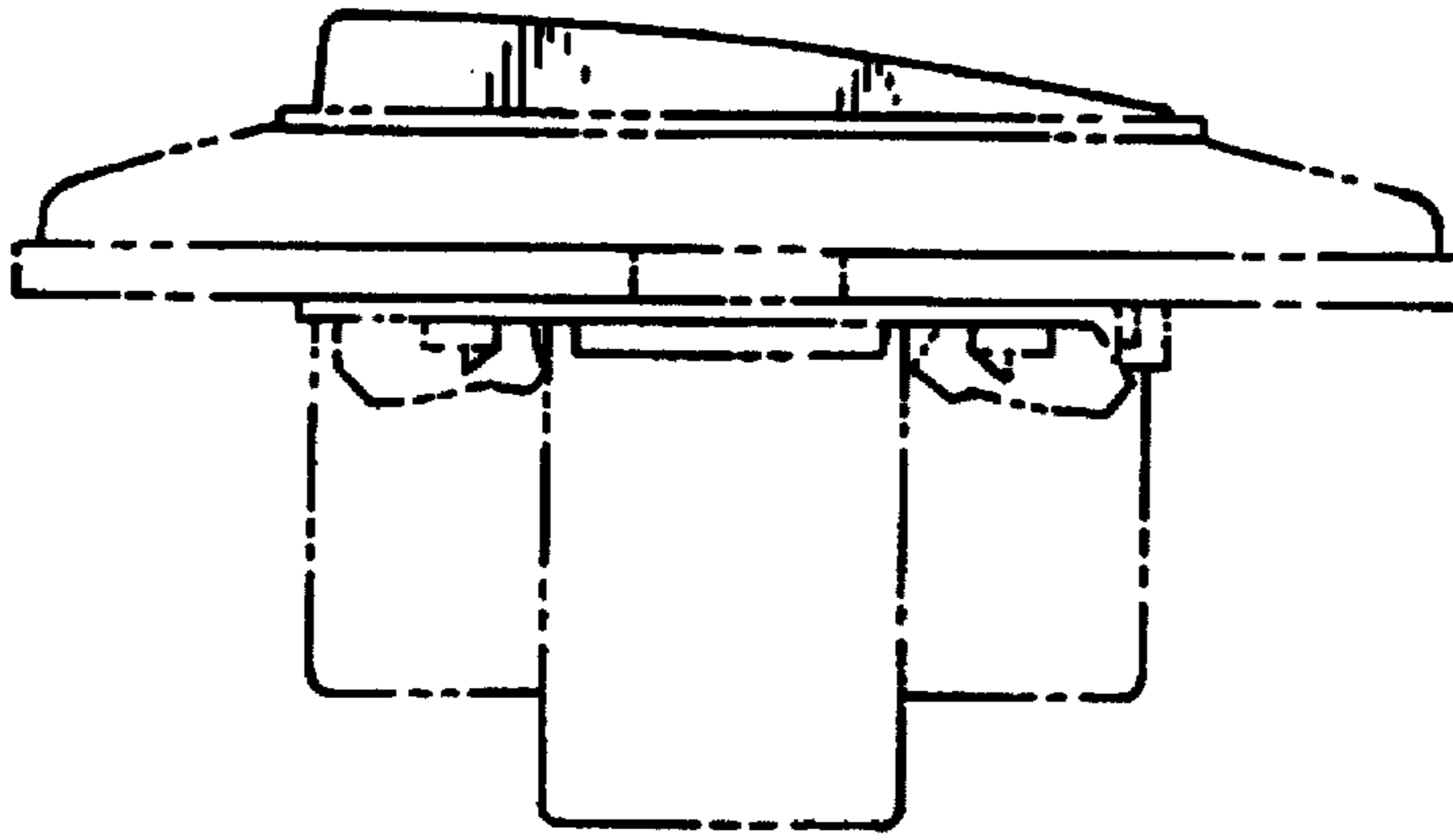


FIG. 5

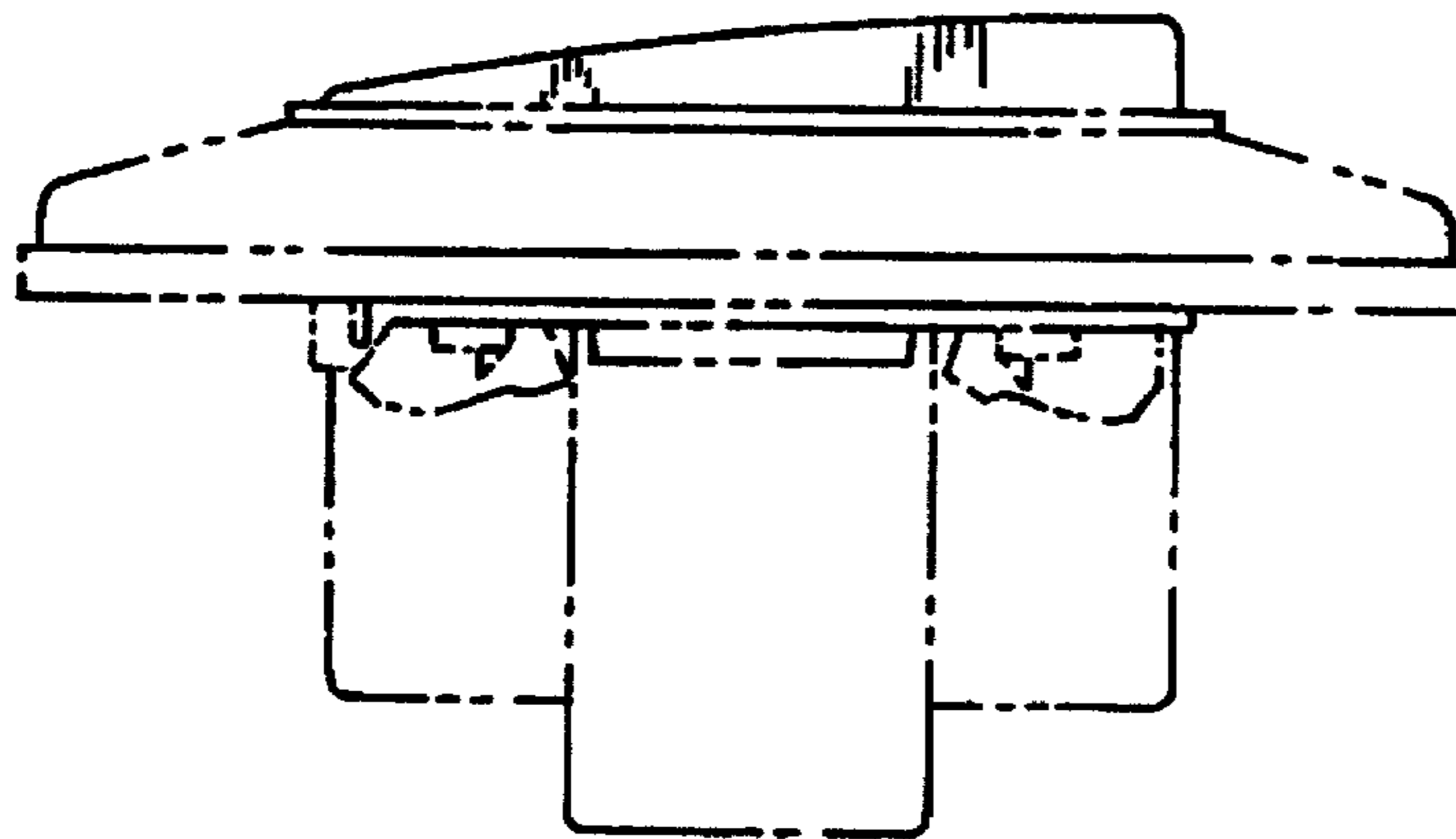


FIG. 6

