



US00D388397S

United States Patent [19]

Larizza

[11] Patent Number: **Des. 388,397**

[45] Date of Patent: ****Dec. 30, 1997**

[54] **REMOTE DOORBELL ACTUATOR UNIT FOR AUTOMOBILES**

[76] Inventor: **Michael Larizza**, 732 Gardenia Ave., Long Beach, Calif. 90813

[**] Term: **14 Years**

[21] Appl. No.: **55,364**

[22] Filed: **Jun. 4, 1996**

[51] LOC (6) CL **13-03**

[52] U.S. Cl. **D13/168; D10/116; D13/169**

[58] Field of Search **D13/168, 169; D10/116; D14/214; 340/384.1, 392.1, 393.3, 396.1, 825.69, 825.72; 341/176; 348/734; 455/89, 90, 95**

[56] **References Cited**

U.S. PATENT DOCUMENTS

D. 216,395	12/1969	Gallup	D13/169
D. 221,083	7/1971	Kahn	D13/169 X
D. 251,909	5/1979	Larson	D14/214
D. 293,779	1/1988	Dantoft	D13/169 X
D. 323,613	2/1992	Cummins et al.	D13/169 X
D. 347,435	5/1994	Snell	D14/214

Primary Examiner—James Gandy
Assistant Examiner—Cathron B. Matta
Attorney, Agent, or Firm—Harold H. Dutton, Jr.

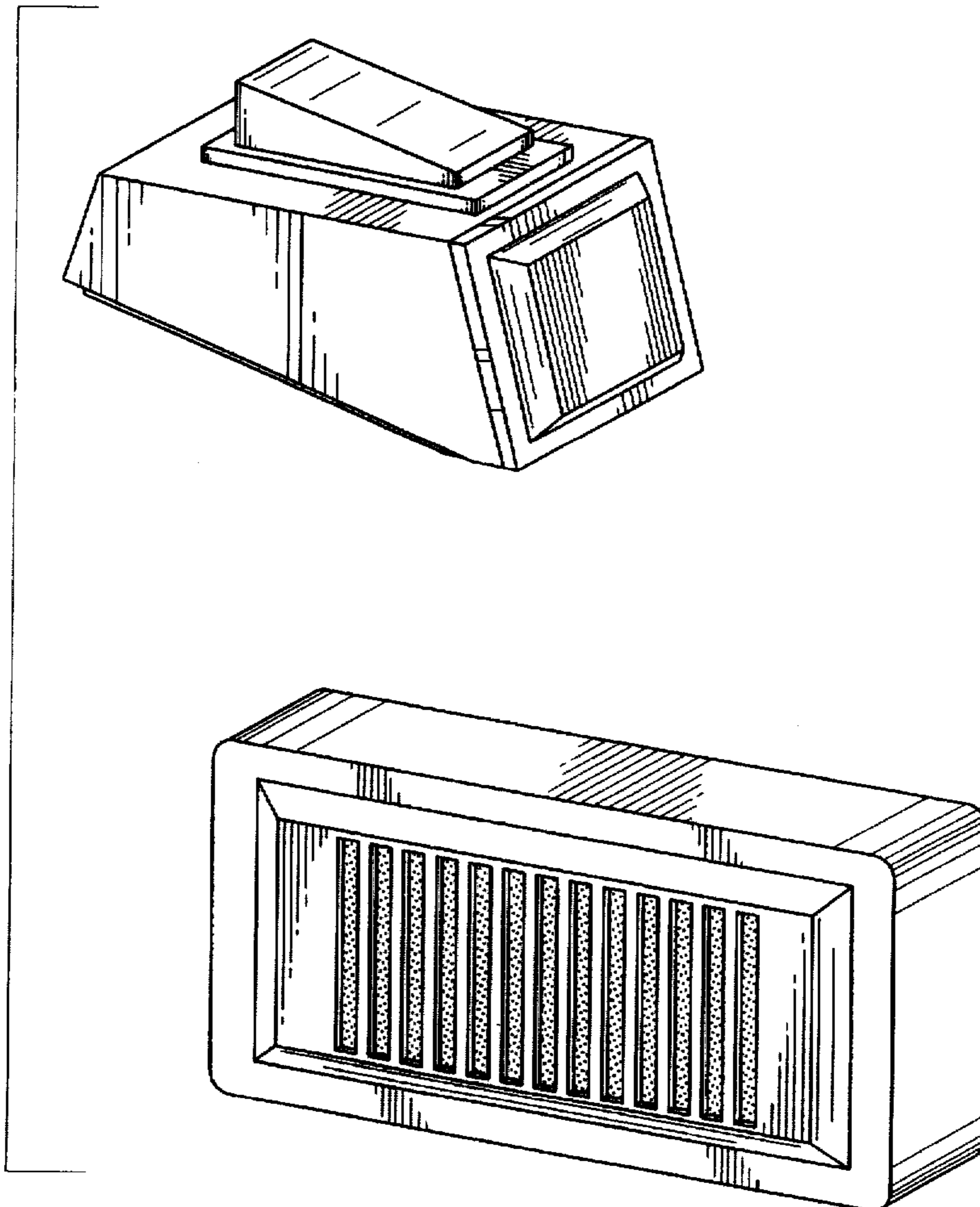
[57] **CLAIM**

The ornamental design for a remote doorbell actuator unit for automobiles, as shown and described.

DESCRIPTION

FIG. 1 is an exploded perspective view of a remote doorbell actuator unit for automobiles showing my new design; FIG. 2 is right side view of the actuator portion thereof; FIG. 3 is a left side view thereof; FIG. 4 is a front view thereof; FIG. 5 is a rear view thereof; FIG. 6 is a top view thereof; FIG. 7 is a bottom view thereof; FIG. 8 is a front view of the tone emitting portion thereof; FIG. 9 is a rear view thereof; FIG. 10 is a top view thereof; the bottom view is a mirror image thereof; and, FIG. 11 is a right side view; and the left side view is a mirror image thereof.

1 Claim, 6 Drawing Sheets



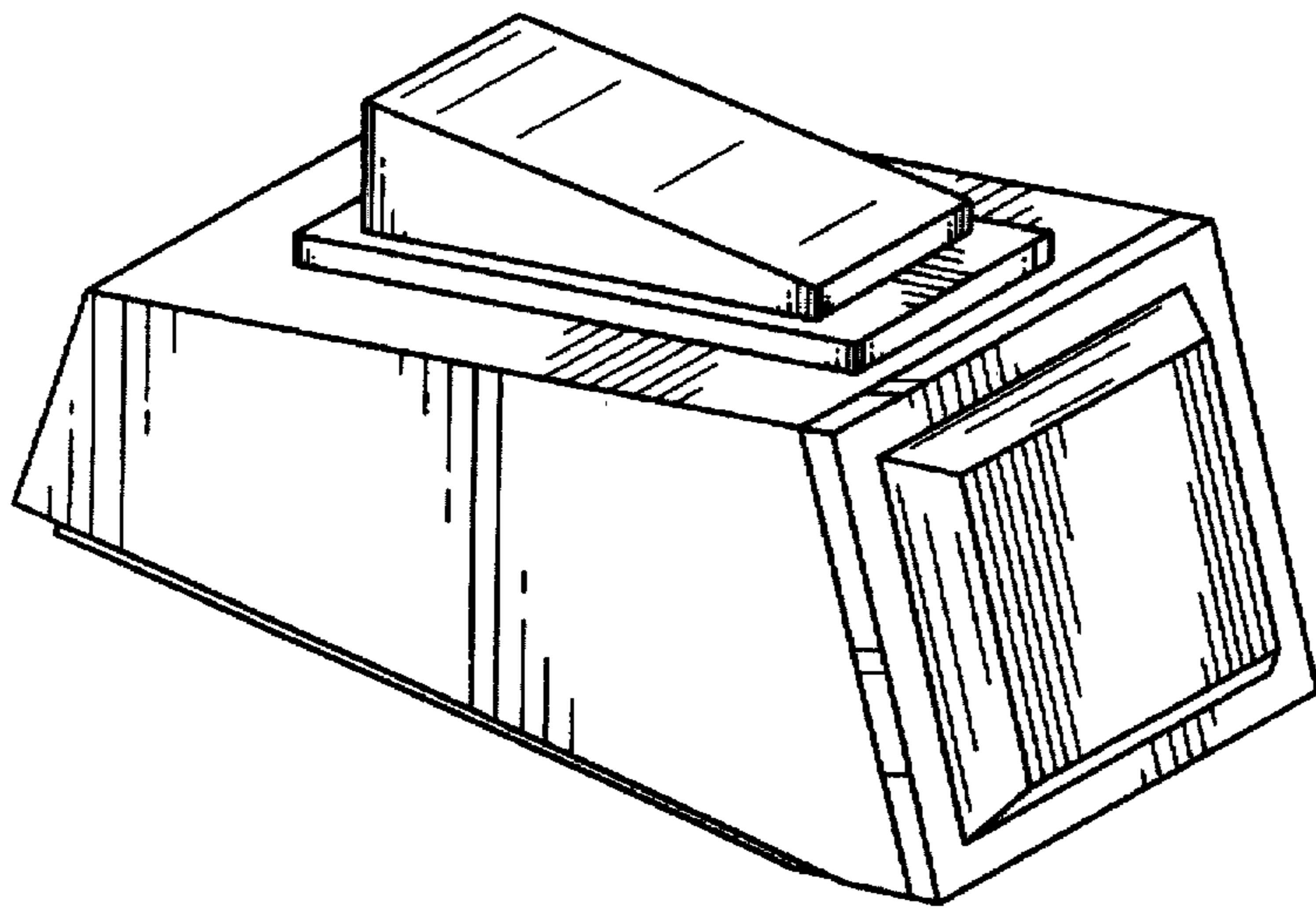
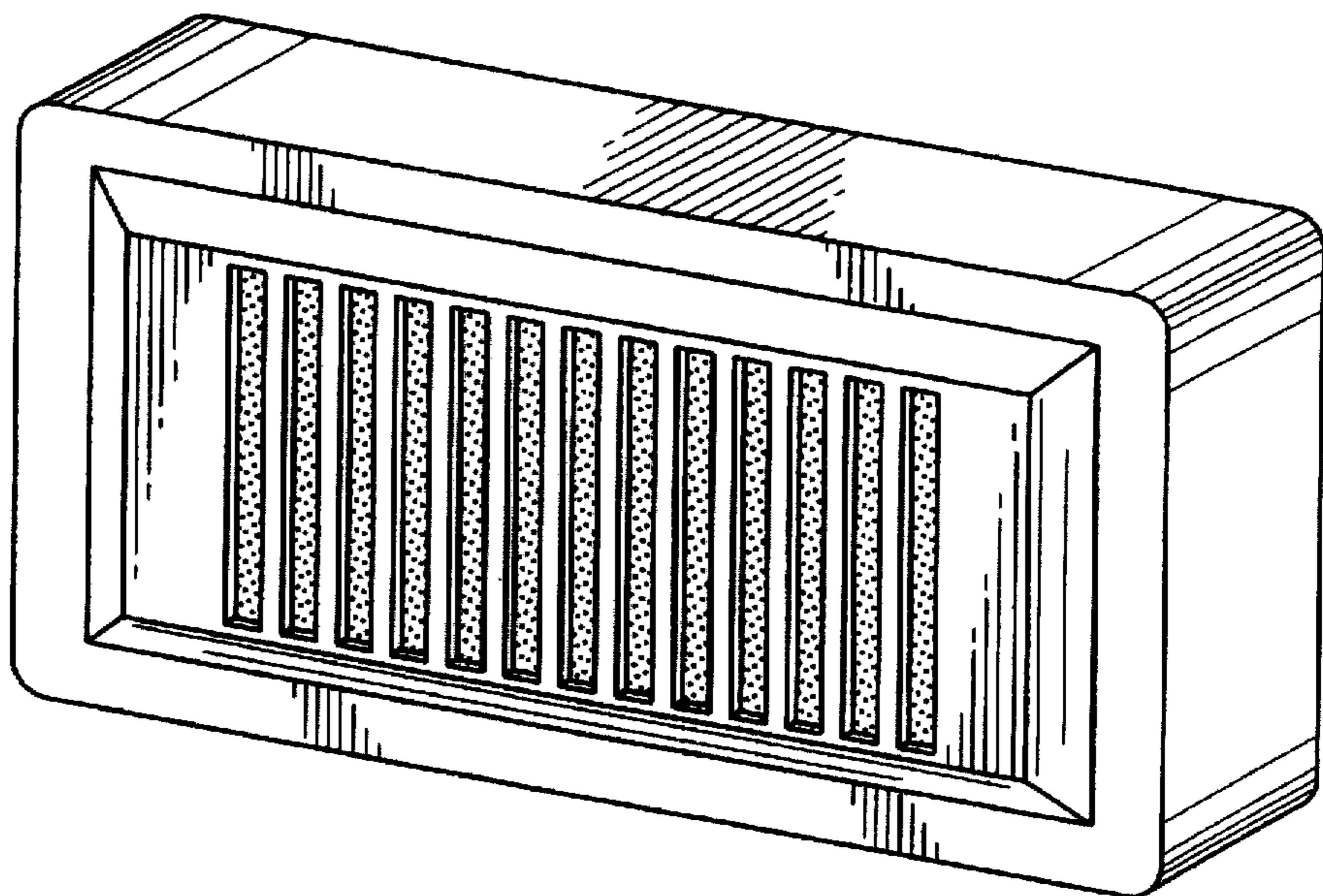


FIG. 1



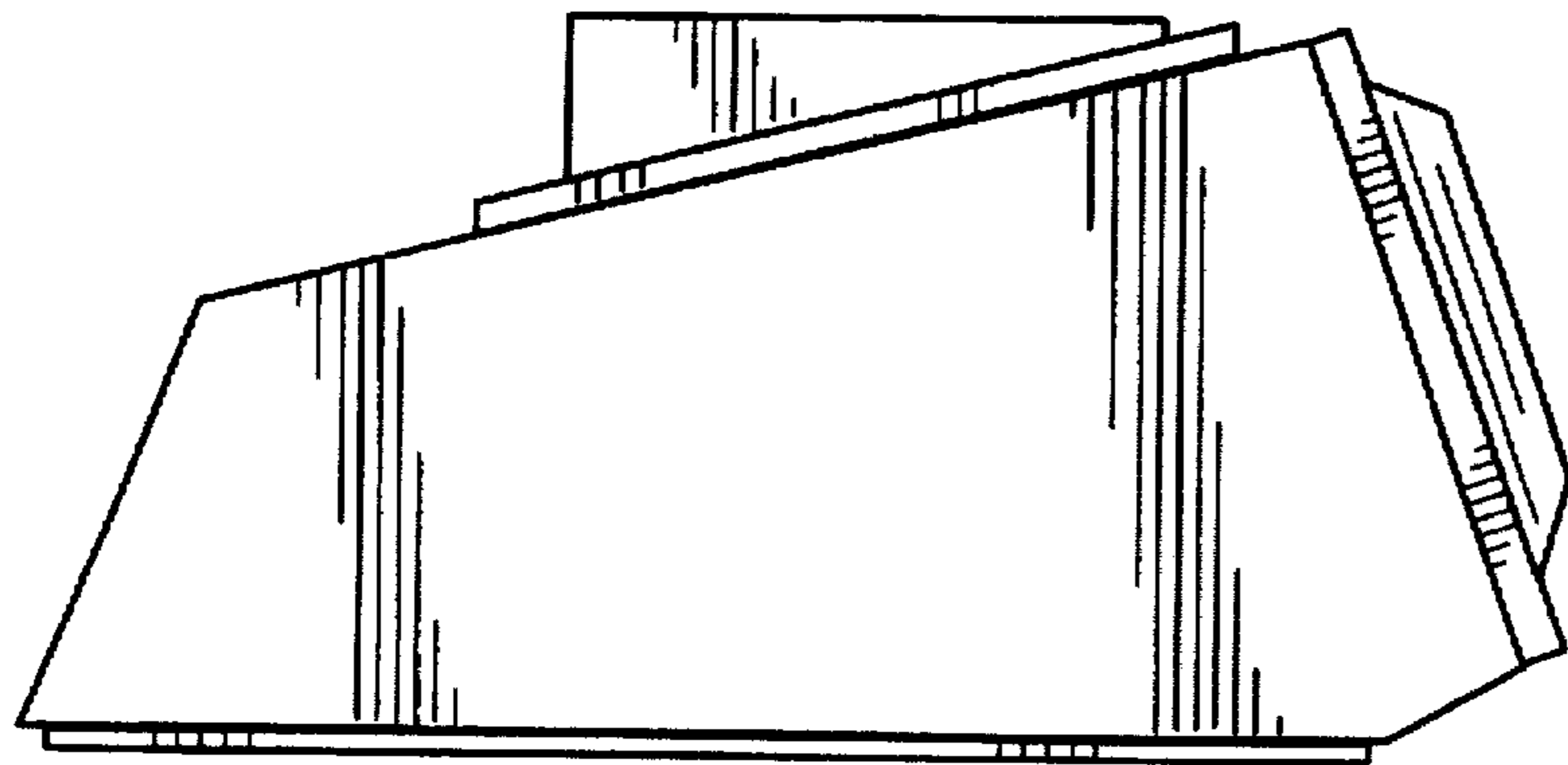


FIG. 2

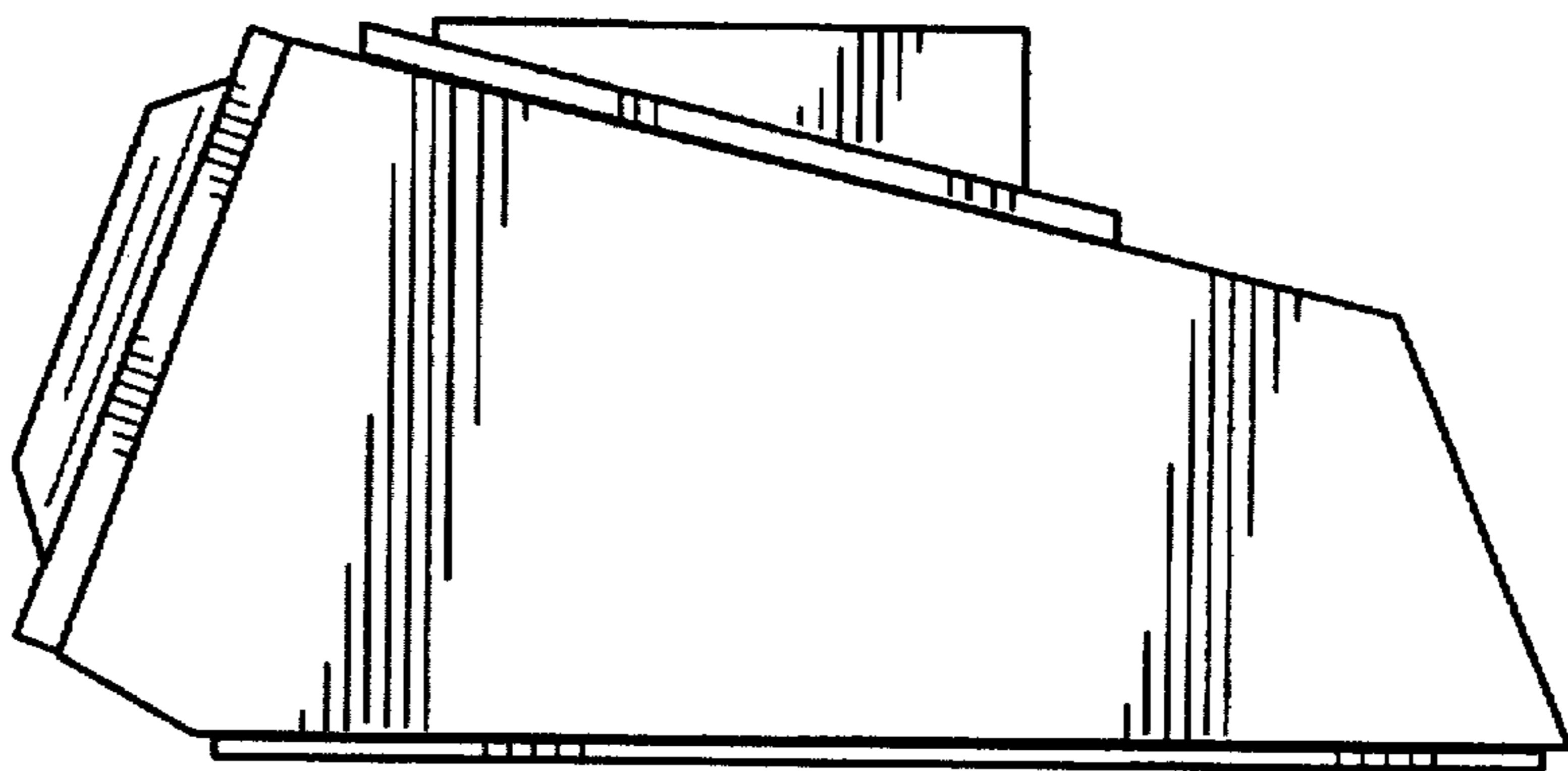


FIG. 3

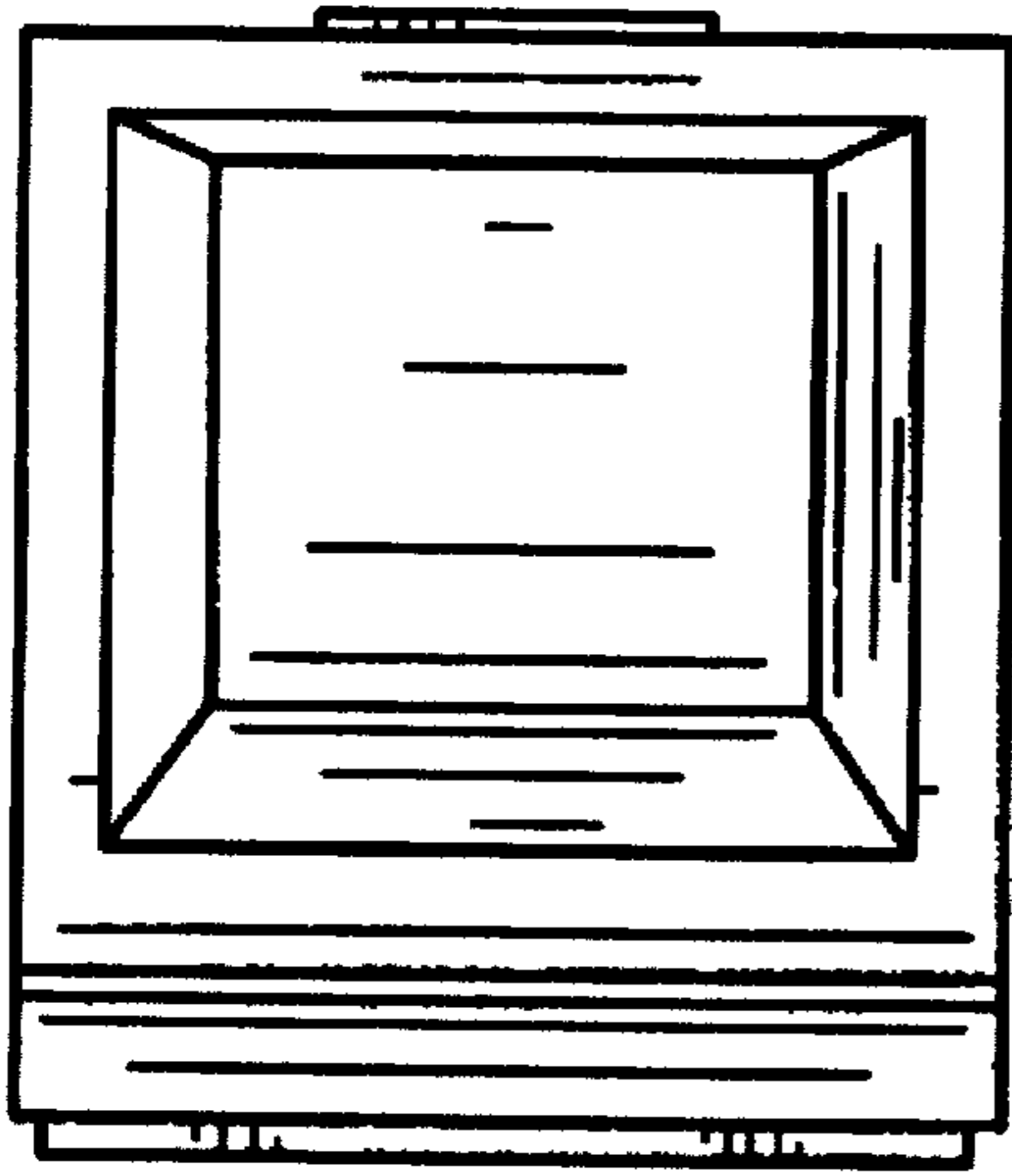


FIG. 4

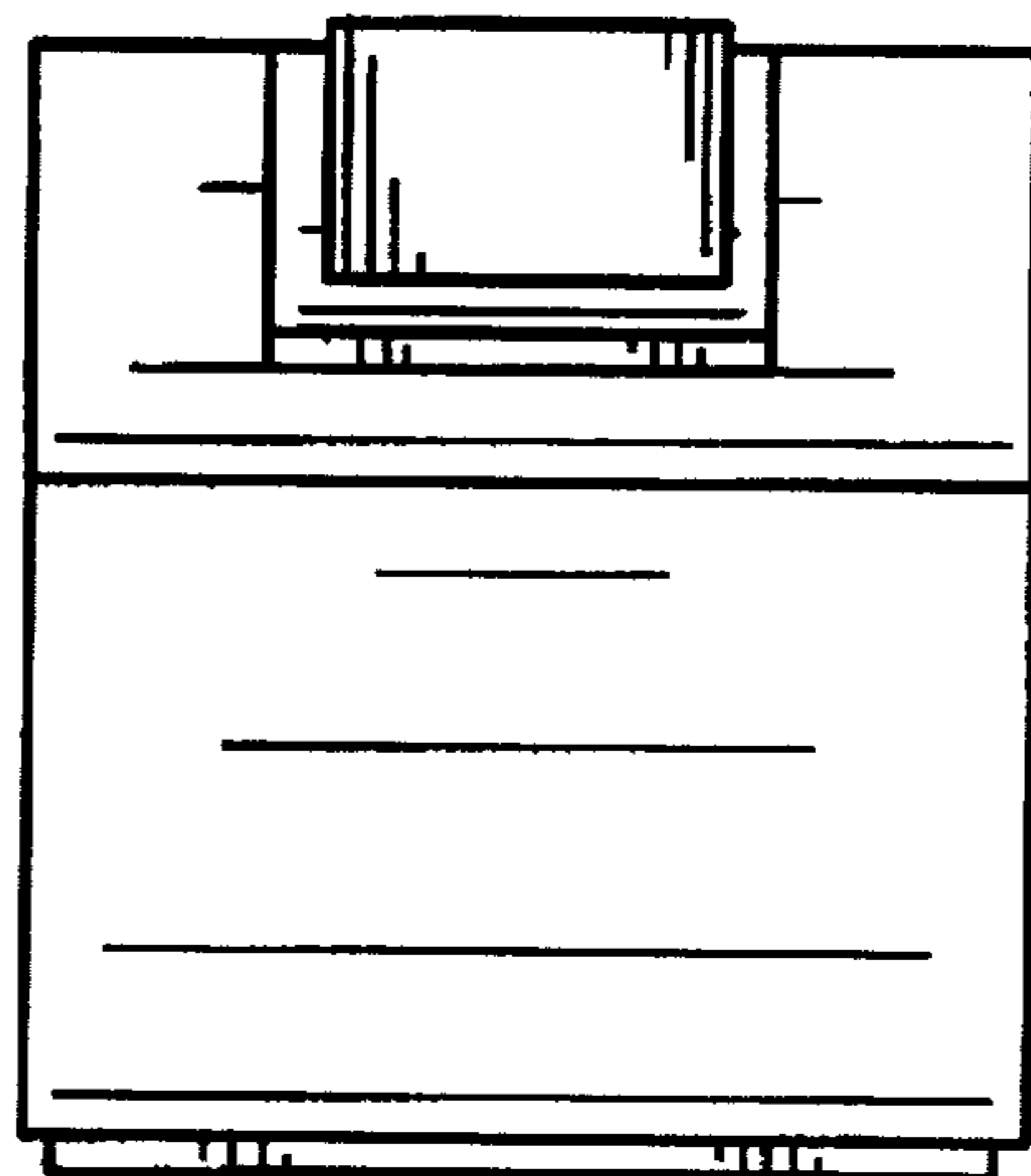


FIG. 5

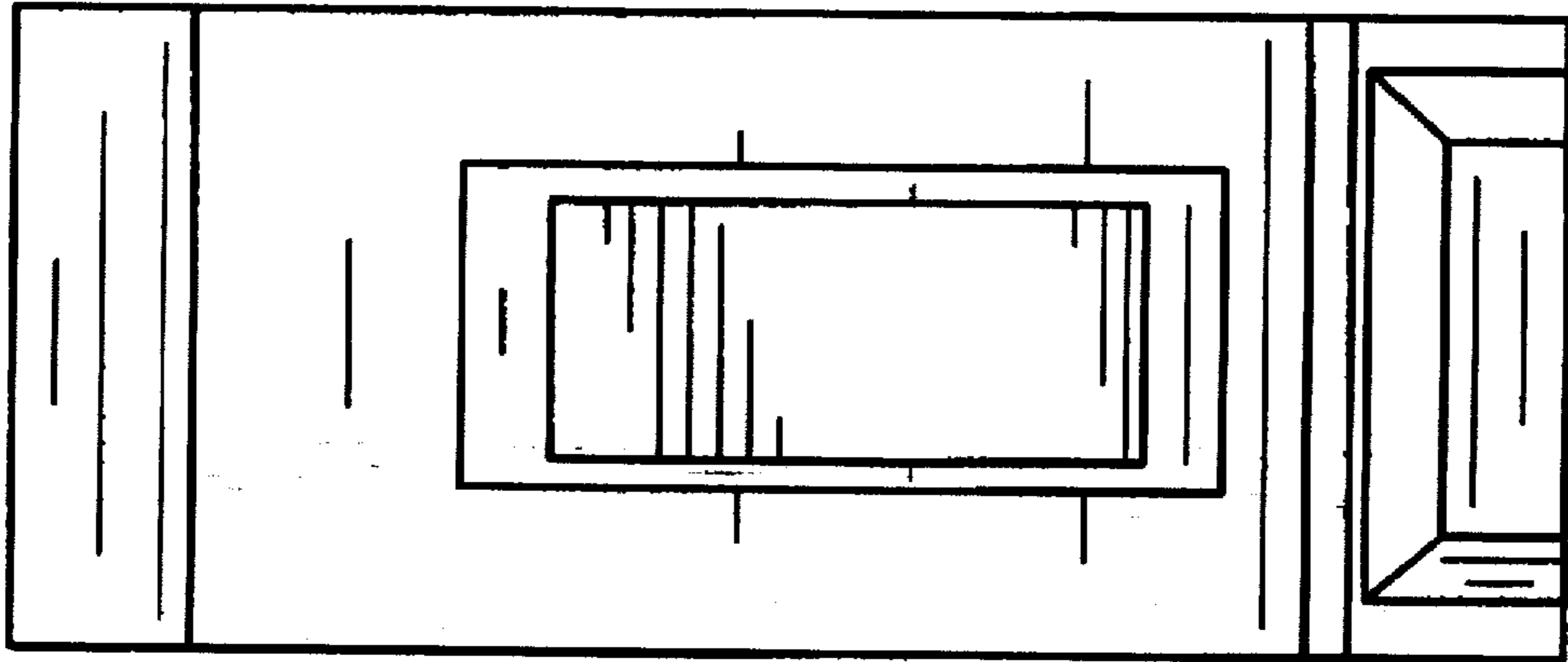


FIG. 6

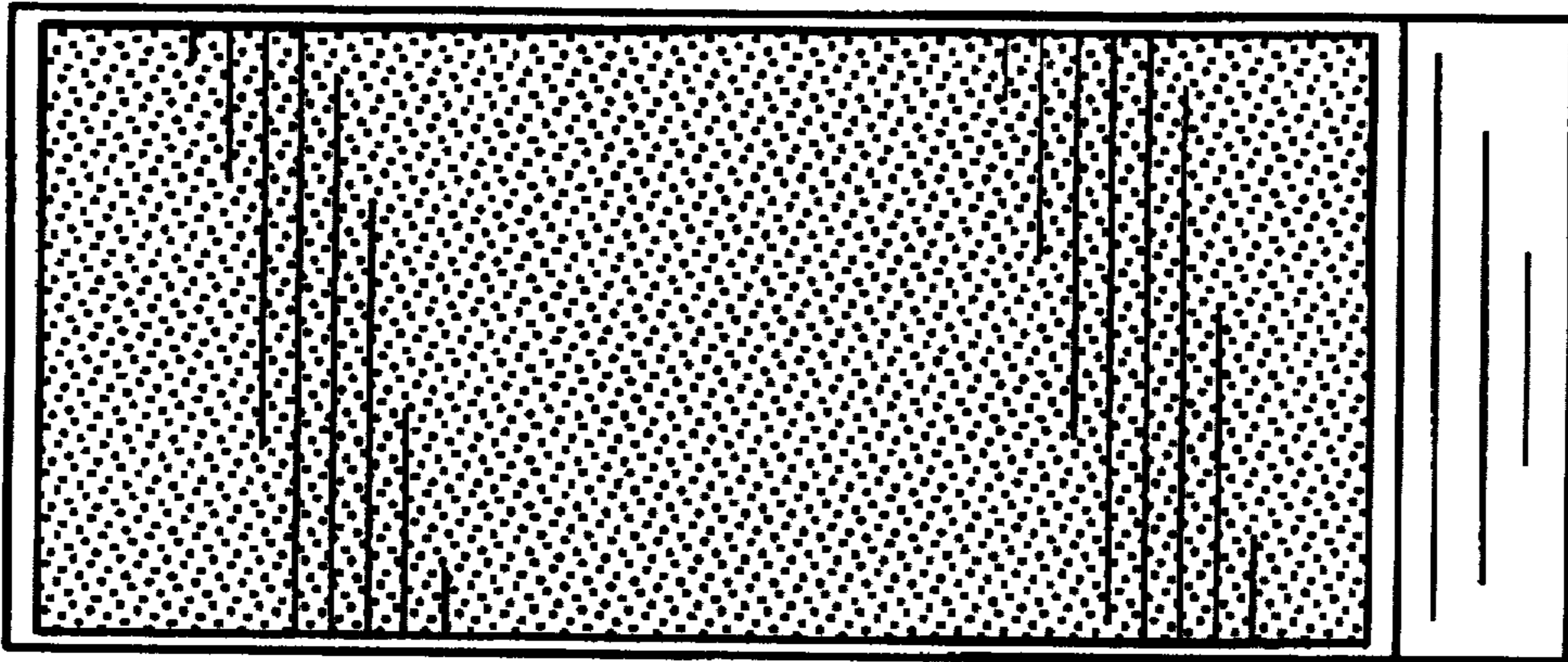


FIG. 7

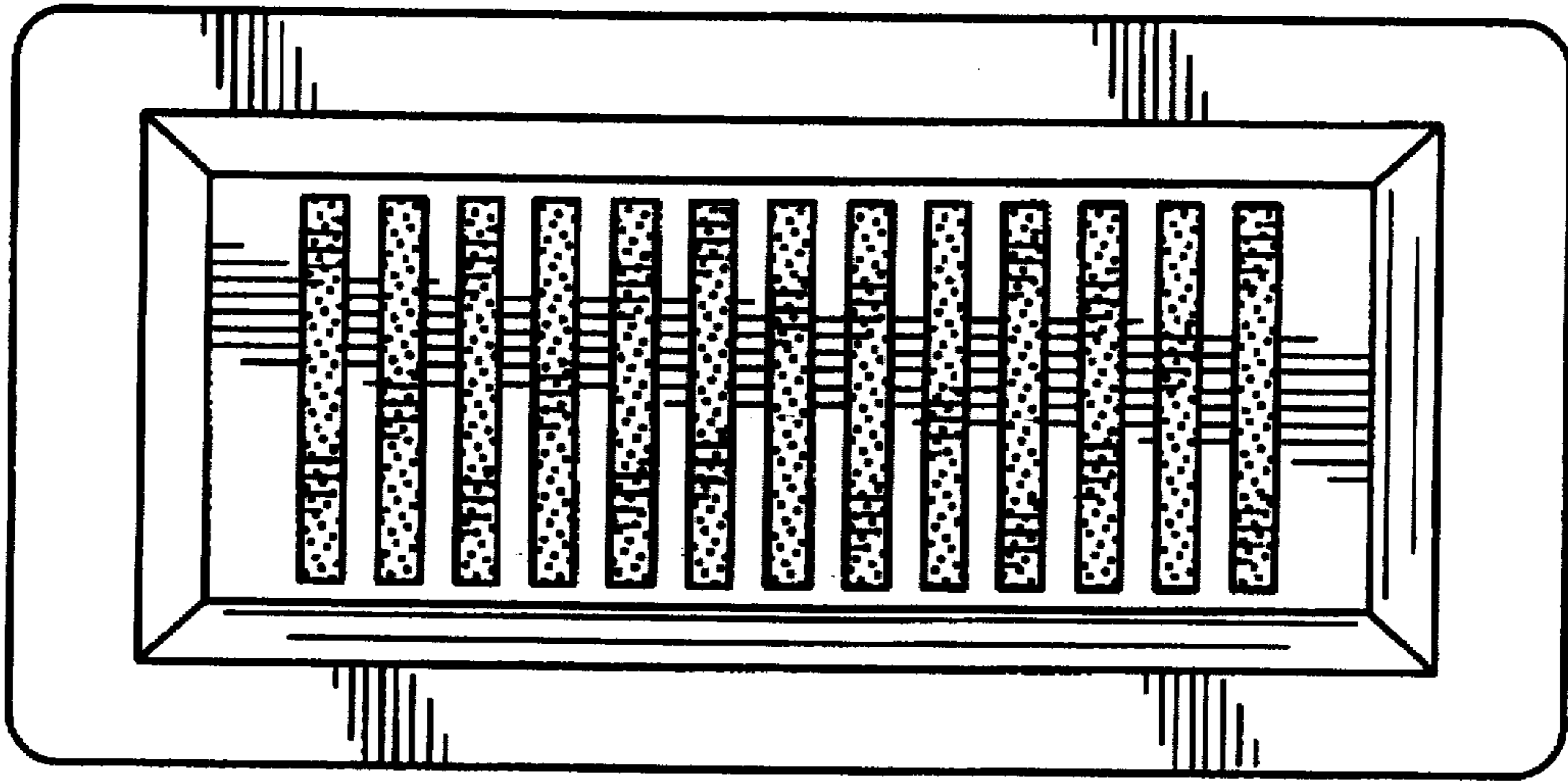


FIG. 8

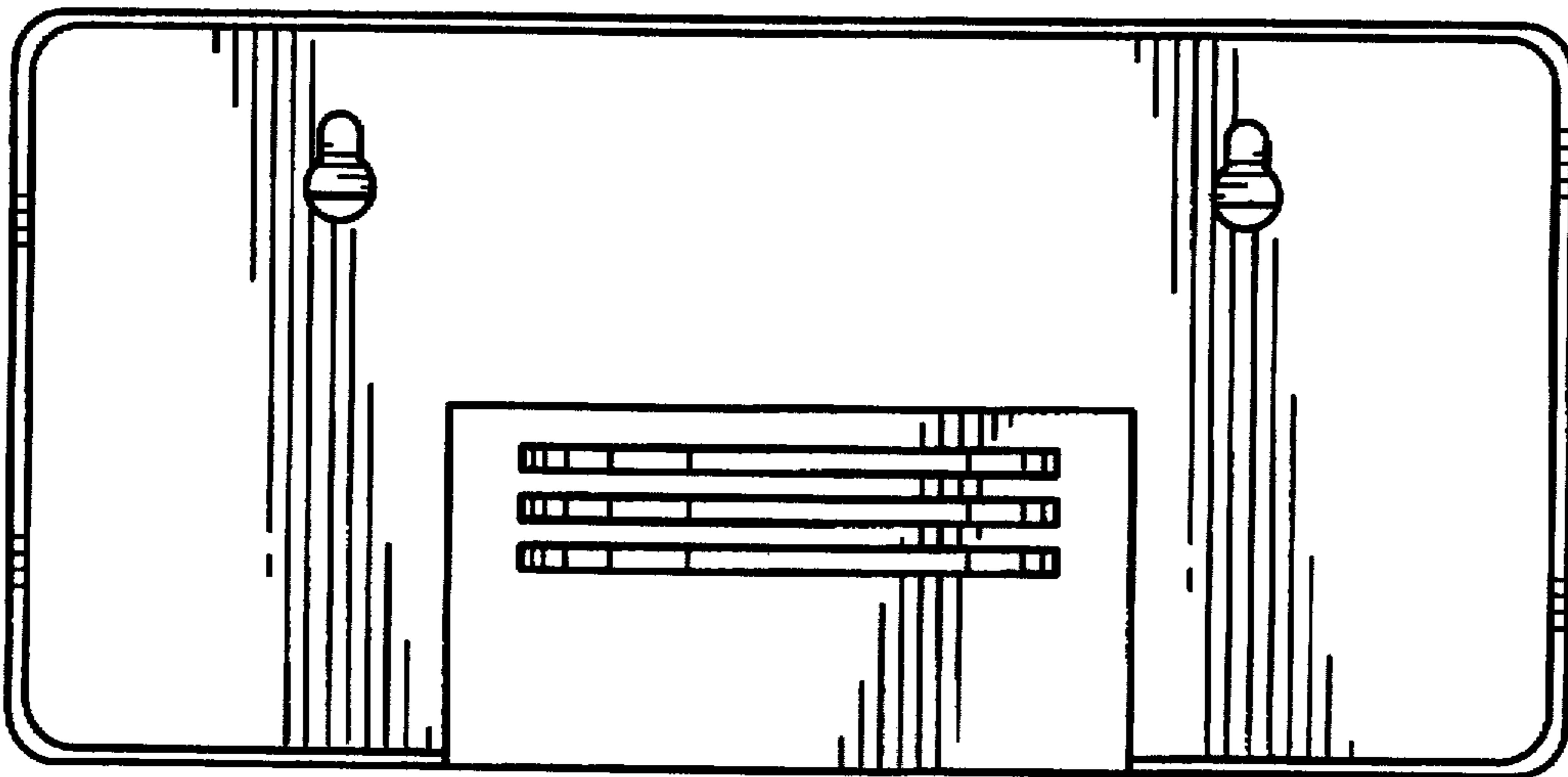


FIG. 9

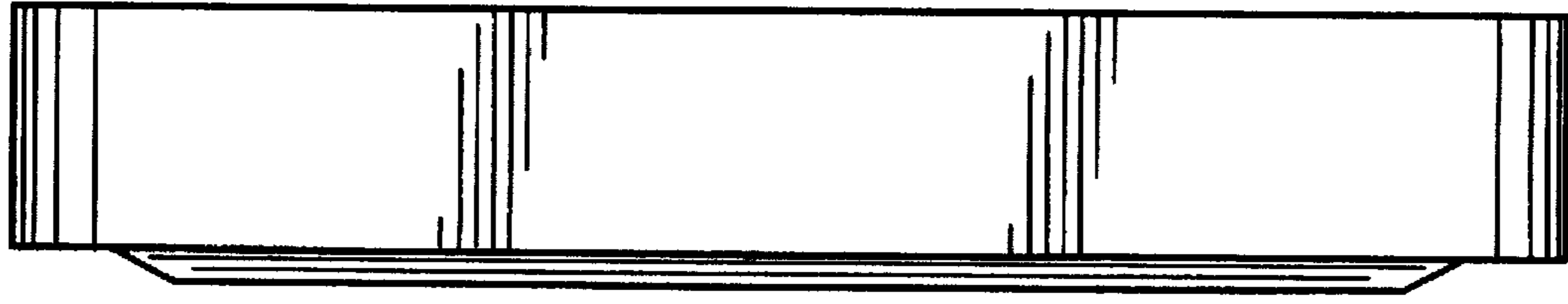


FIG. 10

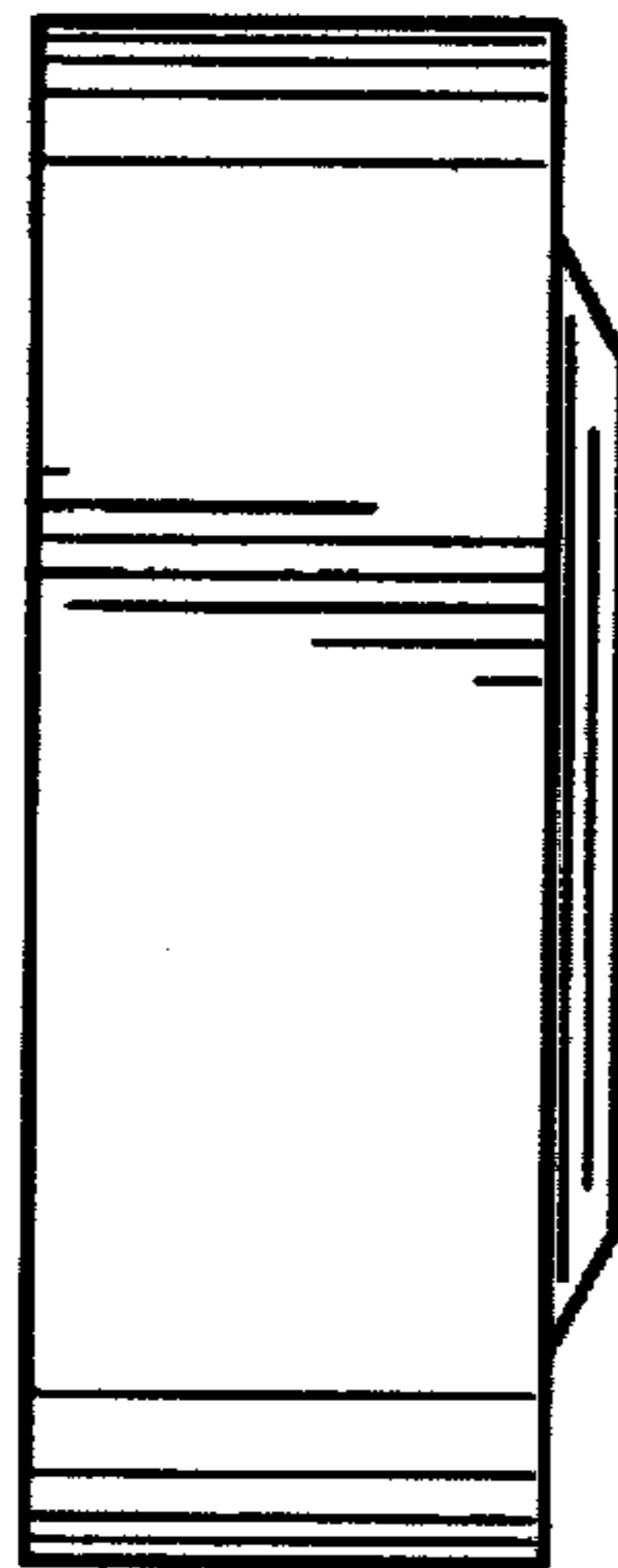


FIG. 11