



US00D388386S

United States Patent [19]
Sanchez, Jr.

[11] **Patent Number: Des. 388,386**
[45] **Date of Patent: **Dec. 30, 1997**

[54] **REAR BUMPER FOR PICKUP TRUCKS AND OTHER MOTOR VEHICLES**

[76] **Inventor: Jess Sanchez, Jr., 11150 Mines Blvd., Whittier, Calif. 90606**

[**] **Term: 14 Years**

[21] **Appl. No.: 65,007**

[22] **Filed: Jan. 15, 1997**

[51] **LOC (6) Cl. 12-16**

[52] **U.S. Cl. D12/169**

[58] **Field of Search D12/169, 163, D12/164; 293/102, 115, 117, 120; 296/180.1; 248/300, 316**

[56] **References Cited**

U.S. PATENT DOCUMENTS

D. 74,978	4/1928	Jonus	D12/169
D. 297,924	10/1988	Trinnaman	D12/169
D. 311,894	11/1990	Hensley et al.	D12/169
D. 367,028	2/1996	Fairweather	D12/169

Primary Examiner—Melody N. Brown
Attorney, Agent, or Firm—Edgar W. Averill, Jr.

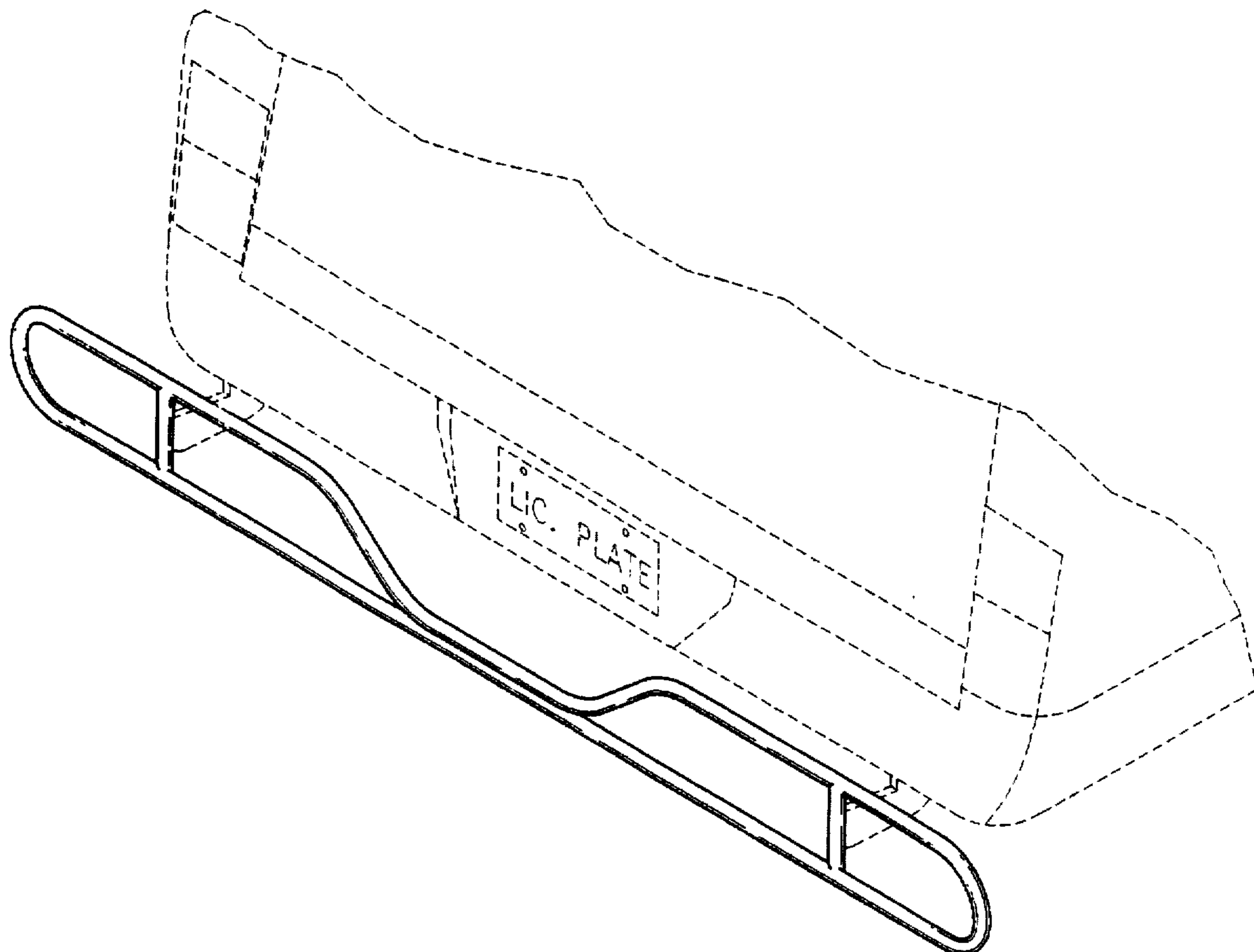
[57] **CLAIM**

The ornamental design for a rear bumper for pickup trucks and other motor vehicles, shown and described as shown and described.

DESCRIPTION

FIG. 1 is a perspective view of a rear bumper for pickup trucks and other motor vehicles showing my new design; FIG. 2 is a top view thereof; FIG. 3 is a rear view thereof; FIG. 4 is a right side view thereof; FIG. 5 is a bottom view thereof; FIG. 6 is a perspective view of a second embodiment of a rear bumper for pickup trucks and other motor vehicles showing my new design; FIG. 7 is a top view of the bumper of FIG. 6; FIG. 8 is a rear view of the bumper of FIG. 6; FIG. 9 is a right side view of the bumper of FIG. 6; and FIG. 10 is a bottom view of the bumper of FIG. 6. The broken lines shown in FIGS. 1 to 6 are for illustrative purposes only and form no part of the claimed design.

1 Claim, 4 Drawing Sheets



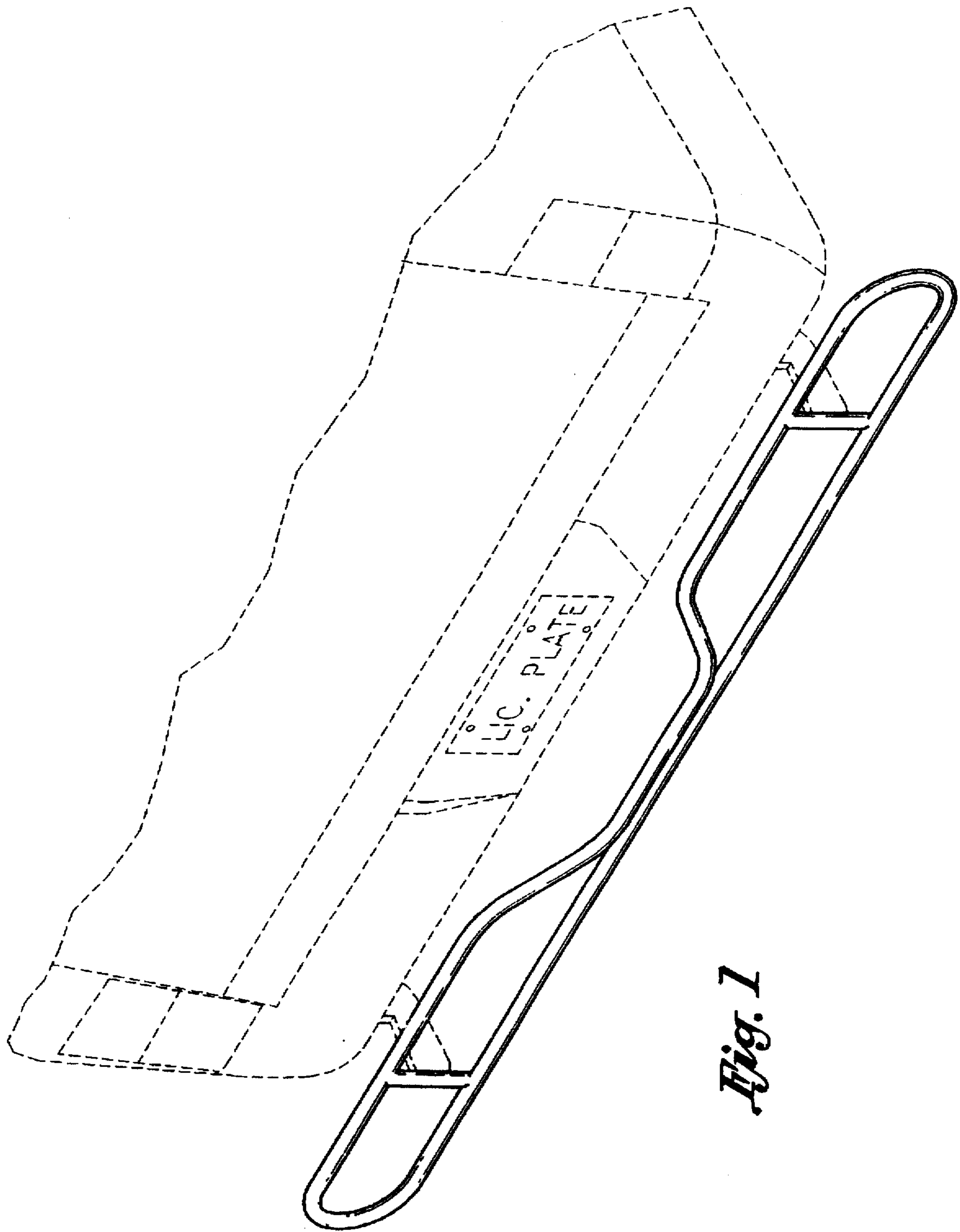


Fig. 1

Fig. 2



Fig. 3



Fig. 4

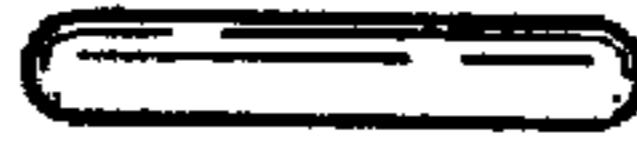


Fig. 5



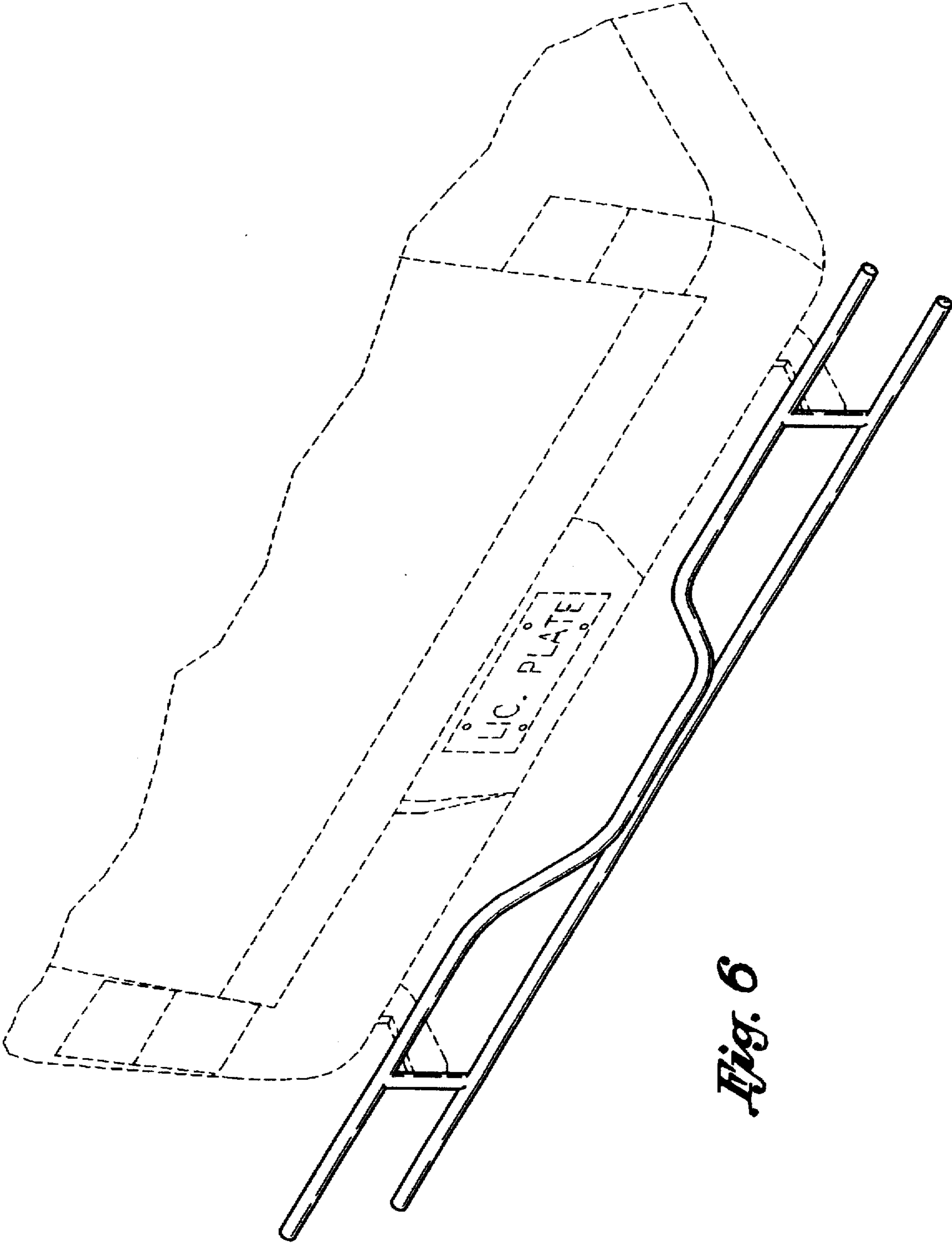


Fig. 6

Fig. 2



Fig. 8



Fig. 9



Fig. 10

