



US00D388372S

United States Patent [19]

Brown et al.

[11] Patent Number: **Des. 388,372**

[45] Date of Patent: ****Dec. 30, 1997**

[54] TIRE TREAD

[75] Inventors: **Stephanie Carol Brown, Akron; Efmia Ellen Rohweder, Uniontown; Michael Alois Kolowski, Mogadore; Frederick William Miller, Akron, all of Ohio**

[73] Assignee: **The Goodyear Tire & Rubber Company, Akron, Ohio**

[**] Term: **14 Years**

[21] Appl. No.: **63,871**

[22] Filed: **Dec. 17, 1996**

[51] LOC (6) CL **12-15**

[52] U.S. Cl. **D12/146**

[58] Field of Search **D12/136, 138, D12/140-151; 152/209 A, 209 B, 209 D, 209 R, 209 NT**

[56] References Cited

U.S. PATENT DOCUMENTS

D. 336,069	6/1993	White	D12/147
D. 350,102	8/1994	Evraert et al.	D12/147
D. 350,513	9/1994	Mehta et al.	D12/147
D. 356,059	3/1995	McKisson	D12/146
D. 366,438	1/1996	McKisson	D12/146
D. 373,556	9/1996	Attinello et al.	D12/147
4,429,728	2/1984	Ippen et al.	152/209 A
4,461,334	7/1984	Tansei et al.	152/209 R

OTHER PUBLICATIONS

Academy Supreme Touring Tire, 1996 Tread Design Guide, p. 9, Jan. 1996.

Cascade All Season SBR Tire, 1996 Tread Design Guide, p. 15, Jan. 1996.

Falken FK-752 Tire, 1996 Tread Design Guide, p. 26, Jan. 1996.

Primary Examiner—James Gandy

Assistant Examiner—Robert Spear

Attorney, Agent, or Firm—T. P. Lewandowski

[57] CLAIM

The ornamental design for a tire tread, as shown and described.

DESCRIPTION

FIG. 1 is a perspective view of a tire tread, it being understood that the pattern repeats uniformly throughout the circumference of the tread;

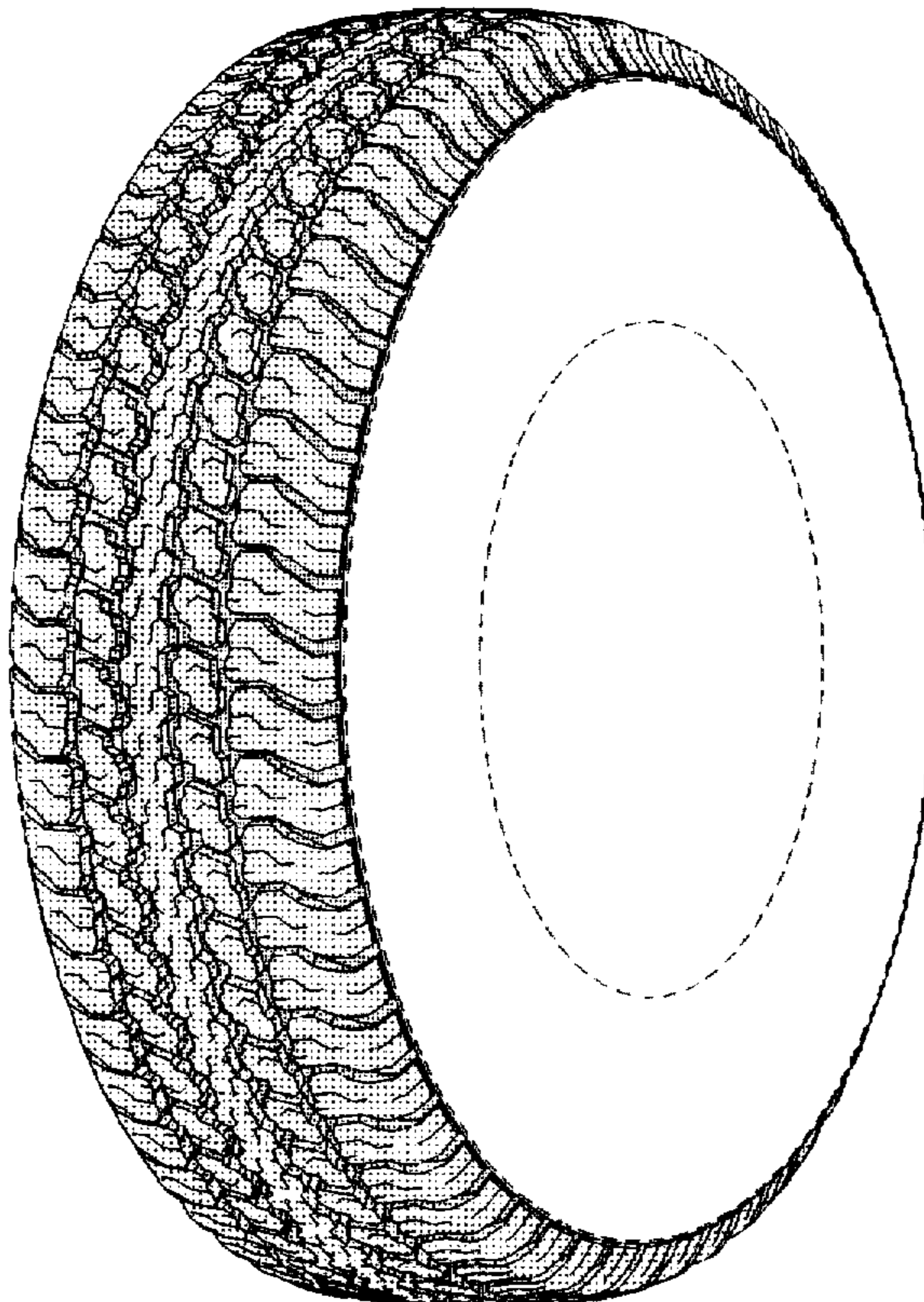
FIG. 2 is a front elevational view thereof;

FIG. 3 is a side elevational view thereof, the opposite side elevational view being identical thereto; and,

FIG. 4 is an enlarged fragmentary front perspective view thereof.

In the drawings, the broken lines defining the inner bead of the sidewall and the peripheral boundary between the tire tread and the sidewall are for illustrative purposes only and form no part of the claimed design.

1 Claim, 4 Drawing Sheets



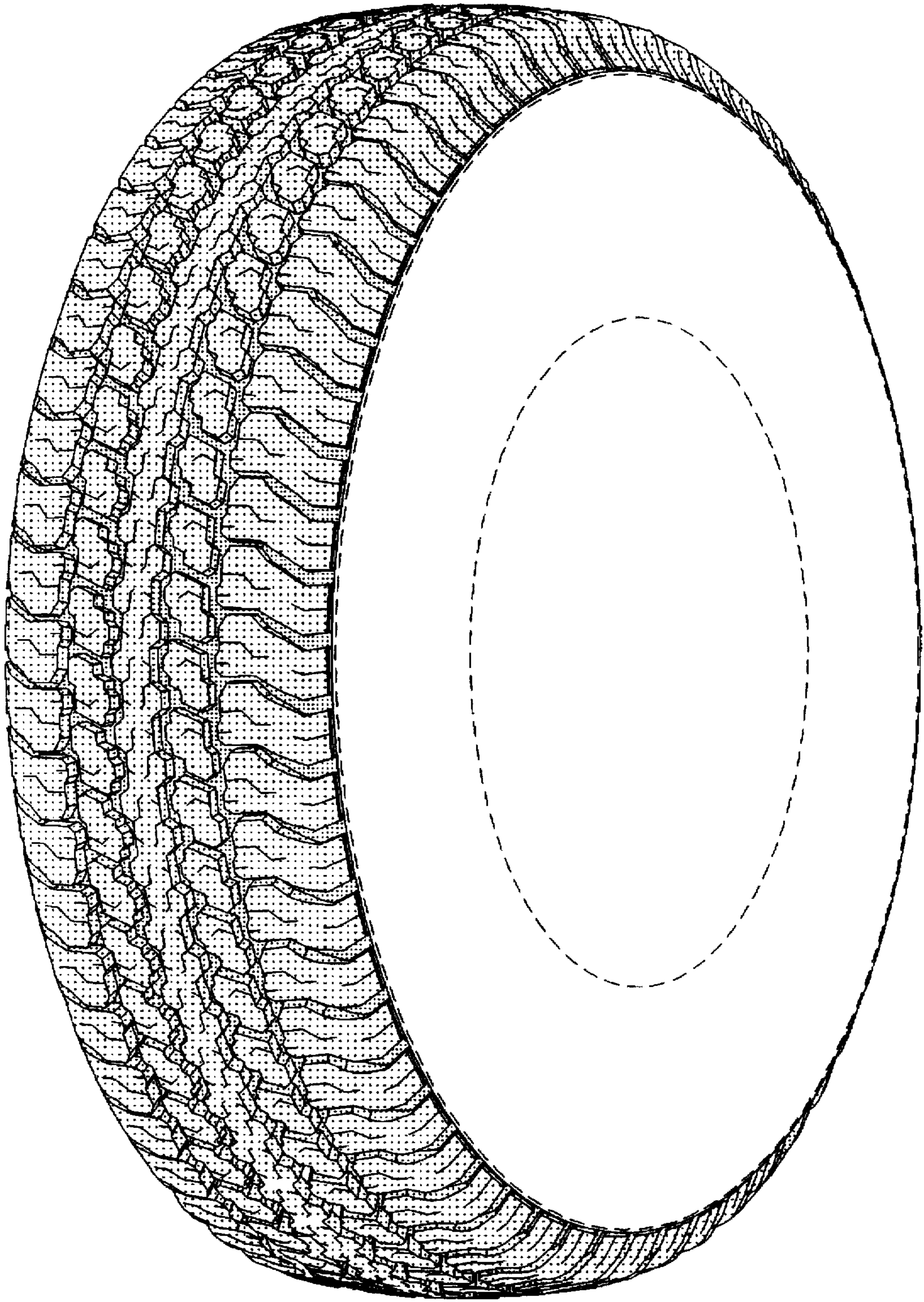


FIG. 1

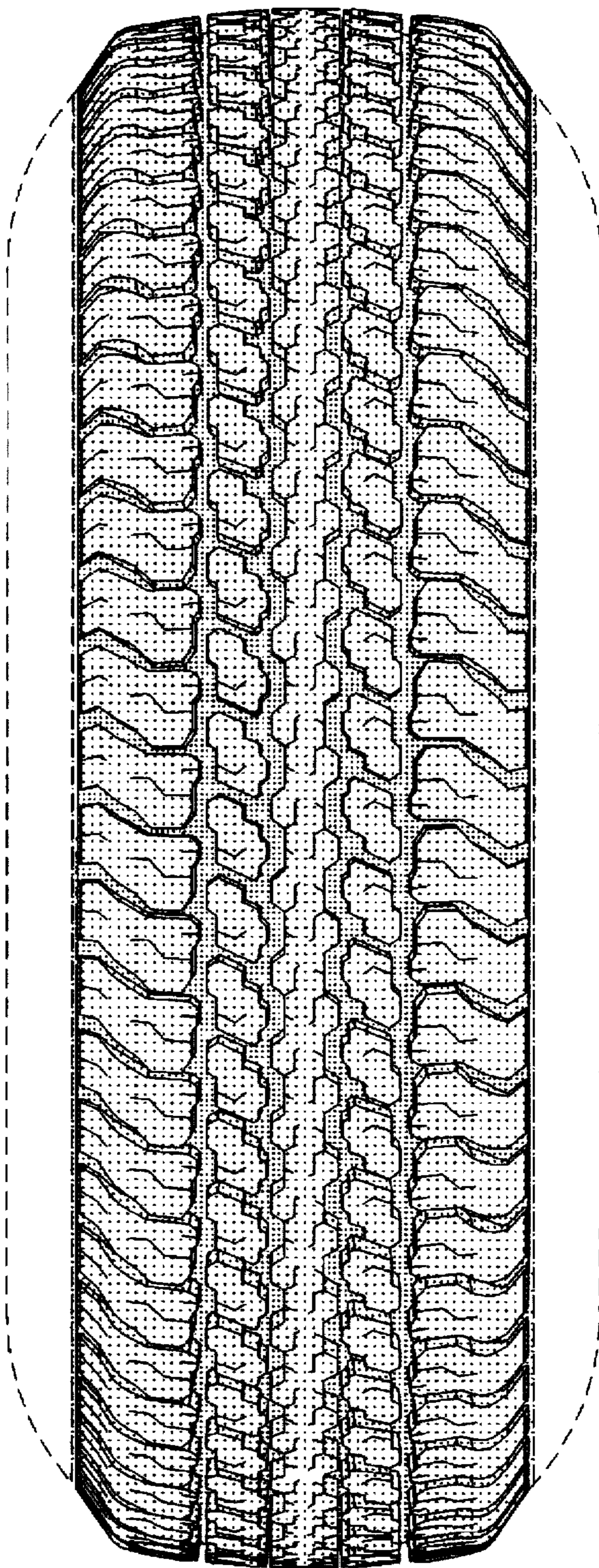


FIG. 2

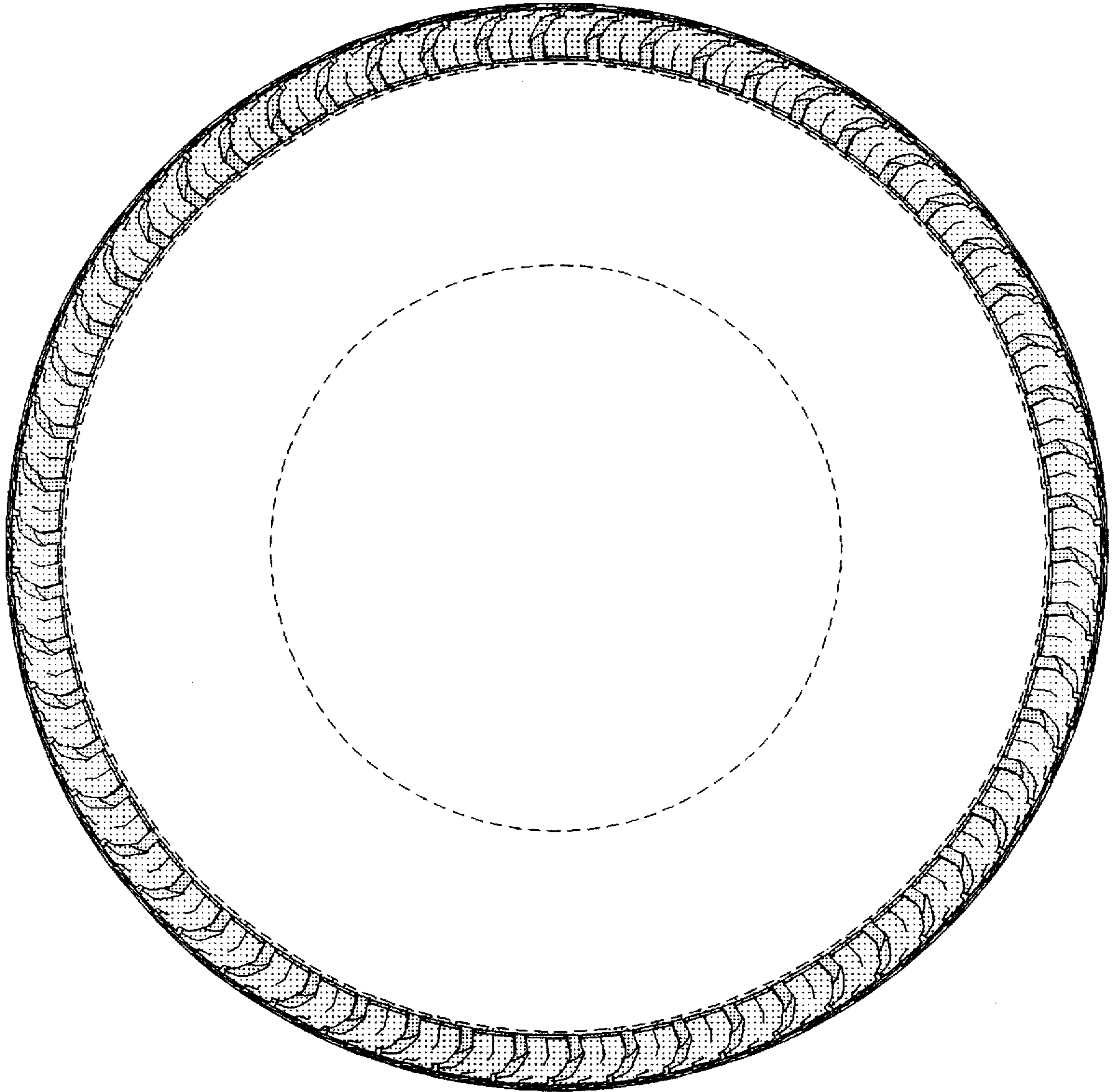


FIG. 3

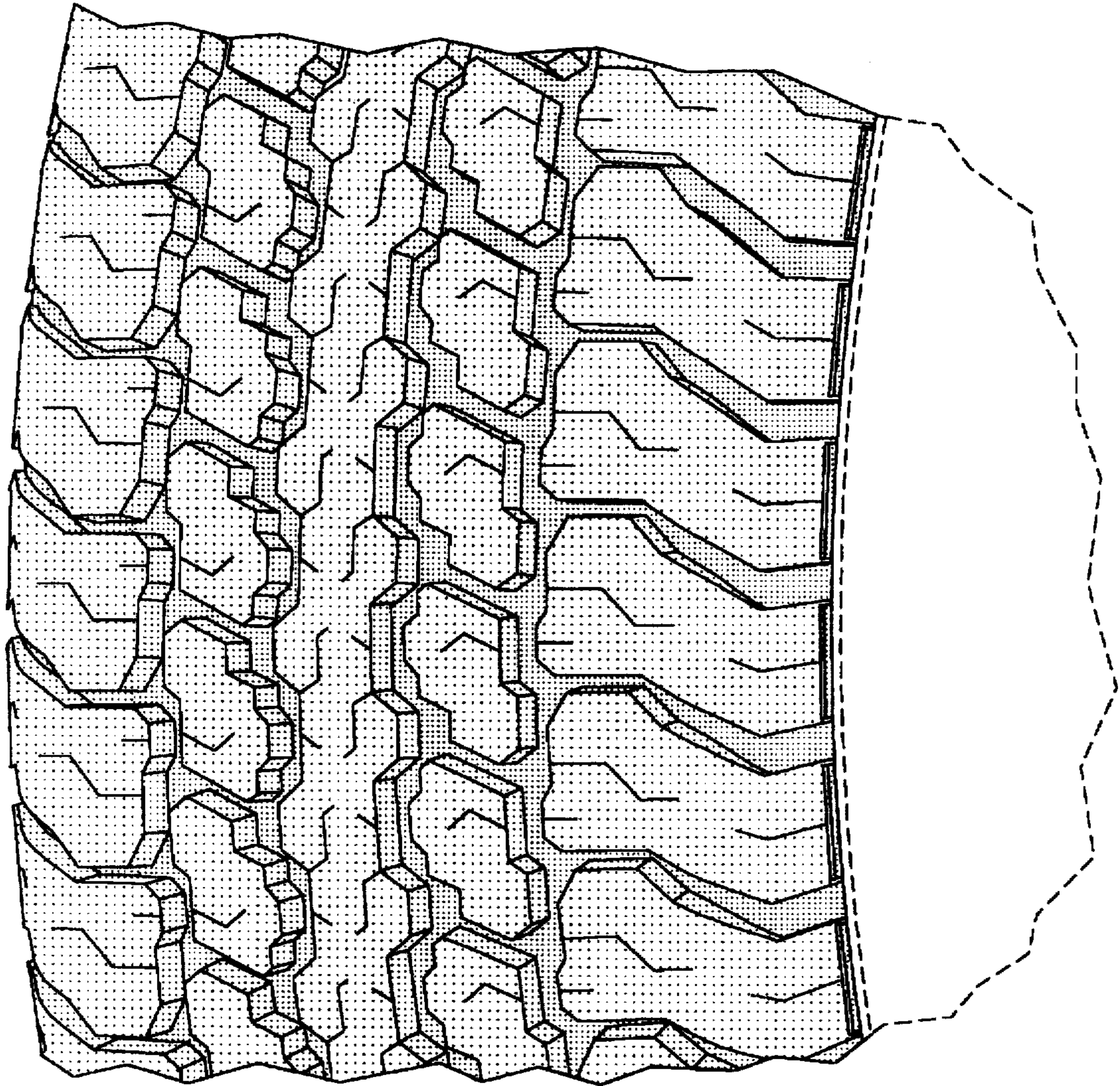


FIG. 4