

US00D388368S

United States Patent [19]

Polak et al.

[11] Patent Number: **Des. 388,368**

[45] Date of Patent: ****Dec. 30, 1997**

[54] **TANDEM STROLLER**

[76] Inventors: **John C. Polak; Antoinette M. Polak; M. Darlene Polak; M. Antoinette Polak**, all of 6748 Del Cerro Blvd., San Diego, Calif. 92120

[**] Term: **14 Years**

[21] Appl. No.: **63,448**

[22] Filed: **Dec. 9, 1996**

[51] LOC (6) Cl. **12-12**

[52] U.S. Cl. **D12/129**

[58] Field of Search D12/128, 129, D12/133; 280/644, 648, 658, 650, 642, 647, 680, 37; D21/76, 78, 71, 136, 137

[56] **References Cited**

U.S. PATENT DOCUMENTS

D. 145,468 8/1946 Spence D12/129
D. 344,916 3/1994 McGuire et al. D12/129

D. 365,312 12/1995 Moseitch et al. D12/129
4,089,543 5/1978 Osborne D12/128

Primary Examiner—Kay H. Chin

Attorney, Agent, or Firm—Brown, Martin, Haller & McClain

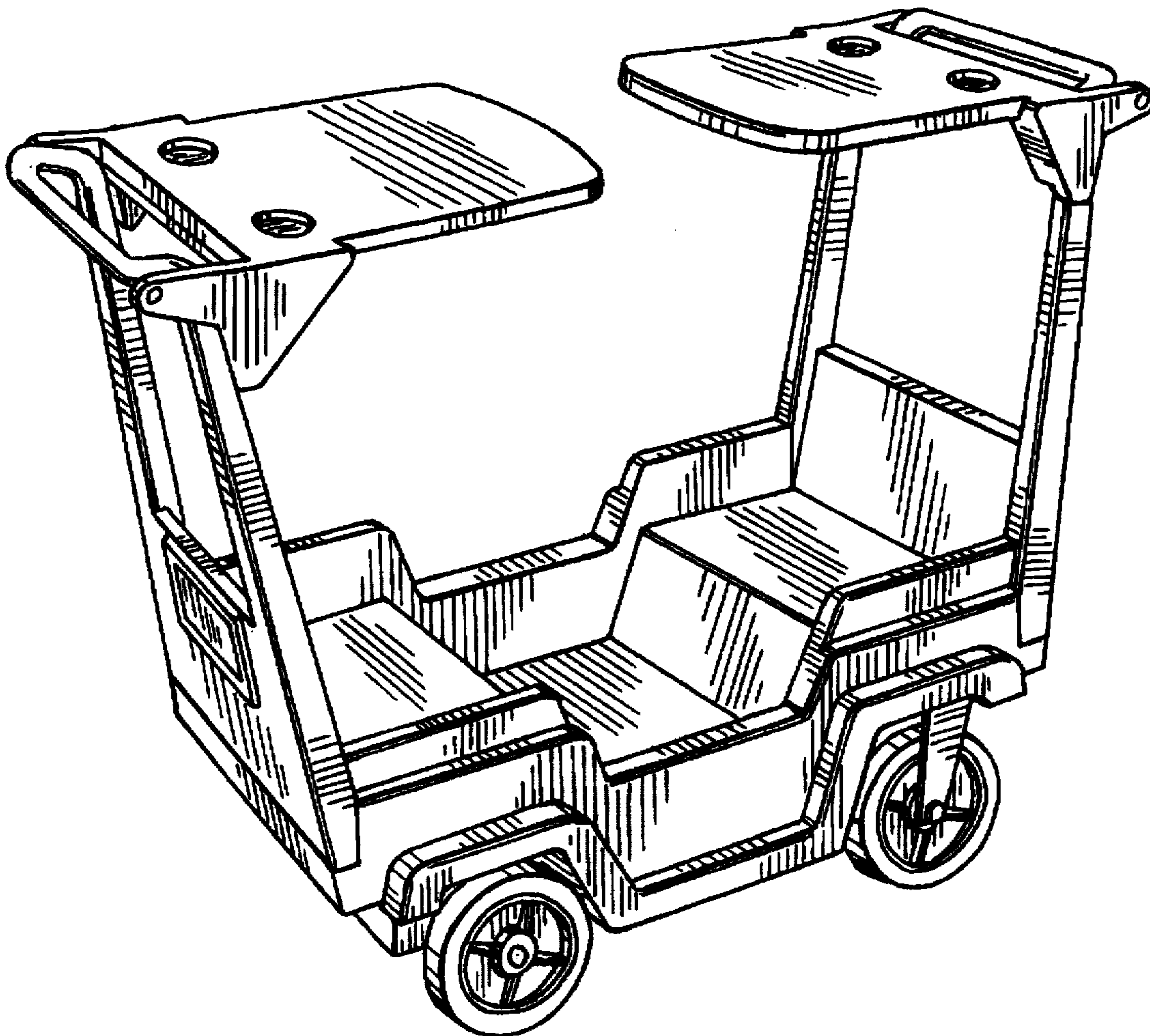
[57] **CLAIM**

The ornamental design for a tandem stroller, as shown and described.

DESCRIPTION

FIG. 1 is a right rear perspective view of a tandem stroller, showing our new design;
FIG. 2 is a left side elevational view thereof, with one roof panel hinged down;
FIG. 3 is a front end view thereof;
FIG. 4 is a rear view thereof;
FIG. 5 is a top plan view thereof in the position of FIG. 2; and,
FIG. 6 is a bottom plan view thereof.

1 Claim, 2 Drawing Sheets



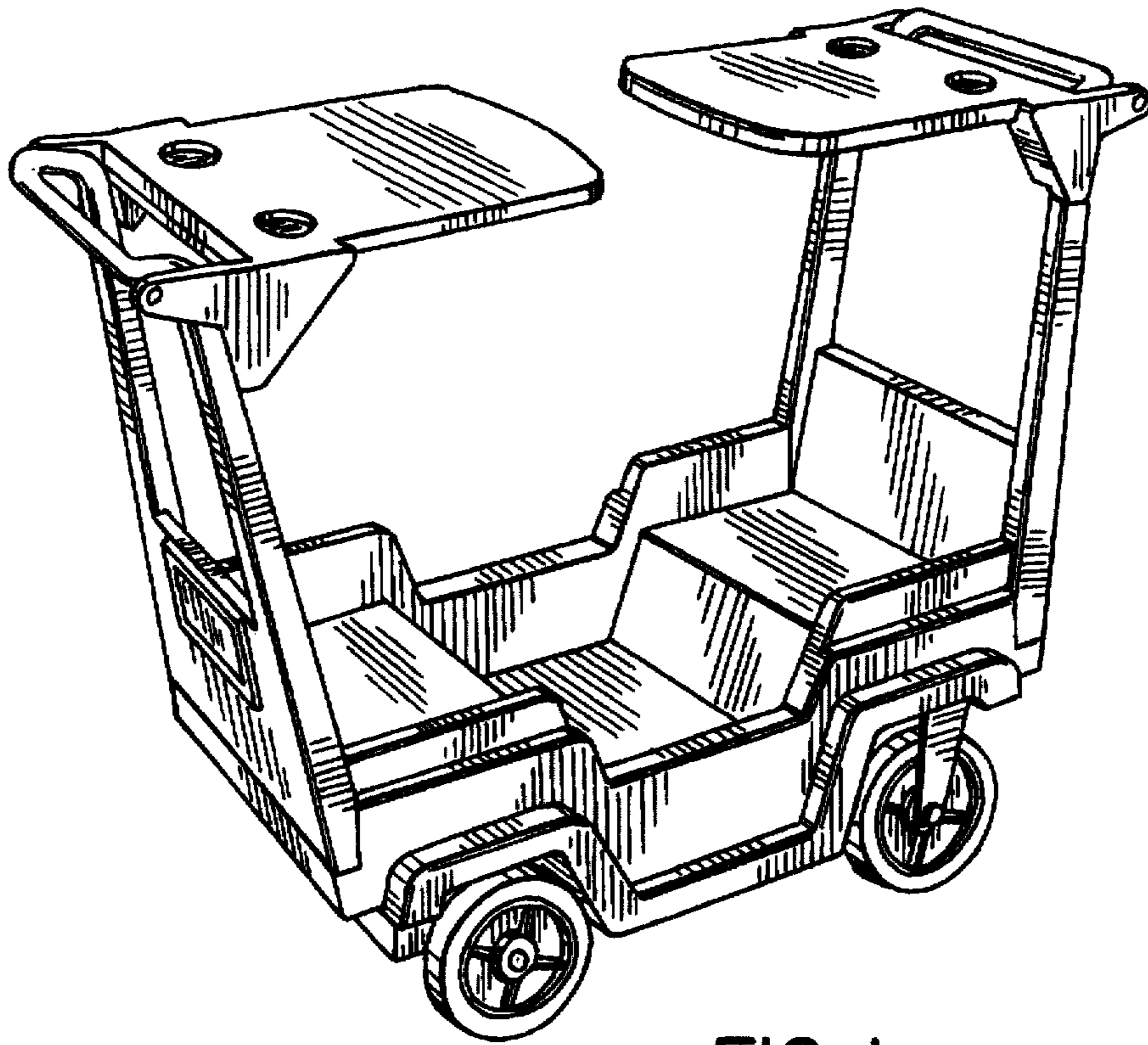


FIG. 1

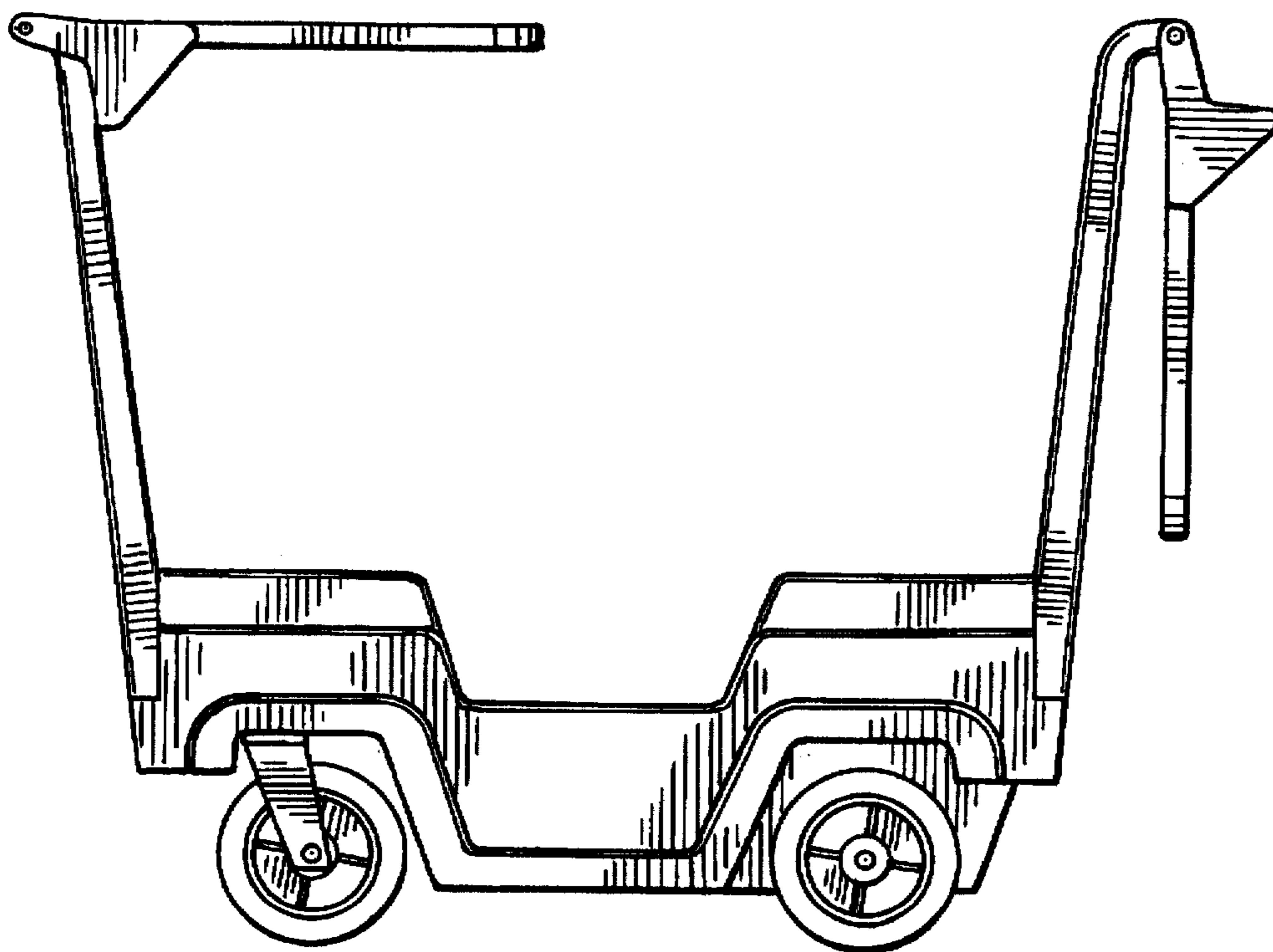


FIG. 2

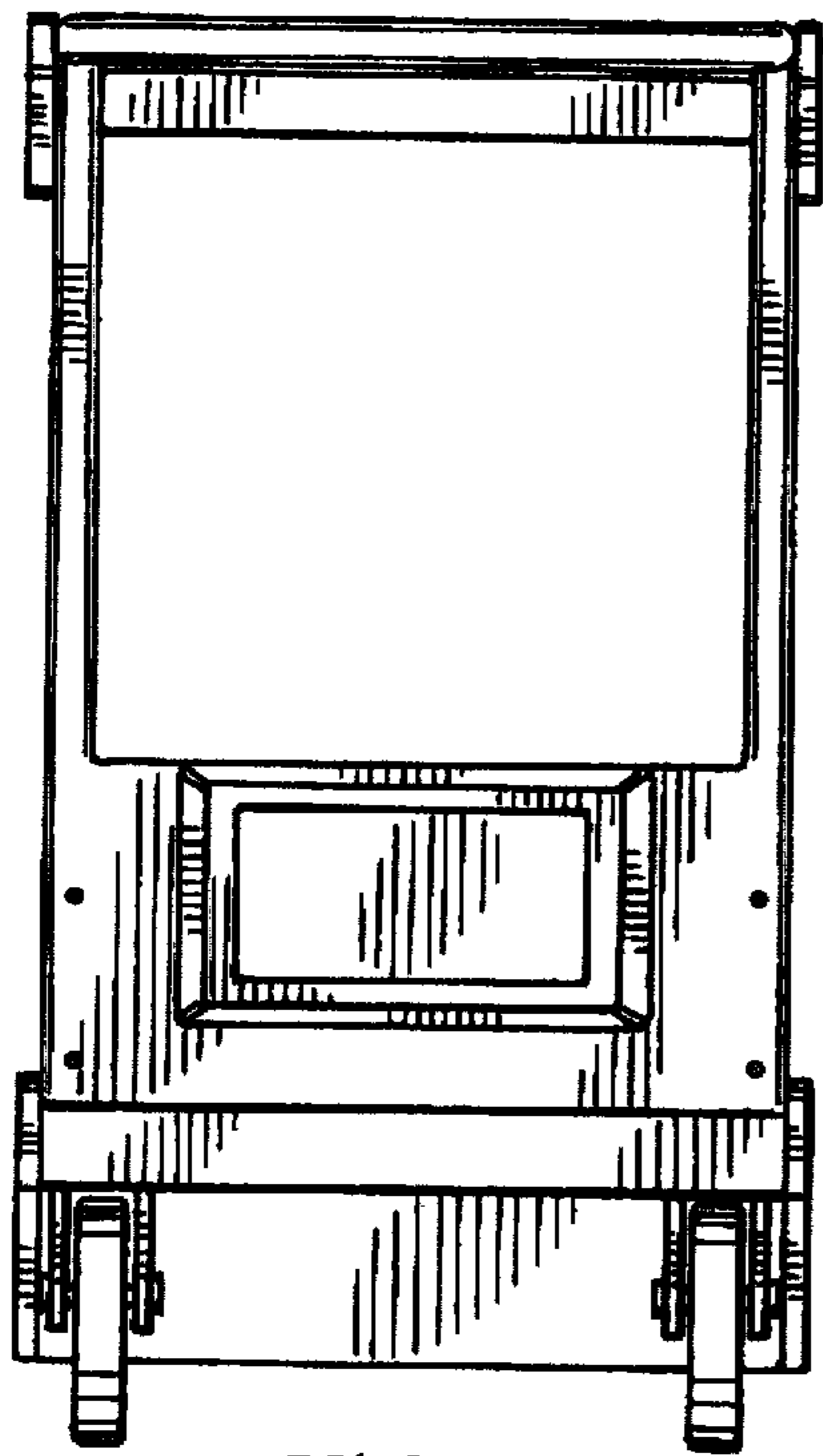


FIG. 3

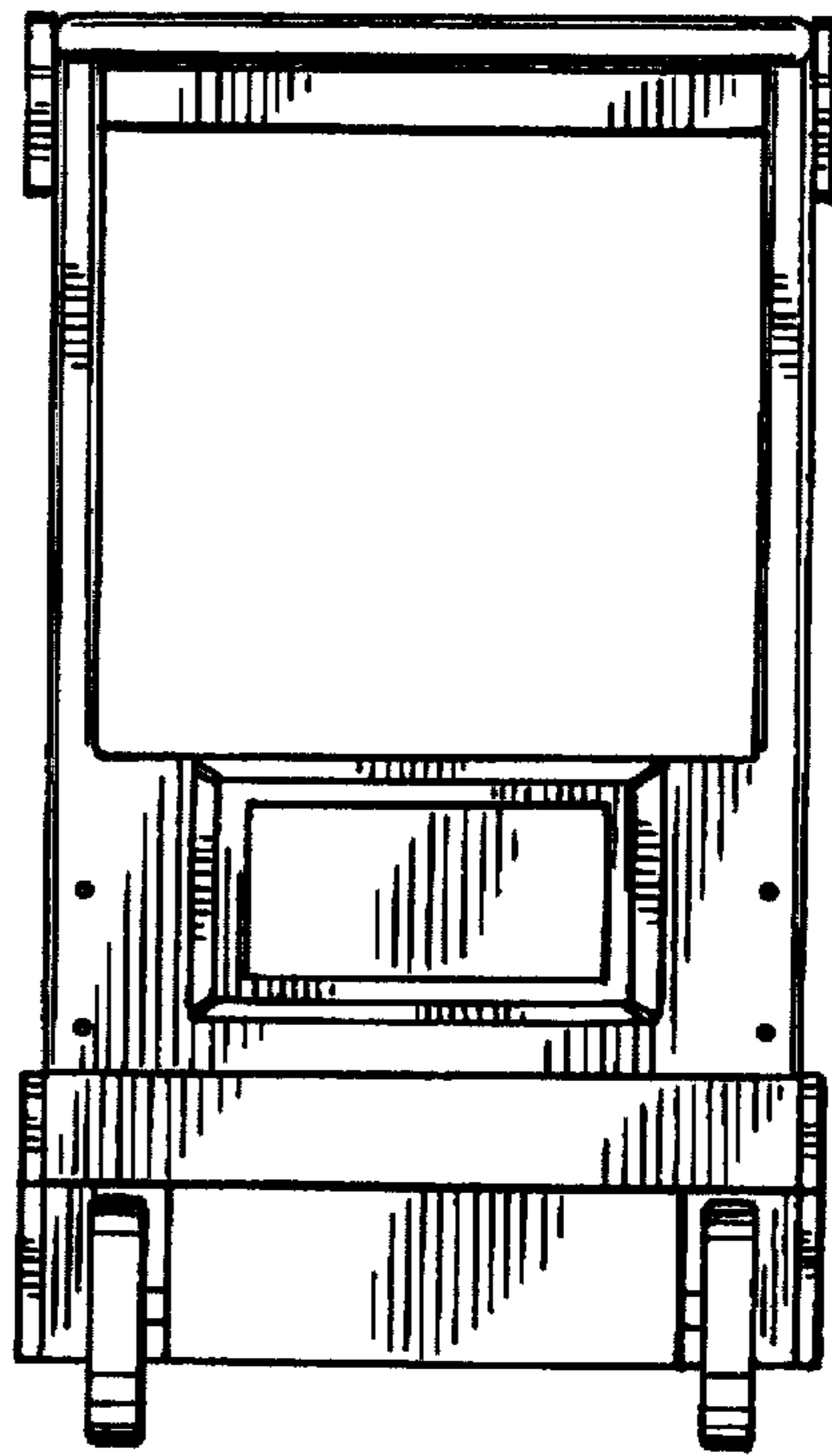


FIG. 4

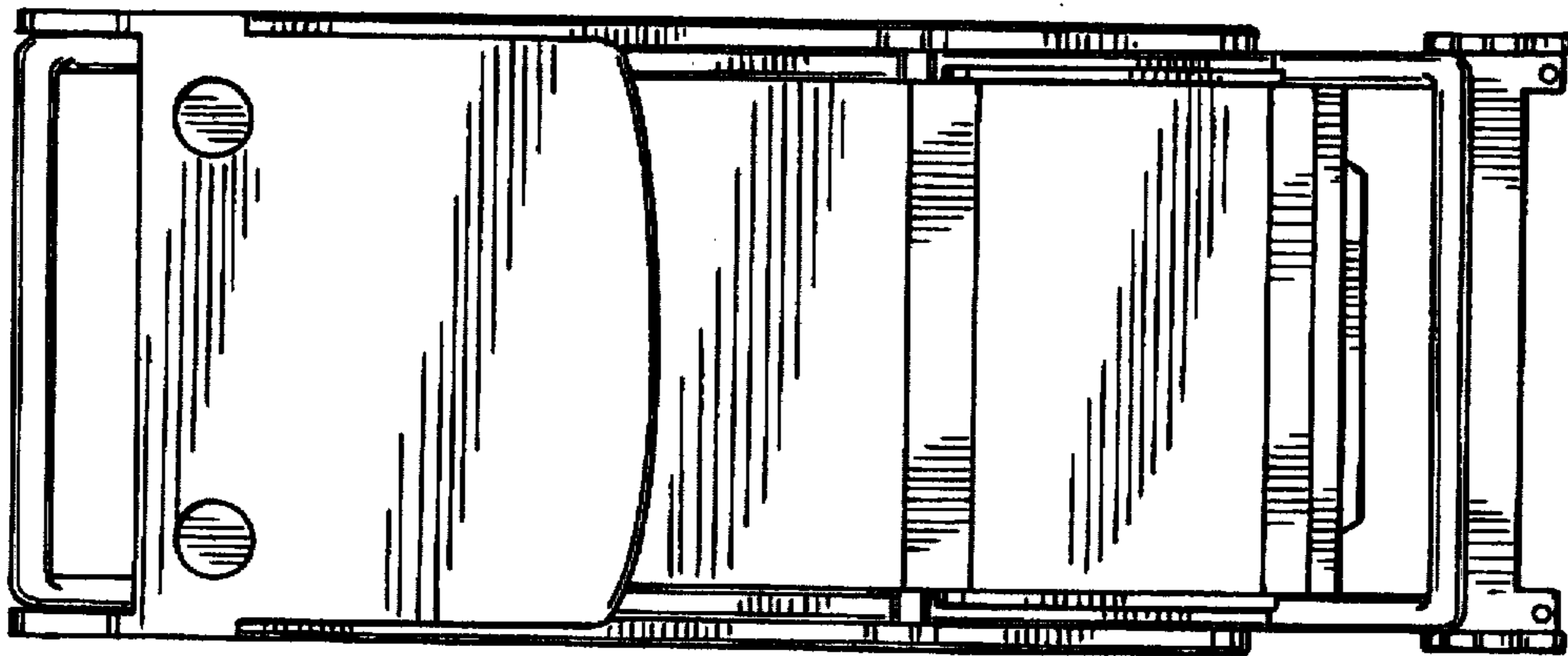


FIG. 5

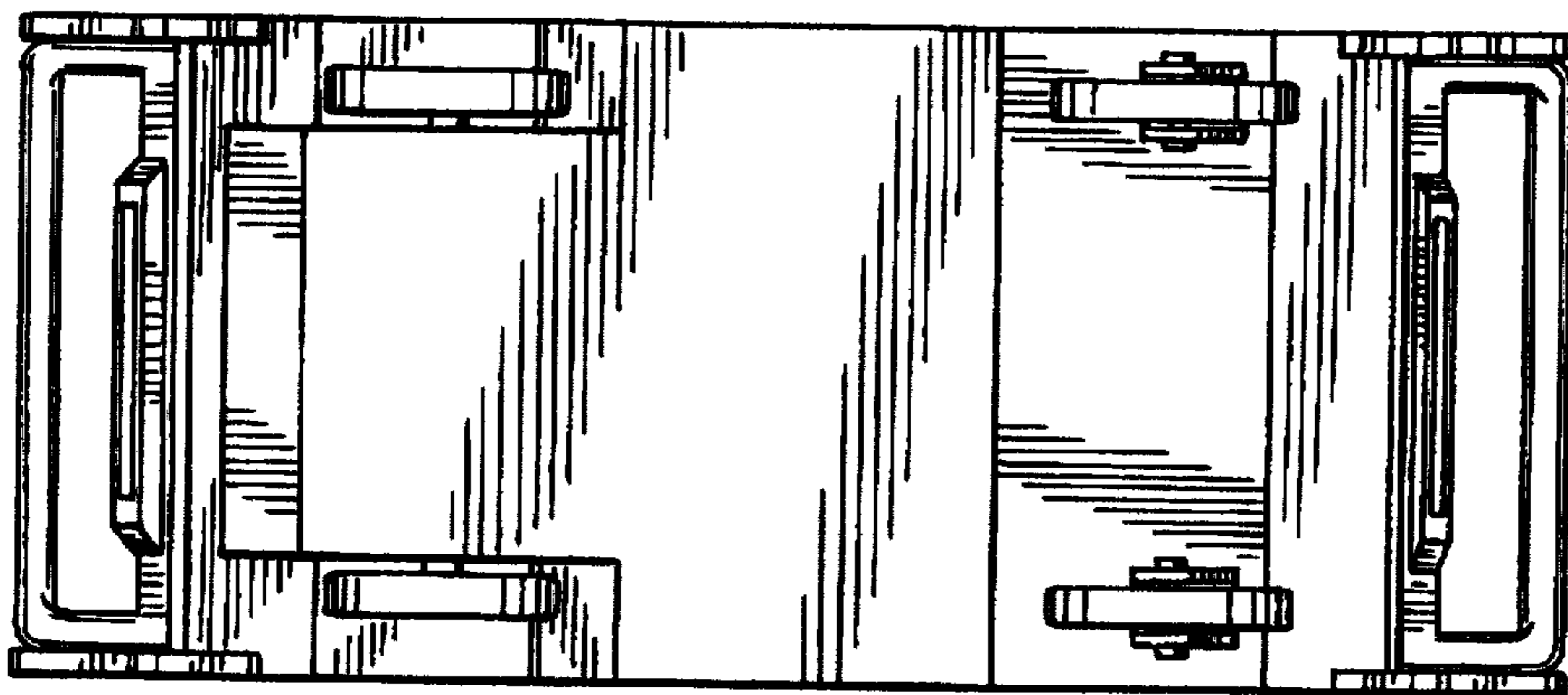


FIG. 6