



US00D388367S

United States Patent [19]

Polak et al.

[11] Patent Number: Des. 388,367

[45] Date of Patent: **Dec. 30, 1997

[54] SPORT VEHICLE STROLLER

[76] Inventors: John C. Polak; Antoinette M. Polak; M. Darlene Polak; M. Antoinette Polak, all of 6748 Del Cerro Blvd., San Diego, Calif. 92120

[**] Term: 14 Years

[21] Appl. No.: 60,993

[22] Filed: Oct. 9, 1996

[51] LOC (6) Cl. 12-12

[52] U.S. Cl. D12/129

[58] Field of Search D12/128, 129, D12/133; 280/647, 650, 37, 680, 648; D21/76, 78, 71, 136, 137

[56] **References Cited**

U.S. PATENT DOCUMENTS

- D. 305,011 12/1989 Pison D12/129
- D. 365,311 12/1995 Mosestich et al. D12/129

- D. 365,312 12/1995 Mosestich et al. D12/129
- D. 365,313 12/1995 Mosestich et al. D12/129
- 4,089,543 5/1978 Osborne D12/128

Primary Examiner—Kay H. Chin
Attorney, Agent, or Firm—Brown, Martin, Haller & McClain

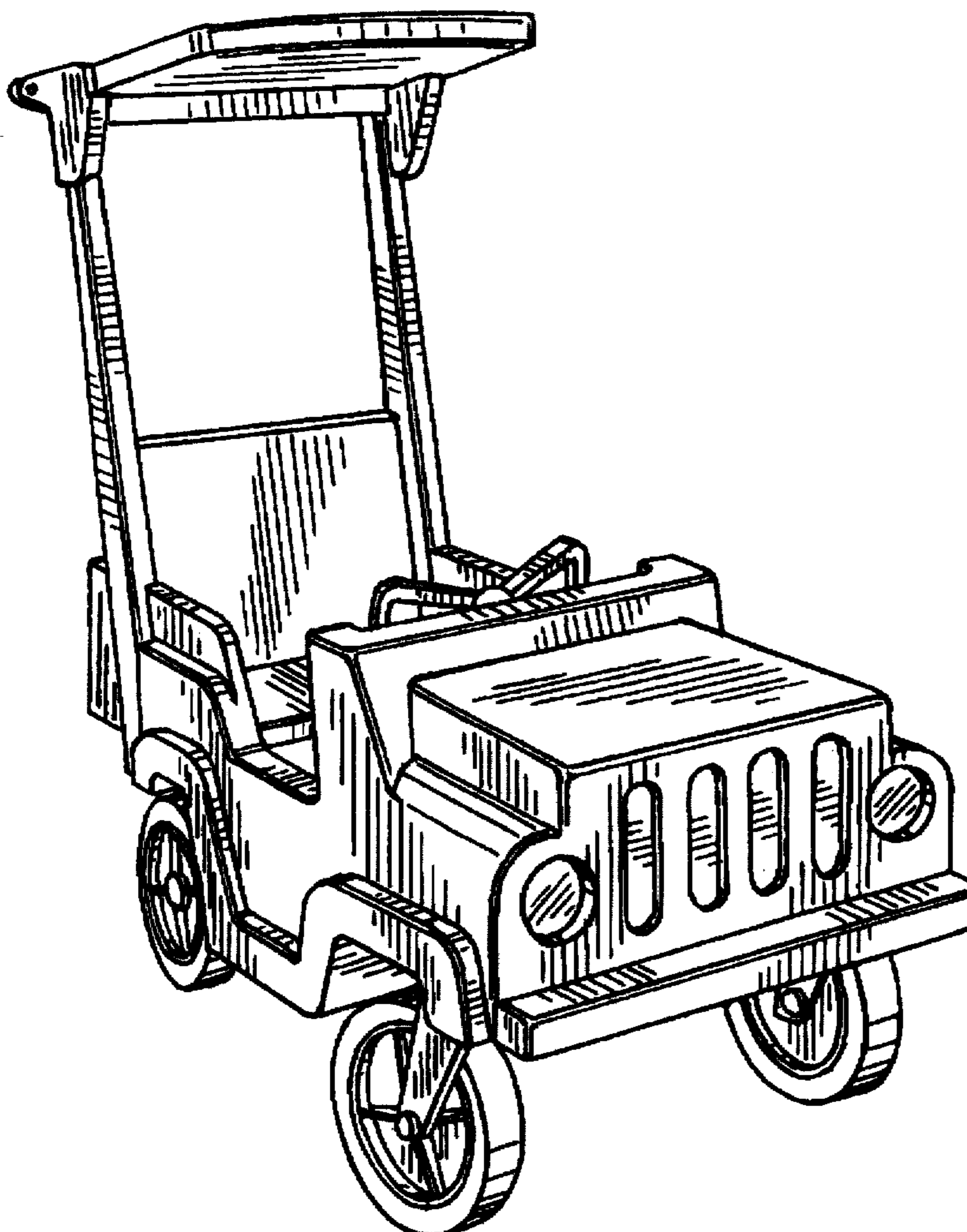
[57] **CLAIM**

The ornamental design for a sport vehicle stroller, as shown and described.

DESCRIPTION

FIG. 1 is a right front perspective view of a sport vehicle stroller, showing our new design; FIG. 2 is a left rear perspective view thereof; FIG. 3 is a top plan view thereof; FIG. 4 is a right side elevational view thereof; FIG. 5 is a front view thereof; FIG. 6 is a bottom plan view thereof; and, FIG. 7 is a rear view thereof.

1 Claim, 3 Drawing Sheets



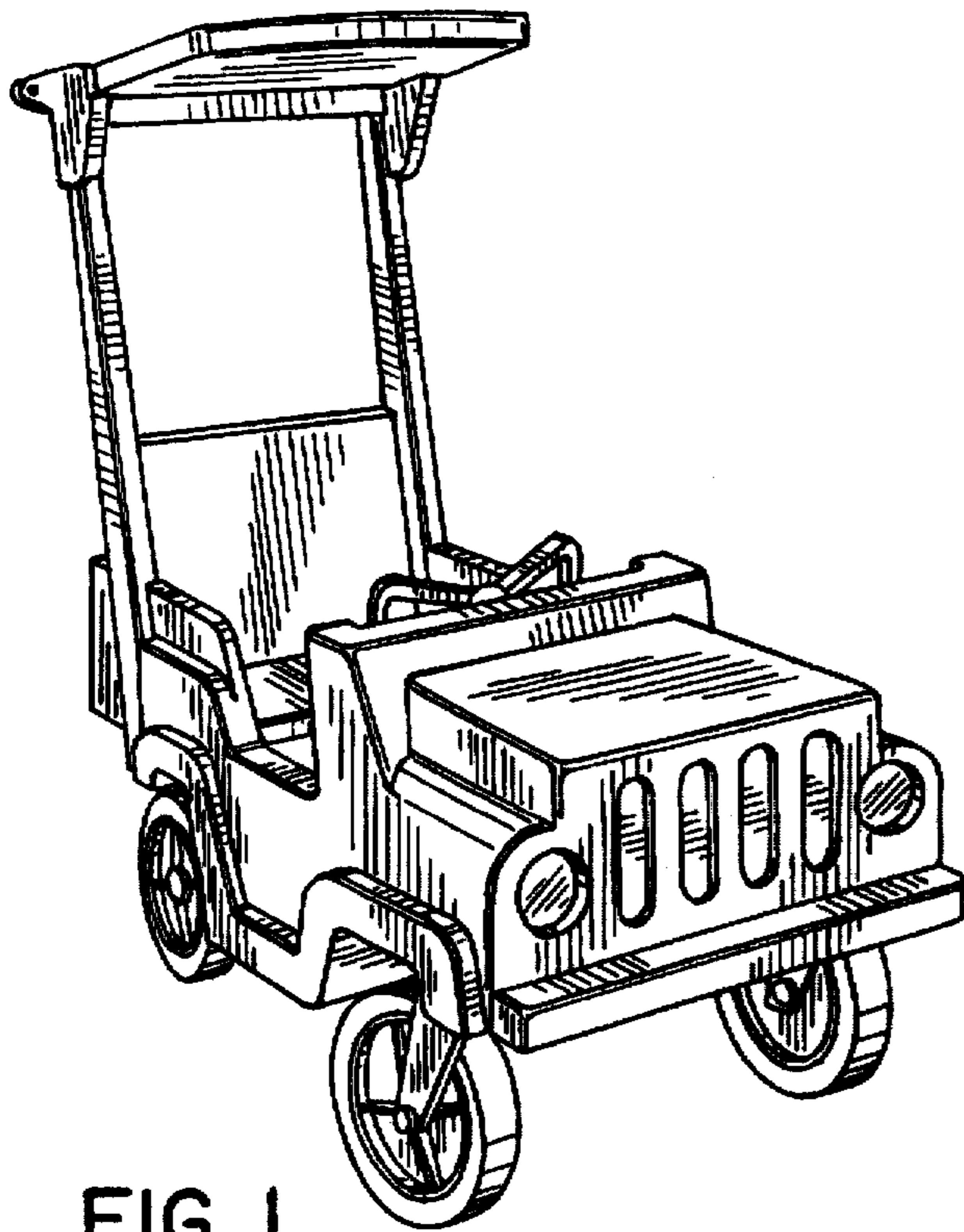


FIG. 1

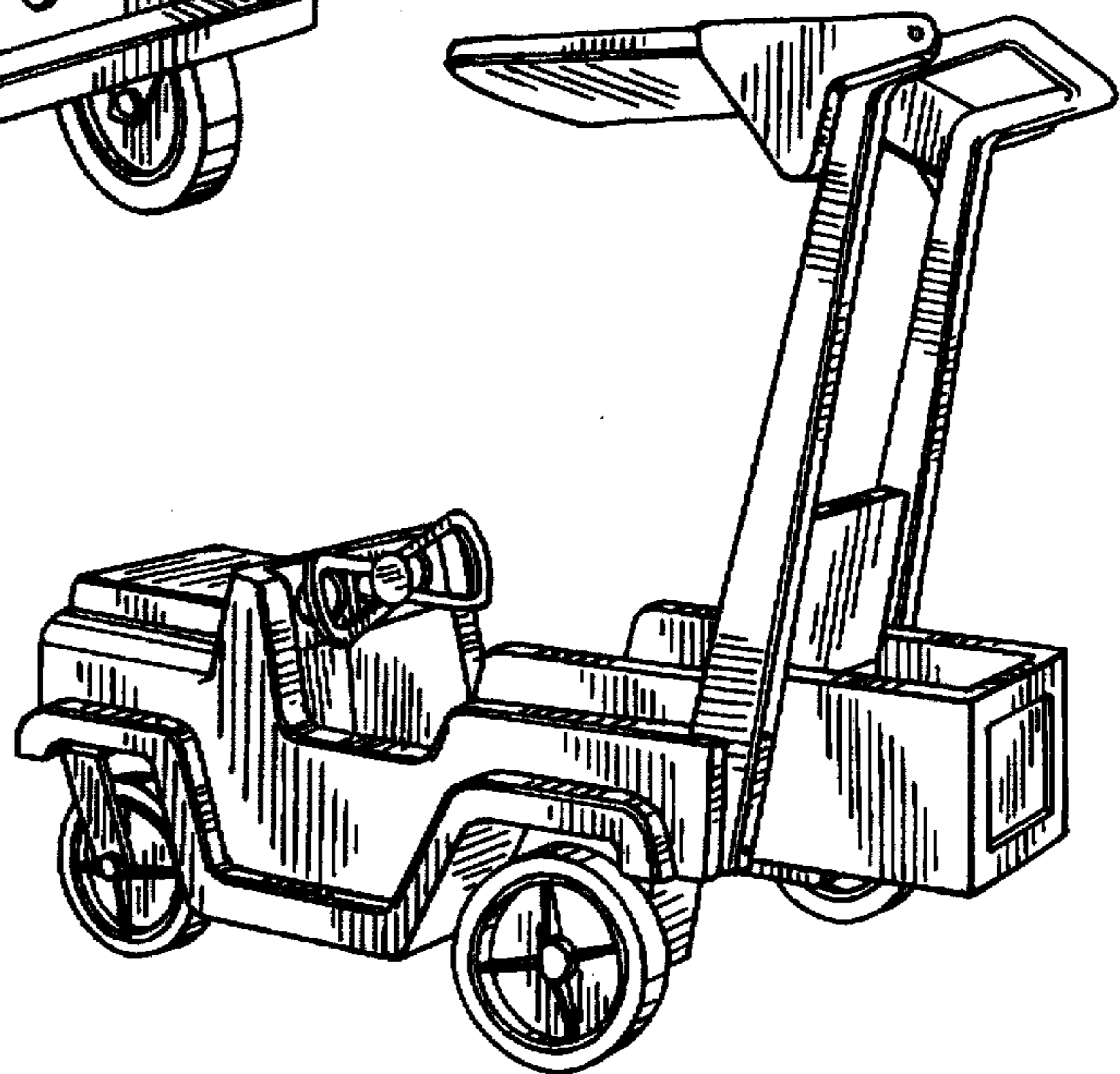


FIG. 2

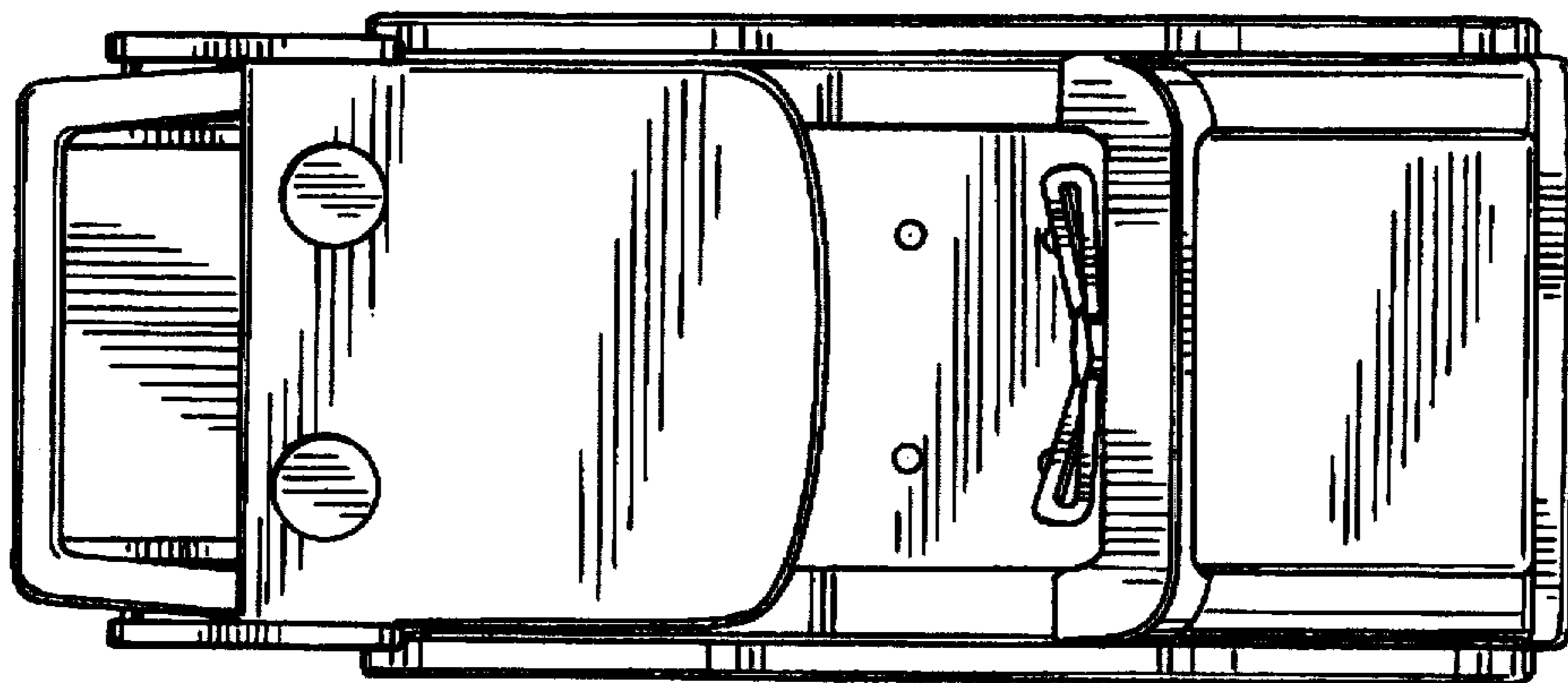


FIG. 3

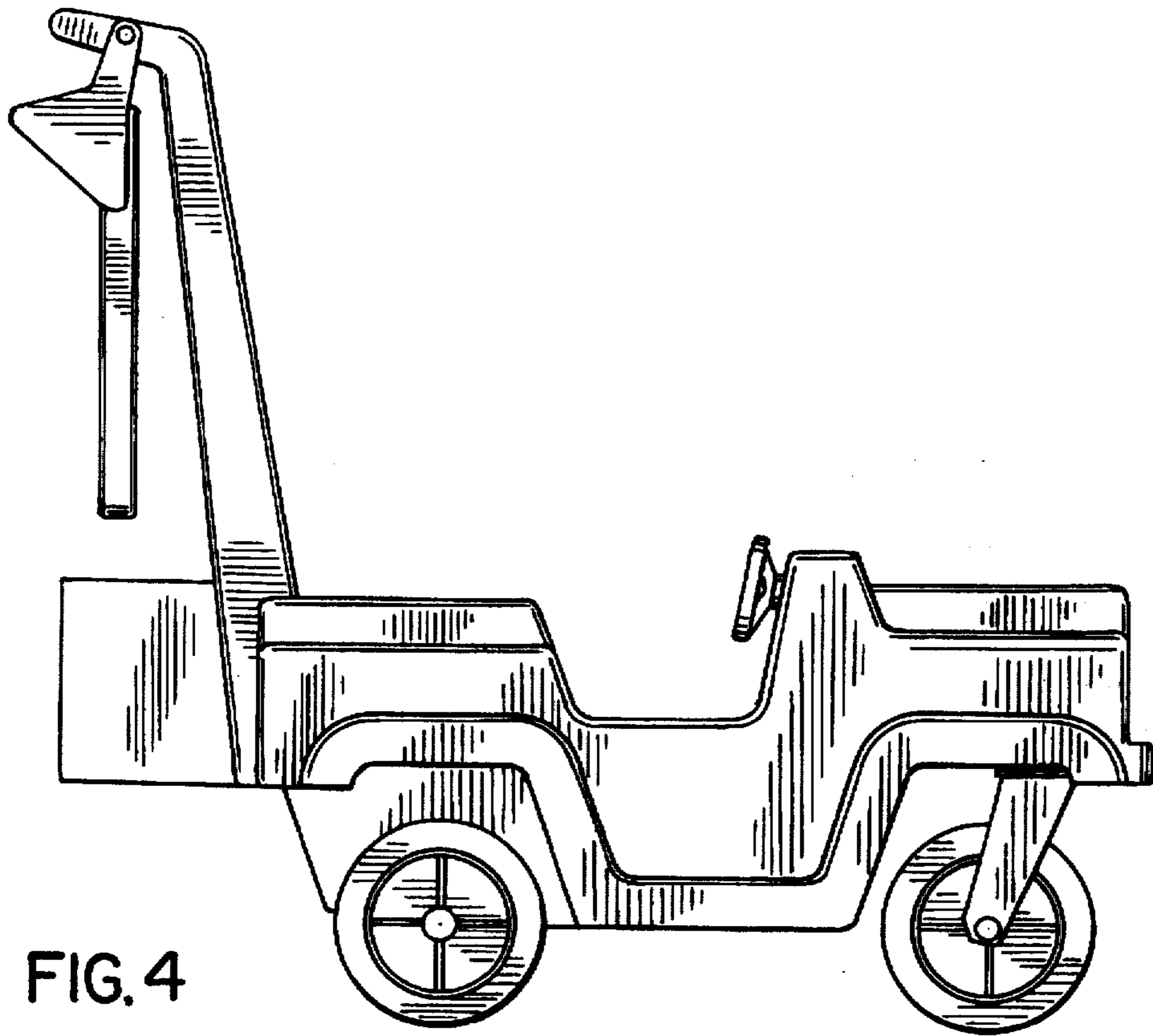


FIG. 4

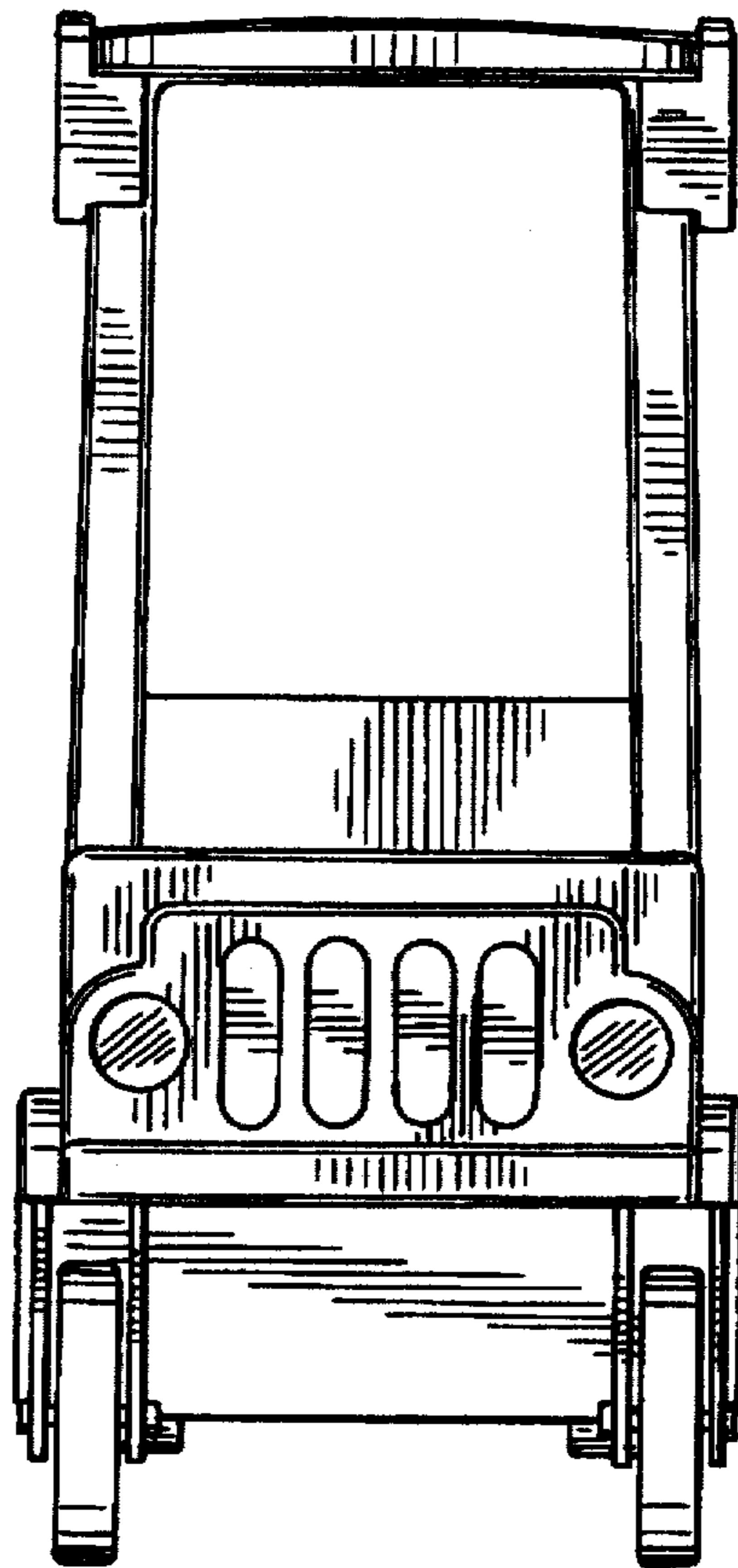


FIG. 5

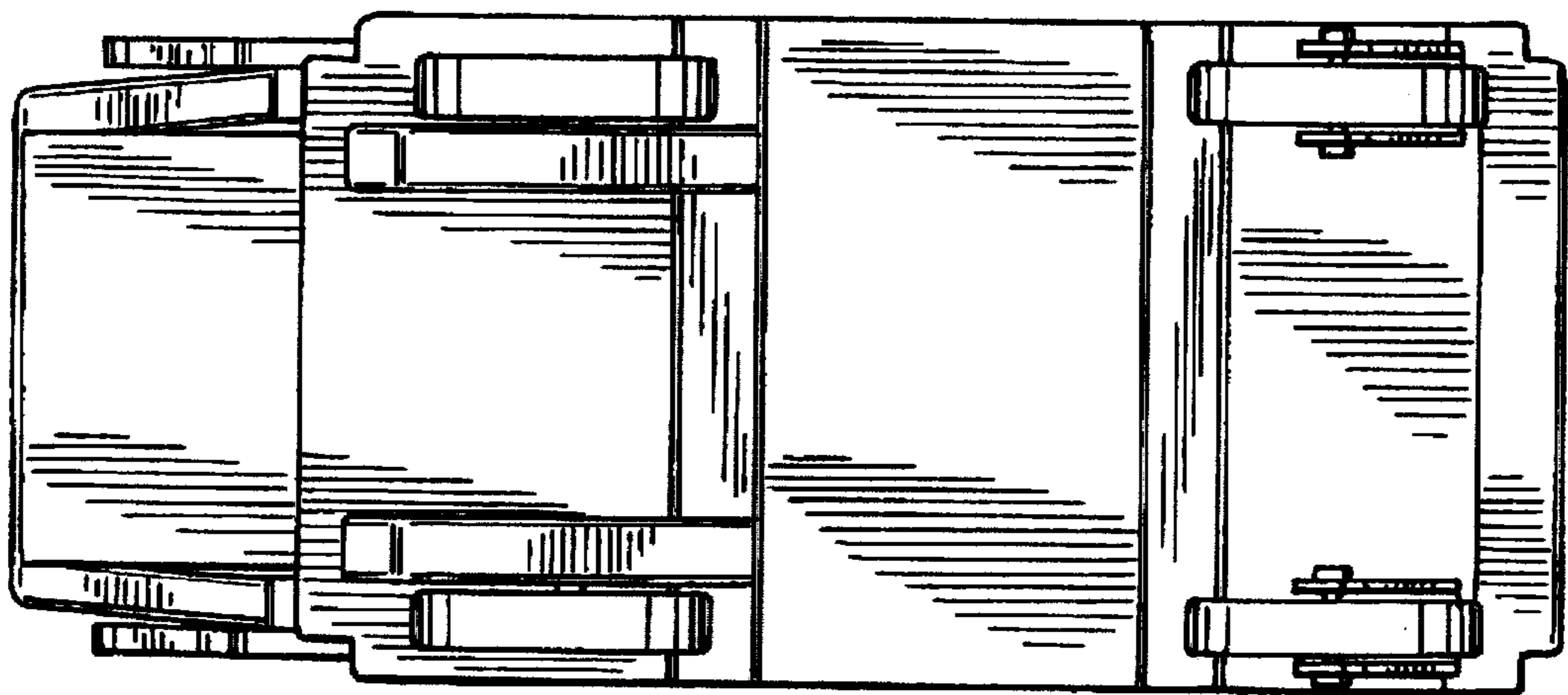


FIG. 6

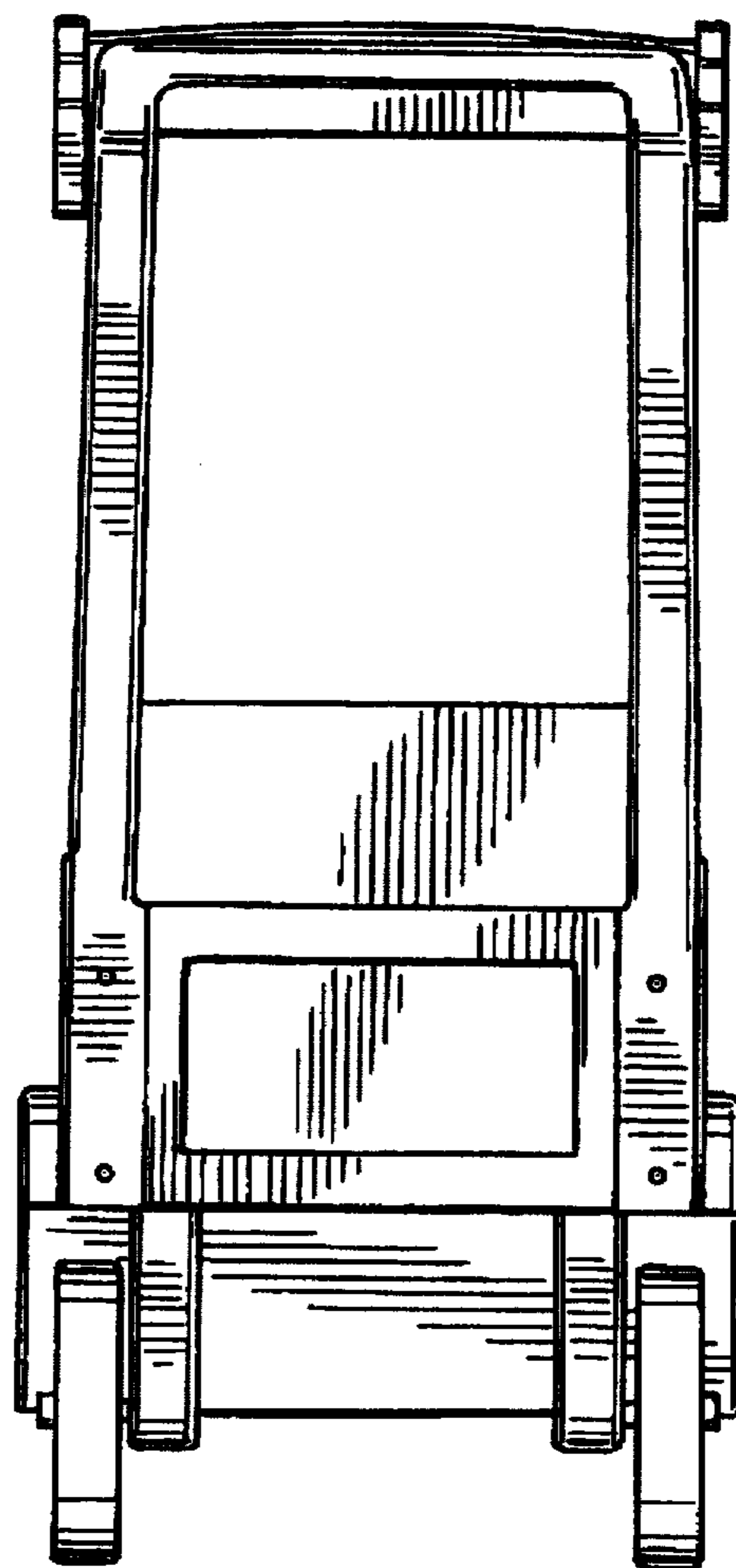


FIG. 7