

US00D388362S

United States Patent [19]

[11] Patent Number: **Des. 388,362**

Tuttle

[45] Date of Patent: ****Dec. 30, 1997**

[54] **PERSONAL ELEVATED AGRICULTURAL BED**

[76] Inventor: **Mark E. Tuttle, 703 W. 13th Street
P.O. Box 2664, Muncie, Ind. 47307**

[**] Term: **14 Years**

[21] Appl. No.: **55,821**

[22] Filed: **May 3, 1996**

[51] LOC (6) Cl. **11-02**

[52] U.S. Cl. **D11/155**

[58] Field of Search D11/143-145,
D11/155, 156; D6/403-405, 556; 47/18 R,
26 R, 28.1-32, 38-41.13, 44-47, 62, 66-72,
79 N, 82, 83, 86; 220/505, 606

[56] **References Cited**

U.S. PATENT DOCUMENTS

D. 100,165	6/1936	Kalpakoff	D6/480
D. 255,951	7/1980	Kienel	D6/480
D. 281,555	12/1985	Levy	D6/406
D. 300,468	3/1989	Ochs	D6/484
D. 359,930	7/1995	Tuttle	D11/155
500,328	8/1893	Coon	47/18 R
869,523	10/1907	Schmidt	47/66
972,220	10/1910	O'Donoghue	47/18 R
1,055,914	3/1913	Hus	47/18 R
1,851,710	3/1932	Lefevre	52/102
2,261,326	11/1941	Atkisson et al.	248/27.8
2,803,091	8/1957	Redford	47/38
3,451,162	6/1969	Rasmussen	47/62

3,772,827	11/1973	Ware	47/39
3,841,023	10/1974	Carylon, Jr.	47/38
4,033,072	7/1977	Kabayashi et al.	47/62
4,170,844	10/1979	Steele	47/62
4,177,604	12/1979	Friesen	47/62
4,214,670	7/1980	Berger et al.	220/606
4,218,847	8/1980	Leroux	47/59
5,040,328	8/1991	Coon	47/1.1
5,067,275	11/1991	Constance	47/62
5,251,399	10/1993	Rasmussen	47/39

FOREIGN PATENT DOCUMENTS

4116611 11/1992 Germany 47/44 R

Primary Examiner—Caron D. Veynar

Attorney, Agent, or Firm—Ice Miller Donadio & Ryan;
Doreen J. Gridley

[57] **CLAIM**

The ornamental design for a personal elevated agricultural bed, as shown and described.

DESCRIPTION

FIG. 1 is a perspective view of the elevated agricultural bed showing my new design;

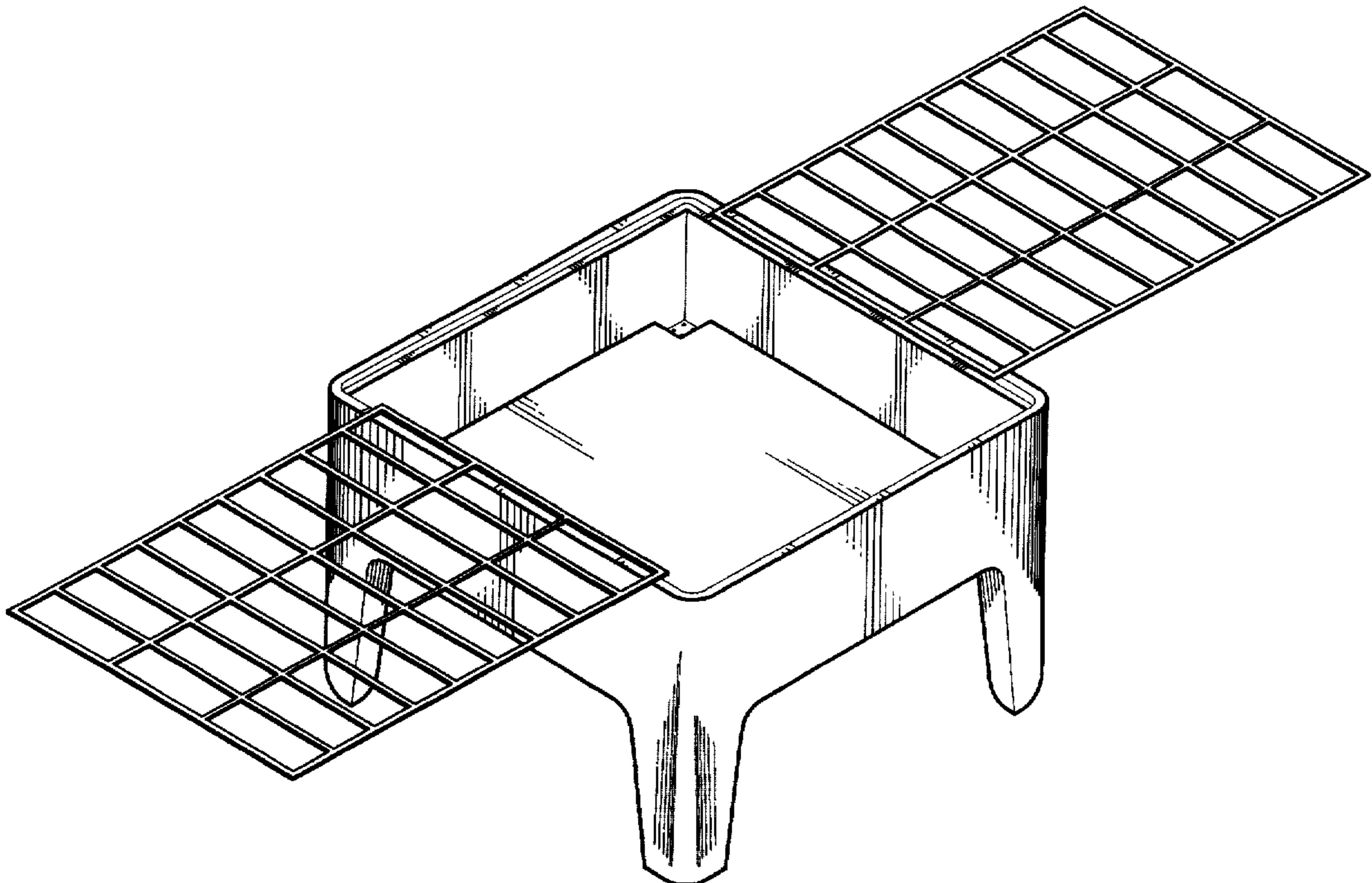
FIG. 2 is a top plan view shown on a reduced scale;

FIG. 3 is a bottom plan view shown on a reduced scale;

FIG. 4 is an end view shown on a reduced scale, the opposite end is a mirror image; and,

FIG. 5 is a side view shown on an enlarged scale, the opposite side is a mirror image.

1 Claim, 5 Drawing Sheets



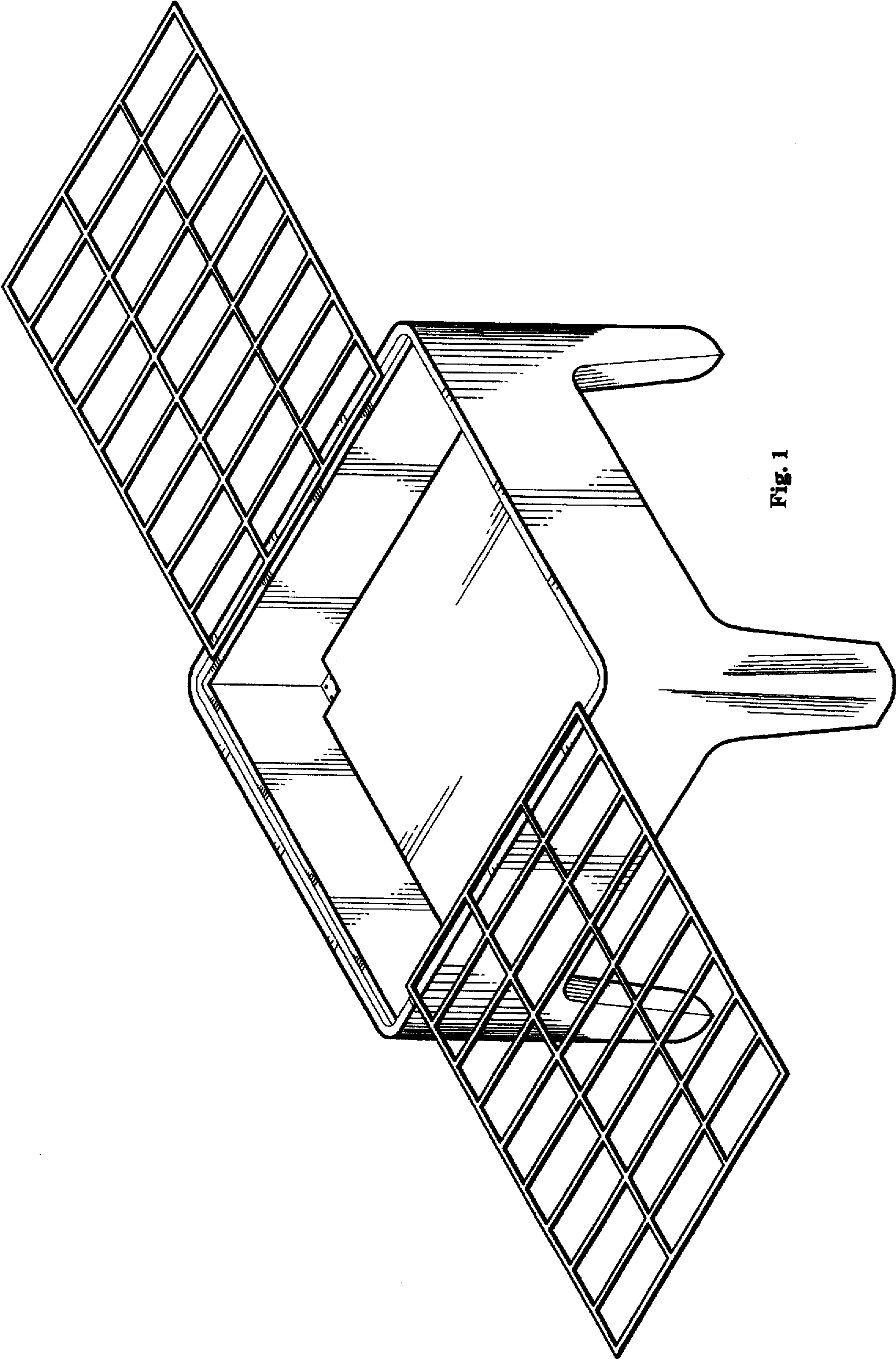


Fig. 1

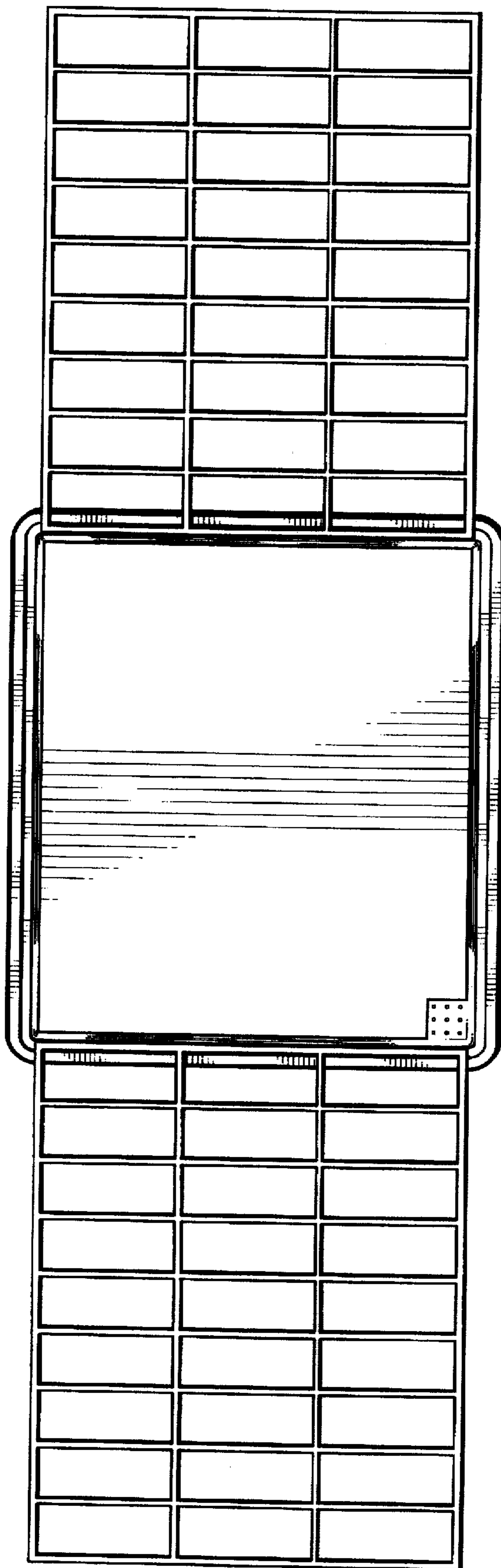


Fig. 2

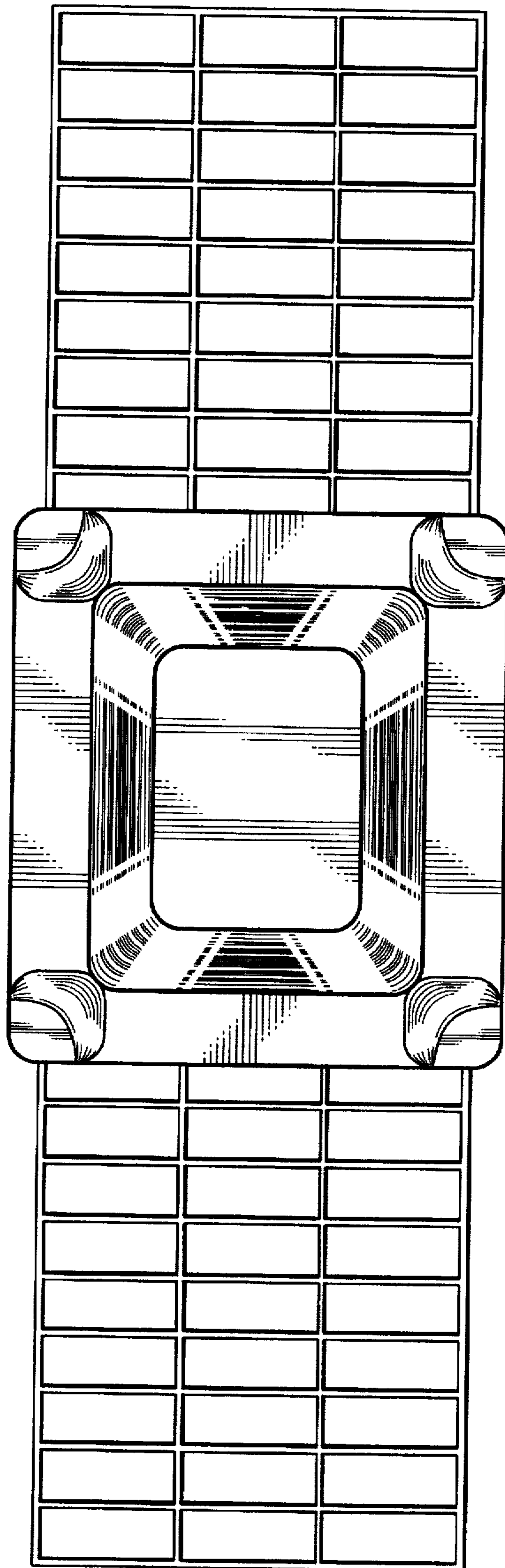


Fig. 3

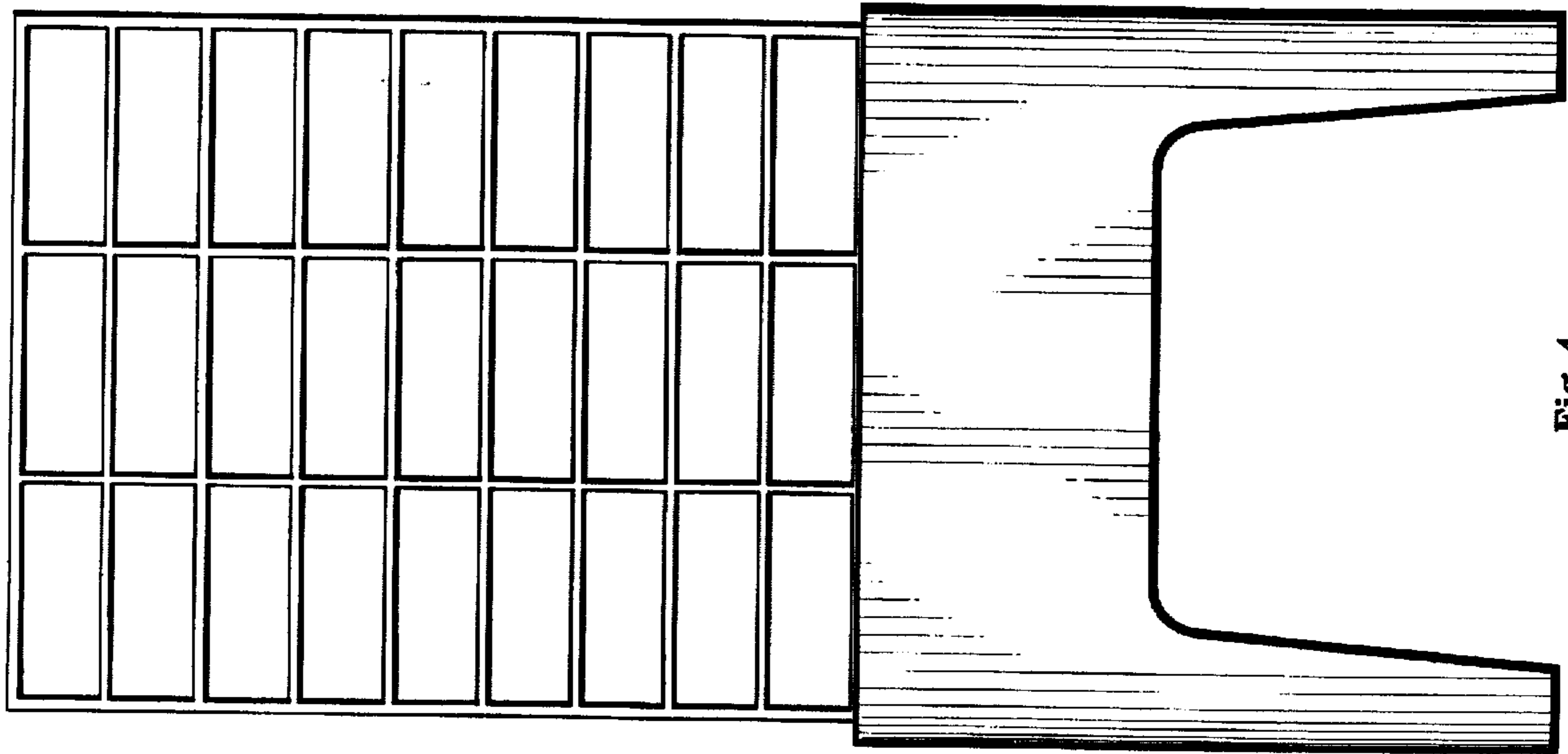


Fig. 4

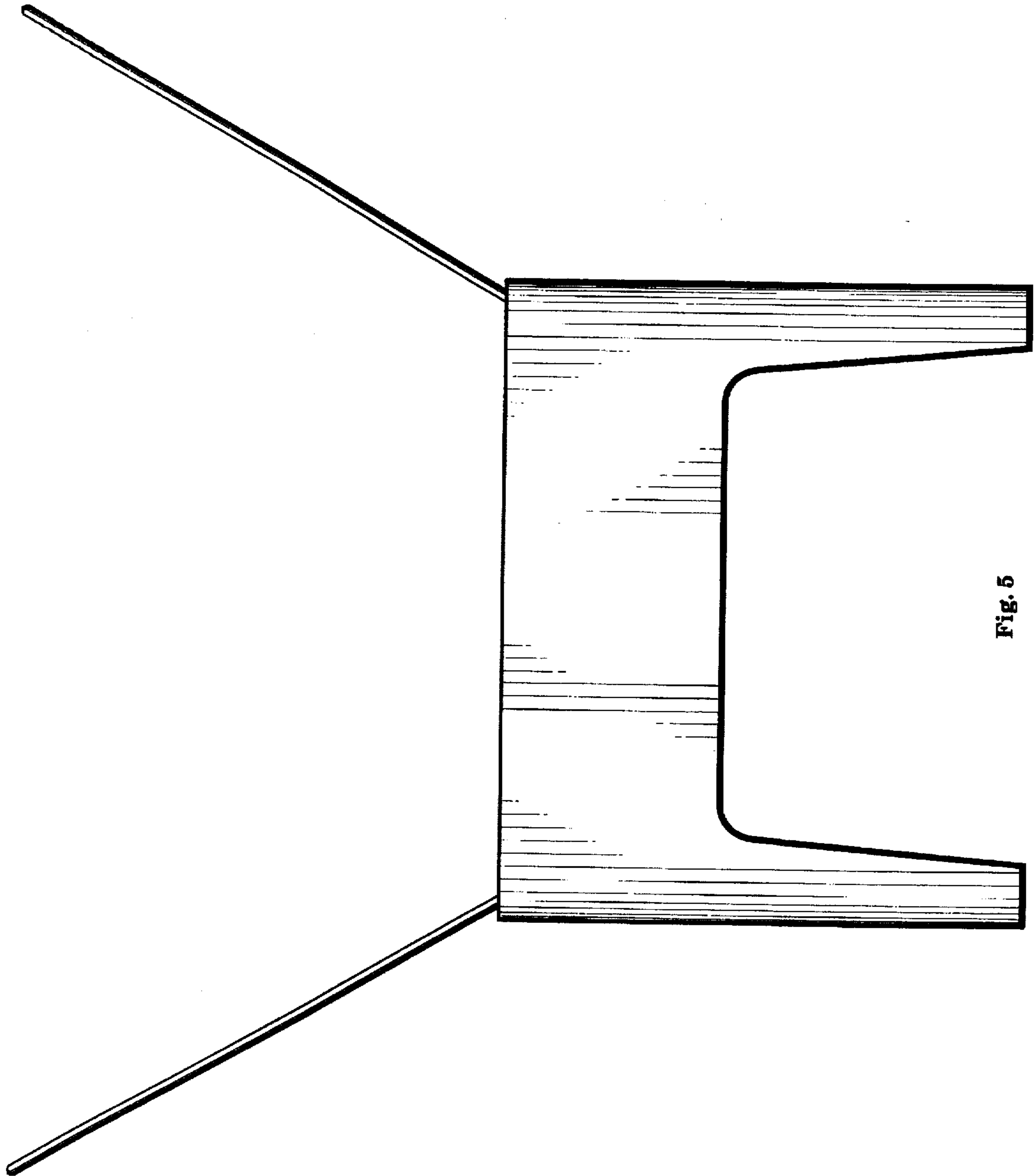


Fig. 5