



US00D388353S

# United States Patent [19]

Desborough et al.

[11] Patent Number: Des. 388,353

[45] Date of Patent: \*\*Dec. 30, 1997

## [54] REFLECTIVE PAVEMENT MARKER

[75] Inventors: **Brian Desborough, Yroba Linda; Ray Garrobo, Alta Loma, both of Calif.**

[73] Assignee: **Carl de la Torre, Los Angeles, Calif.**

[\*\*] Term: **14 Years**

[21] Appl. No.: **60,893**

[22] Filed: **Oct. 10, 1996**

[51] LOC (6) Cl. .... **10-05**

[52] U.S. Cl. .... **D10/113**

[58] Field of Search ..... D10/109, 111, D10/113, 114, 121; 404/5, 6, 7, 8, 9, 10, 11, 12, 13, 14, 15, 16; 40/606, 610, 611, 612

## [56] References Cited

### U.S. PATENT DOCUMENTS

|            |        |            |       |         |
|------------|--------|------------|-------|---------|
| D. 208,121 | 7/1967 | Keats      | ..... | D10/113 |
| D. 214,538 | 6/1969 | Hedgewick  | ..... | D10/113 |
| D. 219,845 | 2/1971 | Hedgewick  | ..... | D10/113 |
| D. 220,554 | 4/1971 | Hedgewick  | ..... | D10/113 |
| D. 326,424 | 5/1992 | Sakko      | ..... | D10/113 |
| D. 339,080 | 9/1993 | Gartlacher | ..... | D10/113 |
| D. 360,601 | 7/1995 | Weid       | ..... | D10/113 |

## OTHER PUBLICATIONS

Stimsonite promotional flyer prior to Oct. 10, 1996.  
Marker Supply promotional flyer prior to Oct. 10, 1996.  
APEX Universal promotional flyer prior to Oct. 10, 1996.

*Primary Examiner*—Marcus A. Jackson  
*Attorney, Agent, or Firm*—Charles H. Thomas

## [57] CLAIM

The ornamental for the article reflective pavement marker, as shown and described.

## DESCRIPTION

FIG. 1 is a perspective view of a reflective pavement marker, showing our new design;

FIG. 2 is a front elevational view thereof, it being understood that the rear elevational view is identical to the front; FIG. 3 is a right side elevational view thereof, it being understood that the left side elevational view thereof, it being understood that the left side elevational view is identical thereto;

FIG. 4 is a top plan view thereof; and, FIG. 5 is a bottom plan view thereof.

**1 Claim, 2 Drawing Sheets**

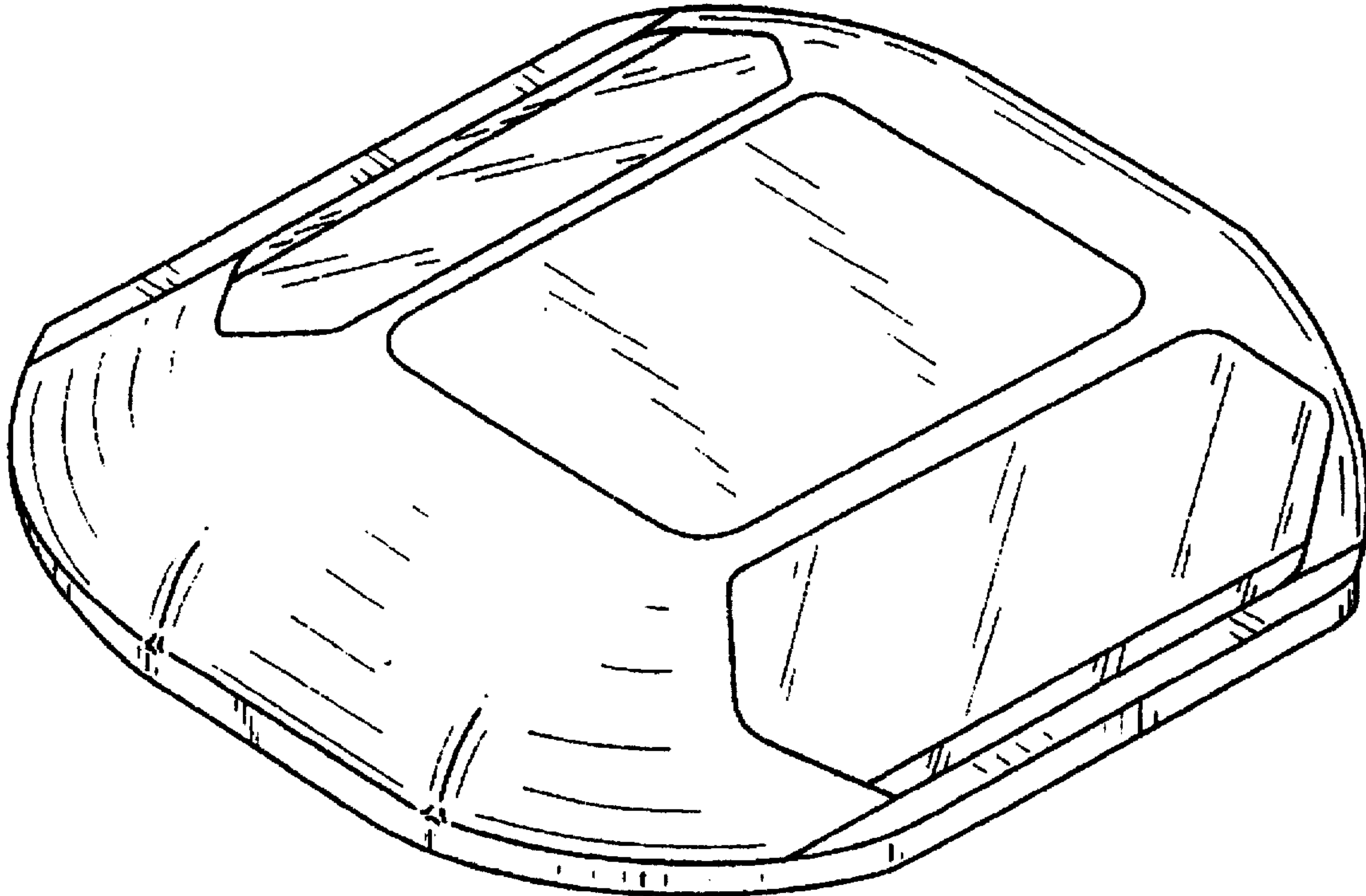


FIG. 1

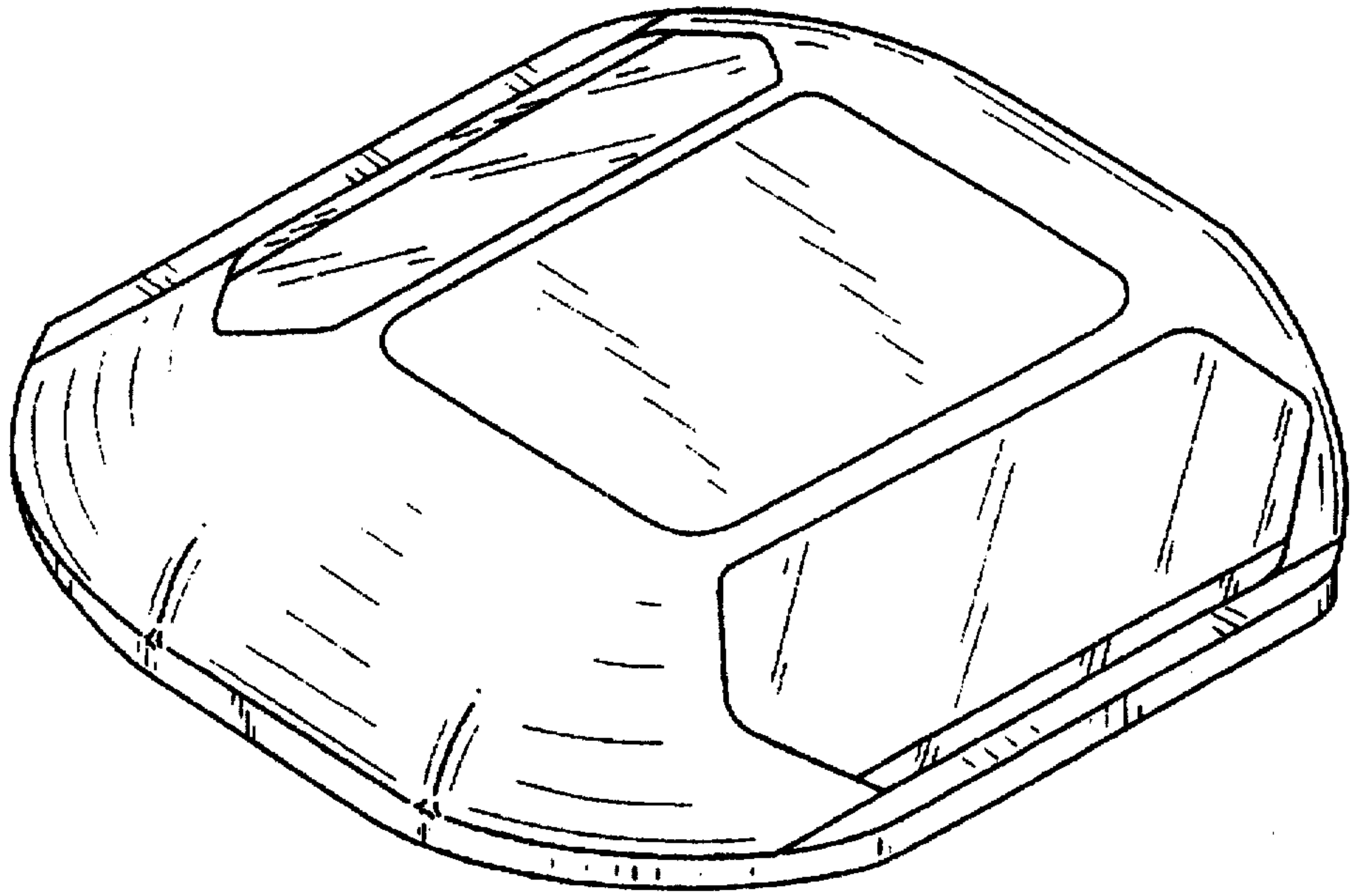


FIG. 2

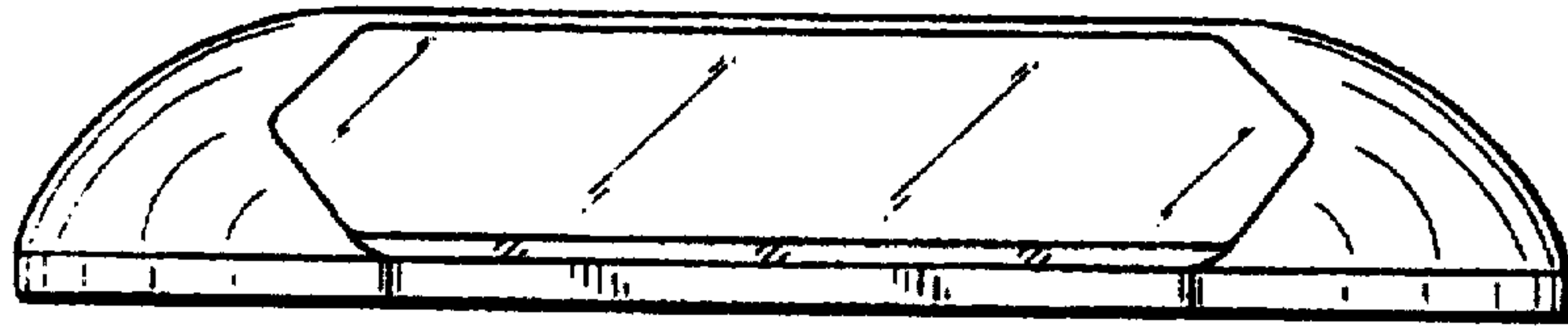


FIG. 3

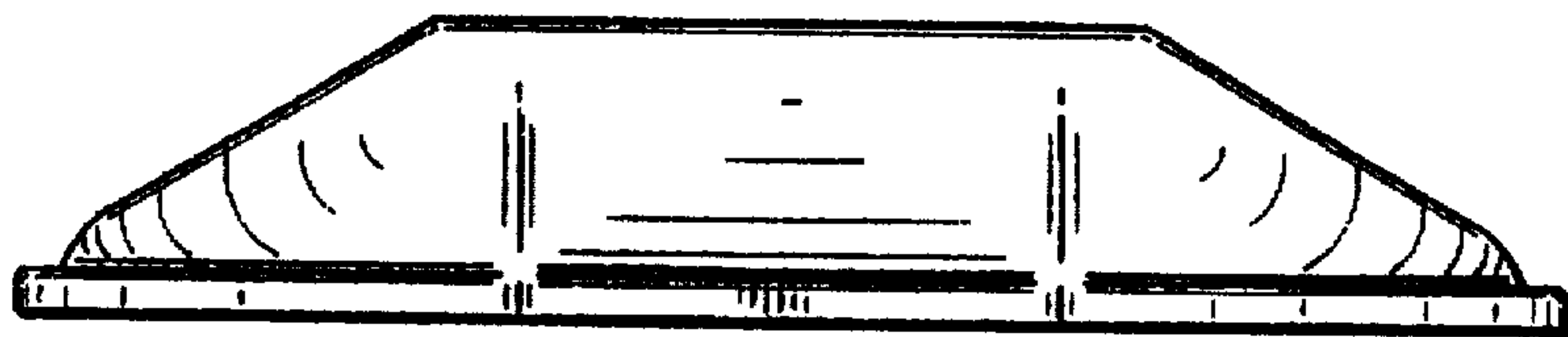


FIG. 4

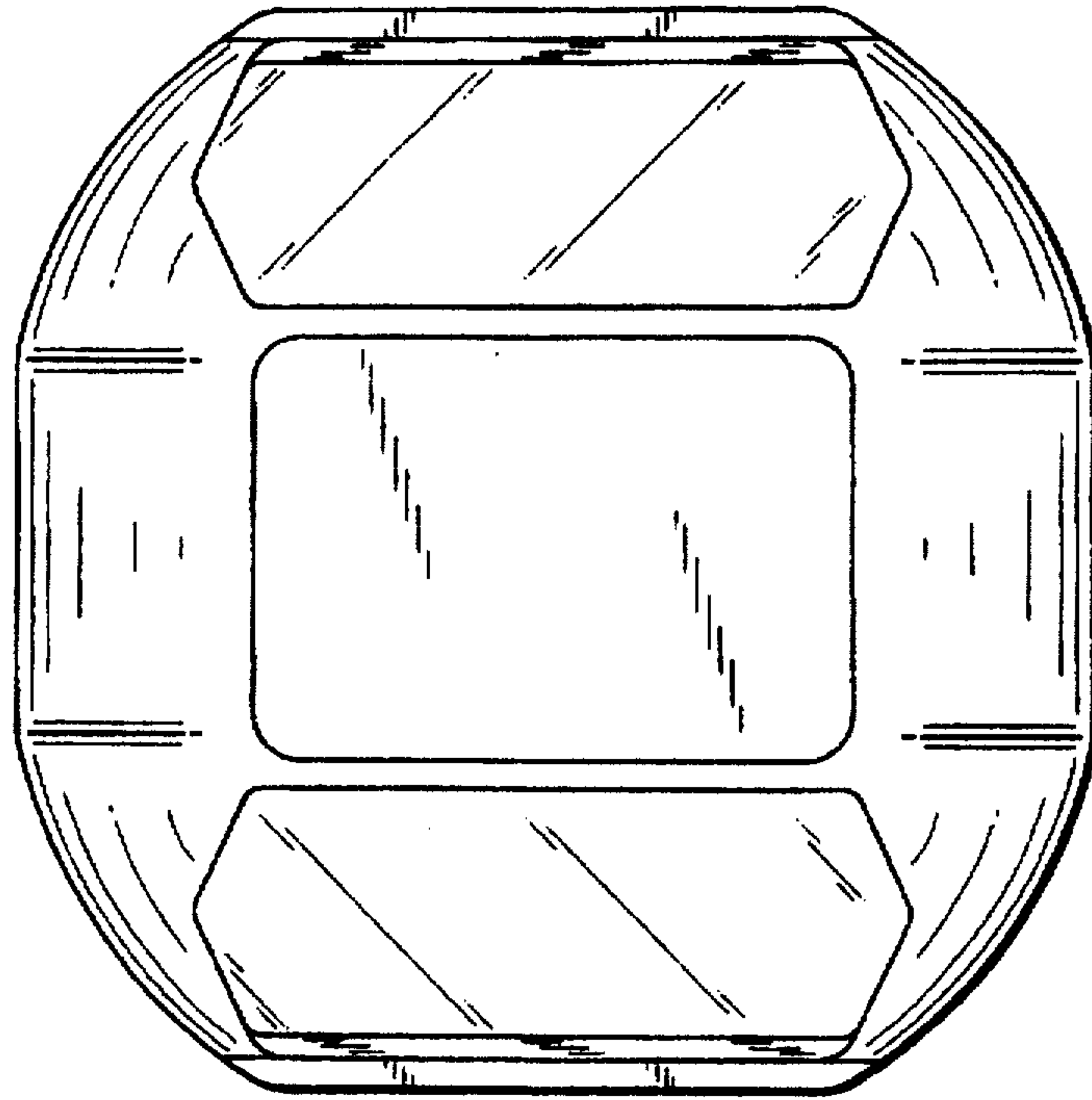


FIG. 5

