



US00D388344S

United States Patent [19]
Johansson

[11] **Patent Number: Des. 388,344**

[45] **Date of Patent: **Dec. 30, 1997**

[54] **LEVEL**

[76] **Inventor: Glenn Johansson, Telefonvägen 4,
Lanna, S-330 10 Bredaryd, Sweden**

[**] **Term: 14 Years**

[21] **Appl. No.: 57,760**

[22] **Filed: Jul. 31, 1996**

[30] **Foreign Application Priority Data**

Feb. 1, 1996 [DE] Germany M 96 00 950.0

[51] **LOC (6) CL. 10-04**

[52] **U.S. Cl. D10/69**

[58] **Field of Search D10/69; 33/365-390**

[56] **References Cited**

U.S. PATENT DOCUMENTS

D. 299,317 1/1989 Dahle D10/69

5,617,641 4/1997 Aarhus 33/374

Primary Examiner—Antoine Duval Davis

Attorney, Agent, or Firm—Rader, Fishman, Grauer & McGarry

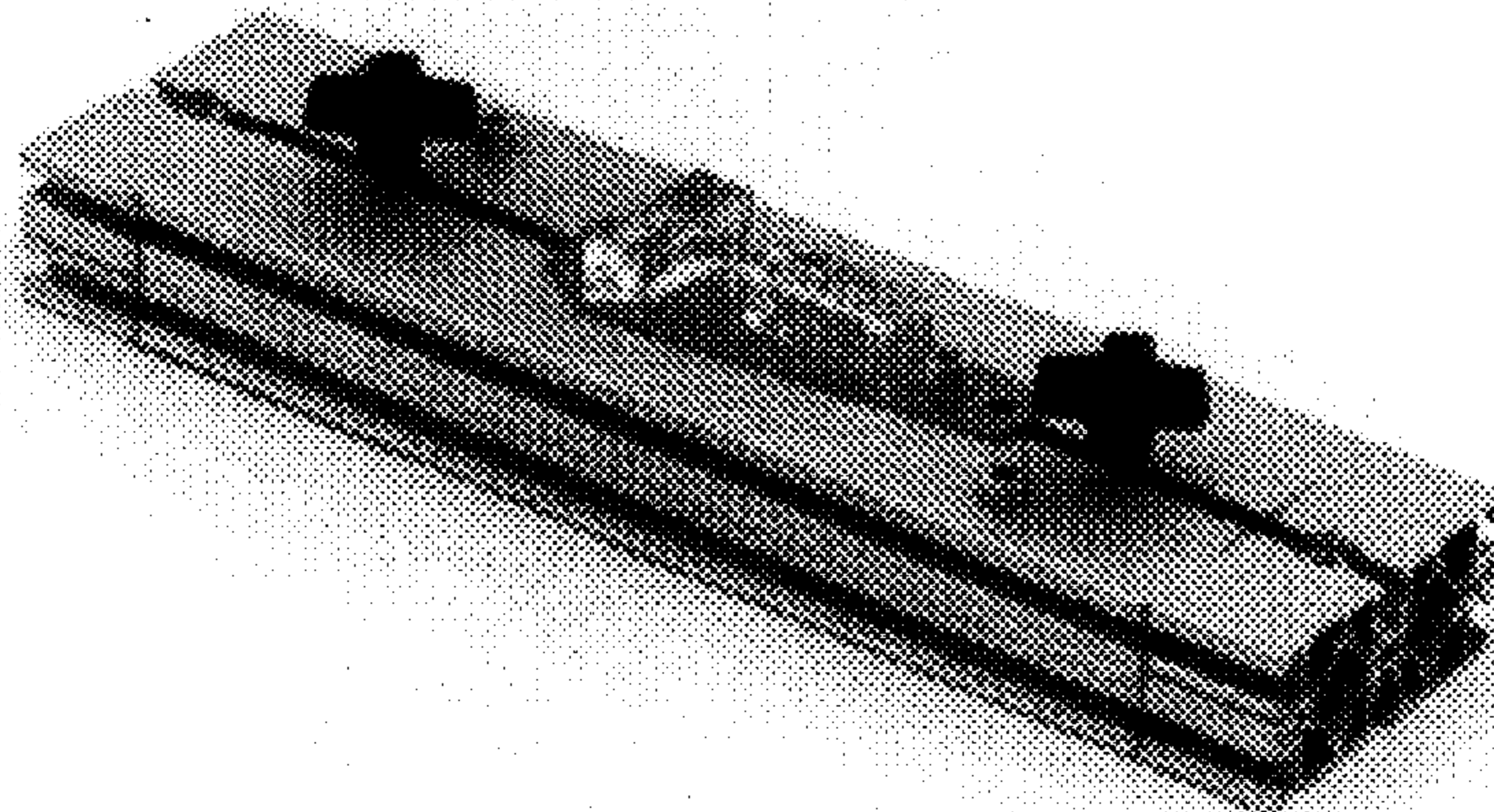
[57] **CLAIM**

The ornamental design for a level, as shown and described.

DESCRIPTION

FIG. 1 is a right side and top perspective view of a level showing my new design;
FIG. 2 is a left side and bottom perspective view thereof;
FIG. 3 is a right side and top perspective view of the level of FIG. 1 shown in the extended position;
FIG. 4 is a left side and bottom perspective view thereof shown in the extended position;
FIG. 5 is a right side and top perspective view of the second embodiment showing my new design;
FIG. 6 is a left side and bottom perspective view thereof;
FIG. 7 is a right side and top perspective view thereof shown in the extended position; and,
FIG. 8 is a left side and bottom perspective view thereof shown in the extended position.

1 Claim, 4 Drawing Sheets



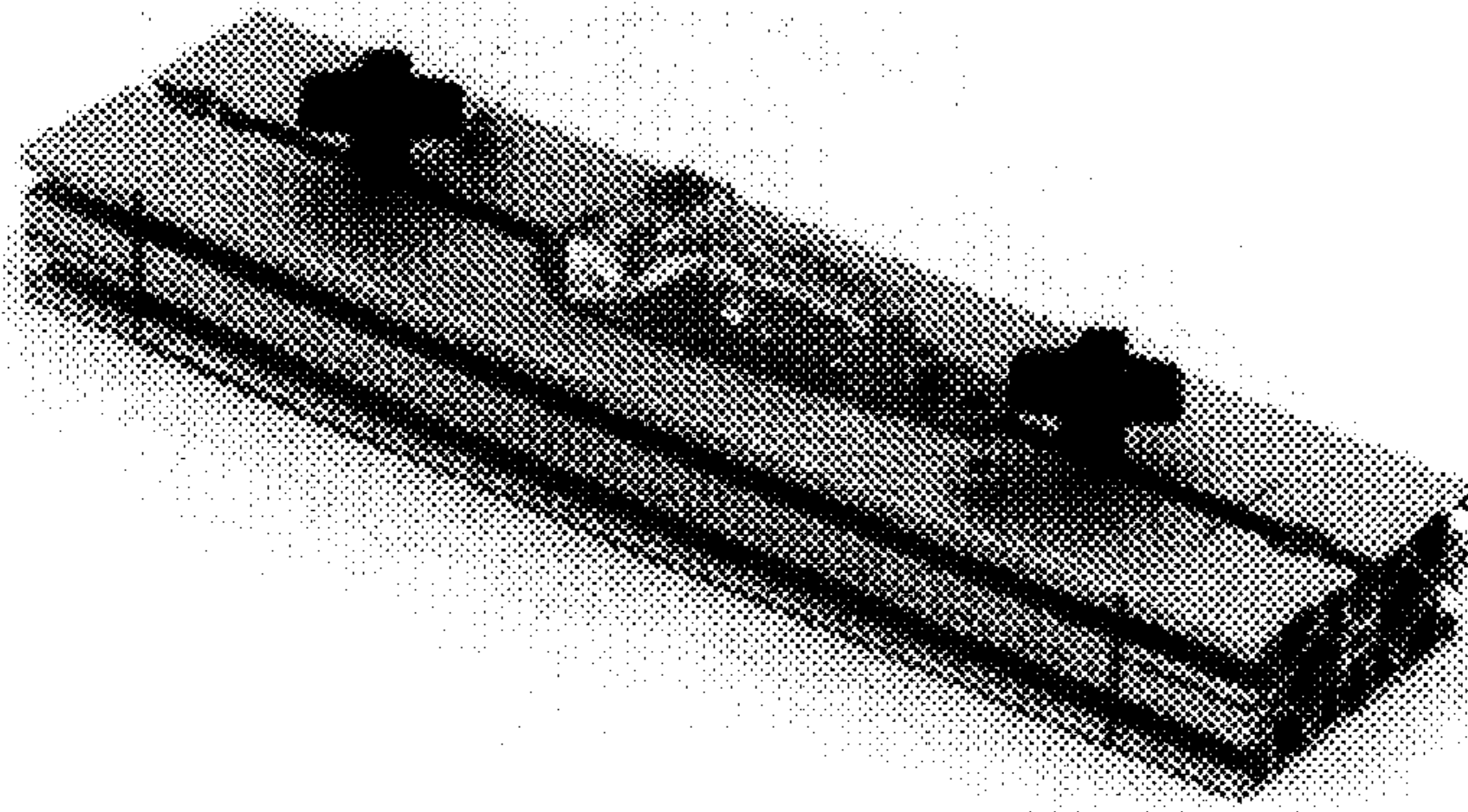


FIG. 1

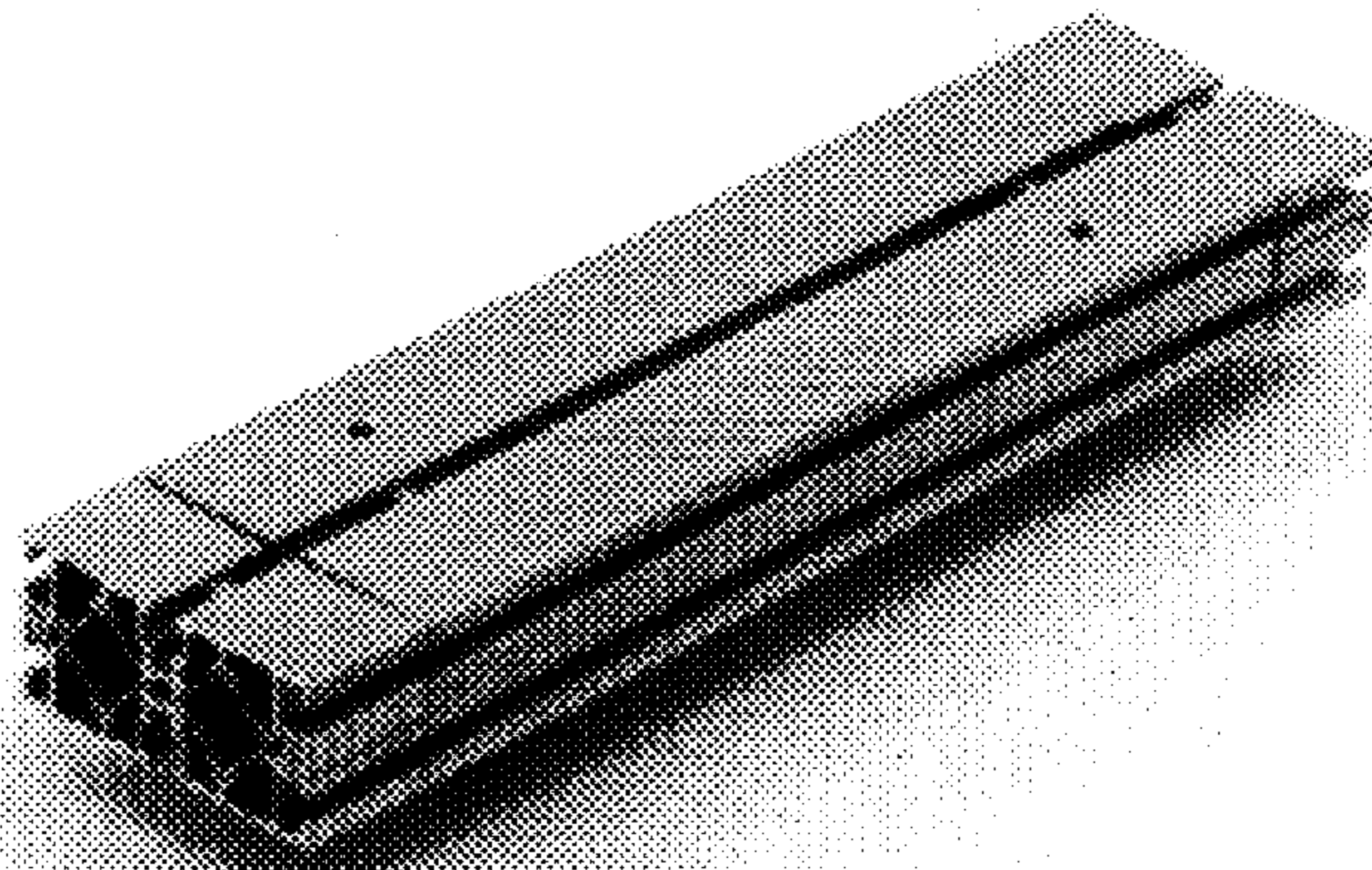


FIG. 2

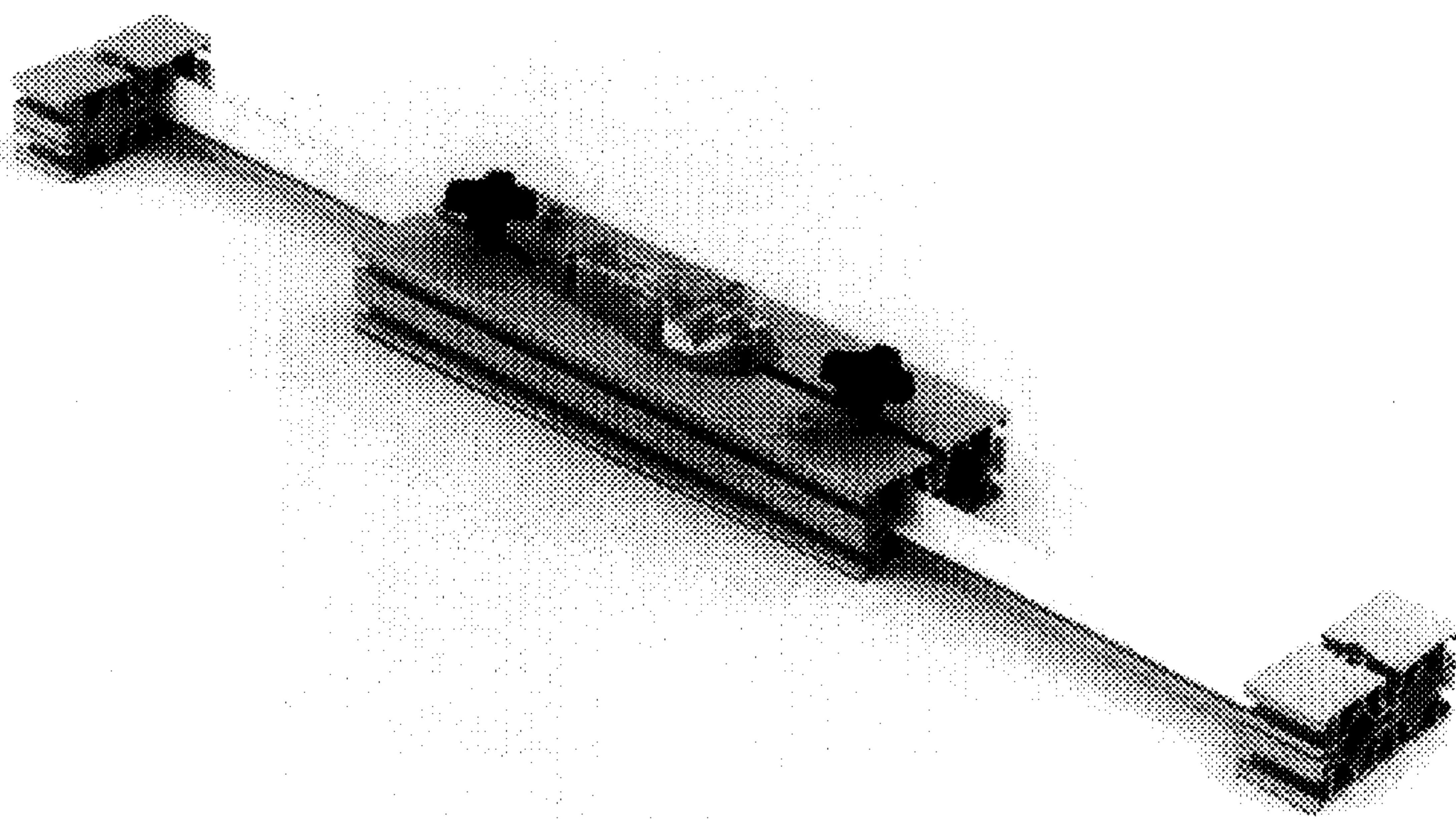


FIG. 3

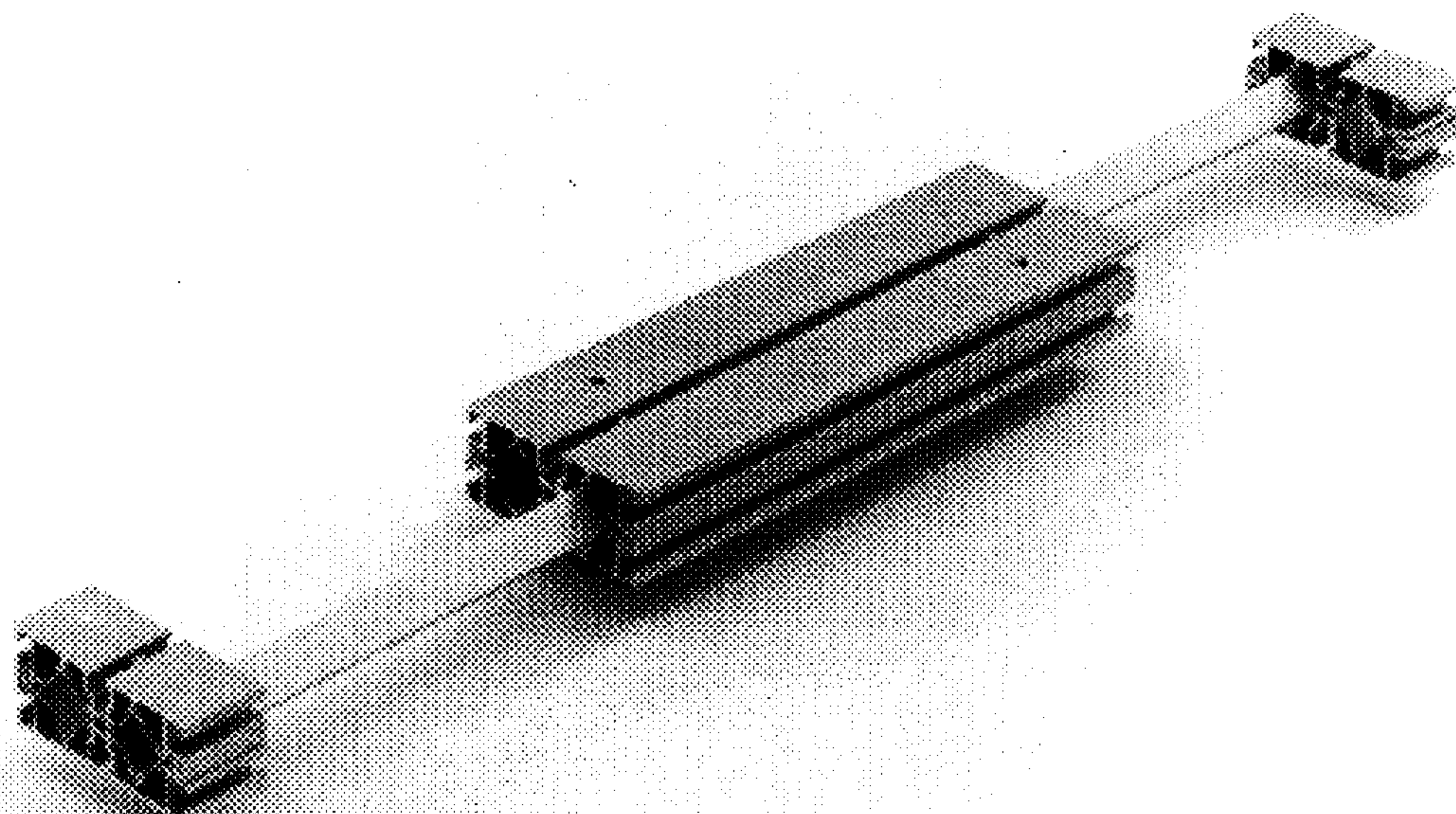


FIG. 4

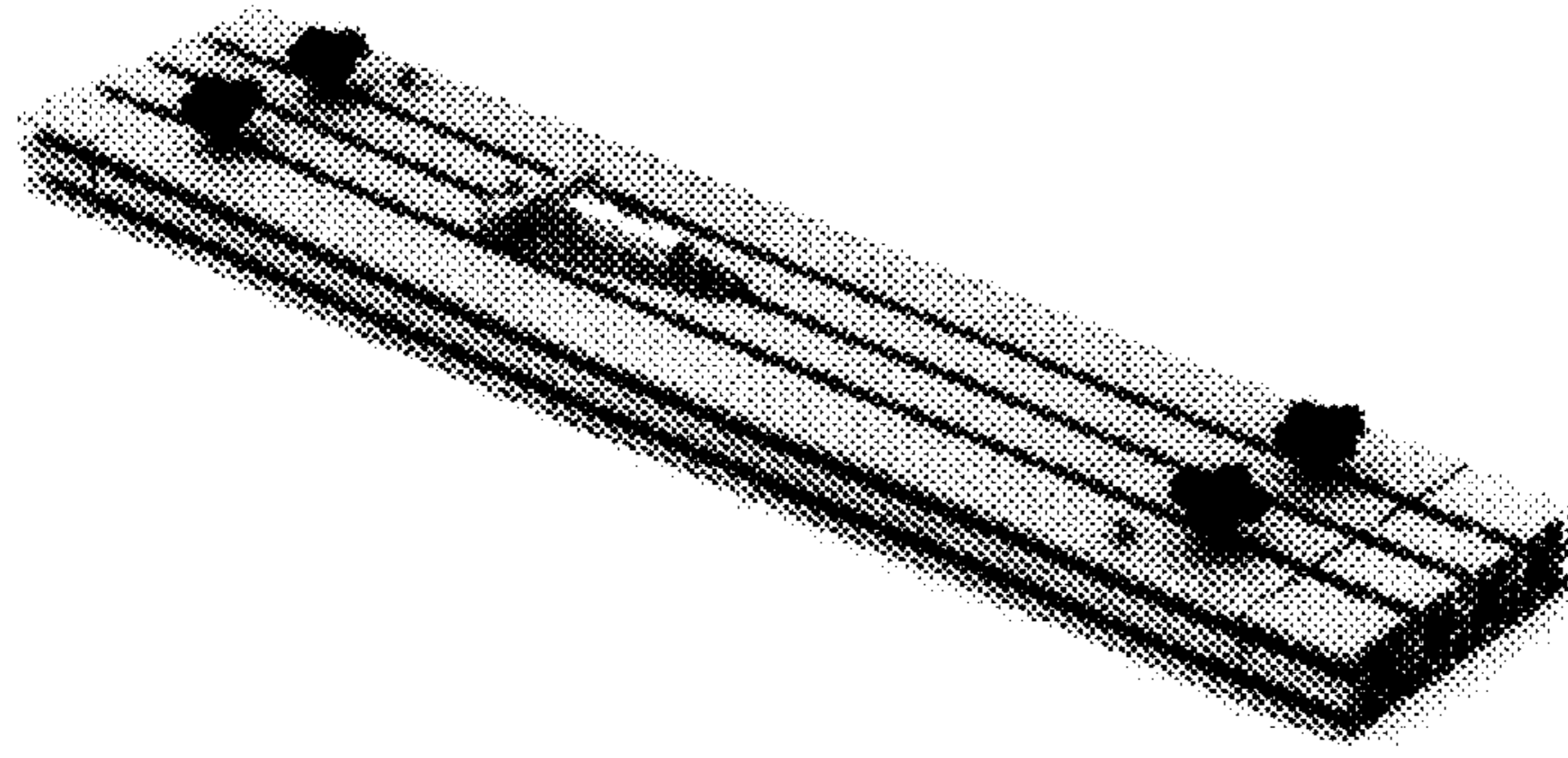


FIG. 5

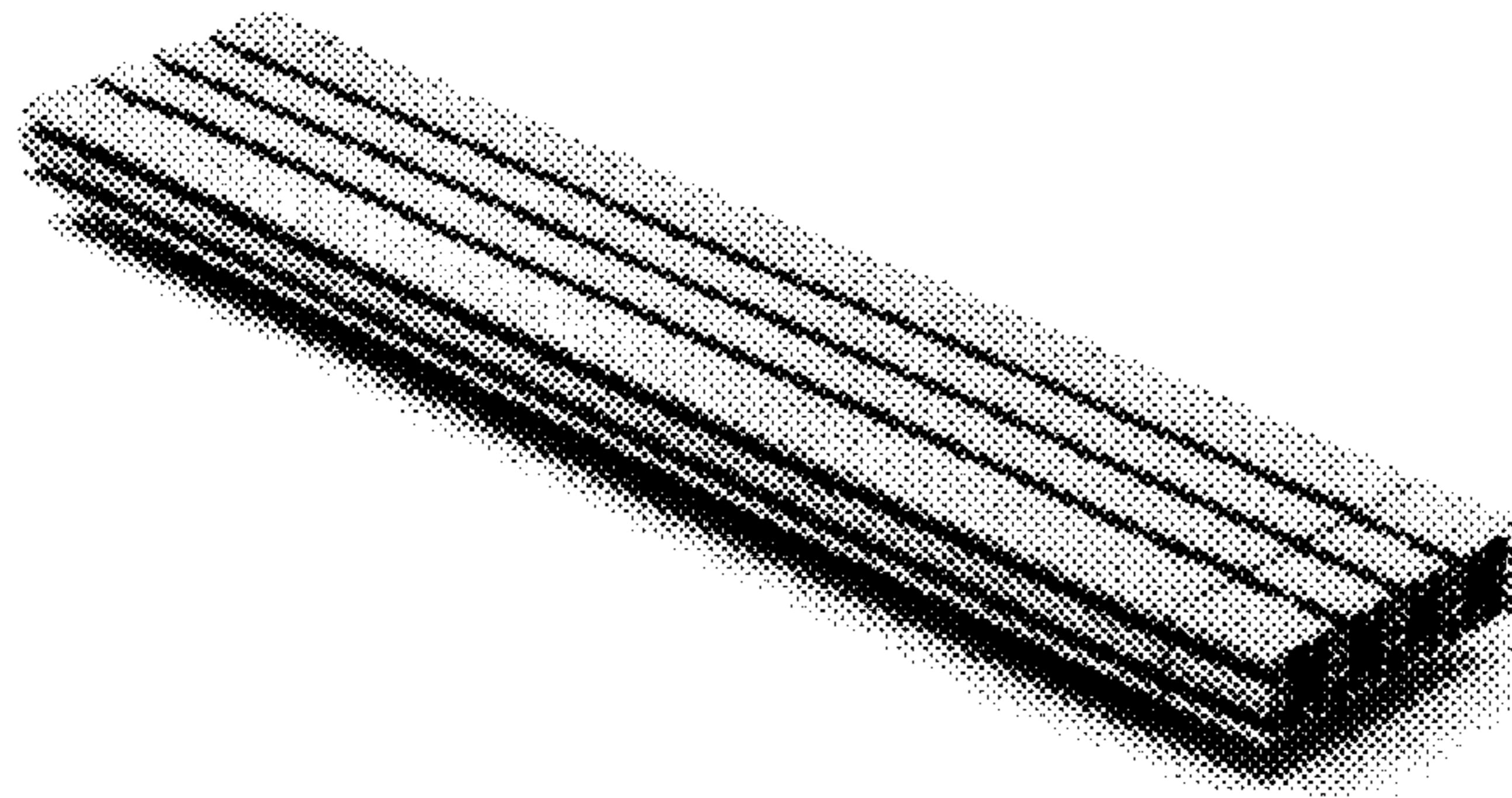


FIG. 6

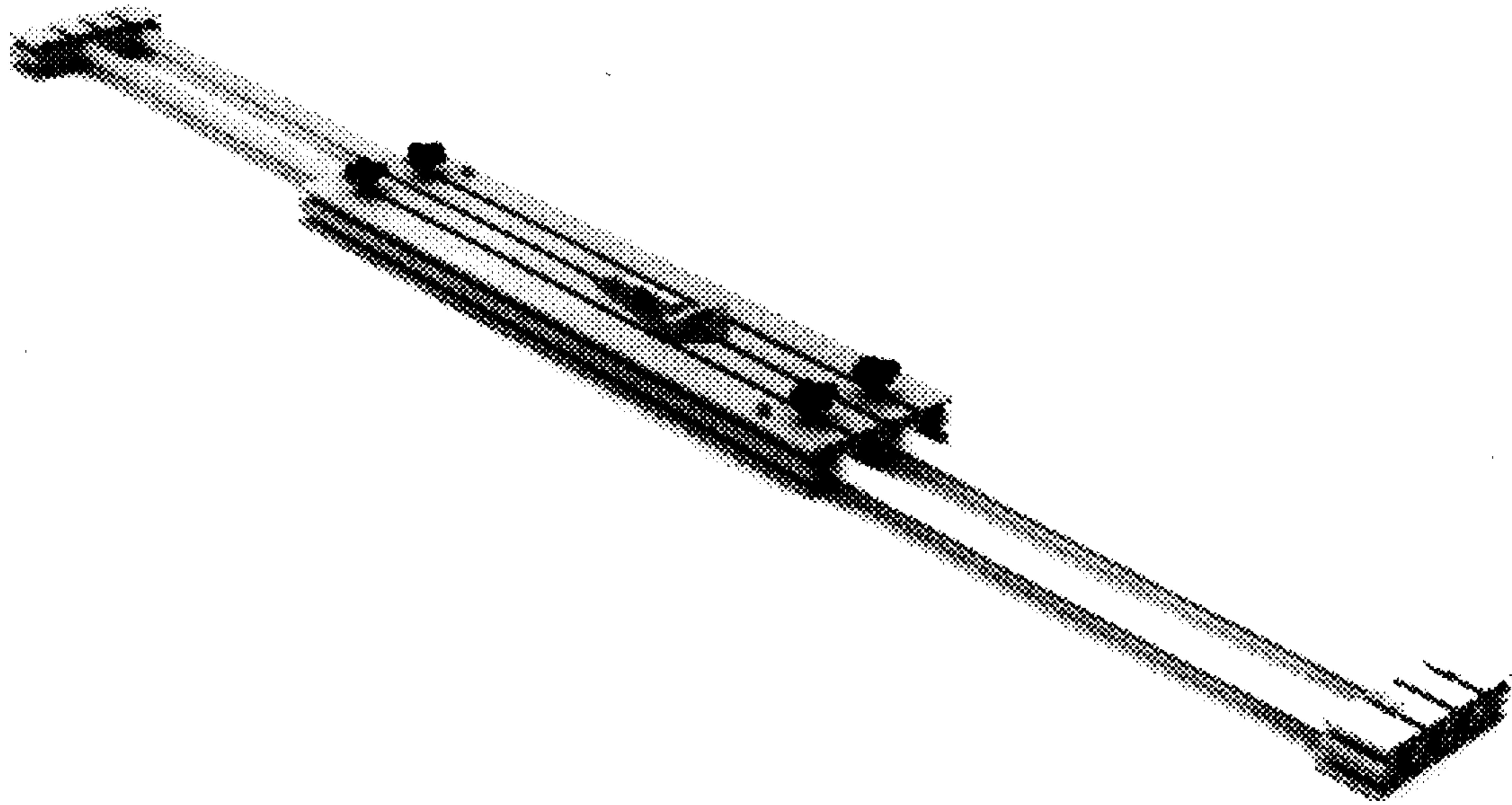


FIG. 7

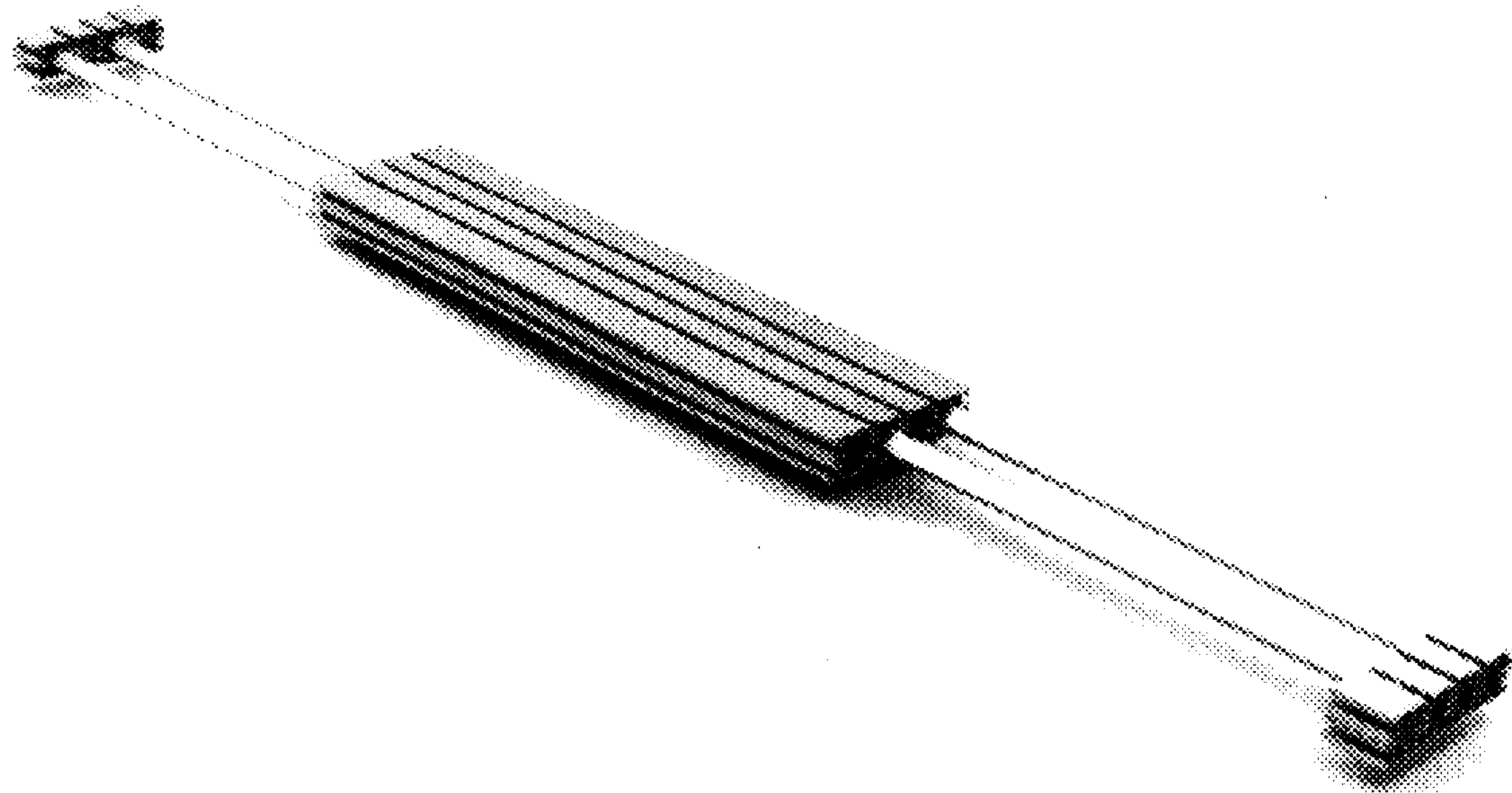


FIG. 8