



US00D388342S

# United States Patent [19]

Hughins et al.

[11] Patent Number: **Des. 388,342**

[45] Date of Patent: **\*\*Dec. 30, 1997**

[54] **COMBINED SCOREBOARD AND INTERCHANGEABLE INDICIA**

[76] Inventors: **B. Wayne Hughins**, 564 Eastbrook Dr., Birmingham, Ala. 35215; **D. C. Thrasher**, P.O. Box 156, Chelsea, Ala. 35043; **C. Mark Todd**, 729 29th St. S., Birmingham, Ala. 35233

[\*\*] Term: **14 Years**

[21] Appl. No.: **1,803**

[22] Filed: **Nov. 23, 1992**

[51] LOC (6) Cl. .... **21-01**

[52] U.S. Cl. .... **D10/46.1**

[58] Field of Search ..... D10/46, 46.1; 116/222, 224, 225; D20/10, 18, 19, 40, 42; 40/1, 576, 584, 611, 618

[56] **References Cited**

**U.S. PATENT DOCUMENTS**

D. 165,155 11/1951 Hammond ..... D20/42

D. 278,725 5/1985 Caroselli ..... D20/42  
D. 340,080 10/1993 Shields ..... D20/42  
2,891,337 6/1959 Breslaw ..... D20/18 X  
4,461,107 7/1984 Grate ..... 40/576

*Primary Examiner*—B. J. Bullock  
*Assistant Examiner*—Cheri Cohen

[57] **CLAIM**

The ornamental design for a combined scoreboard and interchangeable indicia, as shown and described.

**DESCRIPTION**

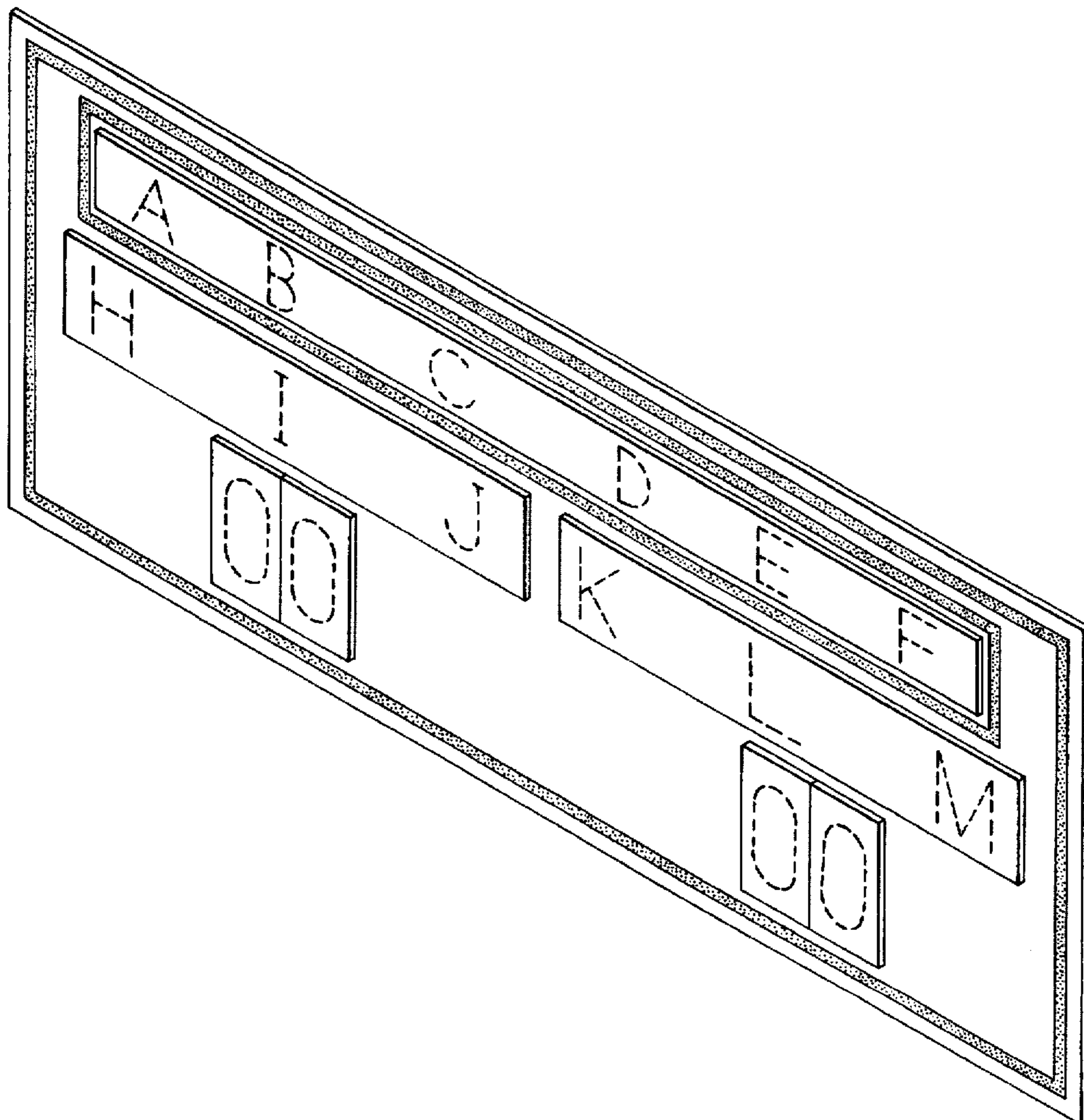
FIG. 1 is a perspective view of a combined scoreboard and interchangeable indicia showing our new design, the broken lines are shown for illustrative purposes only and form no part of the claimed design;

FIG. 2 is a reduced front elevational view thereof;

FIG. 3 is a reduced right side elevational view thereof, the left side being a mirror image; and,

FIG. 4 is a reduced top plan view thereof.

**1 Claim, 1 Drawing Sheet**



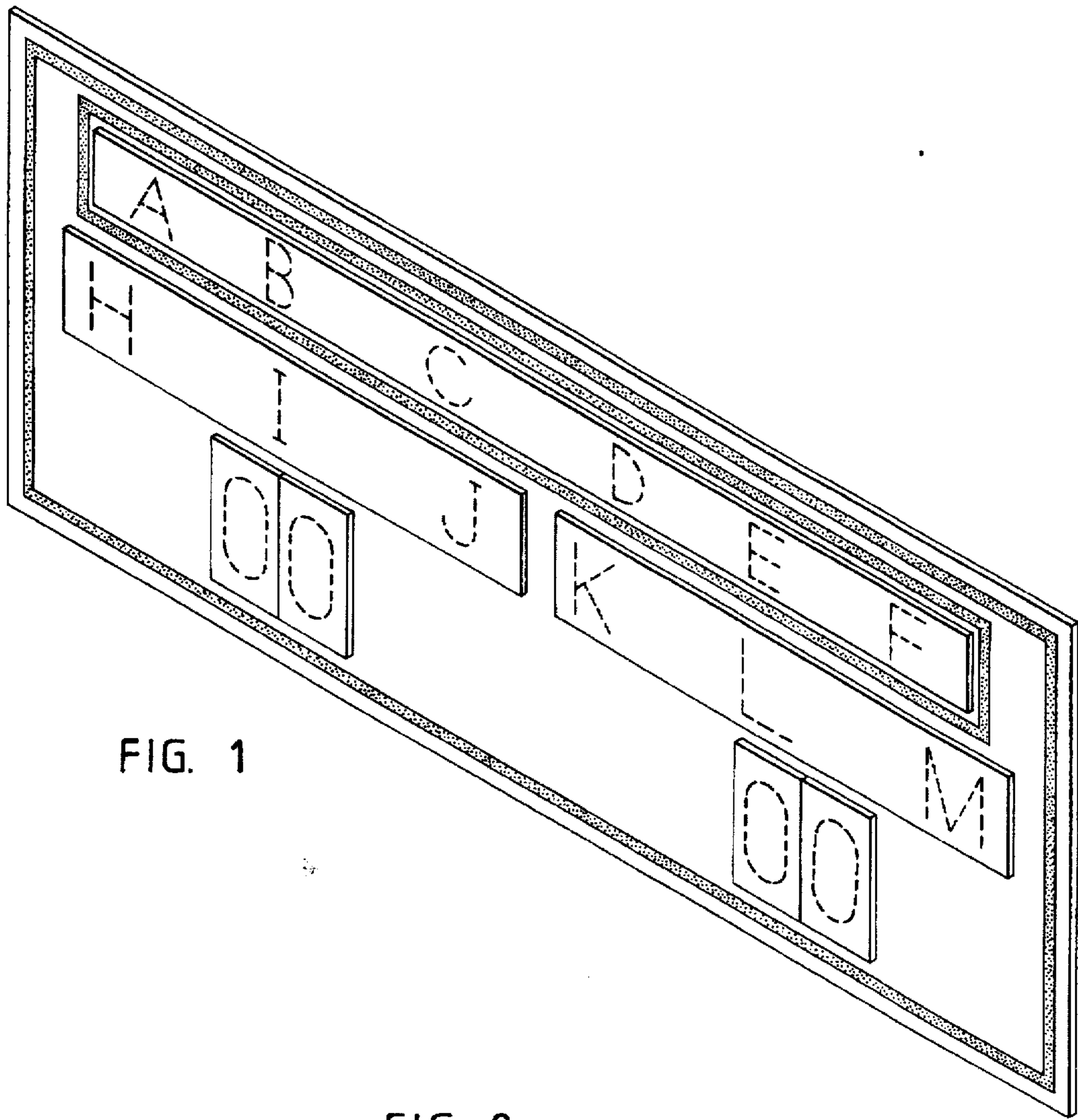


FIG. 1

FIG. 2

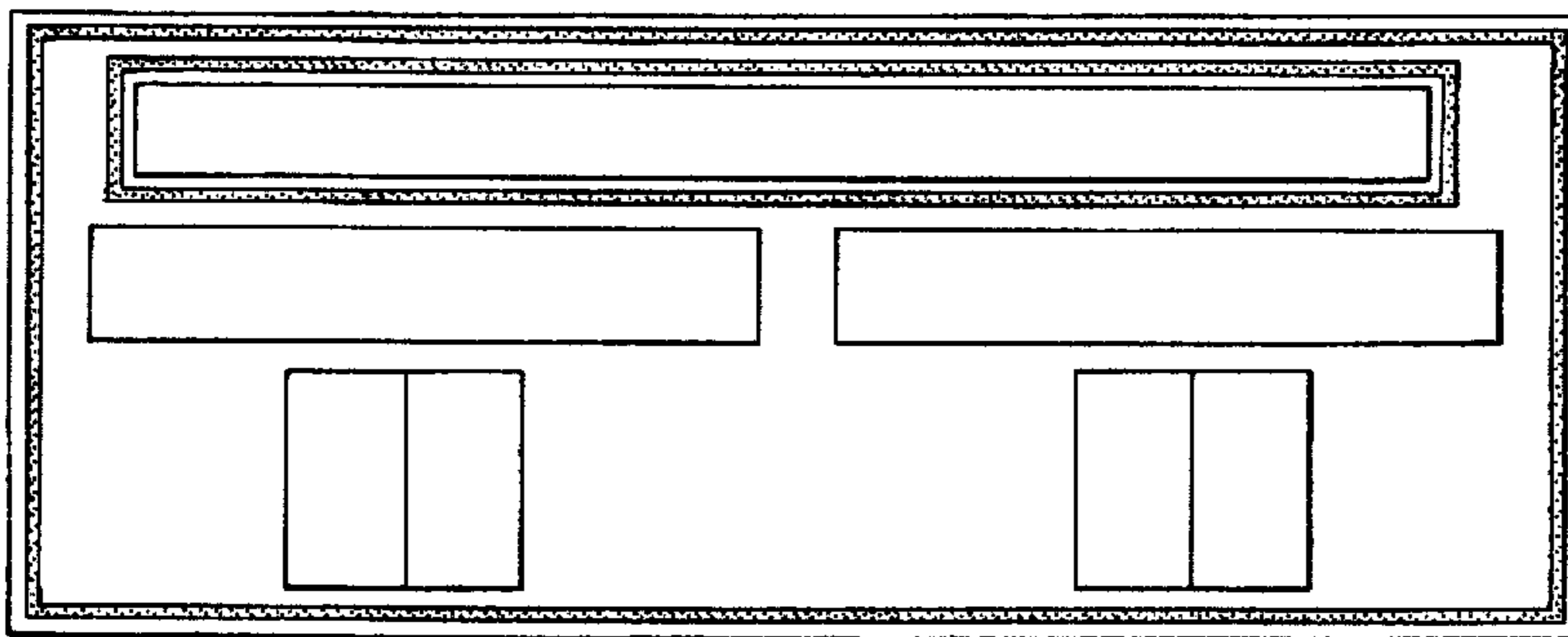


FIG. 3

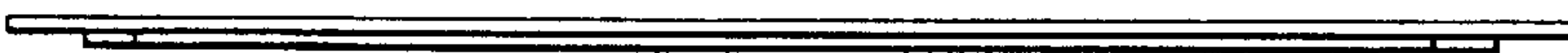


FIG. 4