



US00D388337S

United States Patent [19]
Yudovin

[11] **Patent Number: Des. 388,337**

[45] **Date of Patent: **Dec. 30, 1997**

[54] **GOLF WRIST WATCH**

Primary Examiner—Nelson C. Holtje
Attorney, Agent, or Firm—Jack C. Munbo

[76] **Inventor: Sanford S. Yudovin, 1770 Stuart St., Cambria, Calif. 93428**

[57] **CLAIM**

[**] **Term: 14 Years**

The ornamental design for a golf wrist watch, as shown and described.

[21] **Appl. No.: 66,147**

DESCRIPTION

[22] **Filed: Feb. 7, 1997**

FIG. 1 is a top elevational view of the golf wrist watch showing my new design;

[51] **LOC (6) Cl. 10-02**

FIG. 2 is a left side elevational view thereof taken along line 2—2 of FIG. 1;

[52] **U.S. Cl. D10/33; D10/126**

FIG. 3 is a right side elevational view thereof taken along line 3—3 of FIG. 1;

[58] **Field of Search D10/1-40, 122-132; 368/280-282, 276-277, 285**

FIG. 4 is a top elevational view thereof taken along line 4—4 of FIG. 1;

[56] **References Cited**

U.S. PATENT DOCUMENTS

- D. 297,313 8/1988 Claude D10/33
- D. 324,498 3/1992 Wang D10/6
- D. 361,525 8/1995 Yudovin D10/33

FIG. 5 is a bottom elevational view thereof taken along line 5—5 of FIG. 1; and,

OTHER PUBLICATIONS

Initials Catalog—Prior TO1992—p. 29, Golf Watch At Right, 1992.

FIG. 6 is a back elevational view thereof taken along line 6—6 of FIG. 4.

1 Claim, 1 Drawing Sheet

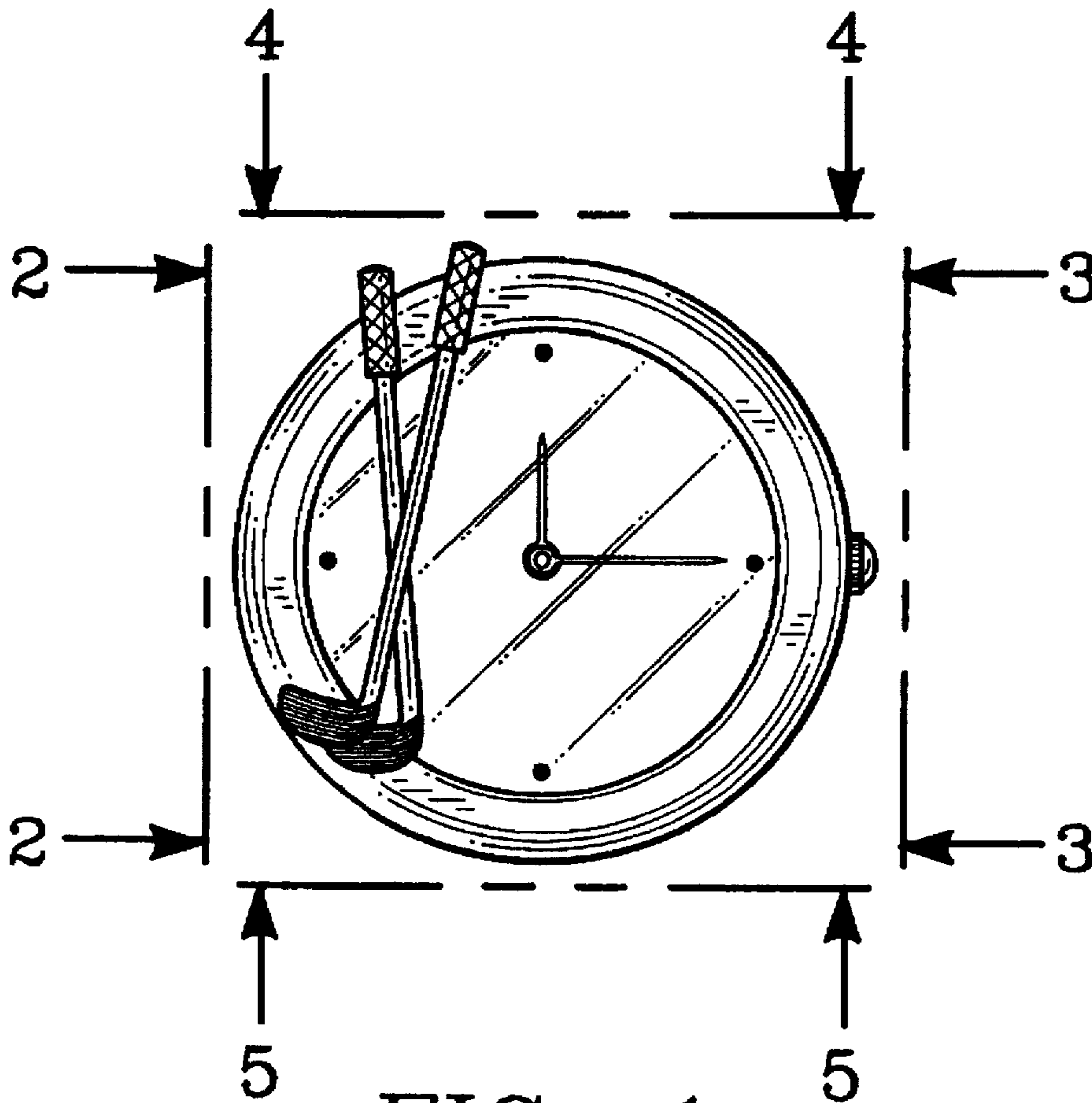


FIG. 1

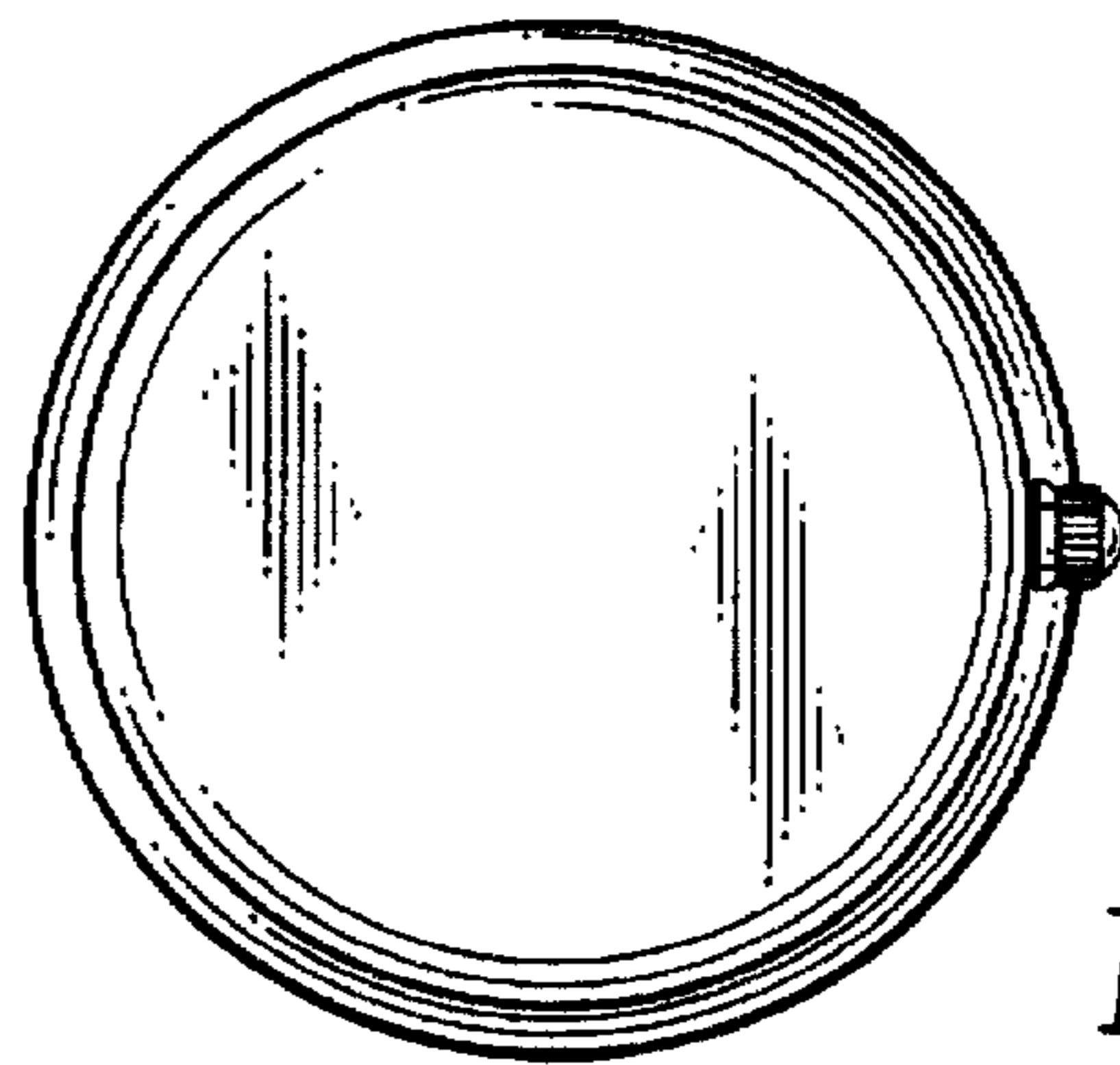
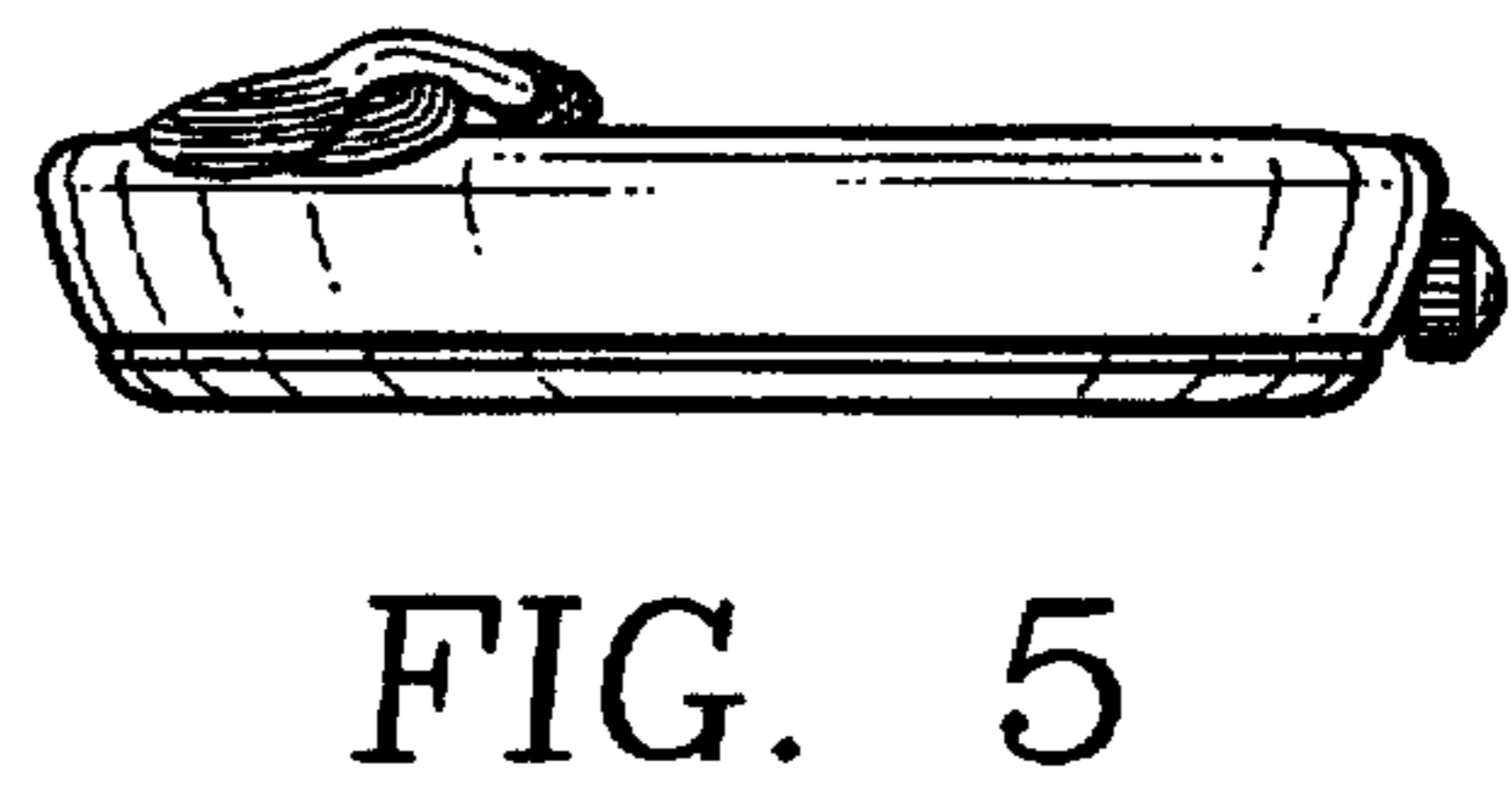
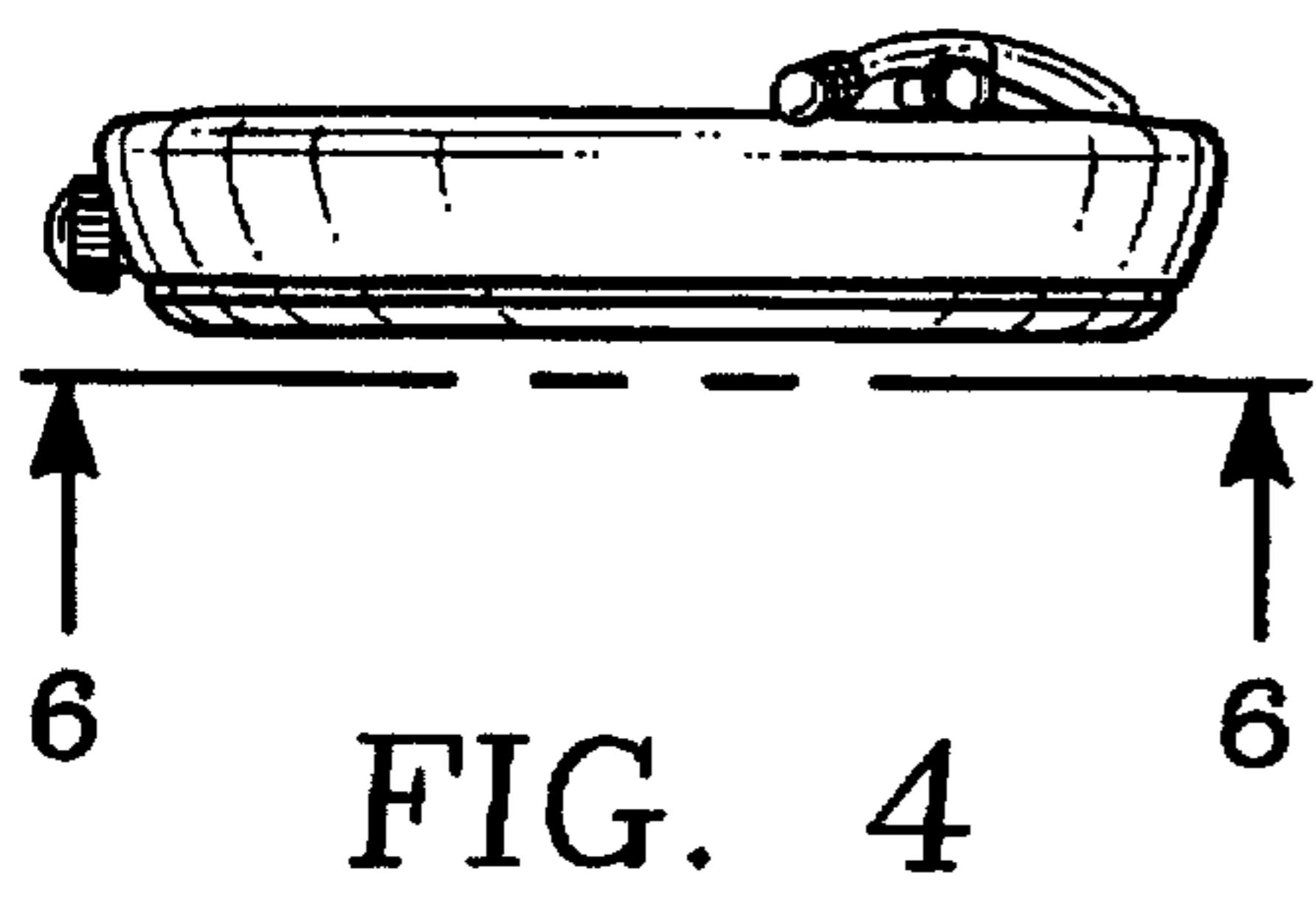
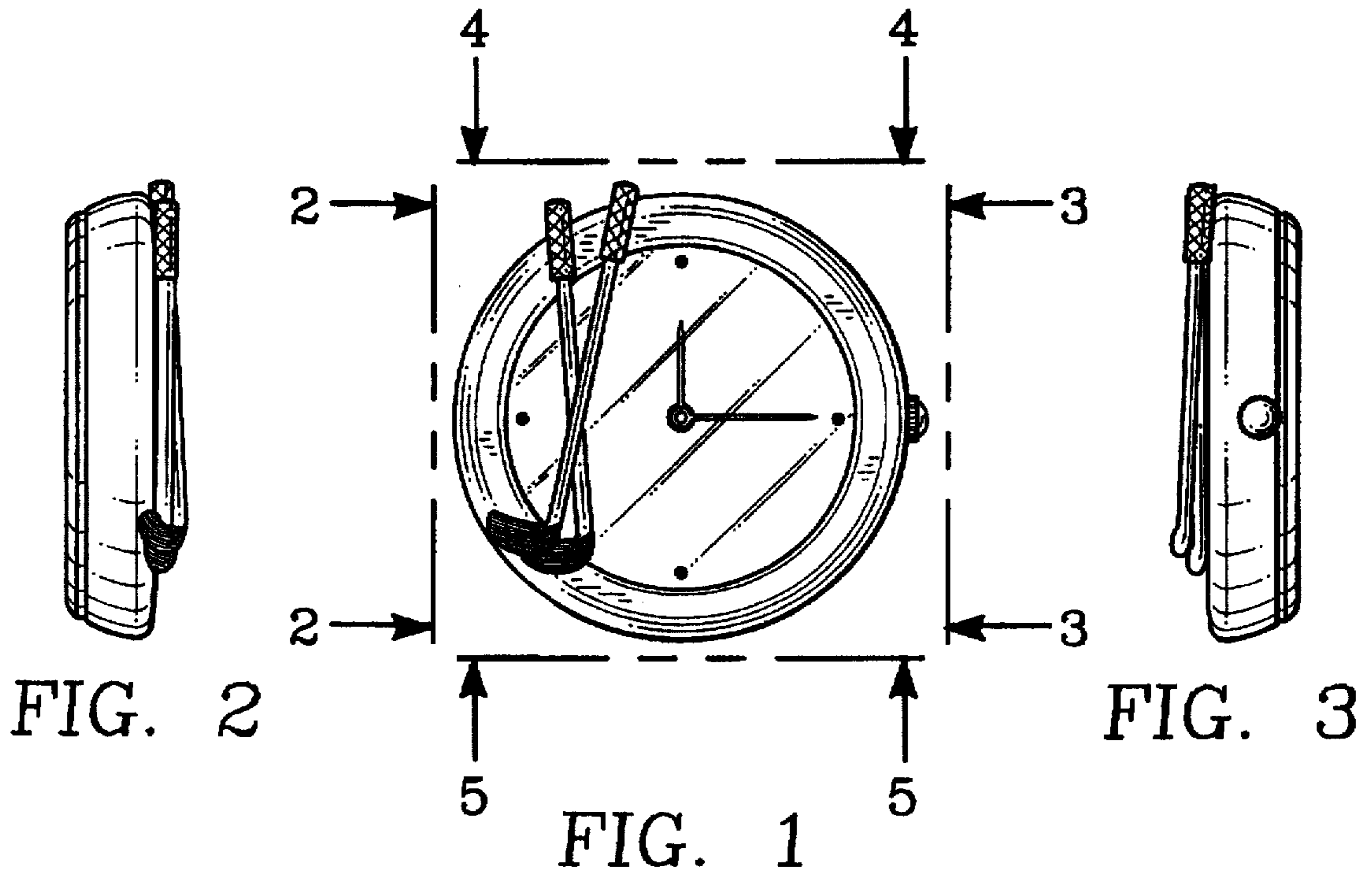


FIG. 6