



US00D388328S

United States Patent [19]

Harris

[11] Patent Number: **Des. 388,328**

[45] Date of Patent: ****Dec. 30, 1997**

[54] **TIERED OIL BOTTLE NECK STABILIZER**

[76] Inventor: **Virgil Harris, P.O. Box 124, Point Marion, Pa. 15474**

[**] Term: **14 Years**

[21] Appl. No.: **61,874**

[22] Filed: **Nov. 1, 1996**

[51] LOC (6) Cl. **09-07**

[52] U.S. Cl. **D9/447**

[58] Field of Search **D9/434-436, 439, D9/440, 447-450, 499; D7/700; 222/567, 568**

[56] **References Cited**

U.S. PATENT DOCUMENTS

- D. 216,386 12/1969 Suggs D9/434
- D. 265,586 7/1982 Sloan .
- D. 267,536 1/1983 Findlay .

- D. 274,208 6/1984 Hildenbrand .
- D. 279,068 6/1985 Burin .
- D. 352,428 11/1994 Waldmyer D7/700
- 3,448,896 6/1969 Kobayashi et al. 222/568
- 5,549,228 8/1996 Brown 222/402.1

Primary Examiner—James Gandy
Assistant Examiner—Cathron B. Matta
Attorney, Agent, or Firm—Kenneth P. McKay

[57] **CLAIM**

The ornamental design for a tiered oil bottle neck stabilizer, as shown and described.

DESCRIPTION

FIG. 1 is a perspective view of a tiered oil bottle neck stabilizer;
FIG. 2 is a side elevational view thereof;
FIG. 3 is a top plan view thereof; and,
FIG. 4 is a bottom plan view thereof.

1 Claim, 2 Drawing Sheets

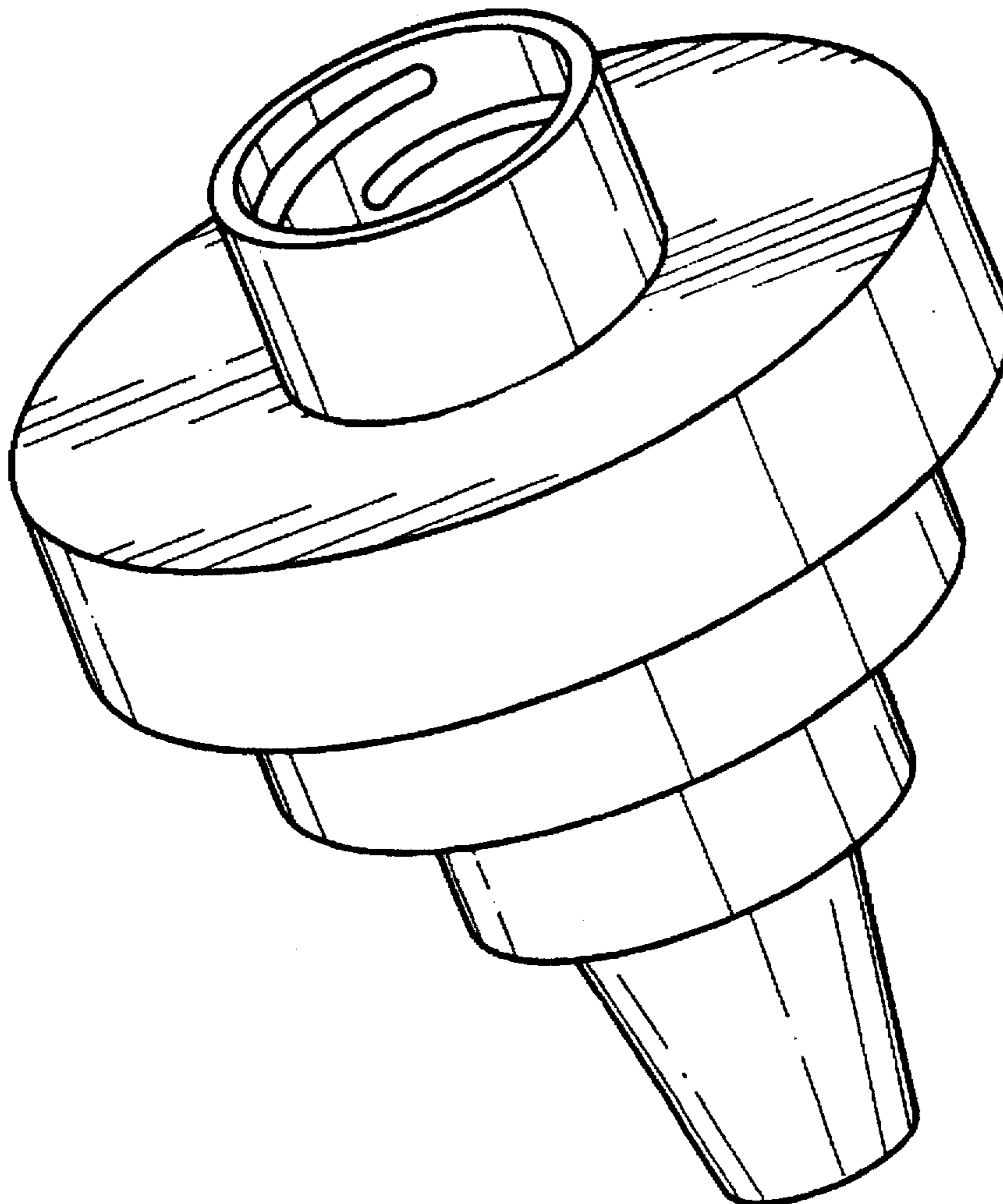


FIG. 1

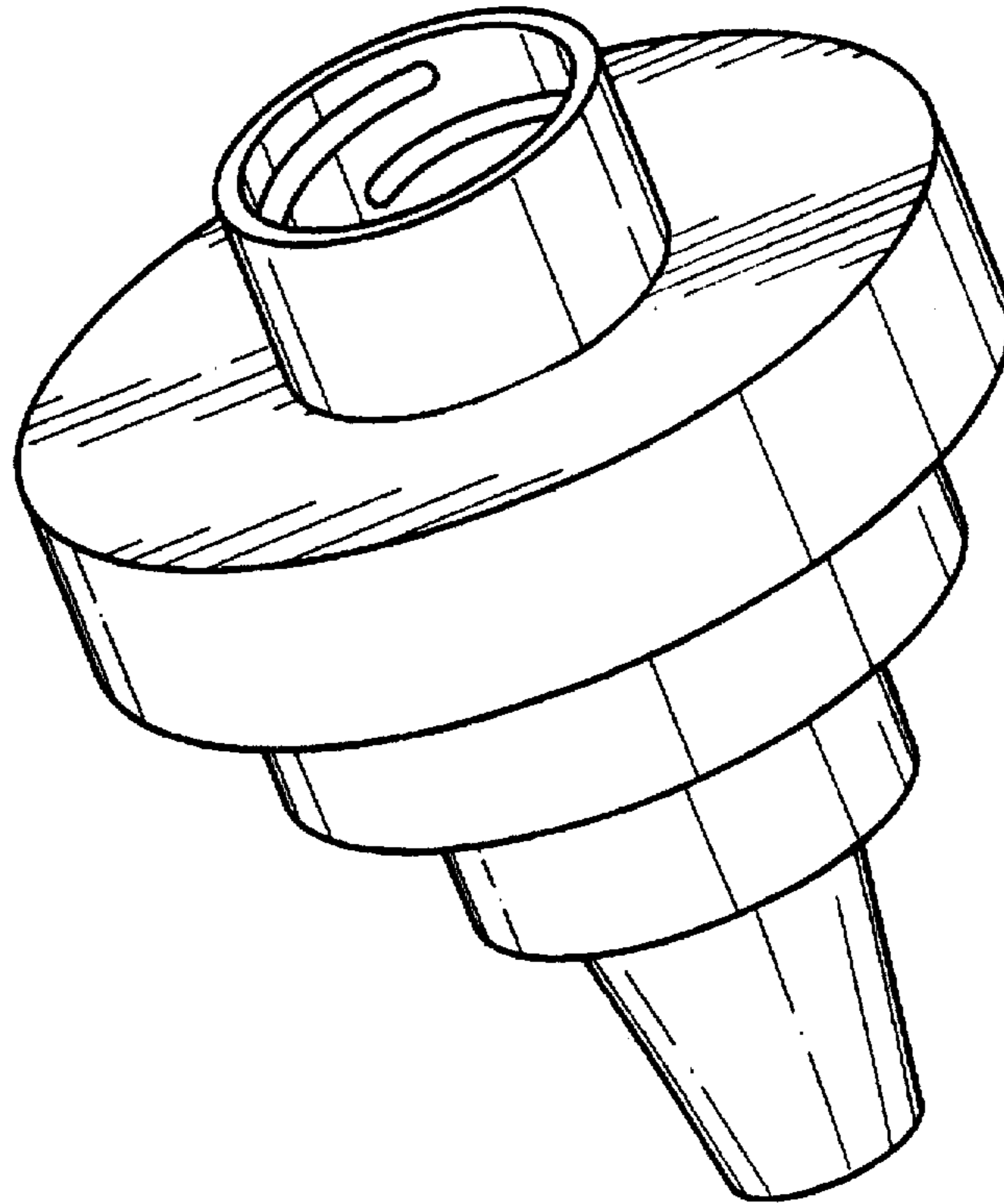


FIG. 2

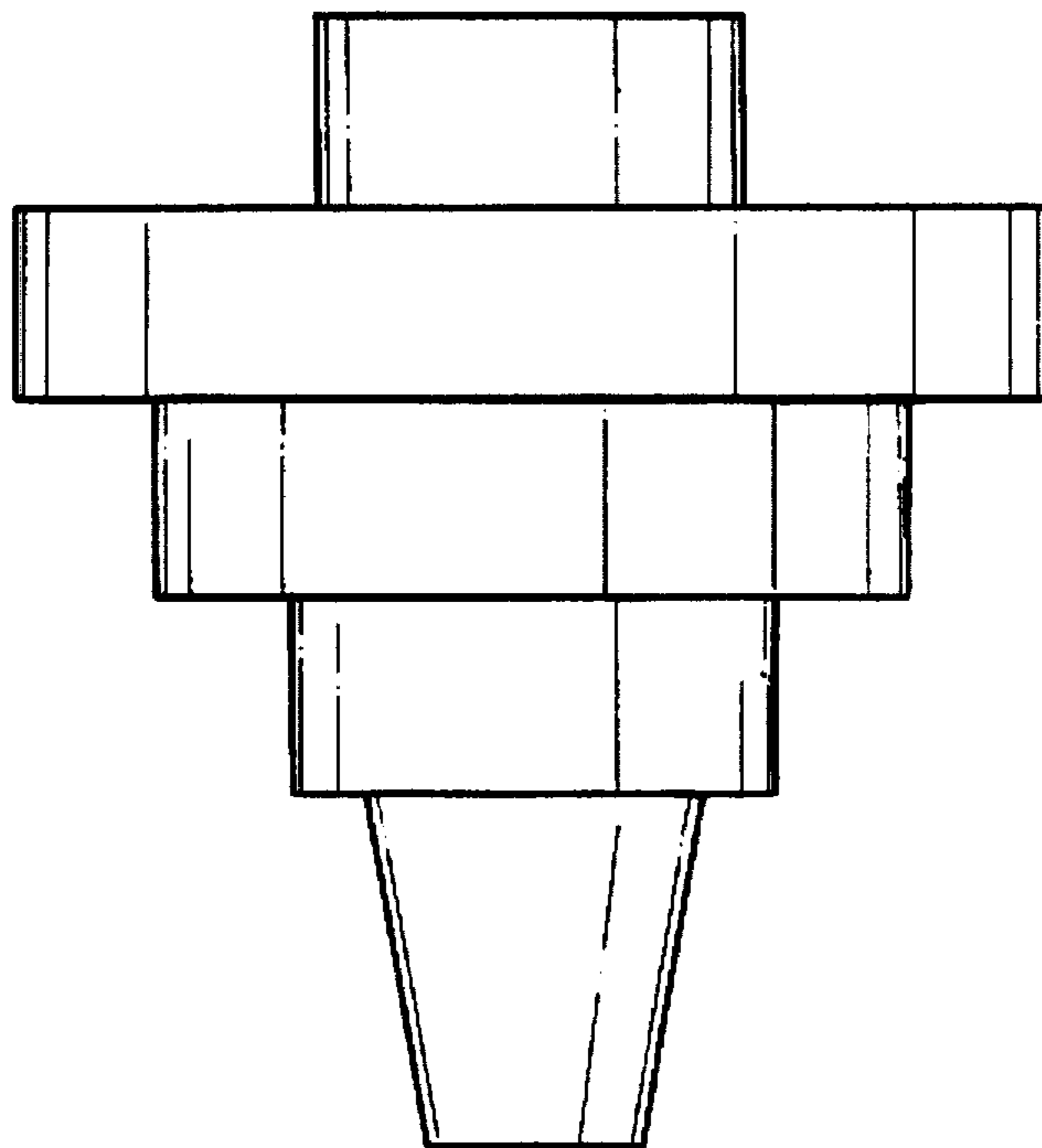


FIG. 3

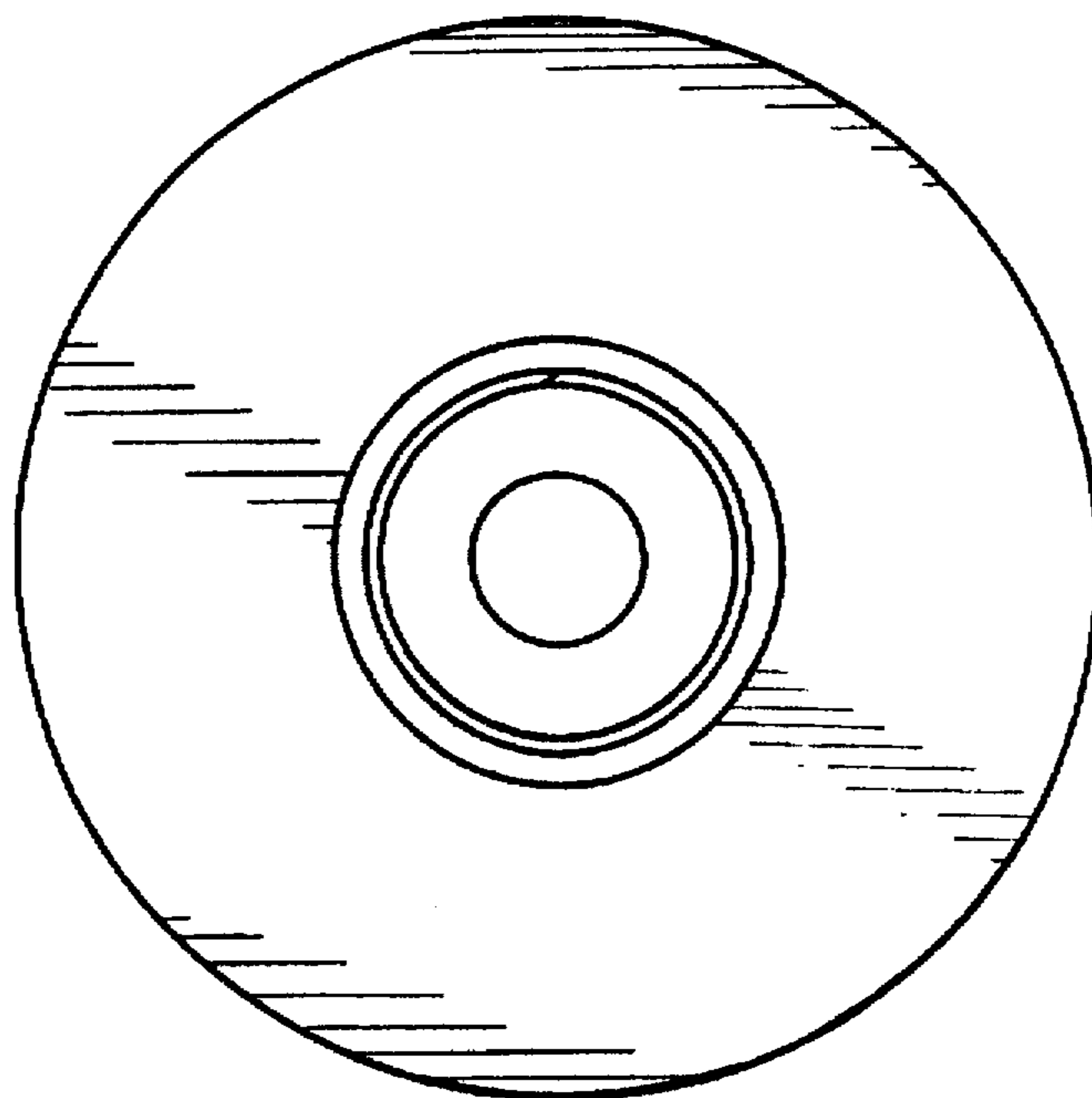


FIG. 4

