



US00D388326S

# United States Patent [19]

[11] Patent Number: **Des. 388,326**

Gurry et al.

[45] Date of Patent: **\*\*Dec. 30, 1997**

[54] **HAND-HELD MULTIPLE BAG CARRIER FOR SHOPPING BAGS HAVING HANDLES**

[76] Inventors: **Edward G. Gurry; Allison Brown,** both of 31 Royal Crest Dr. #7, Nashua, N.H. 03060

[\*\*] Term: **14 Years**

[21] Appl. No.: **61,385**

[22] Filed: **Oct. 23, 1996**

[51] LOC (6) Cl. .... **09-07**

[52] U.S. Cl. .... **D9/434**

[58] Field of Search ..... **D9/434, 499, 455; D3/328; D8/300; 294/137, 159, 163-166, 170, 171; 383/6, 13, 22, 23, 25**

[56] **References Cited**

**U.S. PATENT DOCUMENTS**

D. 314,150	1/1991	Preciutti	.....	D9/434	X
D. 359,235	6/1995	Kennedy et al.	.....	D9/434	
4,420,178	12/1983	Taylor et al.	.....	D8/300	X
4,772,059	9/1988	Parry et al.	.....	294/158	X

**OTHER PUBLICATIONS**

The "Bag Grabber" is believed to come from the Wright Gifts Catalog, dated Dec. 1996, from Carol Wright Gifts, Lincoln, Nebraska 68544.

"Handi-Grip Comes Through Whenever They're In A Pinch" is undated and was found by the Applicants after the filing date of the present application.

"A Nifty Handle To Haul Bags of Groceries" is again undated and was found by Applicants after the filing date of the present application.

*Primary Examiner*—James Gandy  
*Assistant Examiner*—Cathron B. Matta

[57] **CLAIM**

The ornamental design for a hand-held multiple bag carrier for shopping bags having handles, as shown and described.

**DESCRIPTION**

FIG. 1 is a front perspective view of the hand-held multiple bag carrier for shopping bags having handles in accordance with this invention;

FIG. 2 is a rear perspective view thereof;

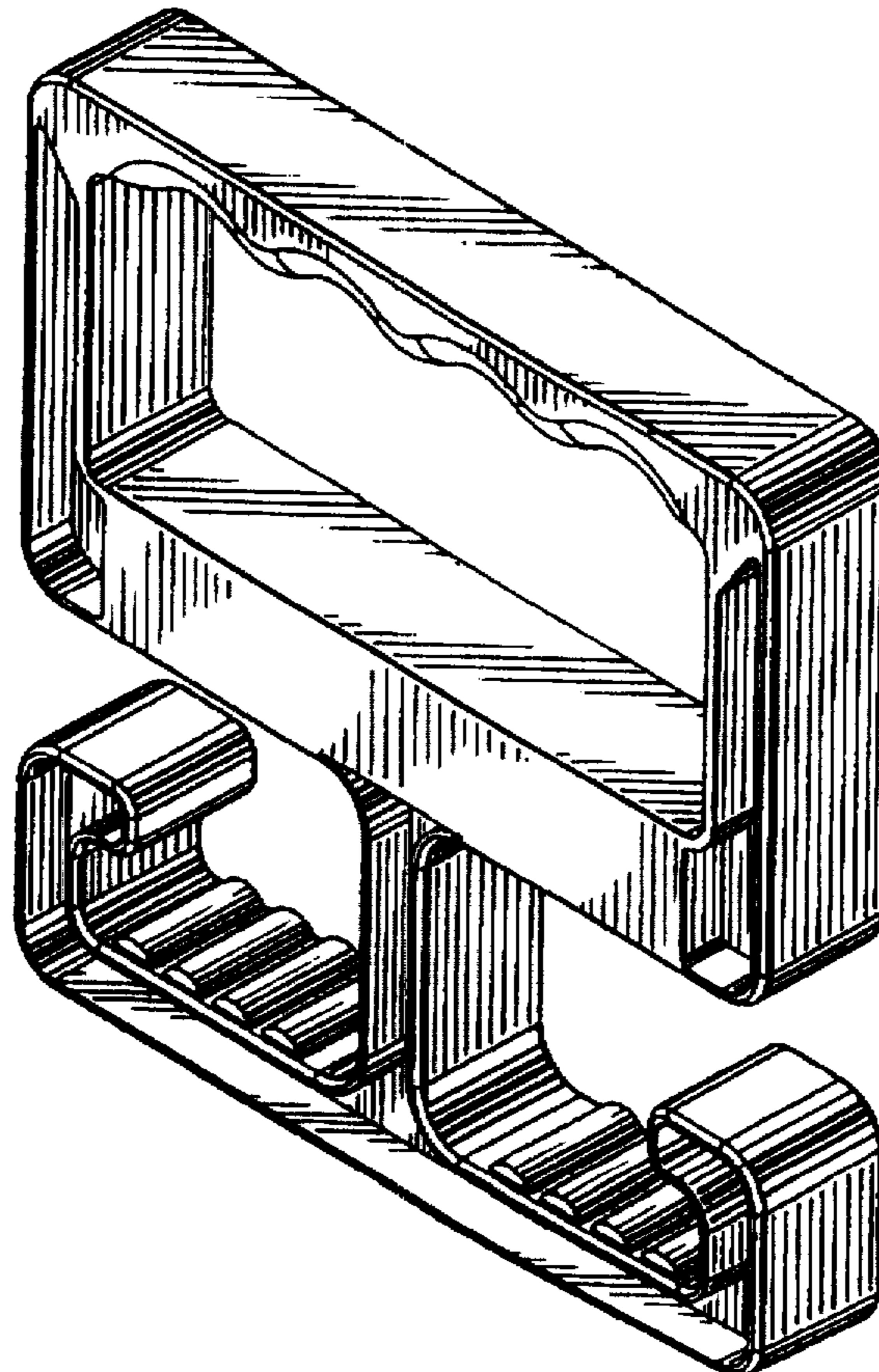
FIG. 3 is a front plan view thereof;

FIG. 4 is a rear plan view thereof;

FIG. 5 is a bottom view thereof and the top view is the same as the bottom view; and,

FIG. 6 is a right side view thereof with the left side thereof being the same.

**1 Claim, 5 Drawing Sheets**



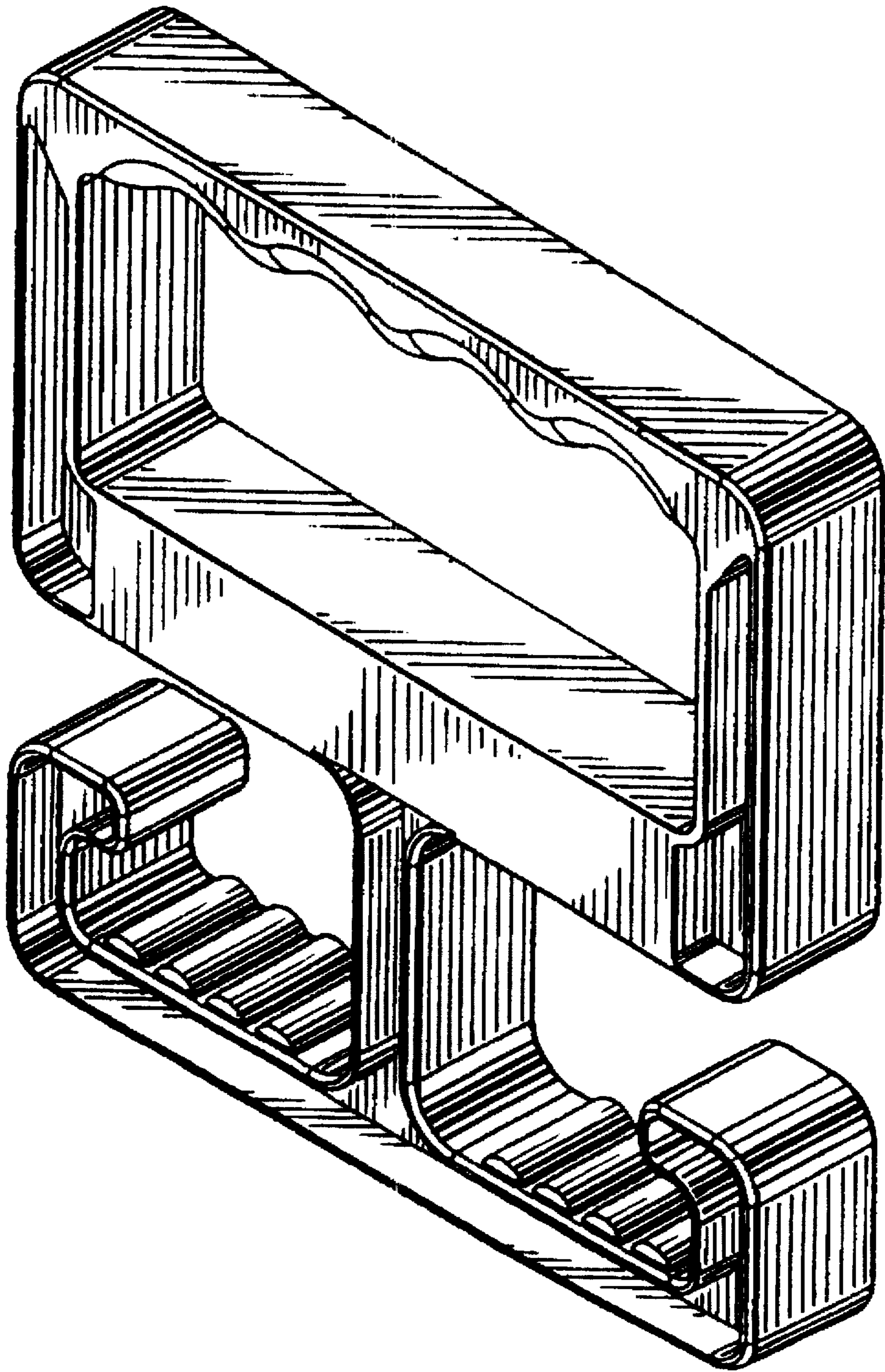


Fig. 1

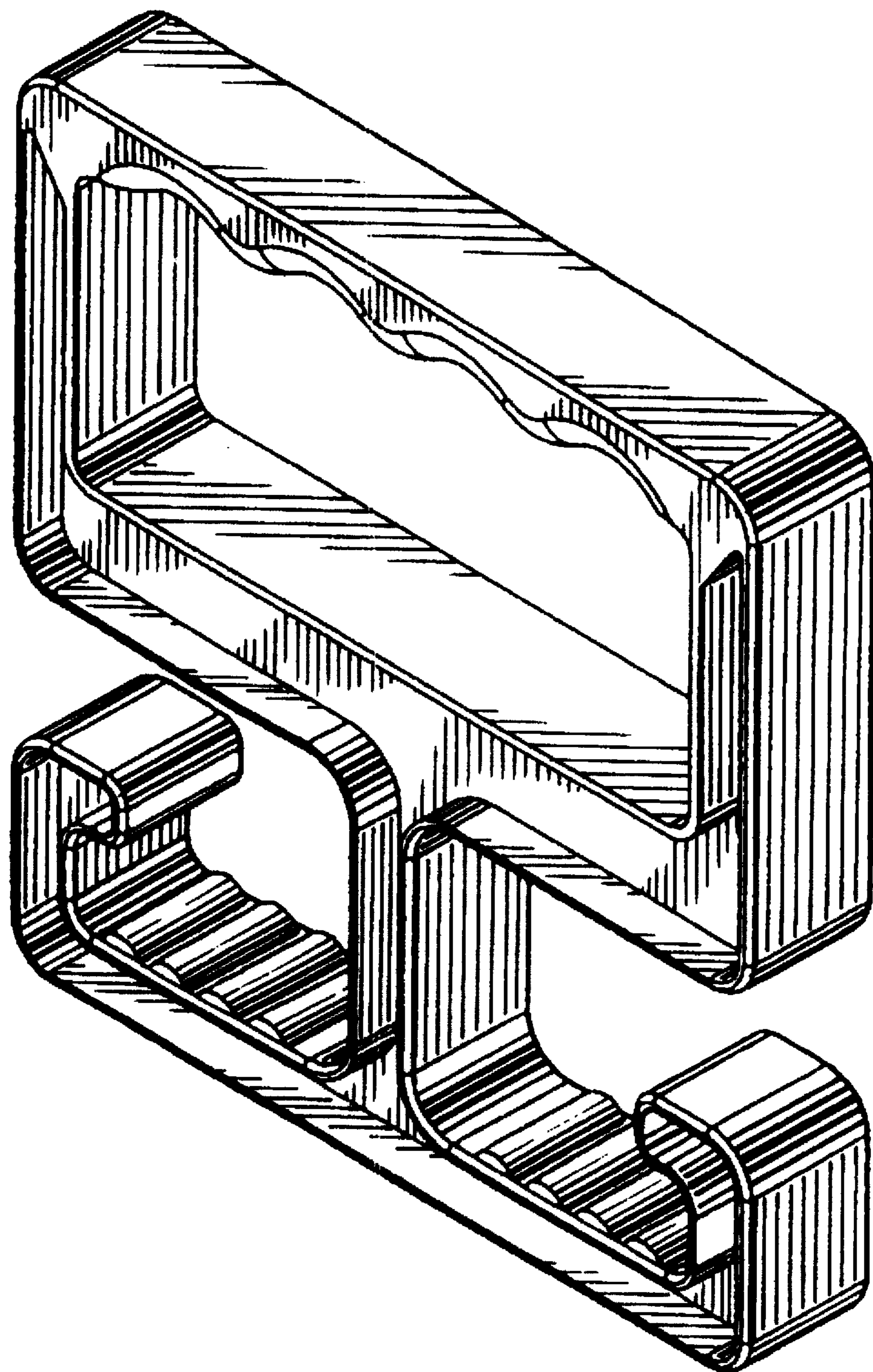


Fig. 2

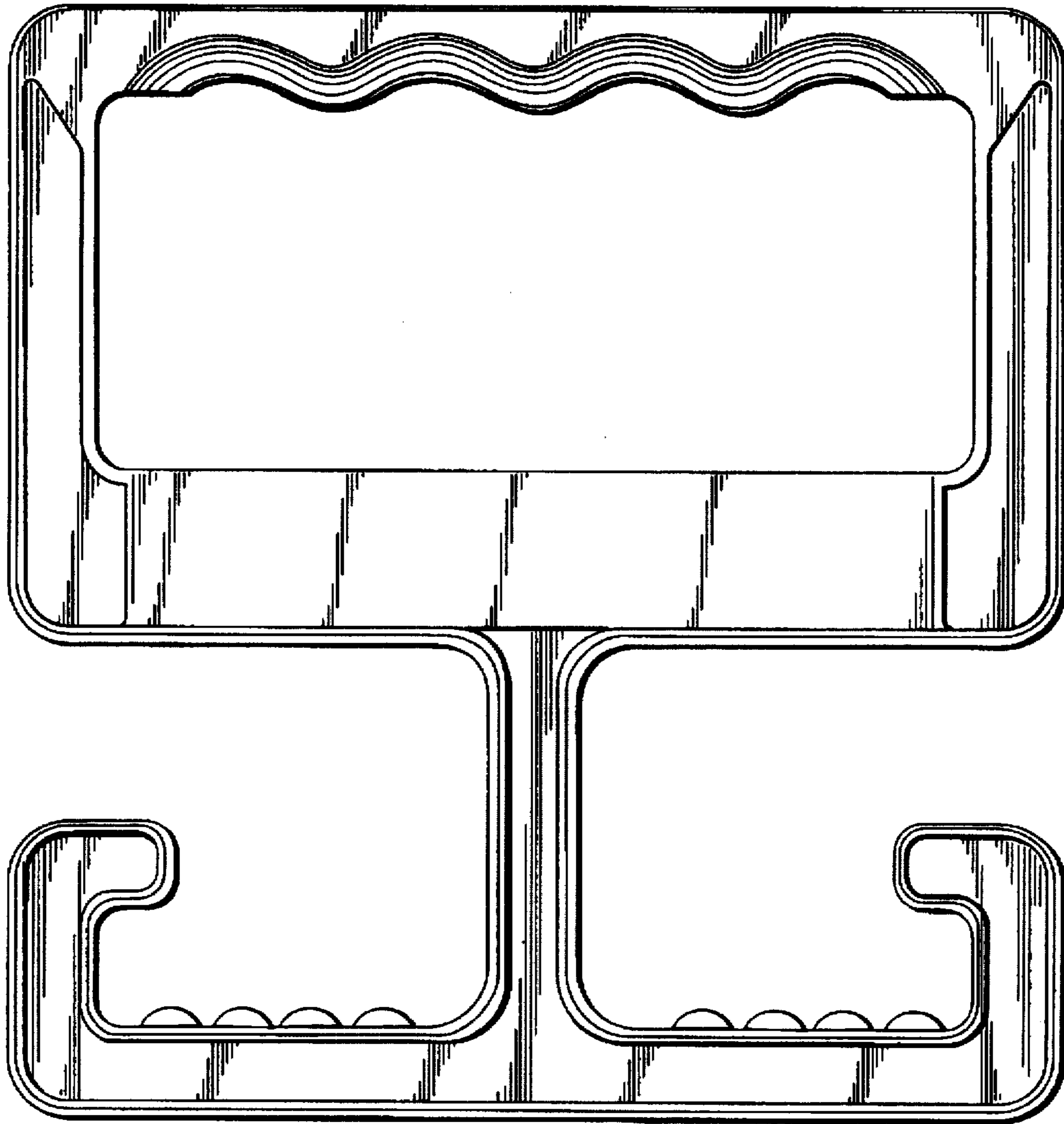


Fig. 3

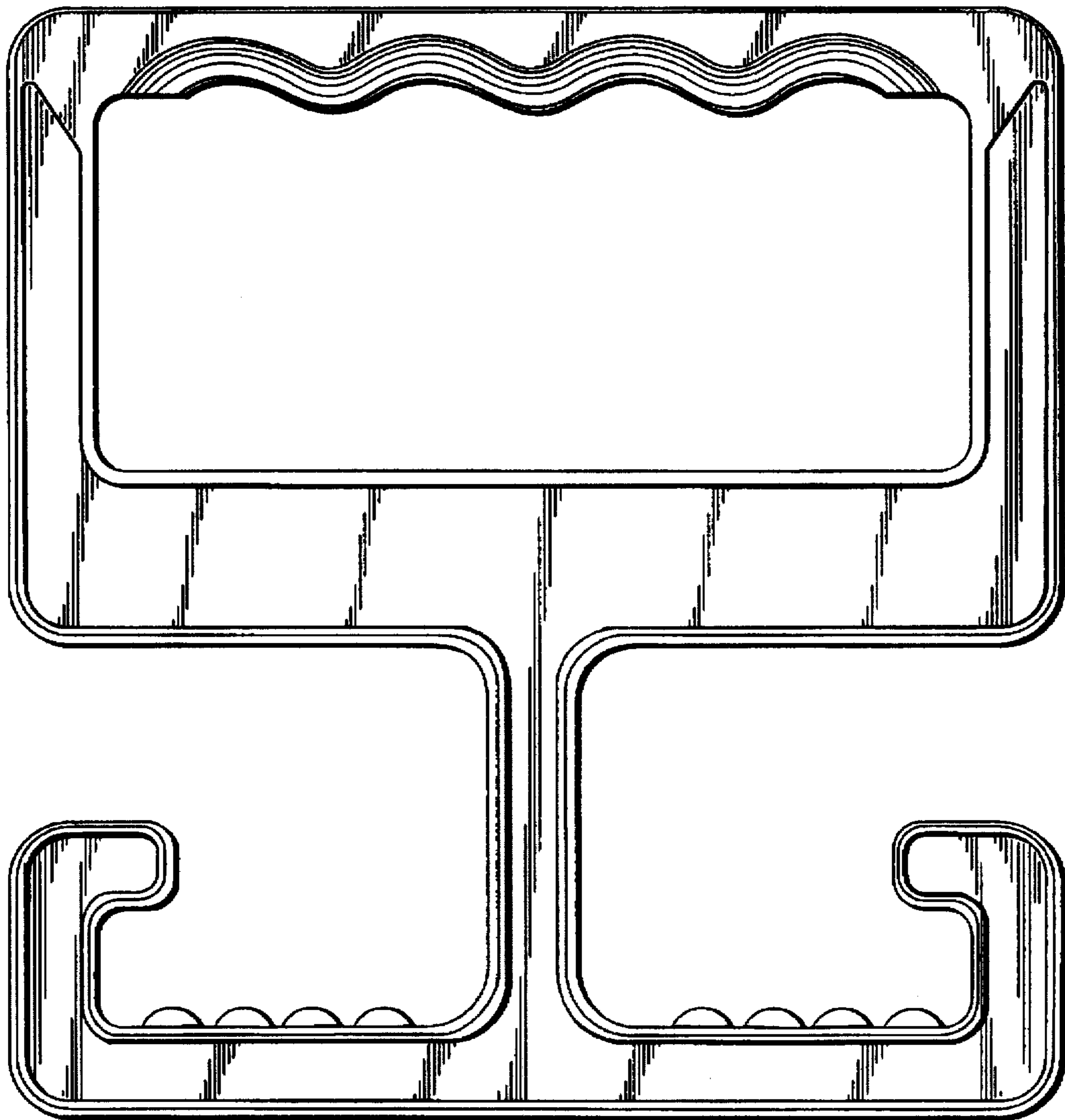


Fig. 4

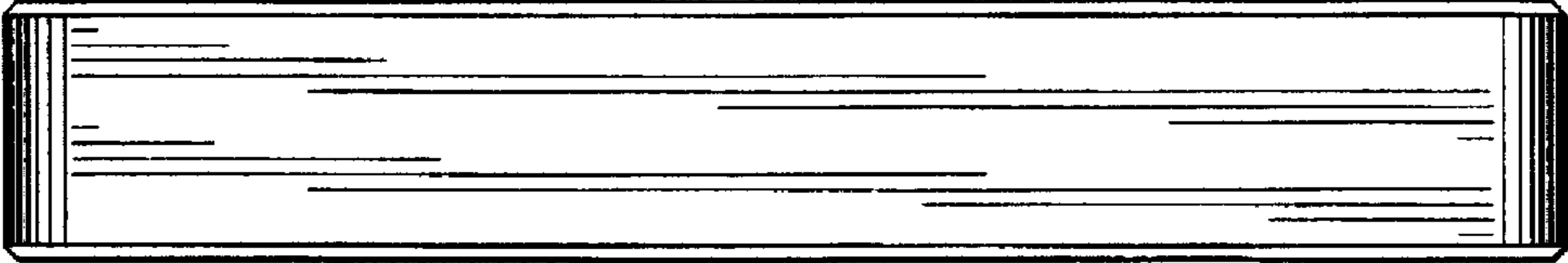


Fig. 5

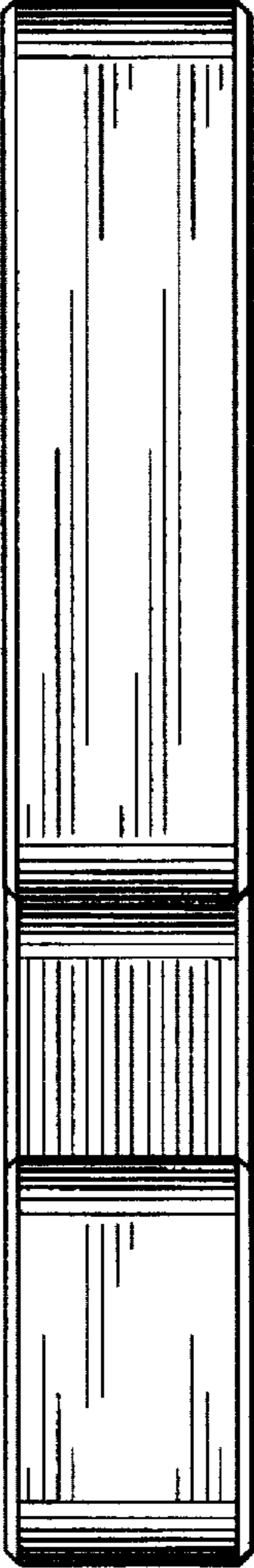


Fig. 6