



US00D388324S

# United States Patent [19] Bonnard

[11] Patent Number: **Des. 388,324**  
[45] Date of Patent: **\*\*Dec. 30, 1997**

[54] **PACKAGING FOR FOOD**  
[75] Inventor: **Anna Bonnard, Paris, France**  
[73] Assignee: **Bongrain S.A., Guyancourt, France**  
[\*\*] Term: **14 Years**

D. 314,145 1/1991 Niemetz ..... D9/418  
D. 349,050 7/1994 Krupa ..... D9/430 X  
D. 375,125 10/1996 Mallek et al. .... D21/5  
1,847,345 3/1932 Longstreet ..... 229/938 X  
3,503,759 3/1970 Wilton ..... 229/938 X  
4,943,065 7/1990 DeLapa ..... D21/5 X  
5,269,430 12/1993 Schlaupitz et al. .... 206/541 X

[21] Appl. No.: **63,028**  
[22] Filed: **Nov. 22, 1996**  
[30] **Foreign Application Priority Data**  
May 23, 1996 [FR] France ..... 963132

*Primary Examiner—Prabhakar G. Deshmukh*  
*Attorney, Agent, or Firm—Abelman, Frayne & Schwab*

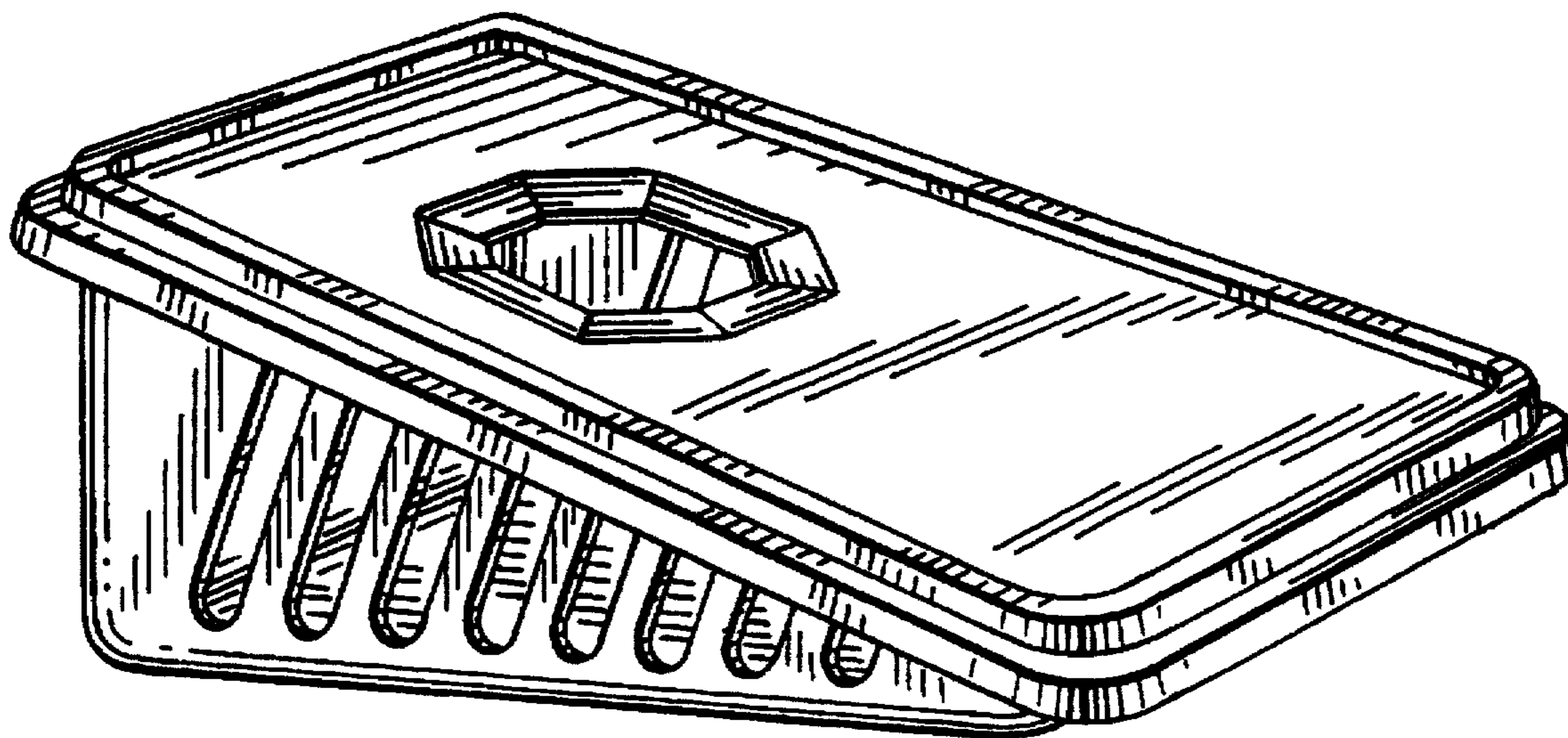
[51] **LOC (6) CL.** ..... **09-07**  
[52] **U.S. Cl.** ..... **D9/424; D9/425**  
[58] **Field of Search** ..... **D9/424, 425, 430,**  
**D9/431, 418, 415; D21/5; 229/406, 407,**  
**4.5, 5.5, 938, 902, 115, 116; 220/675, 669,**  
**556; 426/106, 129; D7/602, 629; 206/541**

[57] **CLAIM**  
The ornamental design for packaging for food, as shown and described.

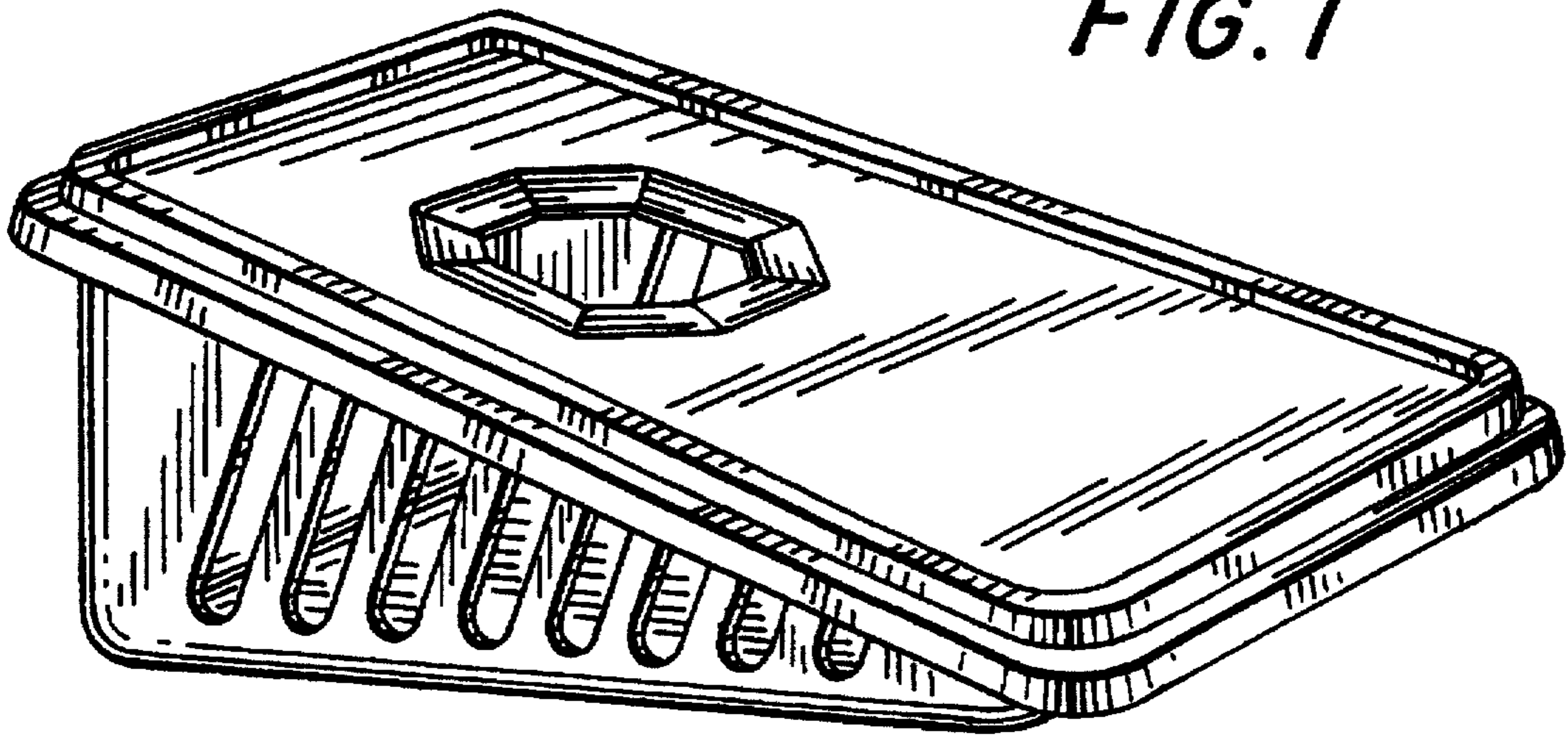
[56] **References Cited**  
**U.S. PATENT DOCUMENTS**  
D. 217,132 4/1970 Argenta ..... D9/417  
D. 290,232 6/1987 Holzkopf et al. .... D9/424

**DESCRIPTION**  
FIG. 1 is a perspective view of a packaging for food showing my new design;  
FIG. 2 is a front elevational view thereof;  
FIG. 3 is a top plan view thereof;  
FIG. 4 is a rear elevational view thereof;  
FIG. 5 is a right side elevational view thereof; the left side elevational view being a mirror image thereof; and,  
FIG. 6 is a bottom plan view thereof.

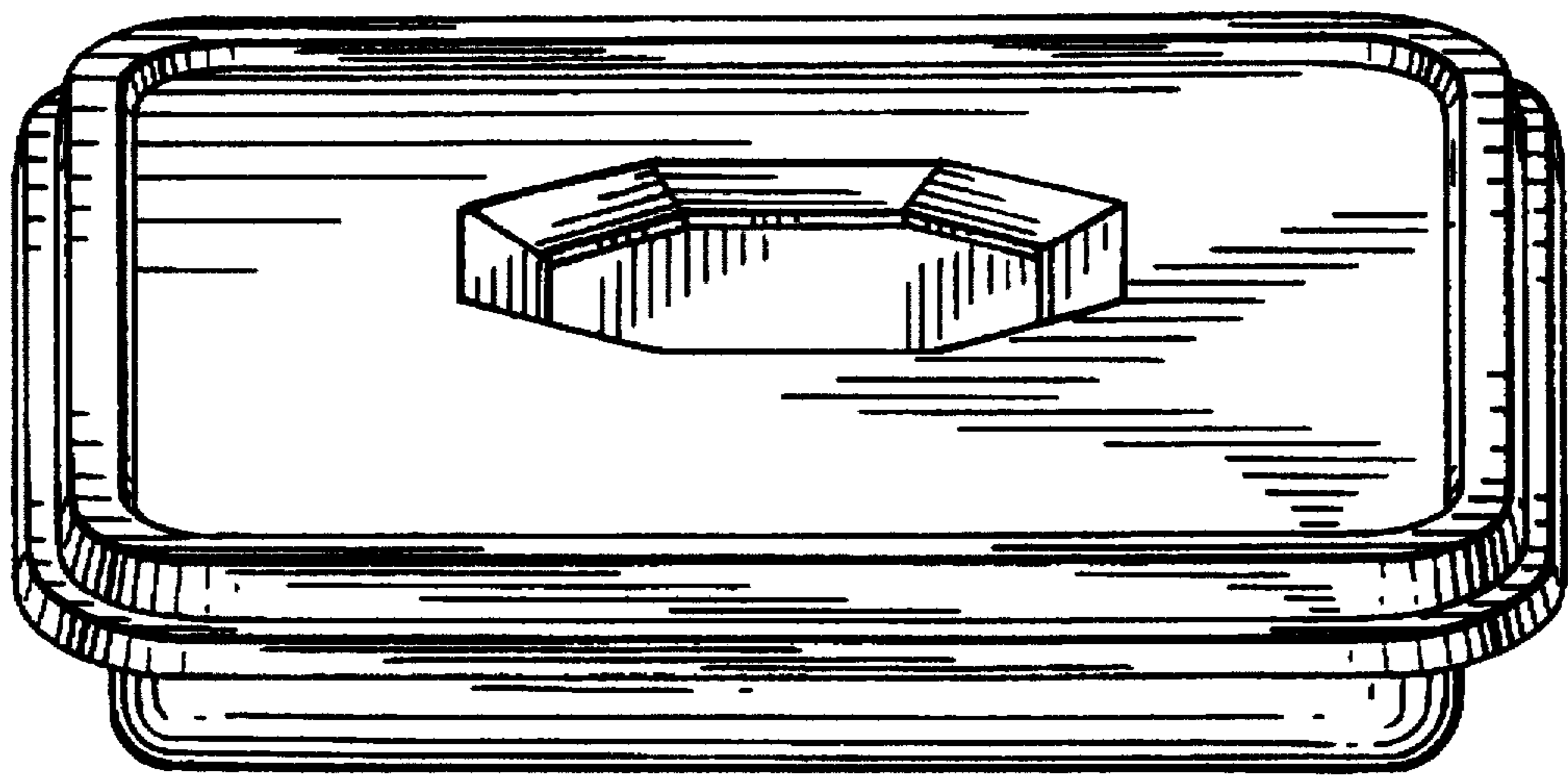
**1 Claim, 3 Drawing Sheets**



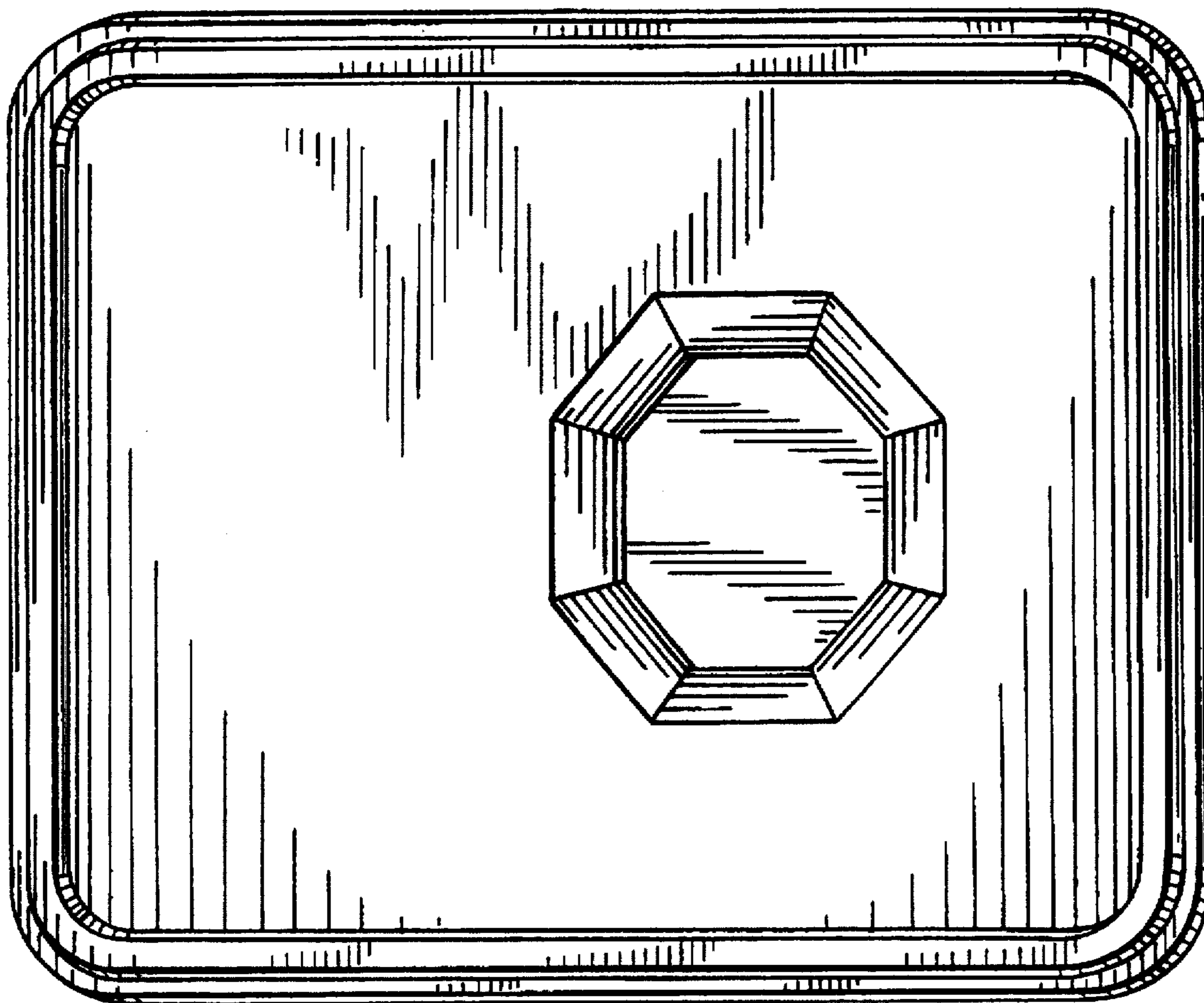
*FIG. 1*



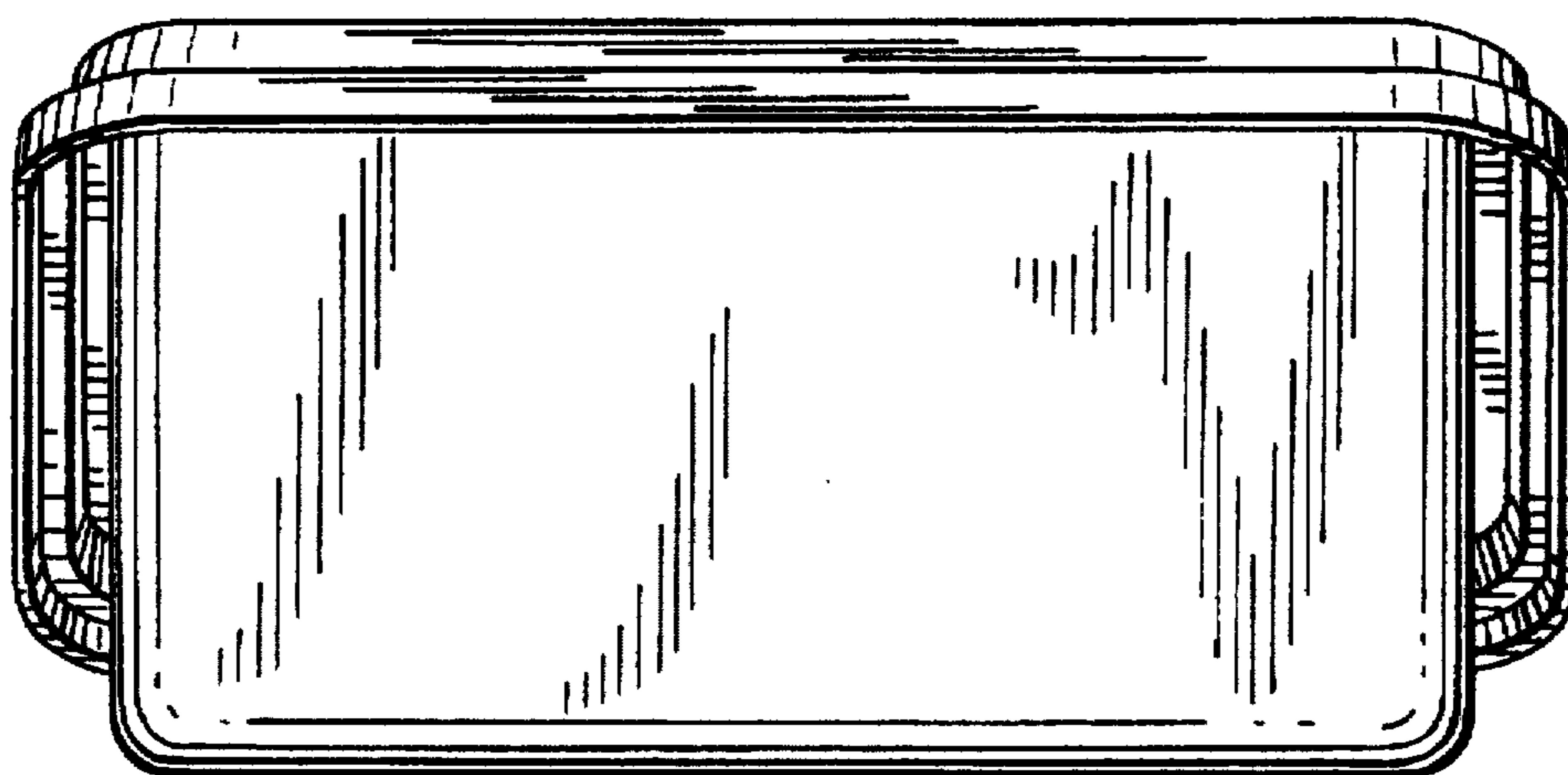
*FIG. 2*



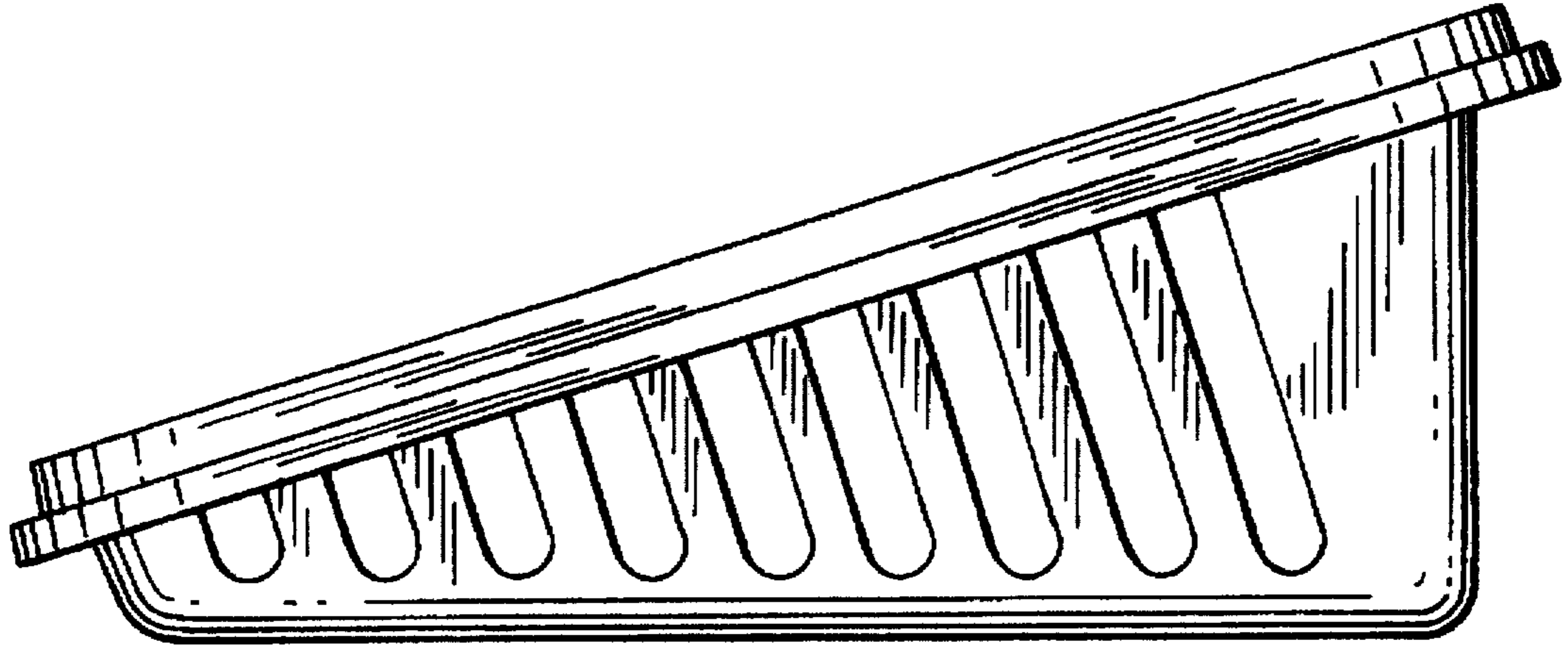
*FIG. 3*



*FIG. 4*



*FIG. 5*



*FIG. 6*

