



US00D388316S

United States Patent [19]

[11] Patent Number: **Des. 388,316**

McDonough et al.

[45] Date of Patent: ****Dec. 30, 1997**

[54] **PANEL FASTENER**

D. 357,176	4/1995	Ernest et al.	D8/387
3,126,935	3/1964	Tuozzo	411/352
4,387,497	6/1983	Gulistan	411/107
4,915,557	4/1990	Stafford	411/107
5,338,139	8/1994	Swanstrom	411/107

[75] Inventors: **William P. McDonough**, Birdsboro;
Harold D. Ross, Chalfont, both of Pa.

[73] Assignee: **Penn Engineering & Manufacturing Corp.**, Danboro, Pa.

Primary Examiner—B. J. Bullock
Attorney, Agent, or Firm—Gregory J. Gore

[**] Term: **14 Years**

[57] **CLAIM**

[21] Appl. No.: **49,258**

The ornamental design for a panel fastener, as shown and described.

[22] Filed: **Jan. 22, 1996**

DESCRIPTION

[51] LOC (6) CL **08-08**

[52] U.S. Cl. **D8/387; D8/310**

[58] Field of Search **D8/387, 310; 411/347, 411/352, 353, 108, 107**

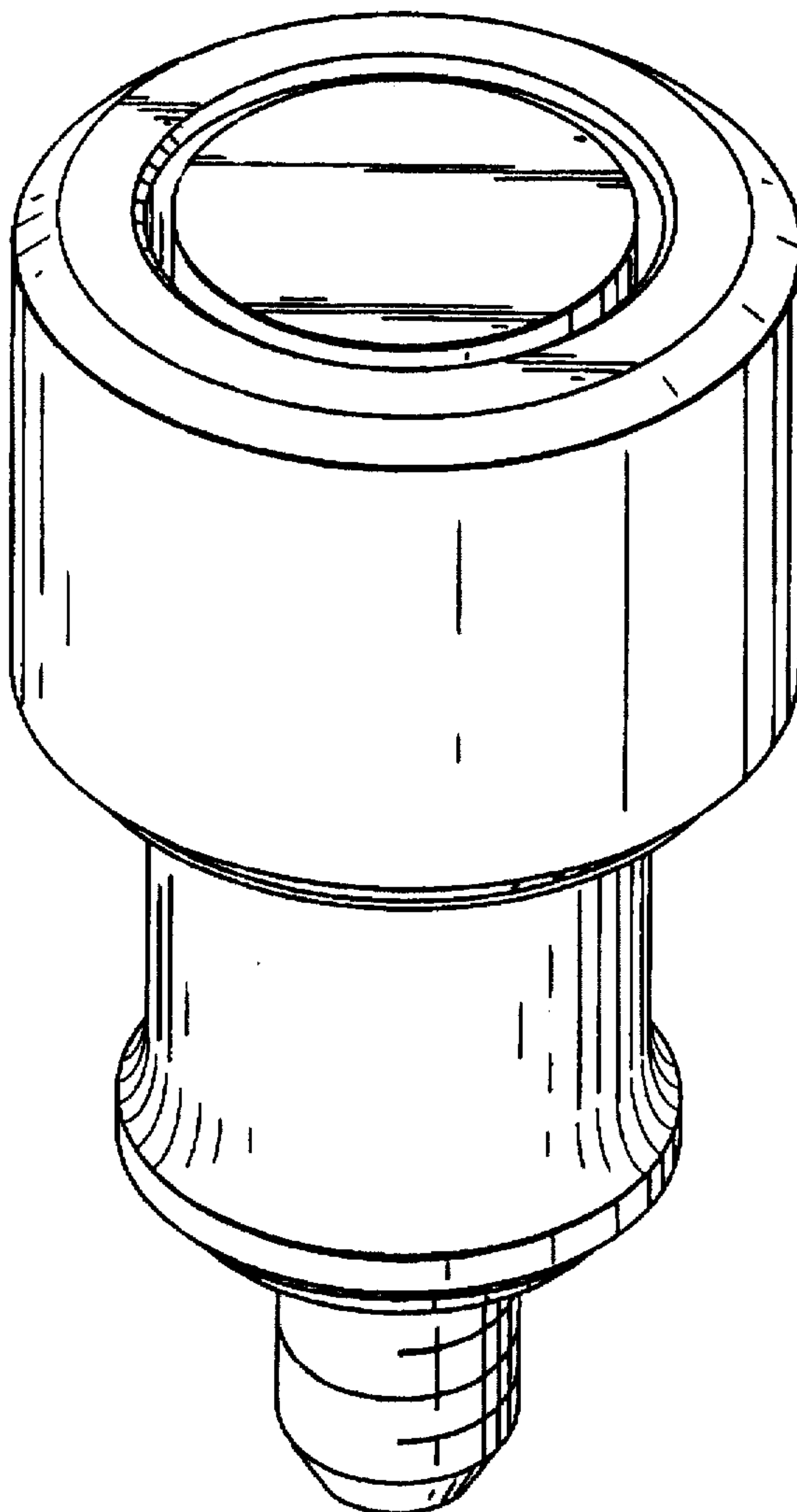
FIG. 1 is a top front isometric view of a fastener showing our new design;
FIG. 2 is a bottom front isometric view of FIG. 1;
FIG. 3 is a side elevational view of FIG. 1;
FIG. 4 is a top plan view of FIG. 1; and,
FIG. 5 is a bottom plan view of FIG. 1.

[56] **References Cited**

U.S. PATENT DOCUMENTS

D. 283,591 4/1986 Swanstrom D8/387

1 Claim, 2 Drawing Sheets



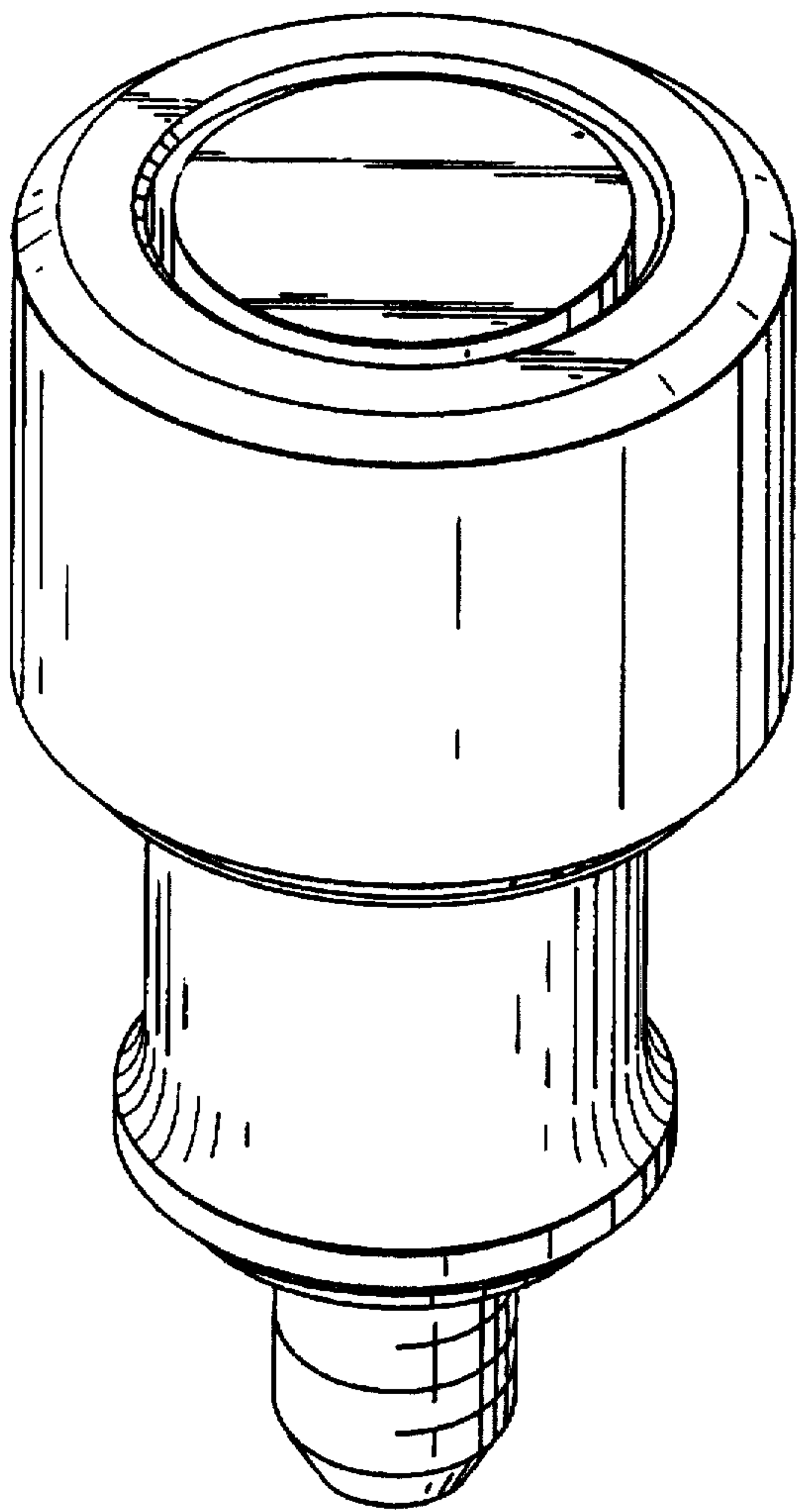


FIG. 1

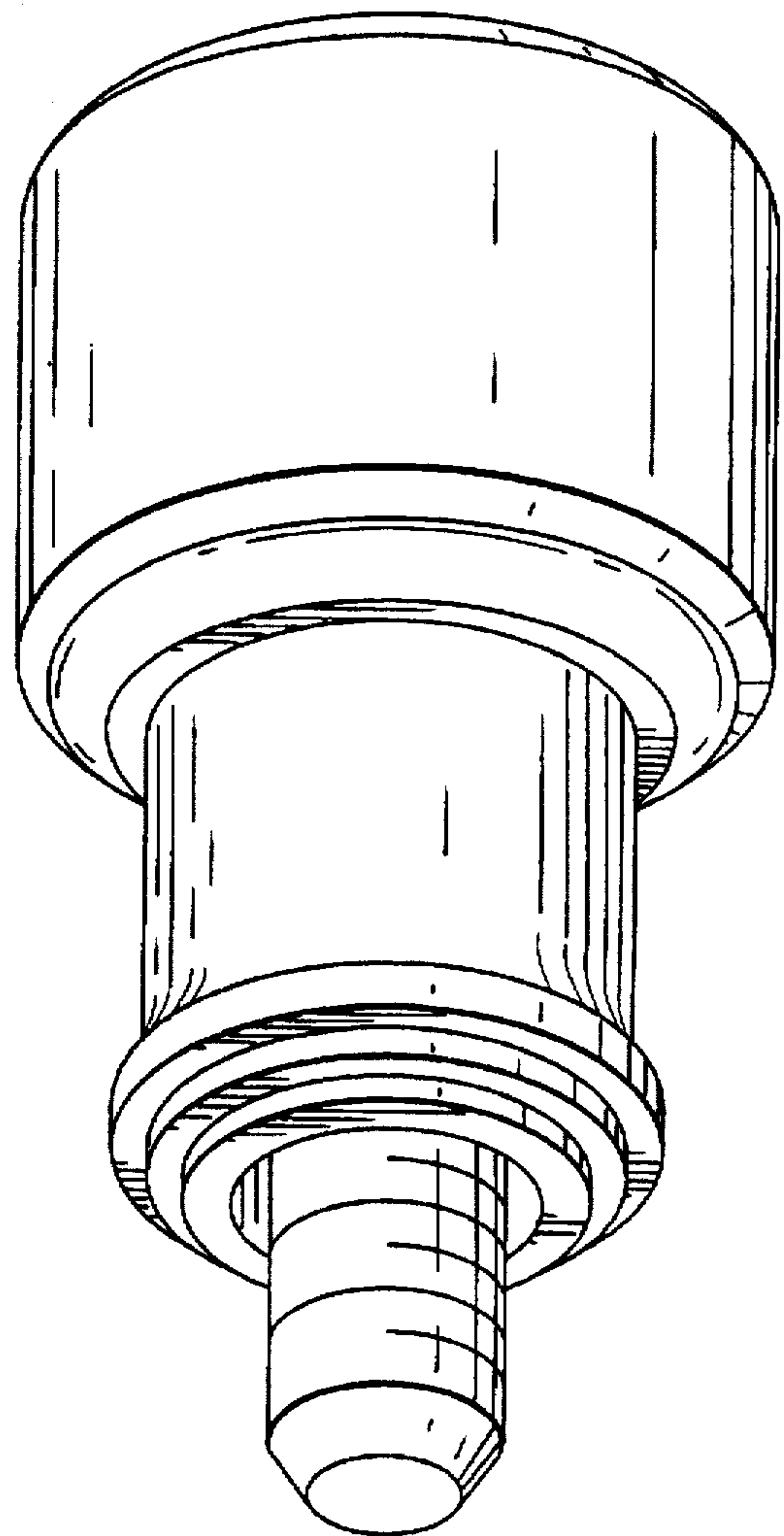


FIG. 2

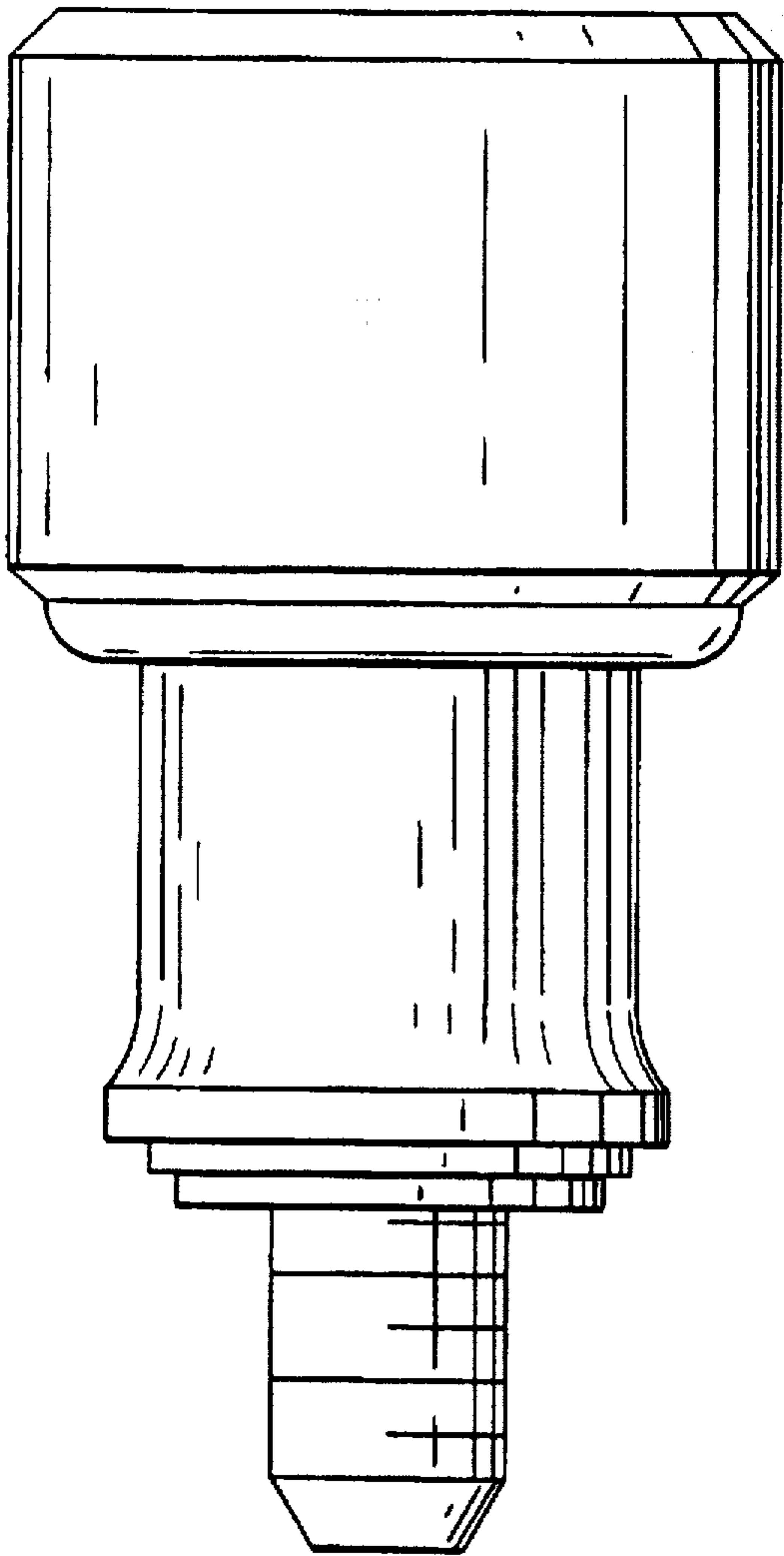


FIG. 3

FIG. 4

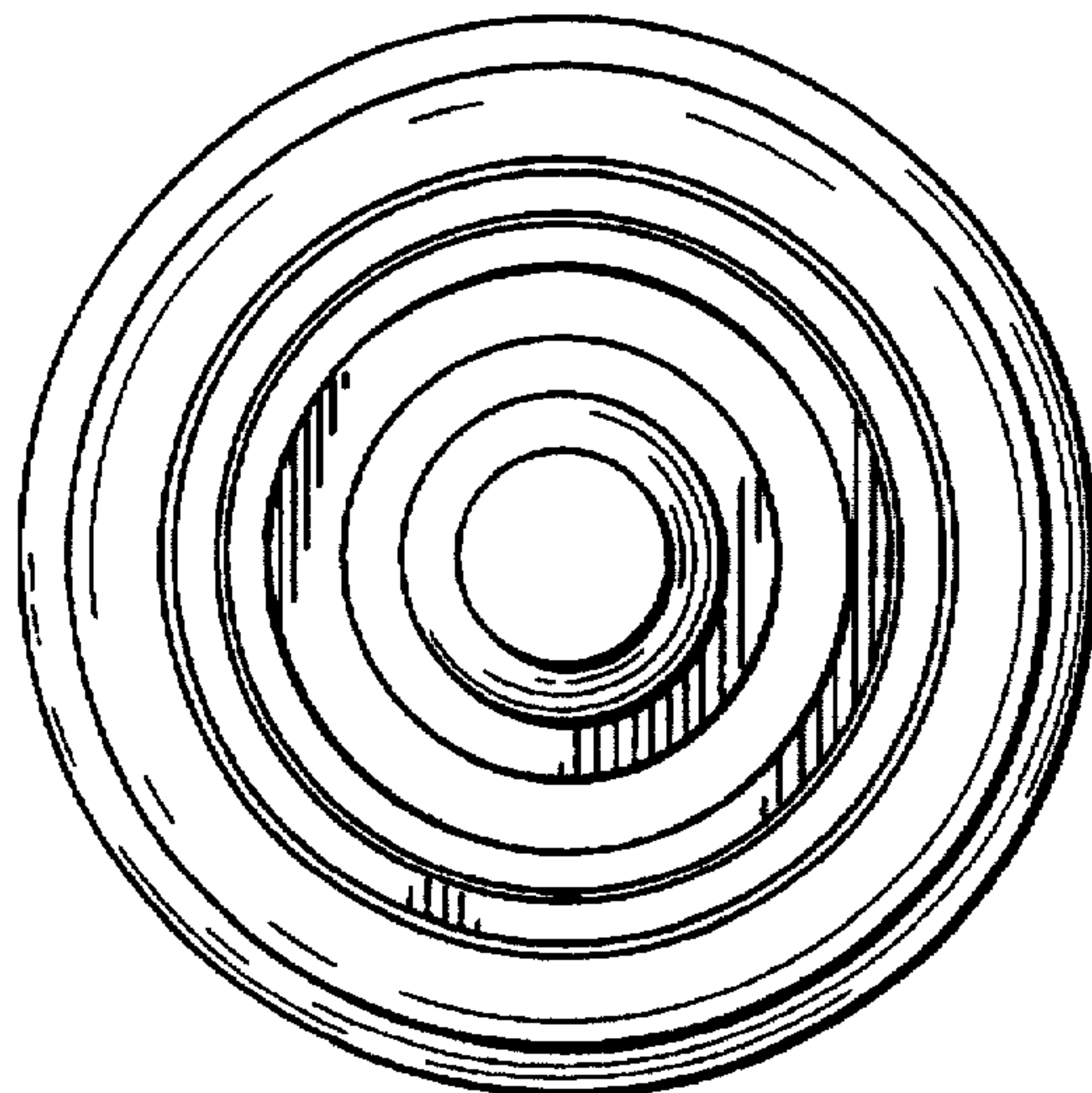
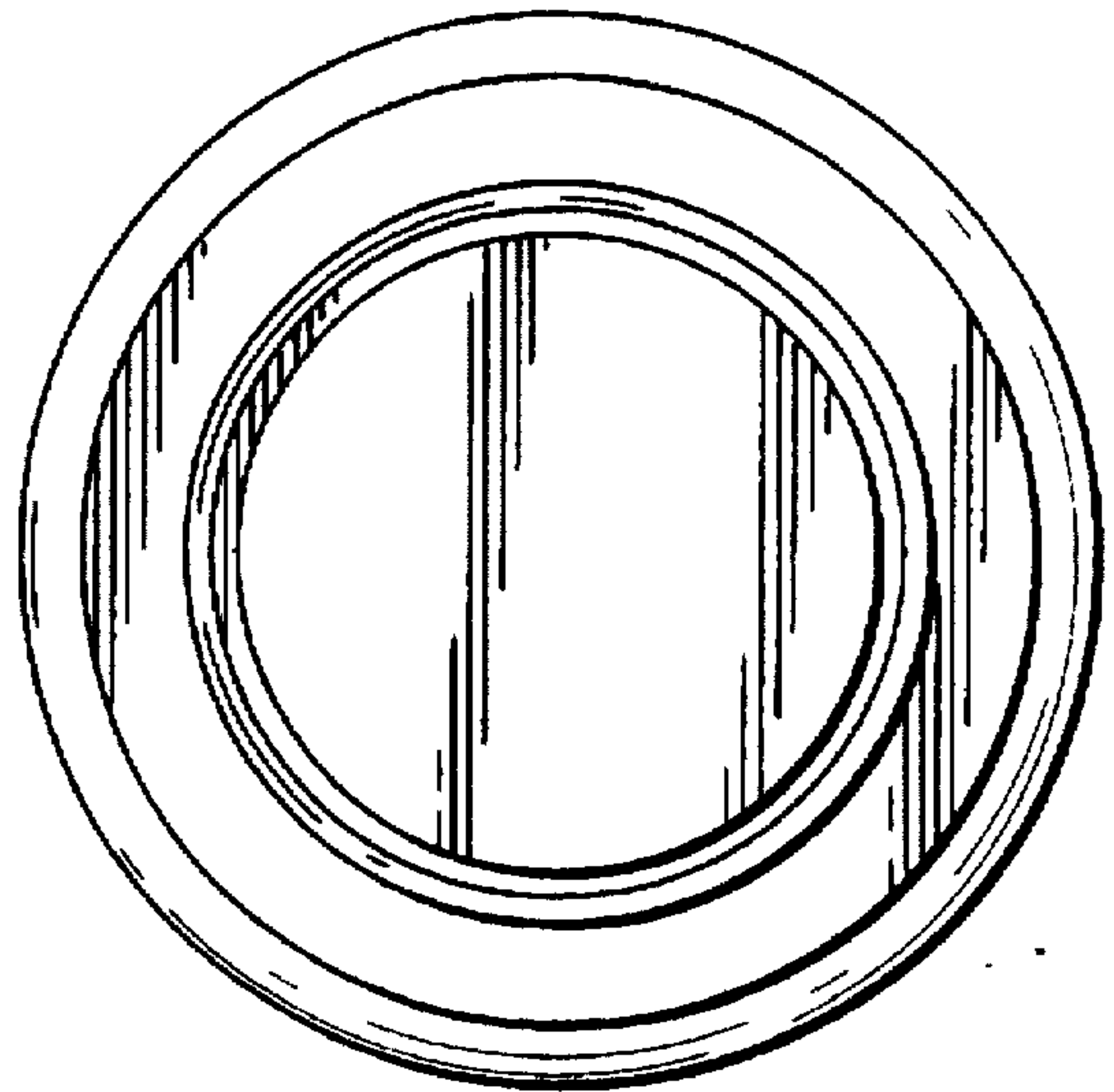


FIG. 5