



US00D388313S

United States Patent [19]

[11] Patent Number: **Des. 388,313**

Benner et al.

[45] Date of Patent: ****Dec. 30, 1997**

[54] OFFICE PARTITION SUPPORT

[75] Inventors: **Douglas D. Benner**, Grand Rapids;
Joylene M. Battey, Kentwood, both of Mich.

[73] Assignee: **Steelcase, Inc.**, Grand Rapids, Mich.

[**] Term: **14 Years**

[21] Appl. No.: **55,583**

[22] Filed: **Jun. 7, 1996**

[51] LOC (6) Cl. **08-05**

[52] U.S. Cl. **D8/354**

[58] Field of Search **D8/349, 354; 248/300, 248/200, 200.1; 52/714, 127.8**

[56] References Cited

U.S. PATENT DOCUMENTS

D. 482,768 5/1989 Allan 52/714

OTHER PUBLICATIONS

American International Marine Corp., p. 67, stemhead plate, item R241 in middle of page, Jan. 1980.

Primary Examiner—Holly Baynham
Attorney, Agent, or Firm—Price, Heneveld, Cooper, DeWitt & Litton

[57] CLAIM

The ornamental design for an office partition support, as shown and described.

DESCRIPTION

FIG. 1 is a perspective view of an office partition support, showing our new design, with the broken-line showing of a partition segment being for illustrative purposes only and forming no part of the claimed design;

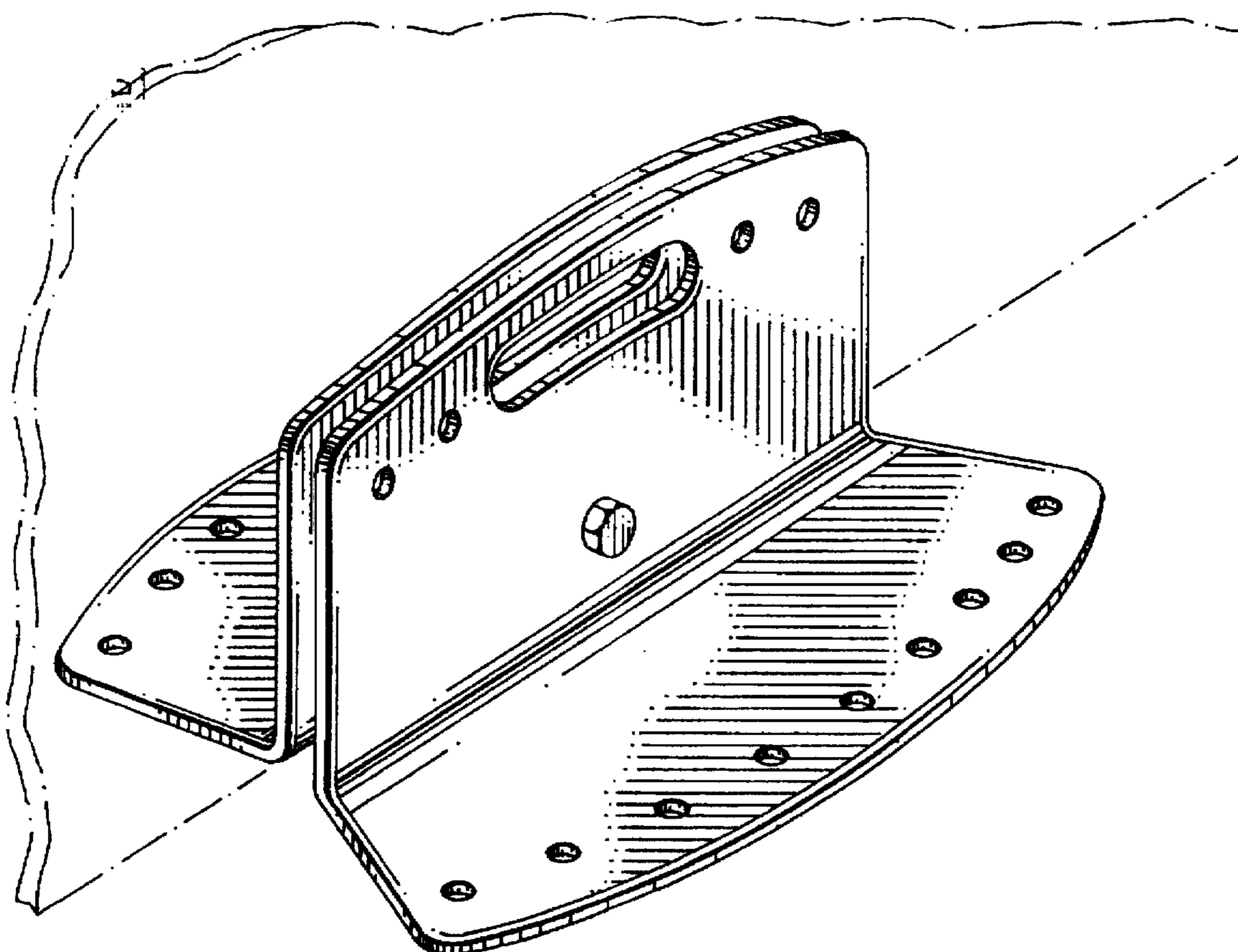
FIG. 2 is a left side elevational view, the right side being a mirror image;

FIG. 3 is a top plan view;

FIG. 4 is a bottom plan view; and,

FIG. 5 is a front elevational view, the rear elevational view being identical.

1 Claim, 1 Drawing Sheet



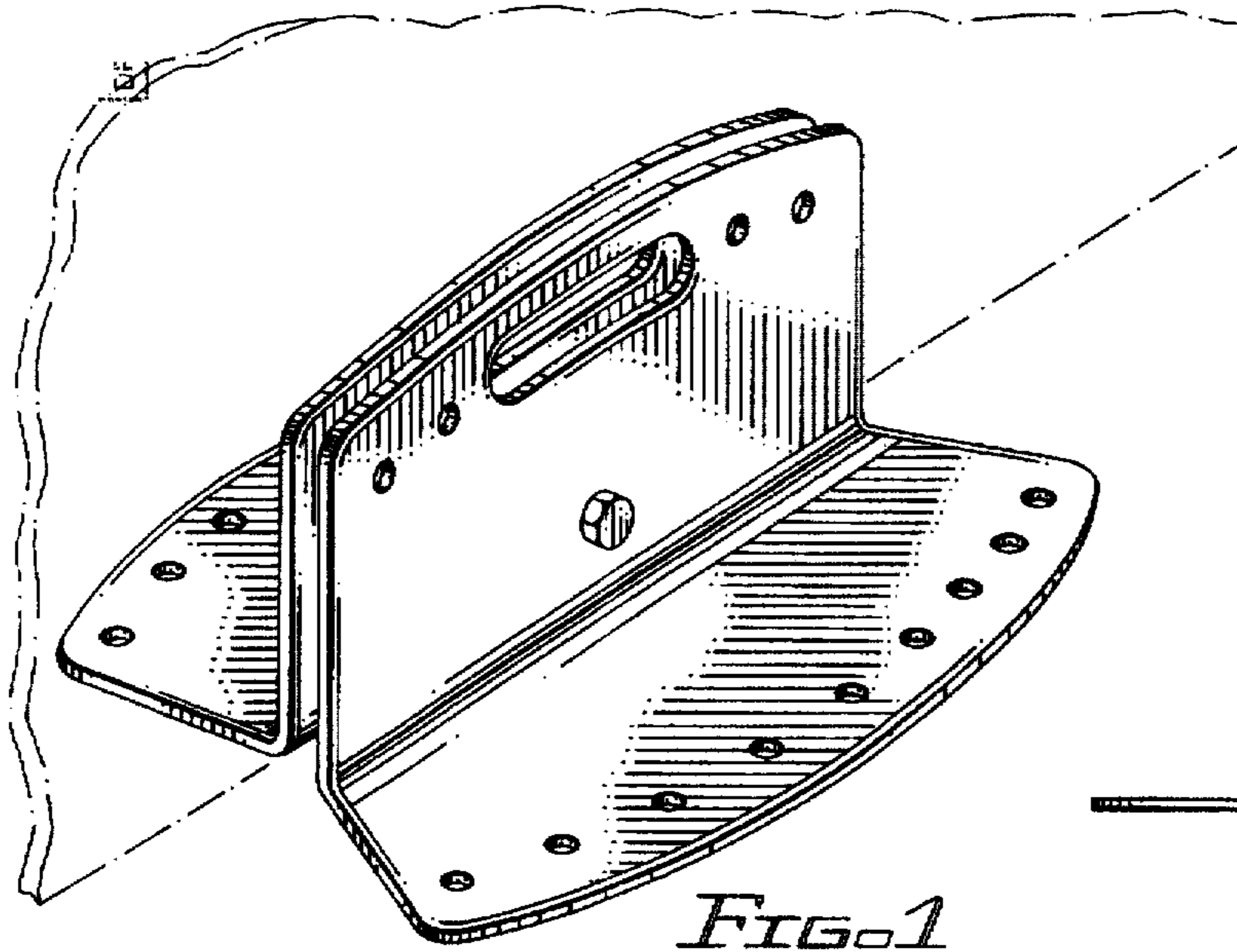


FIG. 1

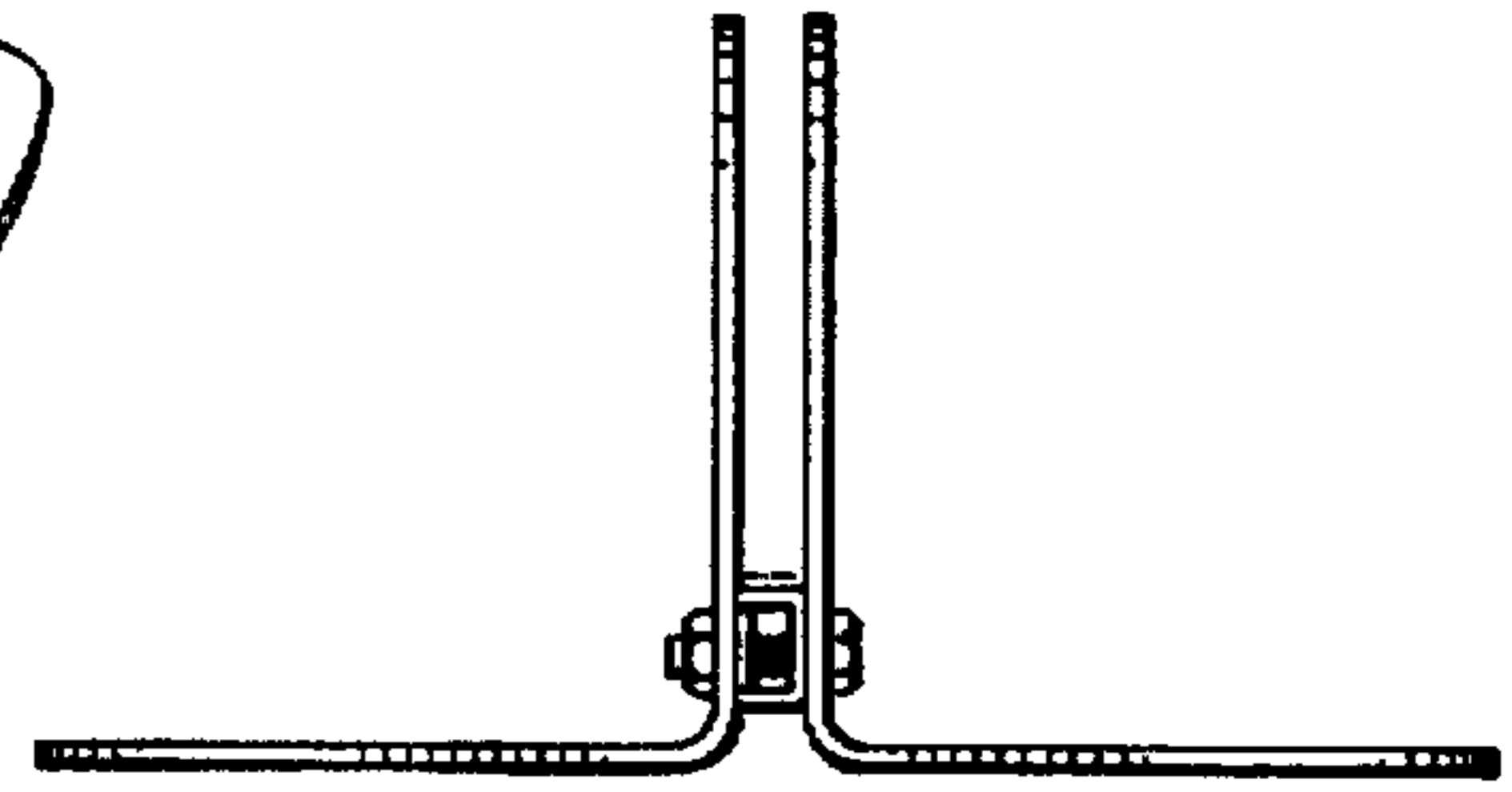


FIG. 2

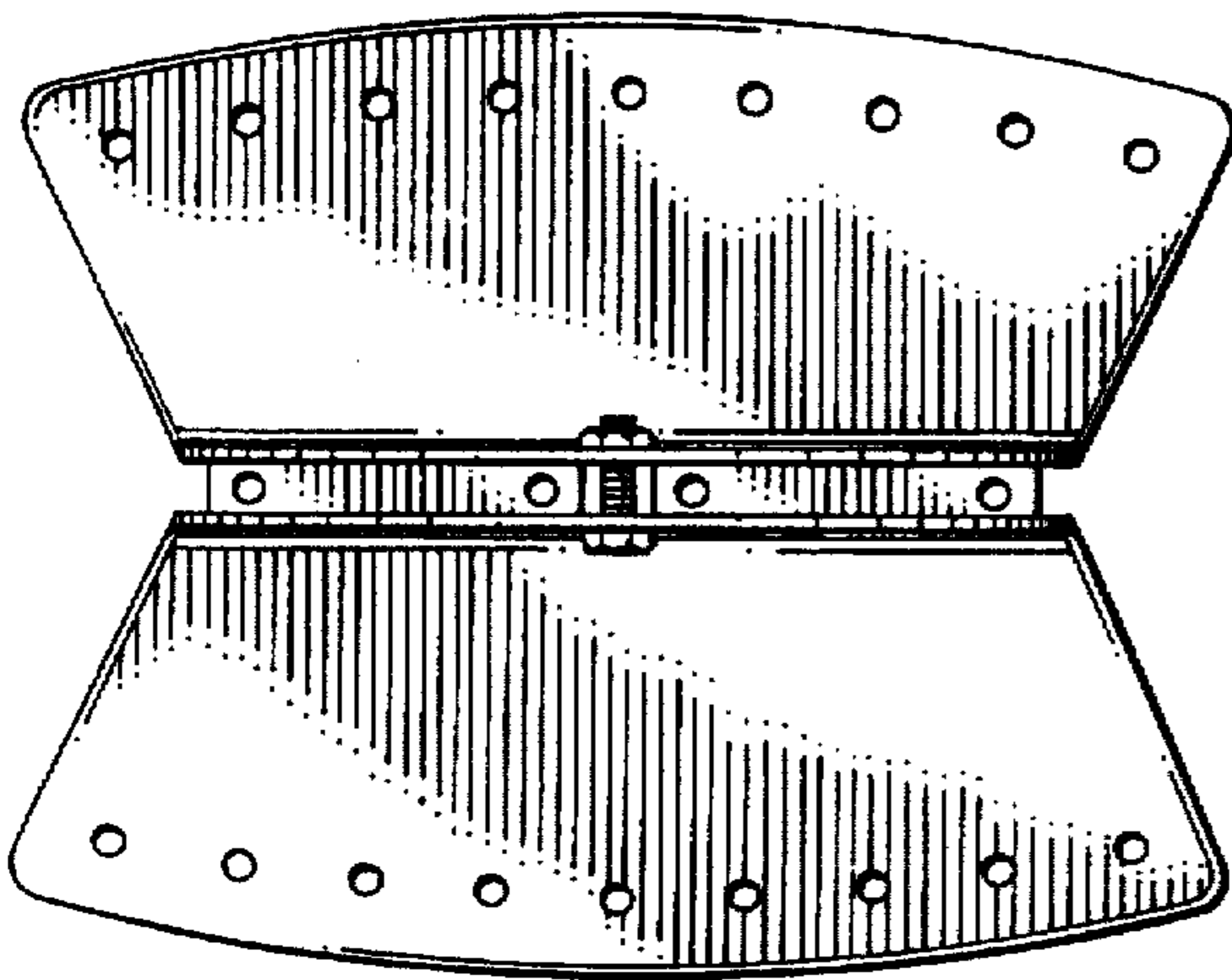


FIG. 3

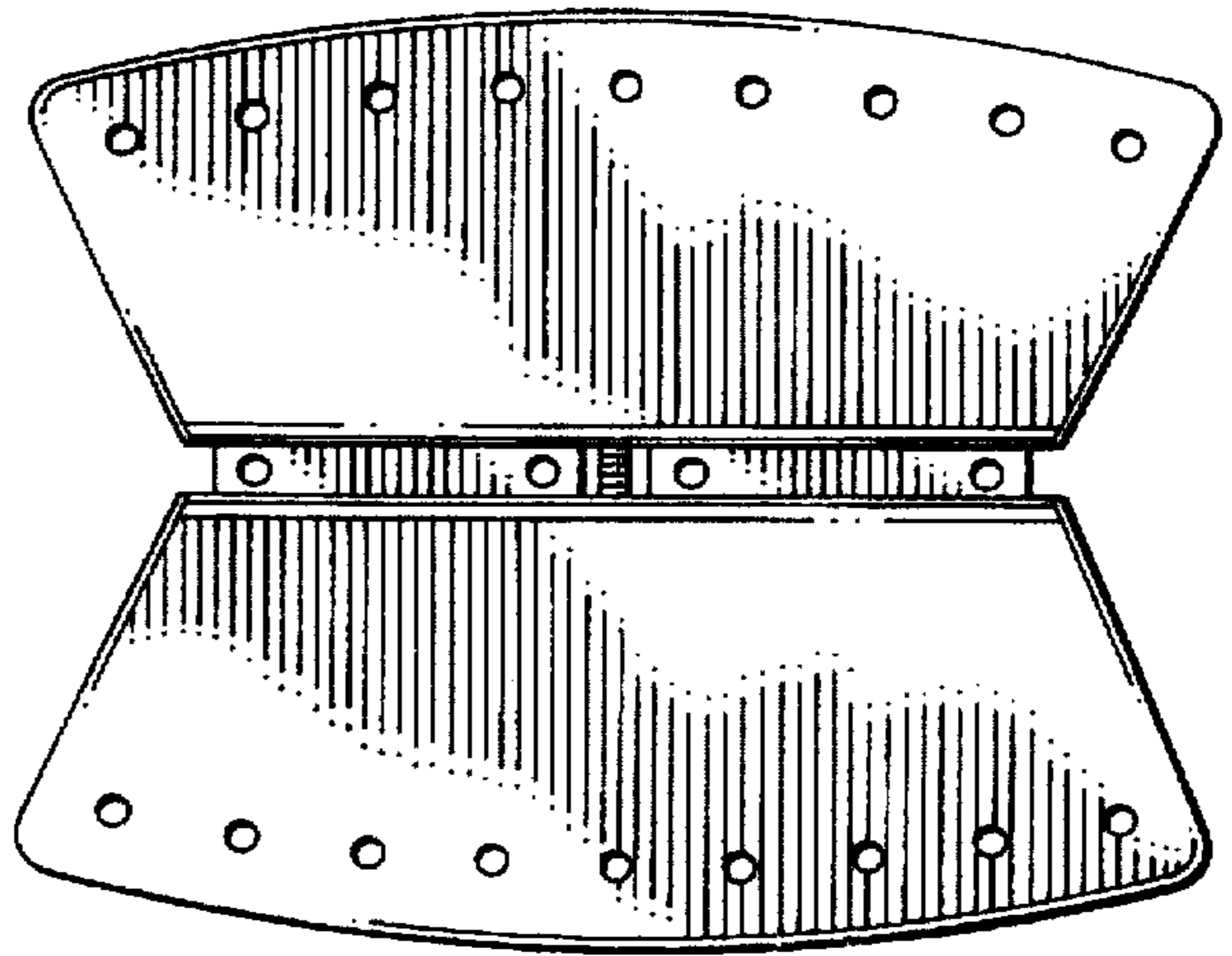


FIG. 4

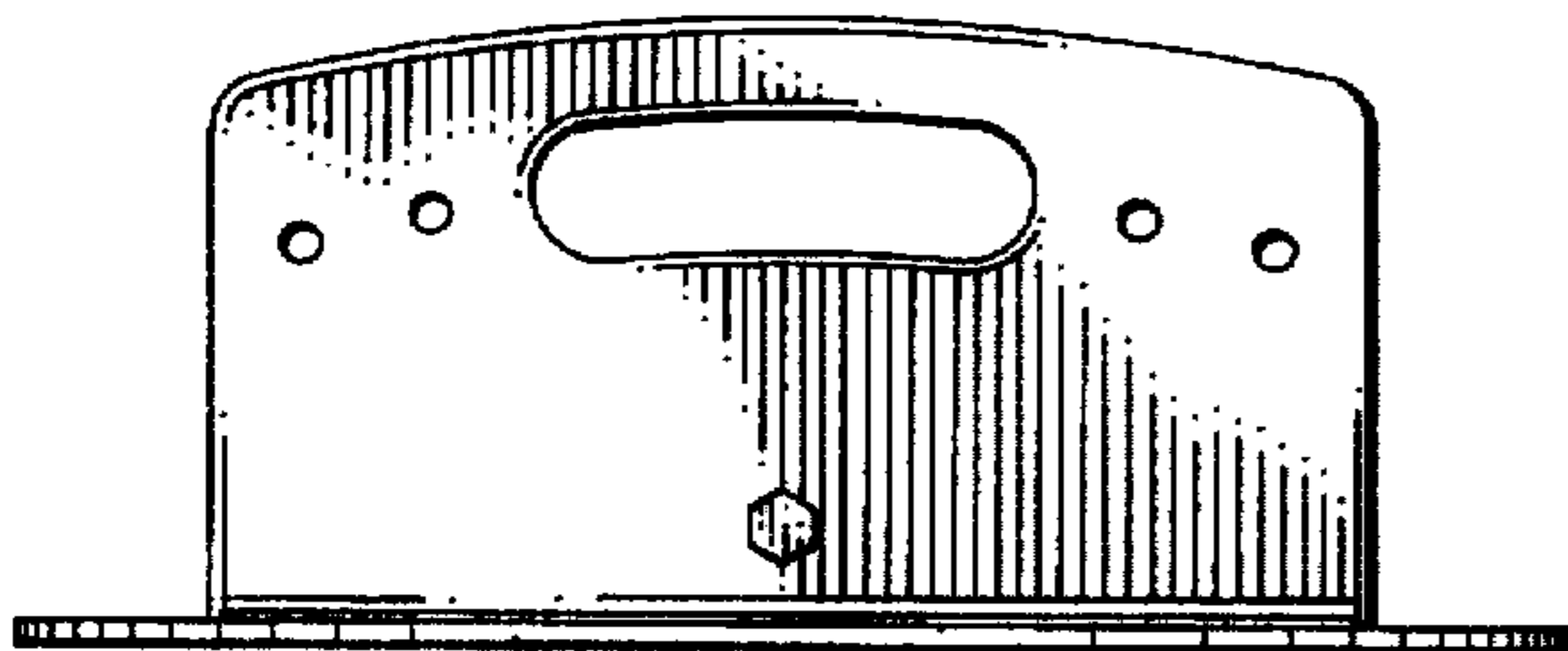


FIG. 5

UNITED STATES PATENT AND TRADEMARK OFFICE
CERTIFICATE OF CORRECTION

PATENT NO. : D.388,313
DATED : December 30, 1997
INVENTOR(S) : Douglas D. Benner et al.

It is certified that error appears in the above-identified patent and that said Letters Patent is hereby corrected as shown below:

On the title page, item [73],

"Assignee: Steelcase, Inc." should be --Assignee: Steelcase Inc.--.

Signed and Sealed this
Third Day of March, 1998



BRUCE LEHMAN

Commissioner of Patents and Trademarks

Attest:

Attesting Officer