



US00D388312S

United States Patent [19]

Sorkin

[11] Patent Number: Des. 388,312

[45] Date of Patent: ***Dec. 30, 1997

[54] CONSTRUCTION CHAIR

[76] Inventor: Felix L. Sorkin, 4115B Greenbriar Dr.
P.O. Box 1503, Stafford, Tex. 77477

[*] Notice: The portion of the term of this patent subsequent to Sep. 17, 2010, has been disclaimed.

[**] Term: 14 Years

[21] Appl. No.: 54,979

[22] Filed: May 28, 1996

[51] LOC (6) Cl. 08-05

[52] U.S. Cl. D8/354

[58] Field of Search D8/354; D25/134;
52/678, 677, 689, 685

[56] References Cited

U.S. PATENT DOCUMENTS

D. 271,847 12/1983 Hernandez D8/356

D. 324,643 3/1992 Turek et al. D8/356
D. 334,133 3/1993 Hartzheim D8/354
4,682,461 7/1987 Sizemore 52/689

Primary Examiner—Holly Baynham

[57] CLAIM

The ornamental design for a construction chair, as shown and described.

DESCRIPTION

FIG. 1 is a perspective view of a constructing chair showing my design;

FIG. 2 is a side elevational view thereof, the opposite side being a mirror image thereof;

FIG. 3 is an end elevational view thereof, the opposite end being a mirror image thereof;

FIG. 4 is a bottom view thereof; and,

FIG. 5 is a top view thereof.

1 Claim, 2 Drawing Sheets

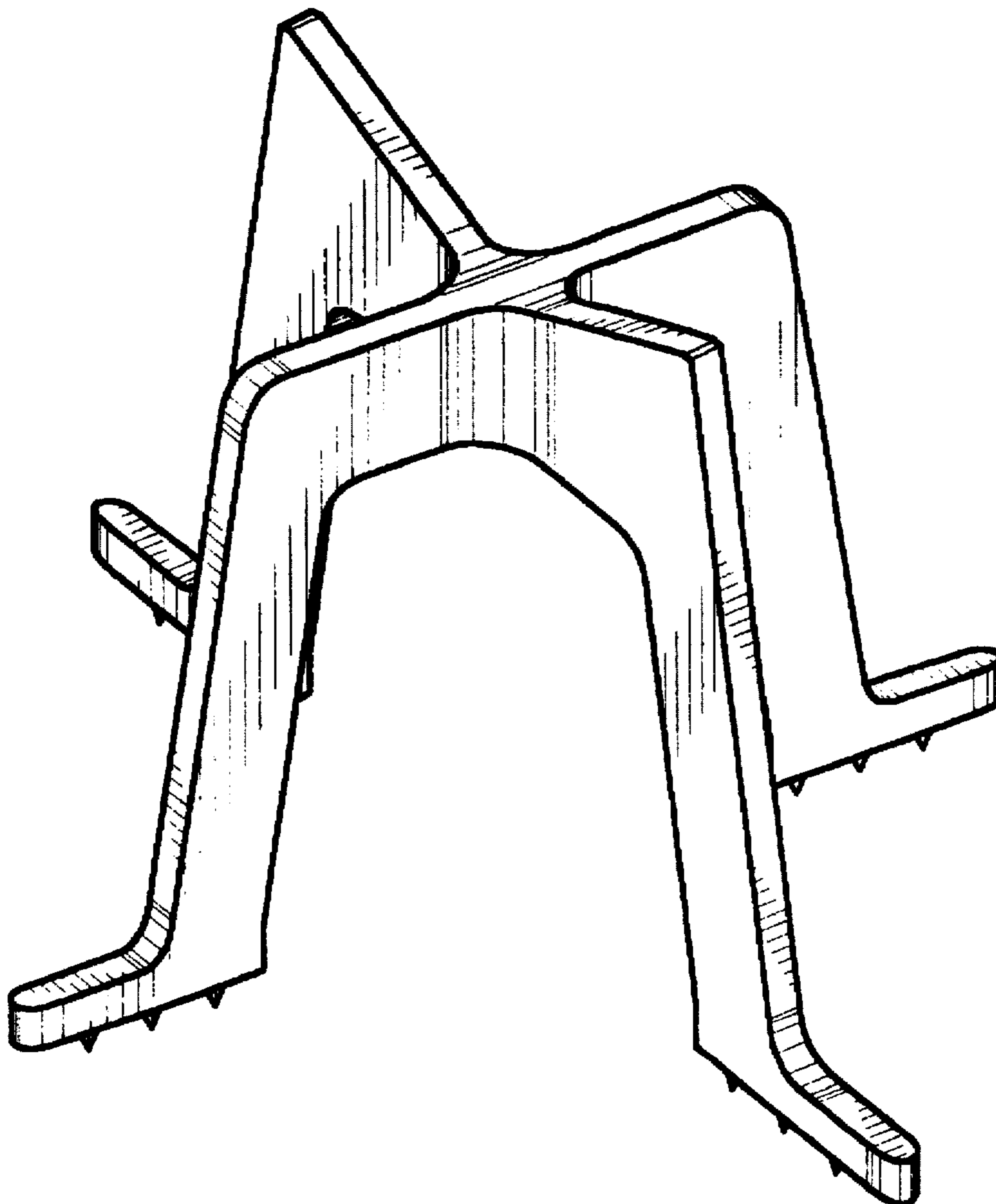


FIG. 1

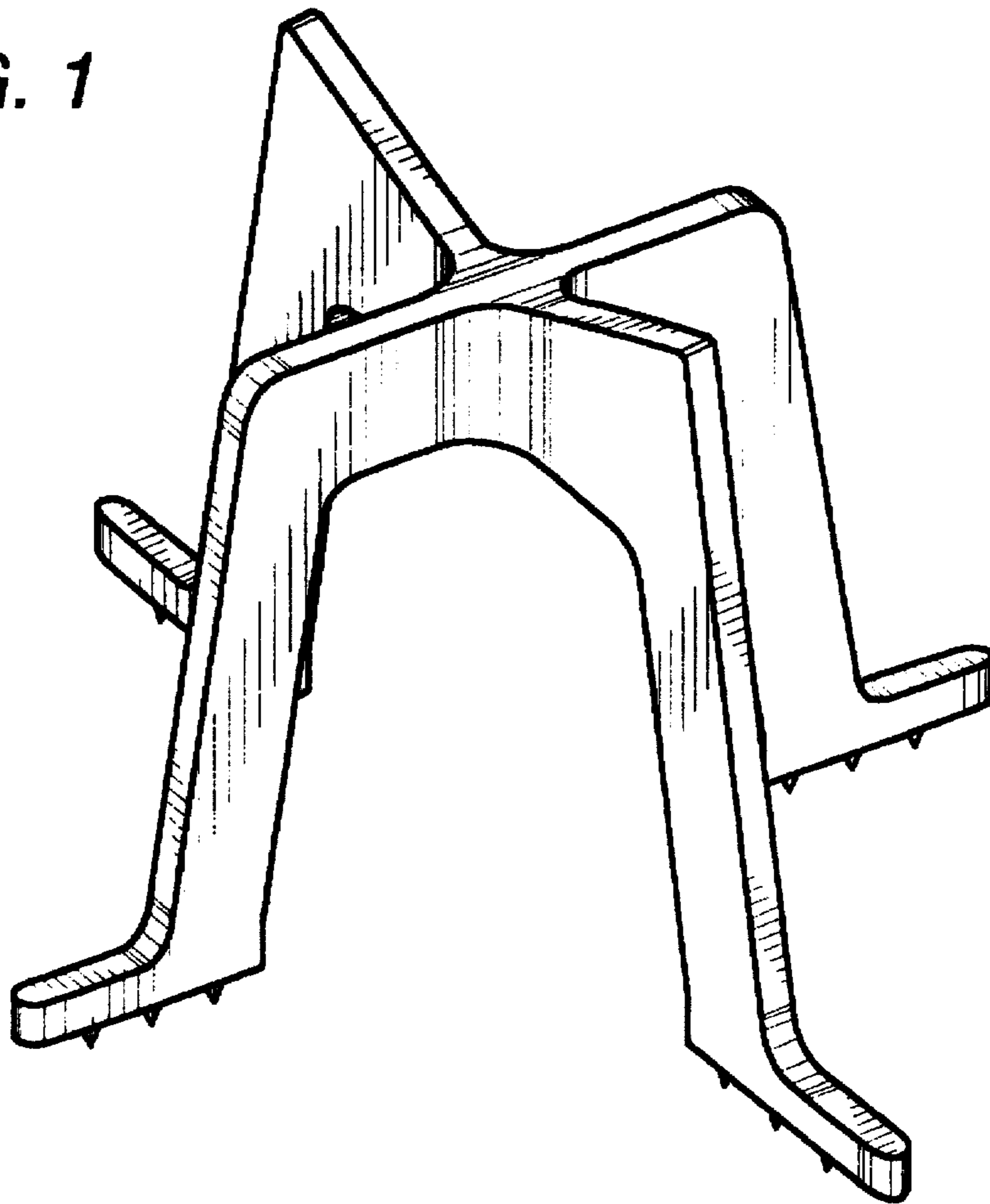


FIG. 2

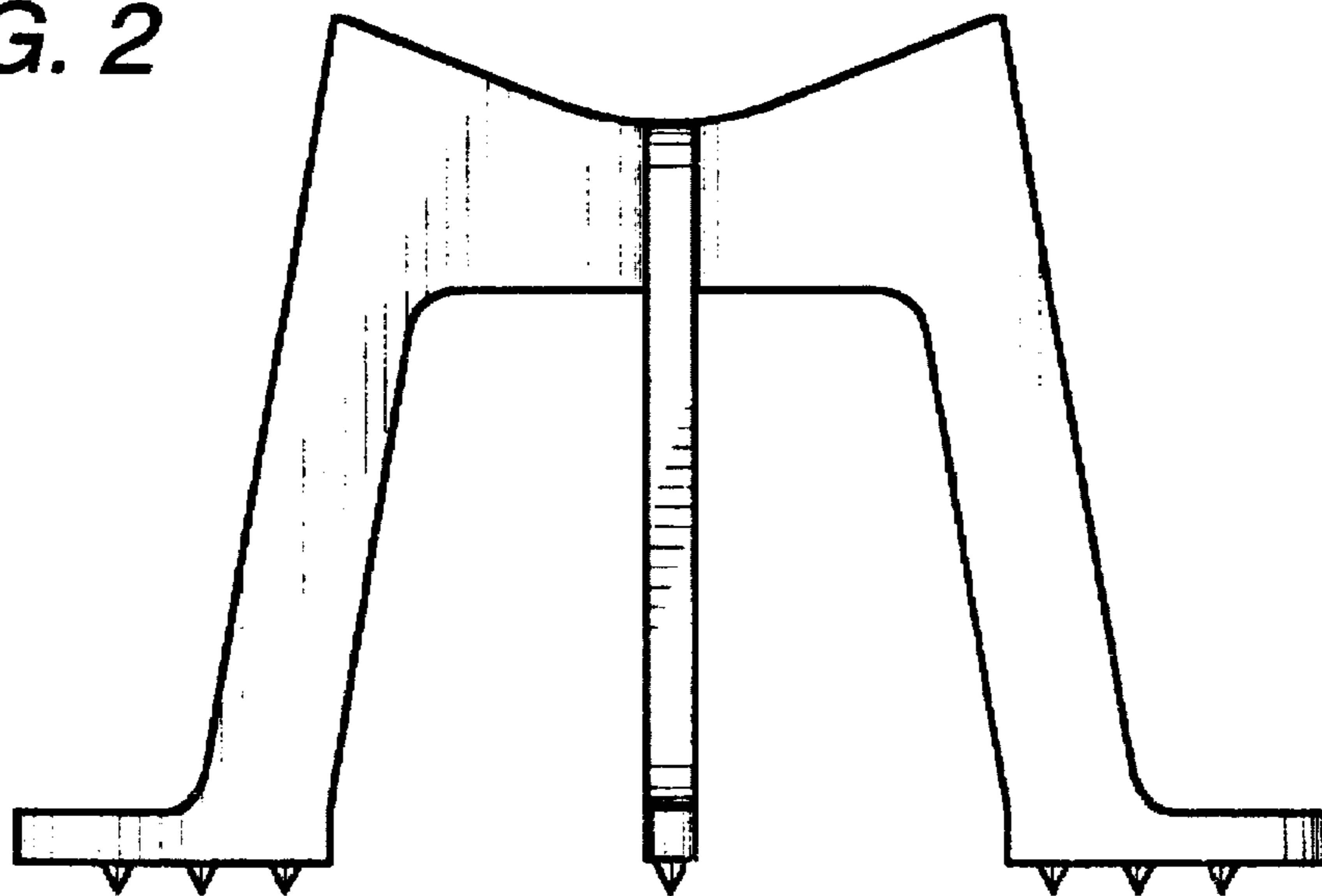


FIG. 3

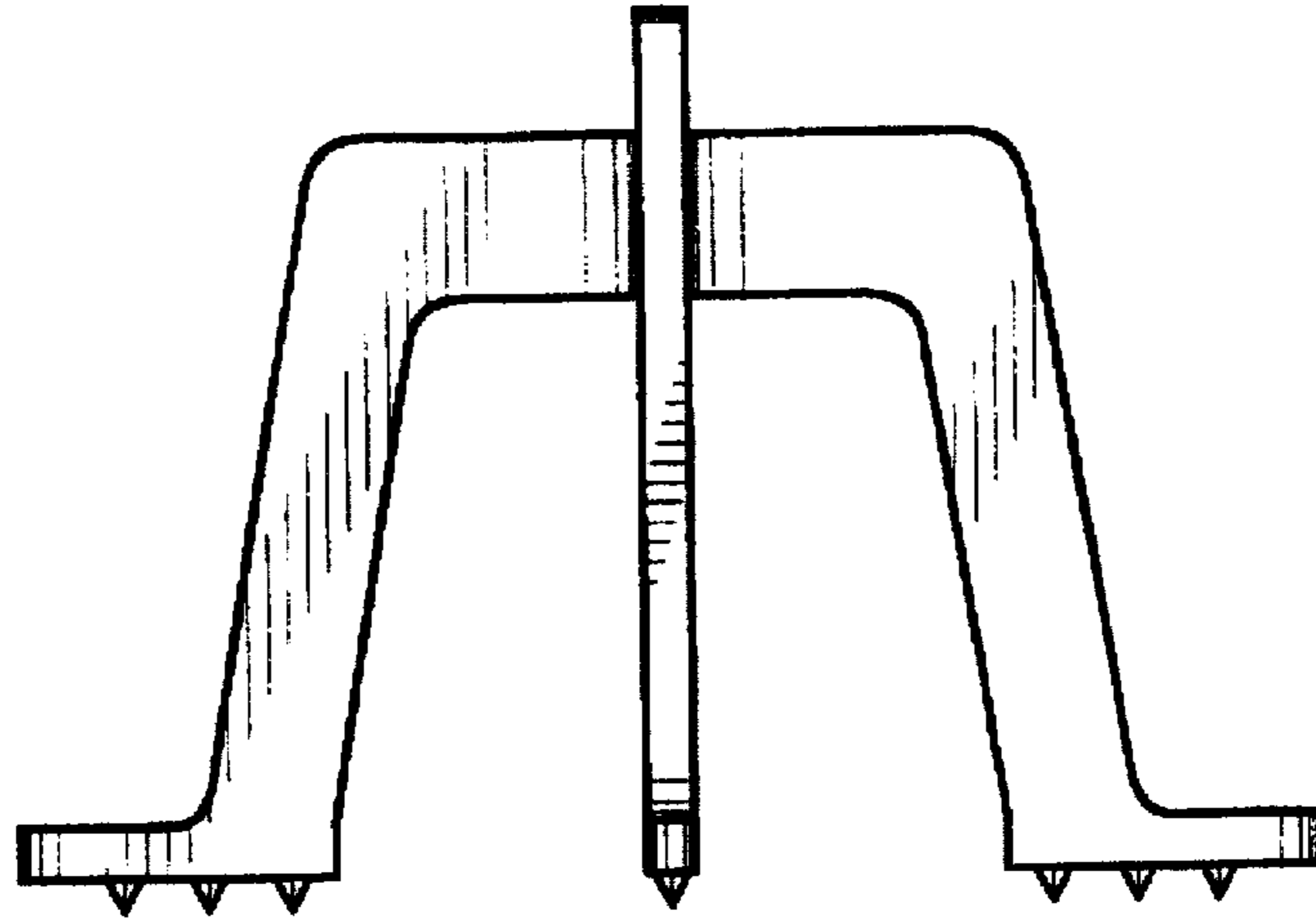


FIG. 4

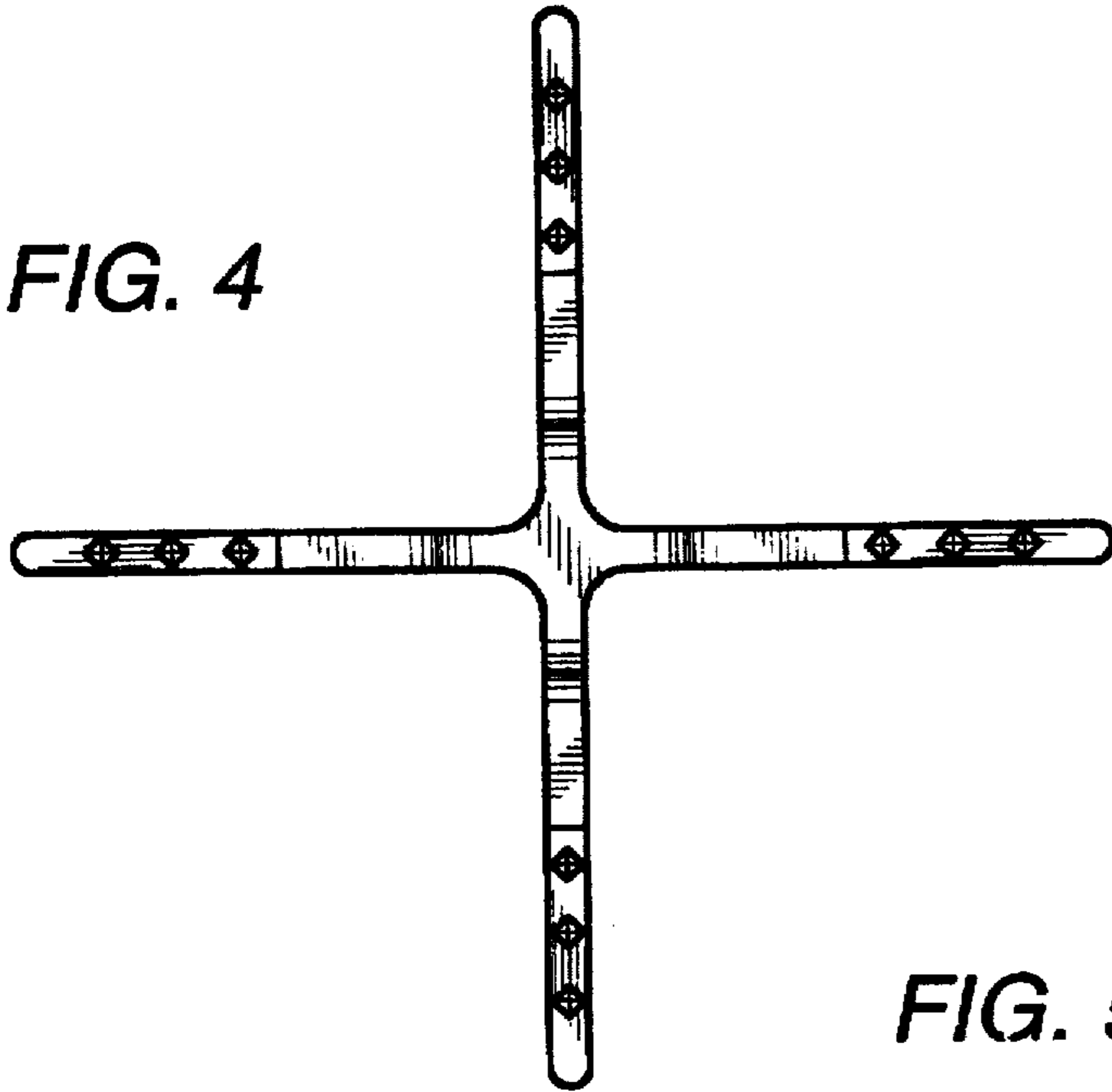


FIG. 5

