



US00D388308S

# United States Patent [19]

[11] Patent Number: **Des. 388,308**

Evans et al.

[45] Date of Patent: **\*\*Dec. 30, 1997**

[54] **ELECTRONIC COMBINATION LOCK HOUSING**

D. 366,822	2/1996	Brooks et al.	.....	D8/330
4,665,727	5/1987	Ulyeda	.....	70/279
4,671,086	6/1987	Fogelman et al.	.....	70/277

[75] Inventors: **Walter Reed Evans; Edward Ellett Pollard**, both of Lexington; **Raymond Herman Reichenbach, Salvisa; Larry Joe Rice**, Nicholasville, all of Ky.

*Primary Examiner*—Brian N. Vinson  
*Attorney, Agent, or Firm*—Laurence R. Letson

[73] Assignee: **Mas-Hamilton Group**, Lexington, Ky.

[57] **CLAIM**

[\*\*] Term: **14 Years**

The ornamental design for an electronic combination lock housing, as shown and described.

[21] Appl. No.: **63,997**

**DESCRIPTION**

[22] Filed: **Dec. 20, 1996**

FIG. 1 is a left elevated perspective view of our first embodiment of an electronic combination lock housing showing our new design;

[51] LOC (6) Cl. .... **08-07**

FIG. 2 is a right depressed perspective view of a first and second embodiment thereof;

[52] U.S. Cl. .... **D8/330**

[58] Field of Search ..... D8/330, 331, 332, D8/343; D10/104, 106, 109; 70/277, 279, 287, 288, 214, 133

FIG. 3 is a front elevational view of the first and second embodiment thereof;

FIG. 4 is a left elevational perspective view of the second embodiment thereof; and,

FIG. 5 is a rear elevational view of both embodiments thereof.

[56] **References Cited**

**U.S. PATENT DOCUMENTS**

D. 302,788 8/1989 McGourty et al. .... D8/343

**1 Claim, 2 Drawing Sheets**

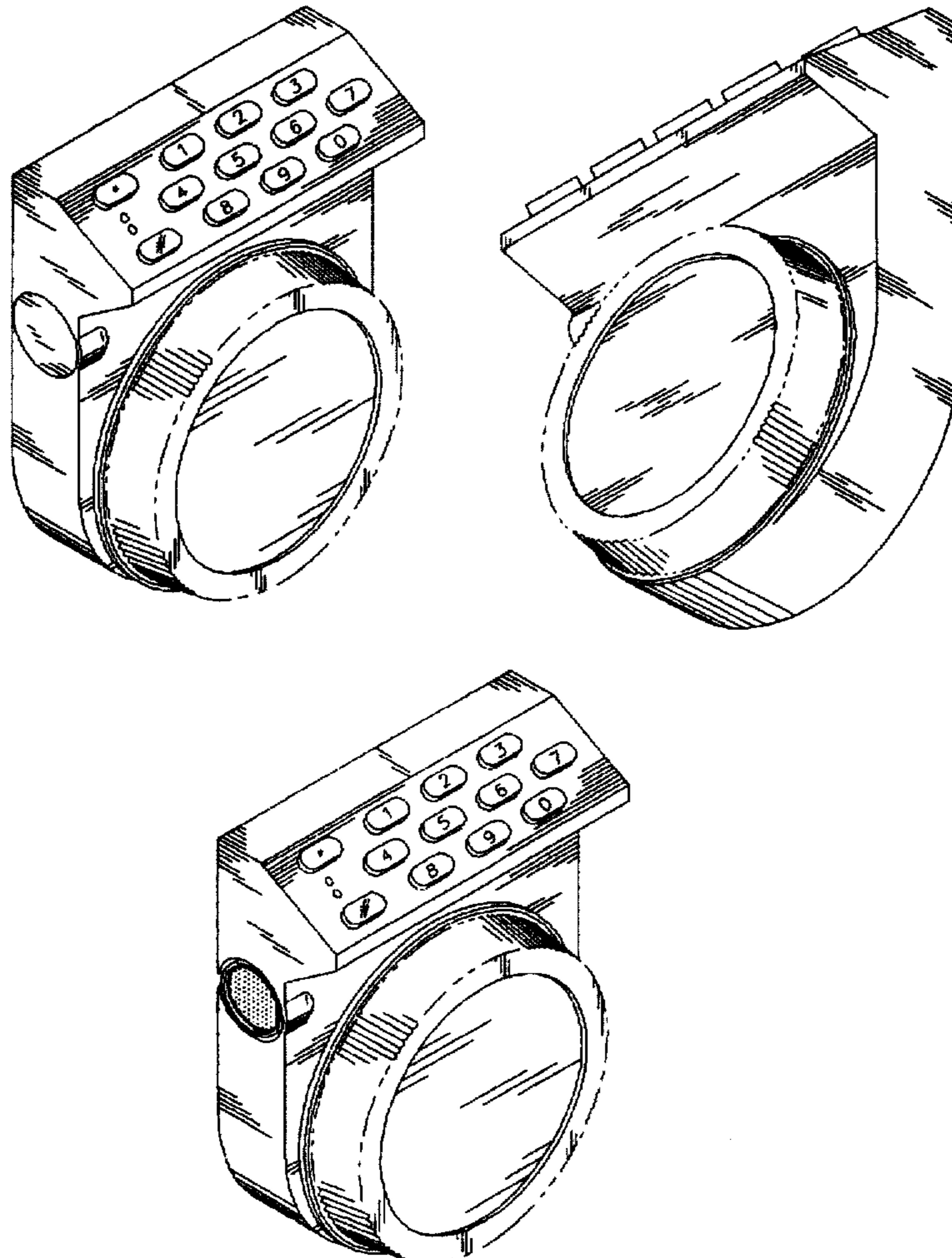


FIG. 1

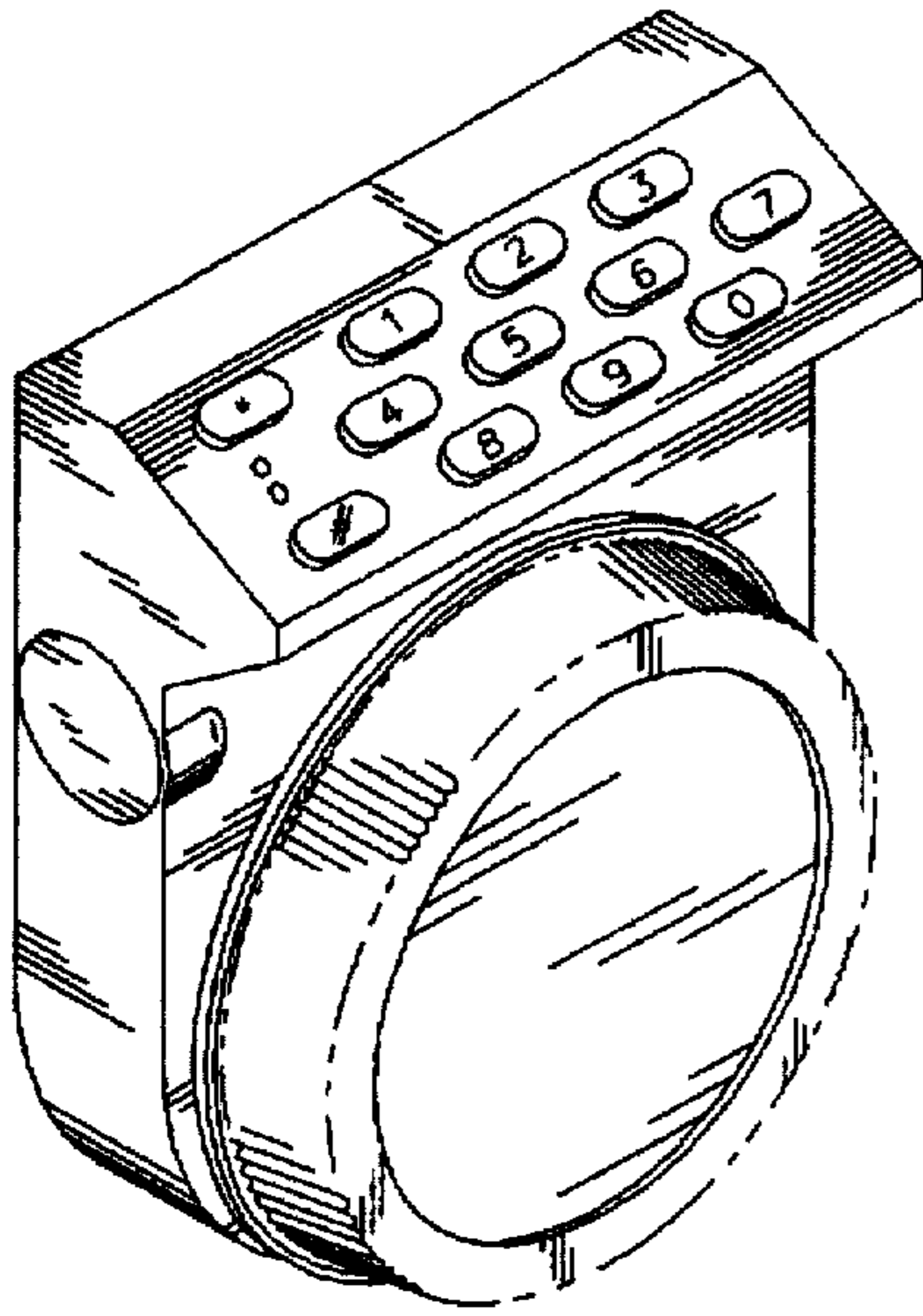


FIG. 2

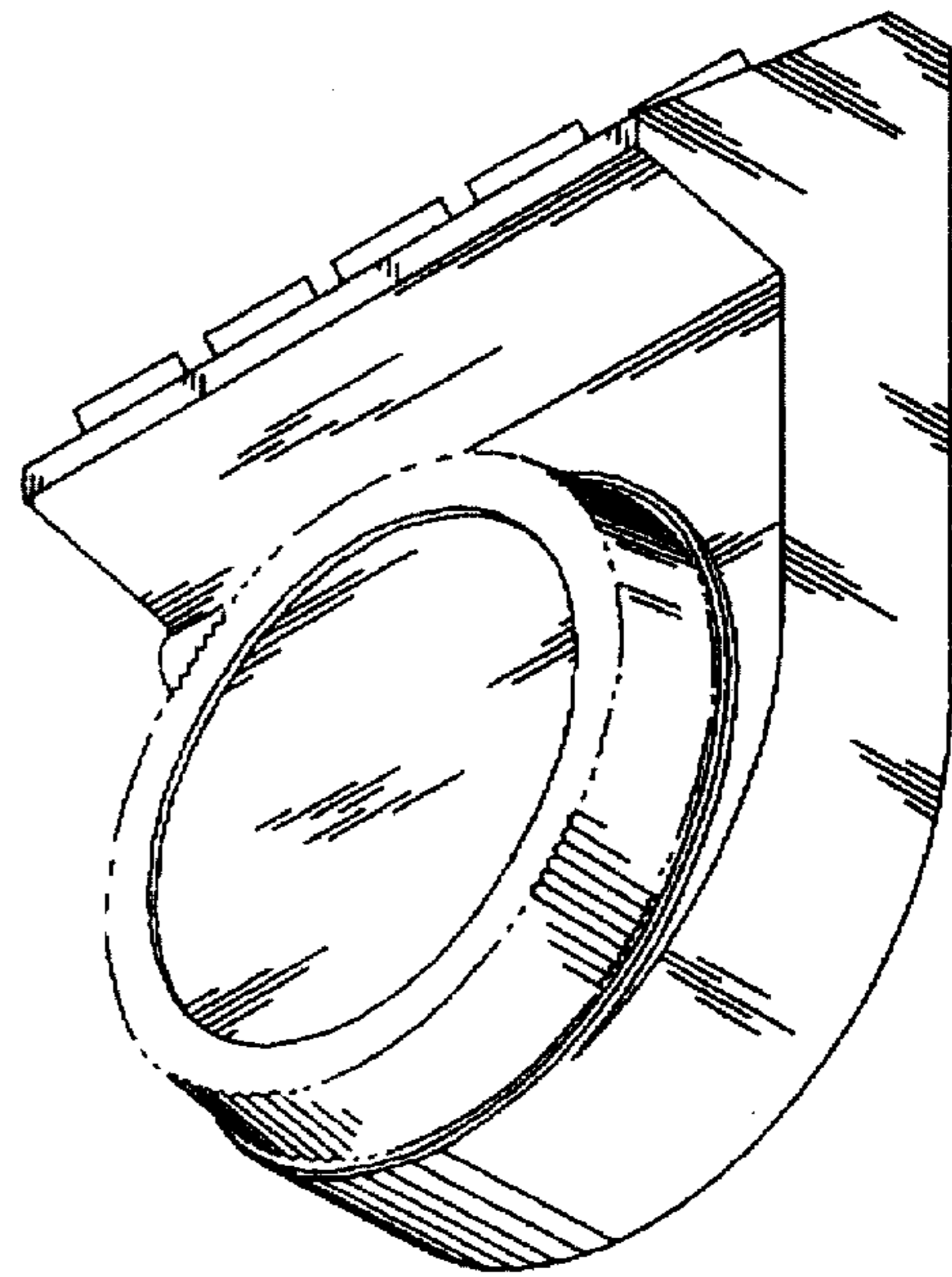


FIG. 3

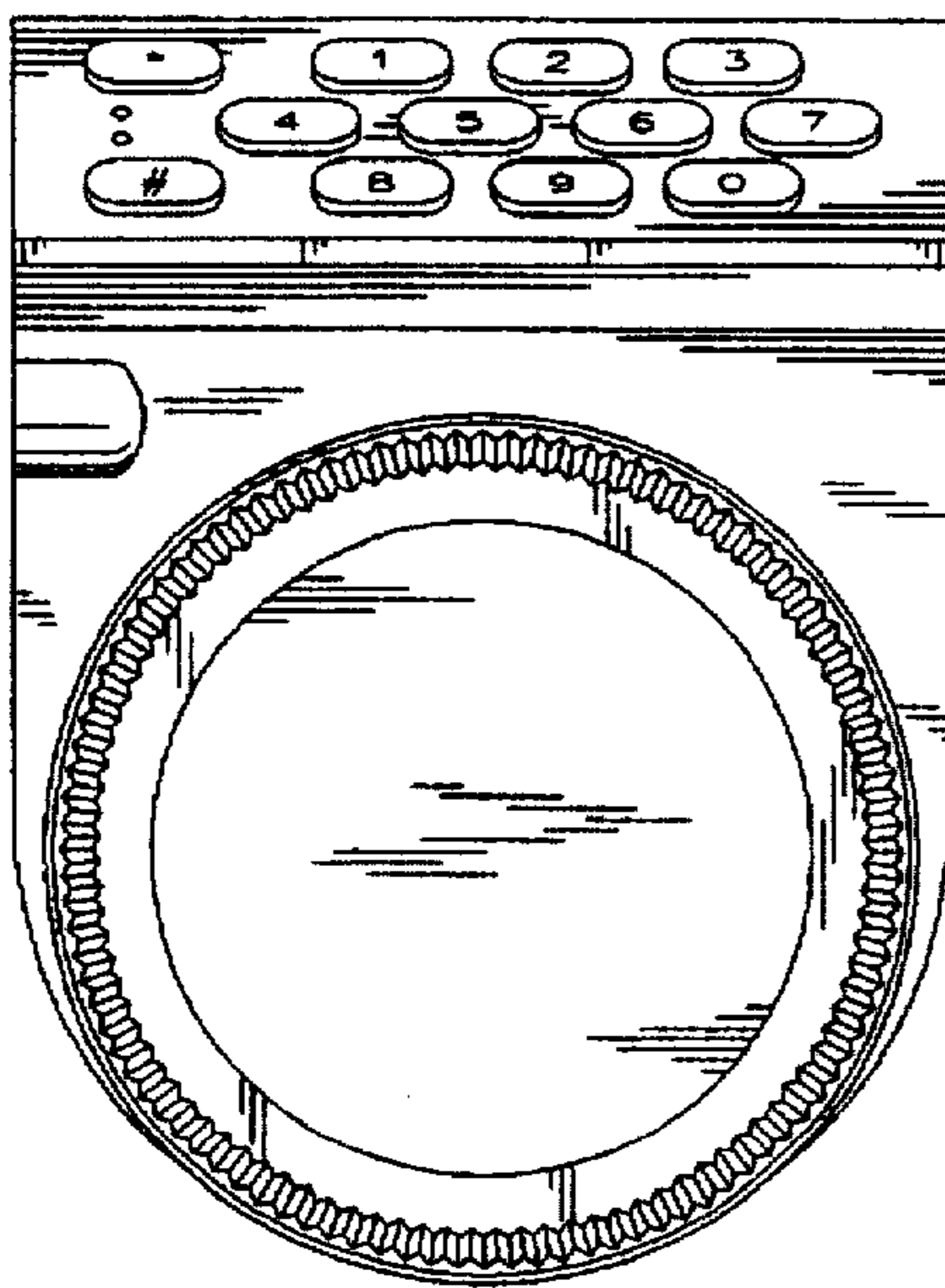


FIG. 4

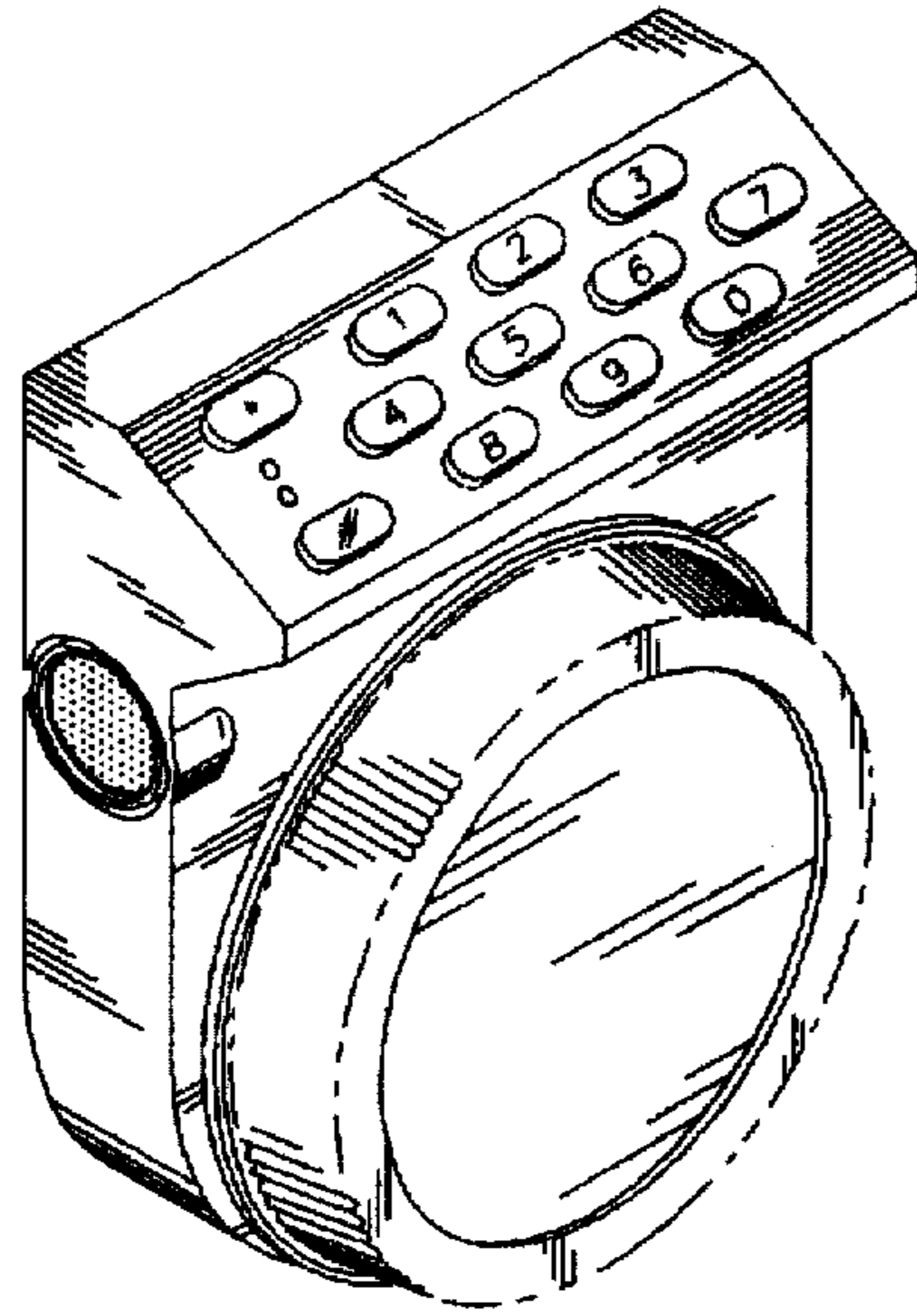


FIG. 5

